



US00D431265S

United States Patent [19]

[11] **Patent Number: Des. 431,265**

Herbst

[45] **Date of Patent: ** Sep. 26, 2000**

[54] **SIGN**

D. 322,096	12/1991	Adams	D20/41
938,710	11/1909	Russell	40/479
939,768	11/1909	Whiteside	40/479
2,833,065	5/1958	Kies	40/479
3,135,063	6/1964	Ricks	D20/21
4,353,179	10/1982	Jennings	40/479

[75] Inventor: **Yaacov T. Herbst**, Bnei Braq, Israel

[73] Assignee: **Park Media, Ltd.**, Staten Island, N.Y.

[**] Term: **14 Years**

Primary Examiner—Marcus A. Jackson

[21] Appl. No.: **29/114,376**

[57] **CLAIM**

[22] Filed: **Nov. 22, 1999**

The ornamental design for a sign, as shown and described.

[30] **Foreign Application Priority Data**

DESCRIPTION

Aug. 3, 1999	[IL]	Israel	32056
Aug. 3, 1999	[IL]	Israel	32057

FIG. 1 is a top, left, front perspective view of a sign showing our new design;

[51] **LOC (7) Cl.** **19-08**

FIG. 2 is a top plan view thereof;

[52] **U.S. Cl.** **D20/10**

FIG. 3 is a left side elevational view thereof;

[58] **Field of Search** D20/10, 17, 21,
D20/41; 40/33, 44, 124, 124.1, 152.1, 479;
229/8, 23 R

FIG. 4 is a left side elevational view thereof; and,

FIG. 5 is a bottom plan view thereof.

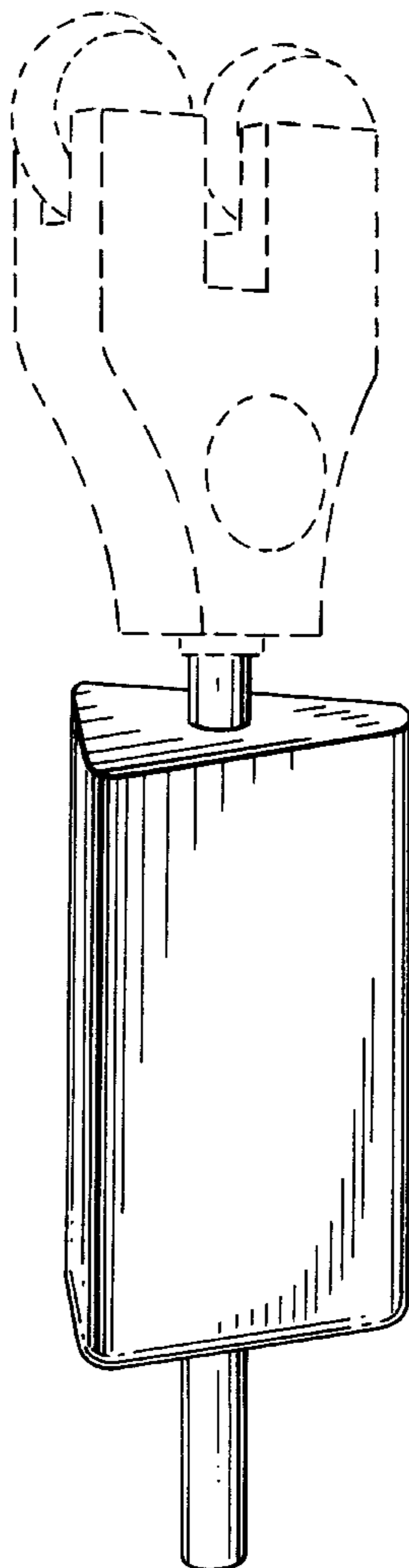
The subject matter shown in broken line represents unclaimed environmental structure which is shown for illustrative purposes and forms no part of the claimed design.

[56] **References Cited**

U.S. PATENT DOCUMENTS

D. 305,778	1/1990	Caulk	D20/21
------------	--------	-------	-------	--------

1 Claim, 2 Drawing Sheets



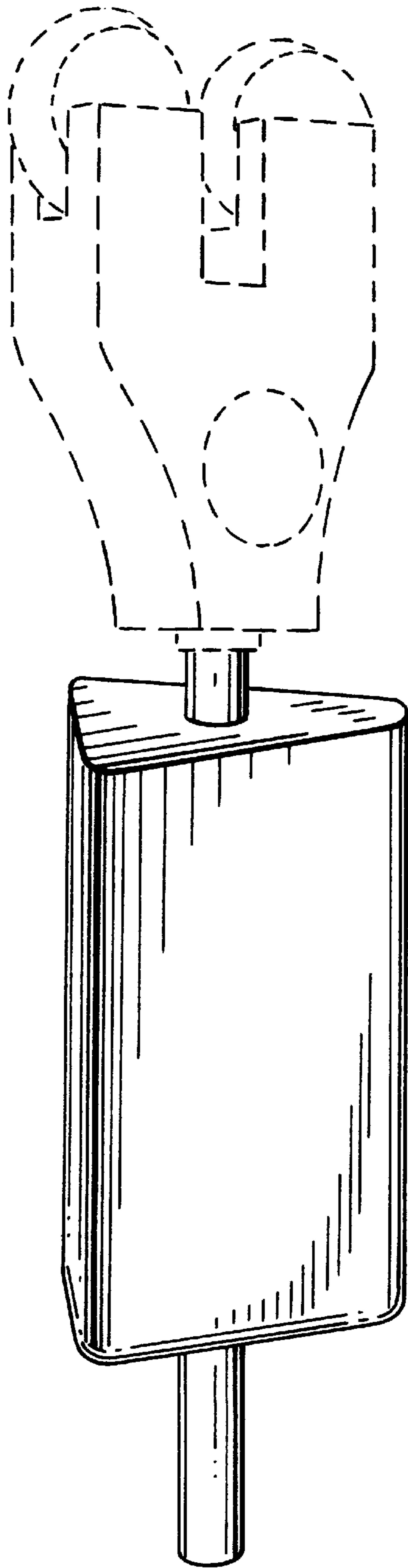


FIG. 1

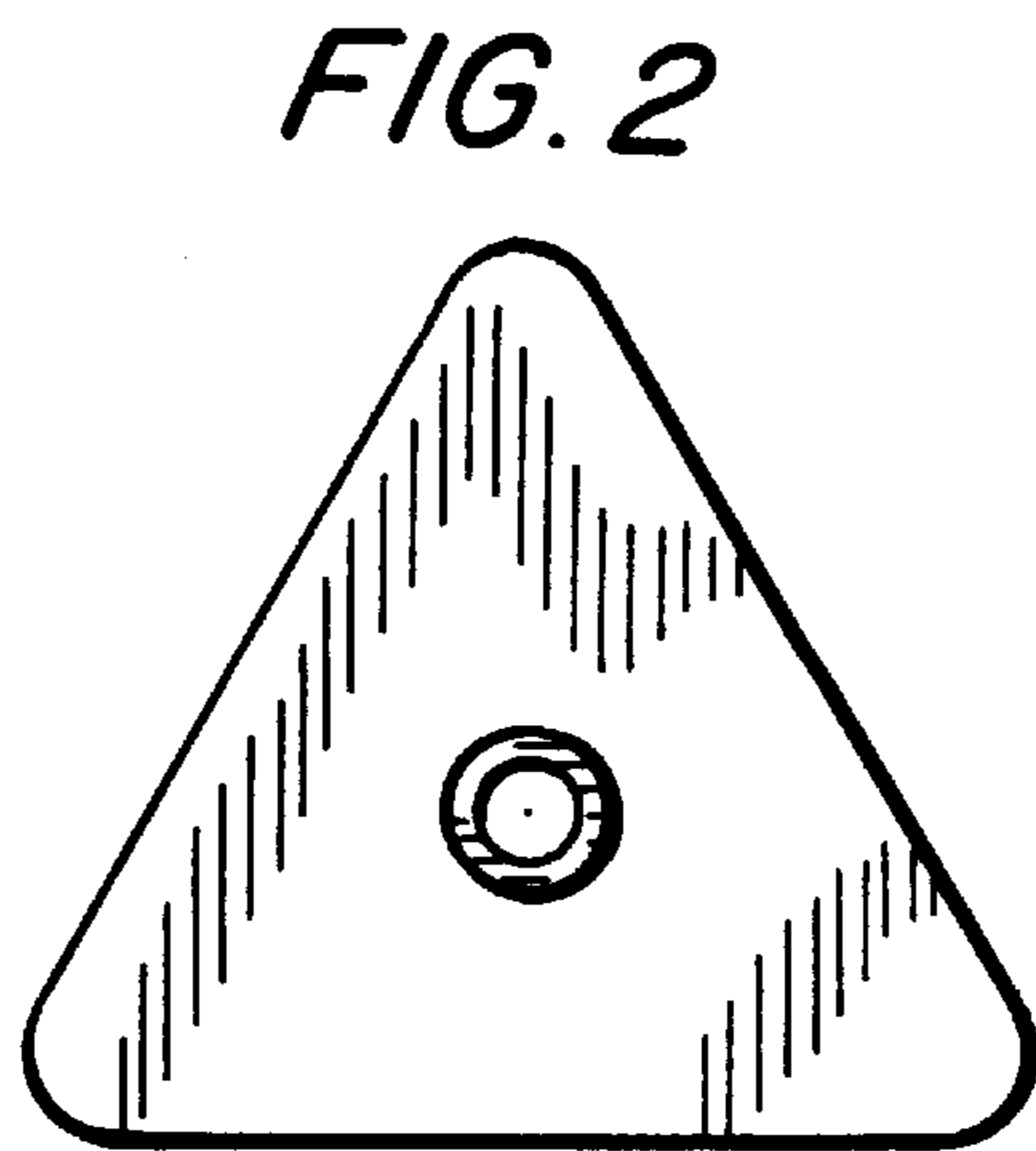


FIG. 2

FIG. 3

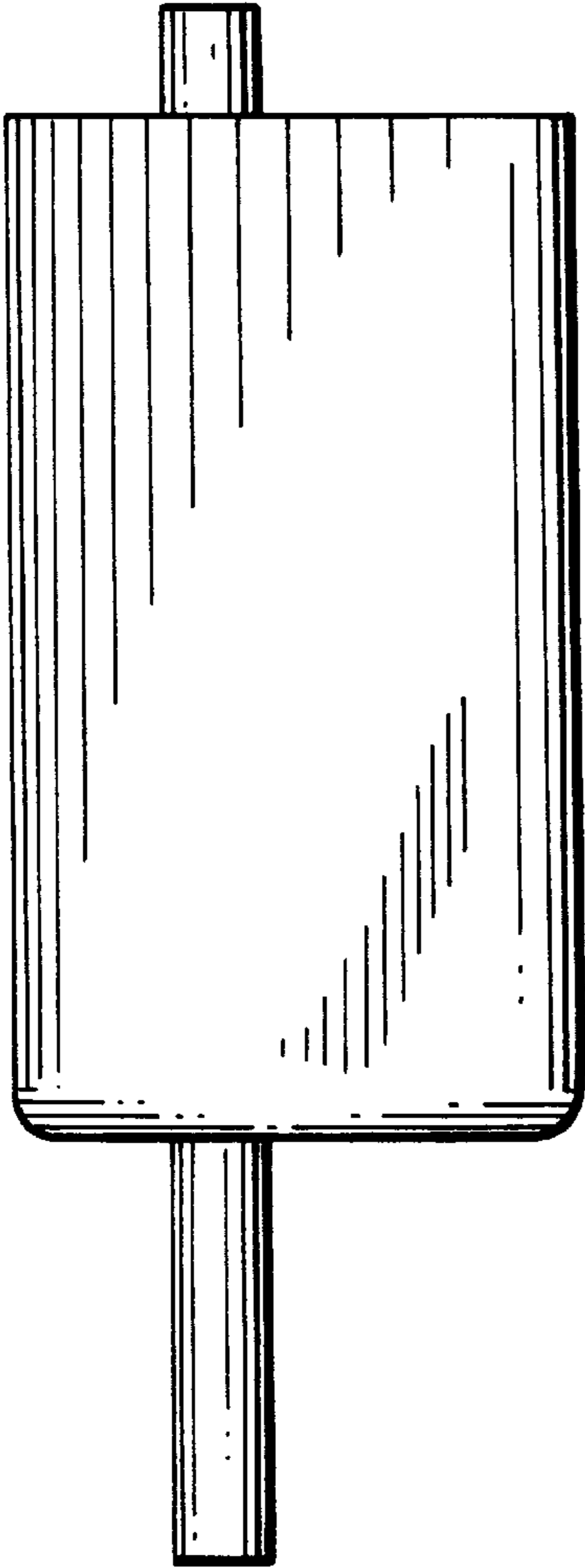


FIG. 4

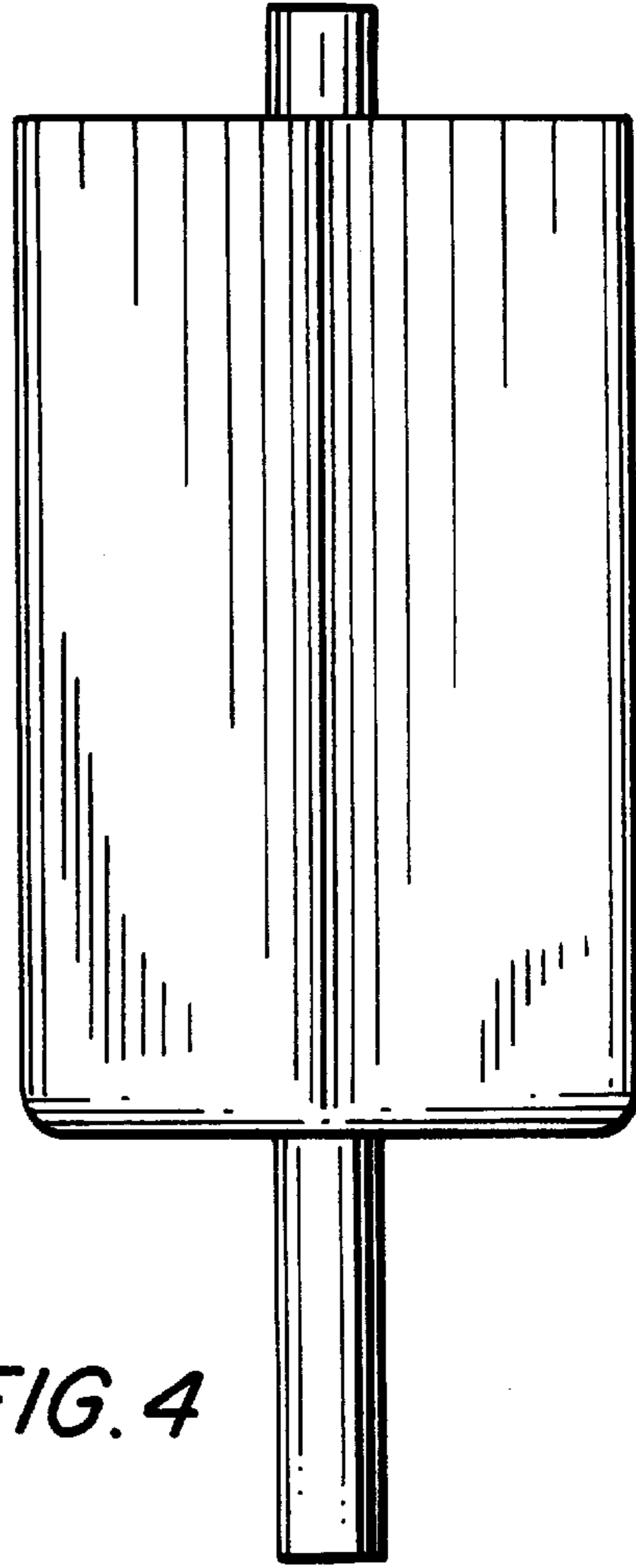


FIG. 5

