



US00D431263S

United States Patent [19] Greenhouse

[11] **Patent Number: Des. 431,263**

[45] **Date of Patent: ** Sep. 26, 2000**

[54] **COSMETIC PENCIL SHARPENER**

2,642,044	6/1953	Mussguller	30/452
3,221,709	12/1965	Montemayor	30/457
4,248,283	2/1981	Kaye	30/454

[76] Inventor: **Albert Greenhouse**, 14756 Wildflower La., Delray Beach, Fla. 33446

[**] Term: **14 Years**

Primary Examiner—Martie K. Holtje
Attorney, Agent, or Firm—Robert M. Downey, P.A.

[21] Appl. No.: **29/117,460**

[57] **CLAIM**

[22] Filed: **Jan. 25, 2000**

The ornamental design for a cosmetic pencil sharpener, as shown and described.

[51] **LOC (7) Cl.** **19-06**

DESCRIPTION

[52] **U.S. Cl.** **D19/73**

[58] **Field of Search** D19/65, 73, 74,
D19/72, 95, 99, 100; 144/28.1, 28.11, 28.2–28.7,
28.72, 28.8, 28.9, 30; 30/451–462

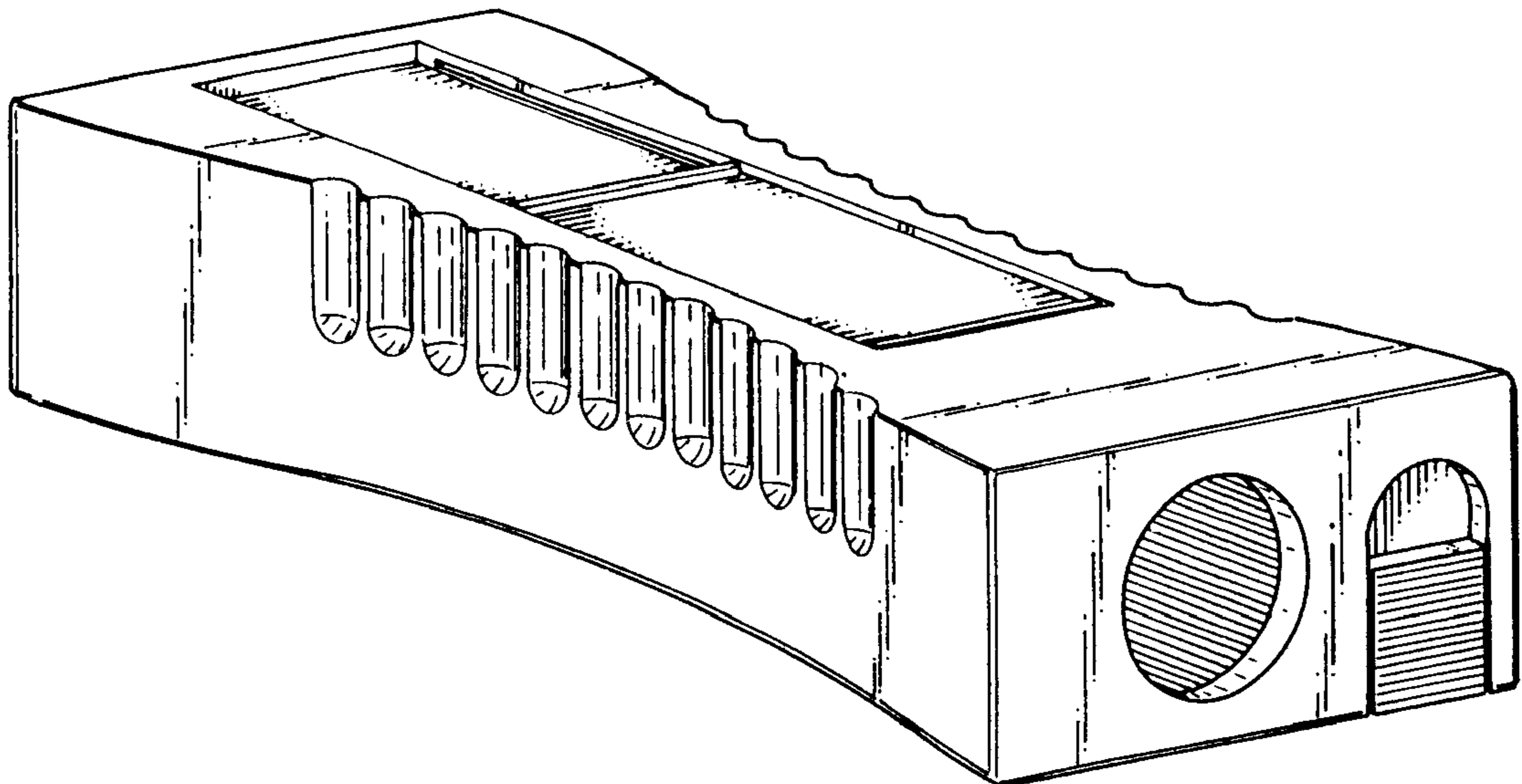
FIG. 1 is a front top perspective view of a cosmetic pencil sharpener showing my new design;
FIG. 2 is a top plan view thereof;
FIG. 3 is a bottom plan view thereof;
FIG. 4 is a left side elevational view thereof, the right side elevational view being identical thereto;
FIG. 5 is a front elevational view thereof; and,
FIG. 6 is a rear elevational view thereof.

[56] **References Cited**

U.S. PATENT DOCUMENTS

D. 146,197	1/1947	Staab	D19/73
D. 241,743	10/1976	Lemieux	D19/73
557,670	4/1896	Hales	30/452
1,479,921	1/1924	Miller	30/457

1 Claim, 2 Drawing Sheets



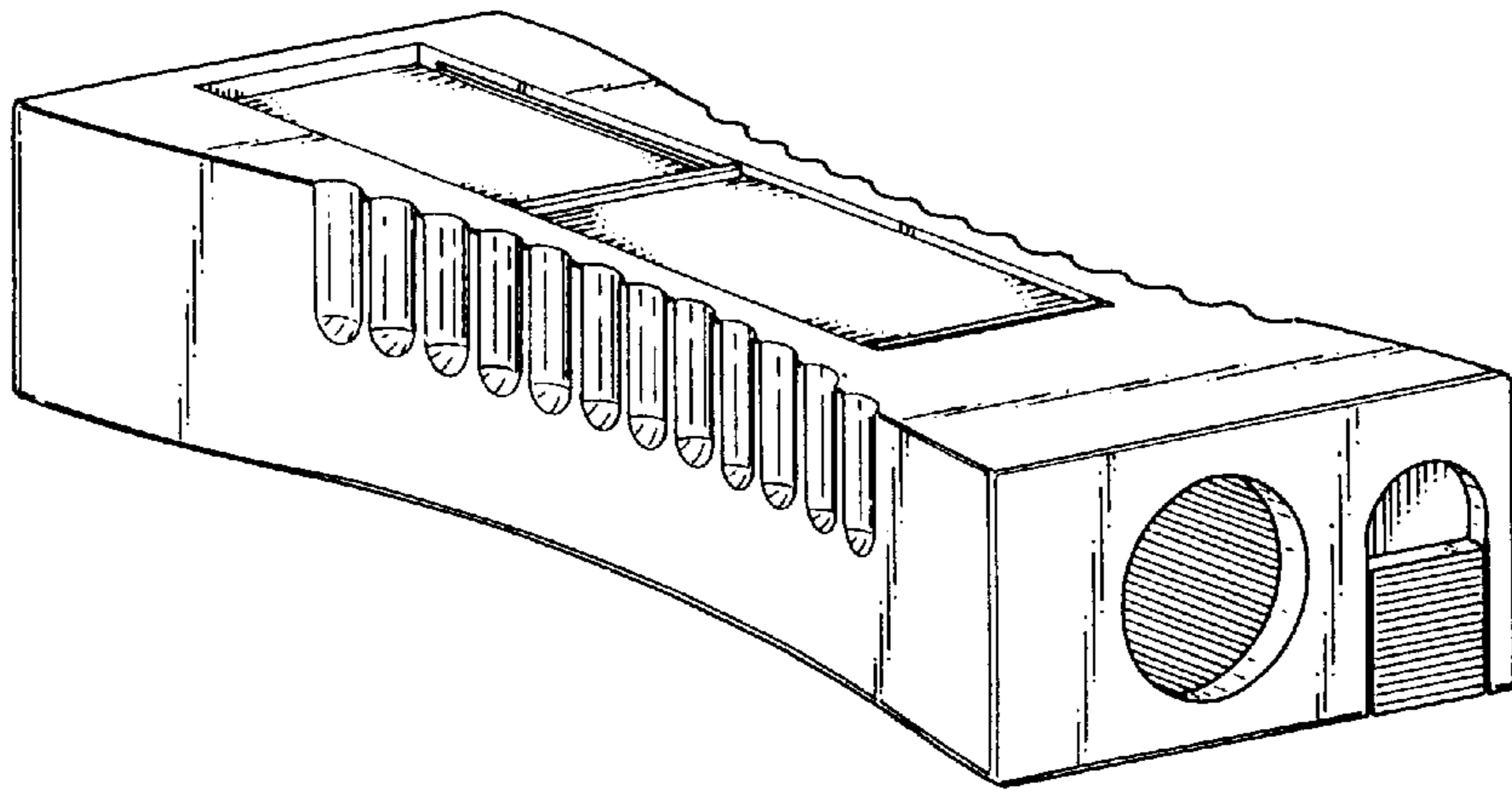


FIG. 1

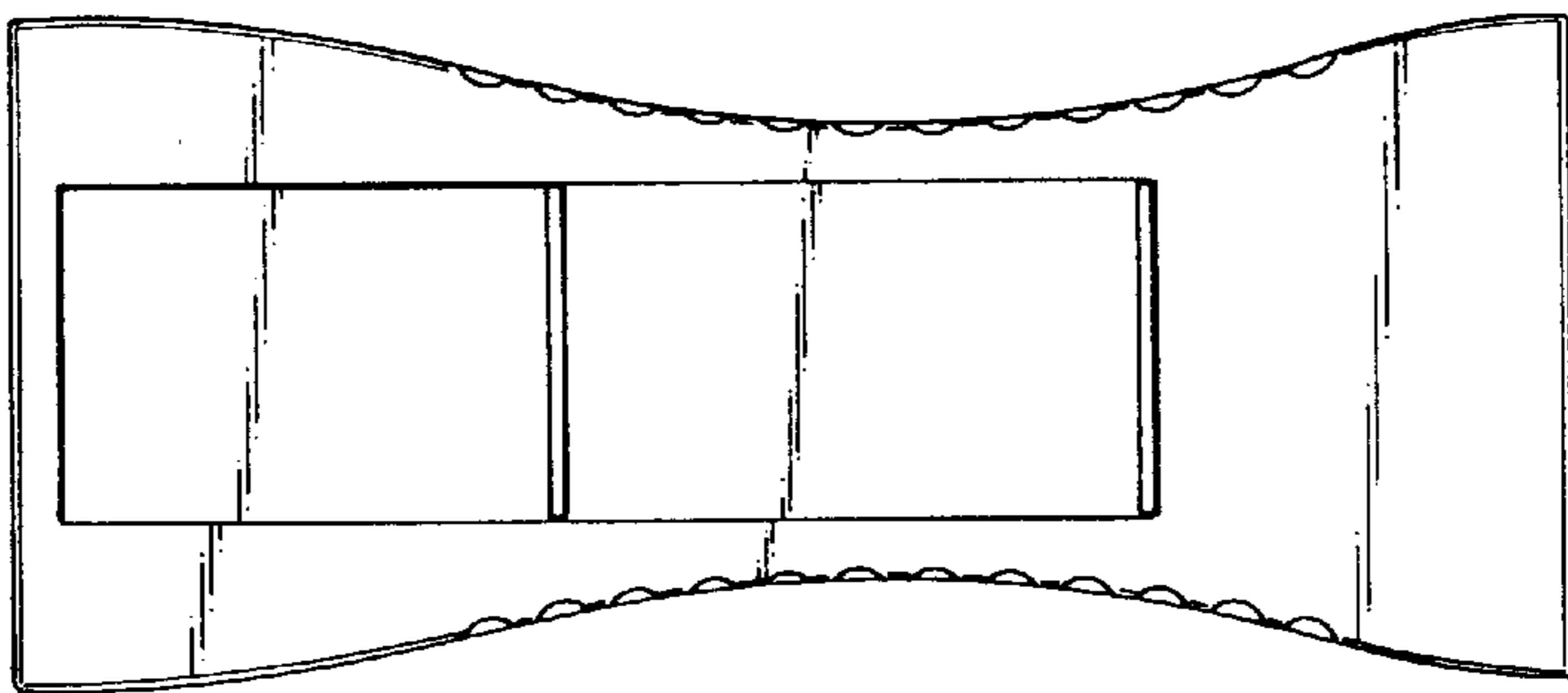


FIG. 2

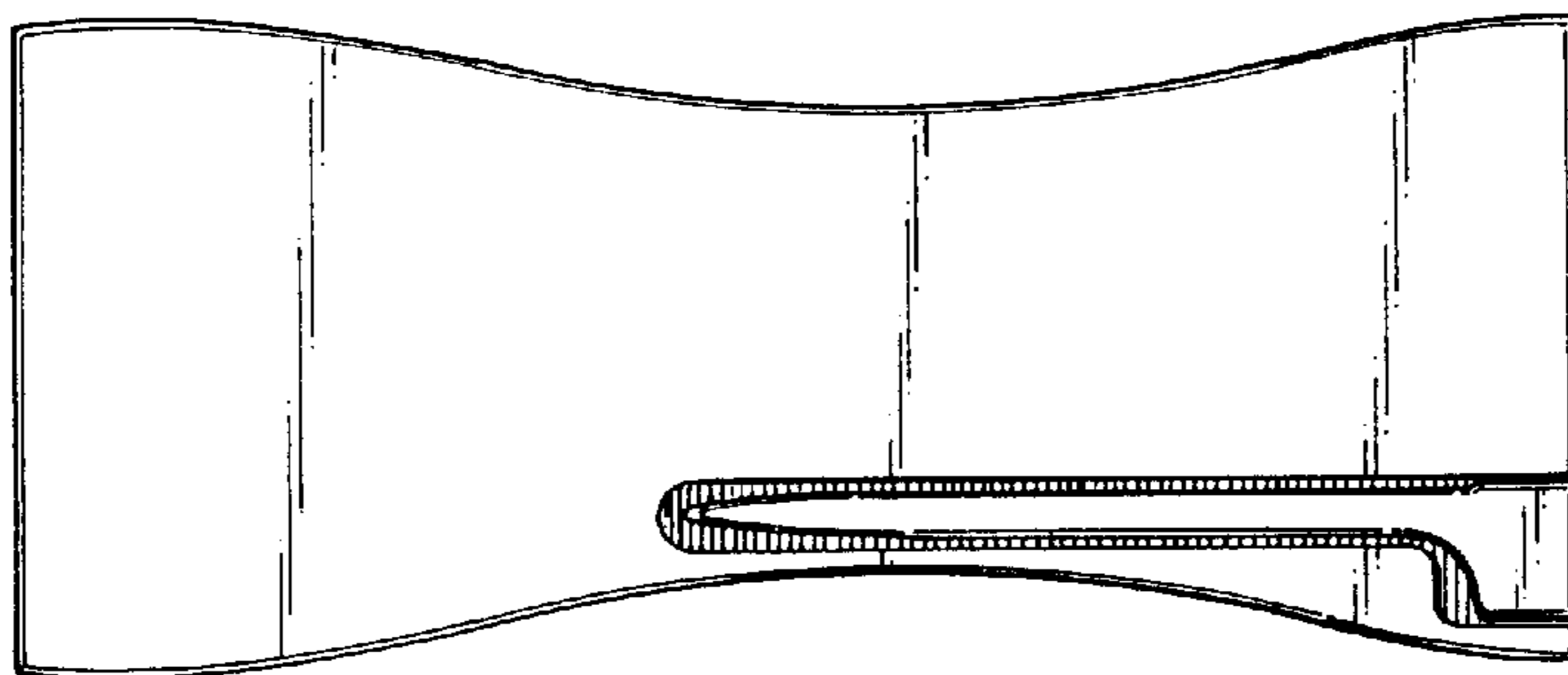


FIG. 3

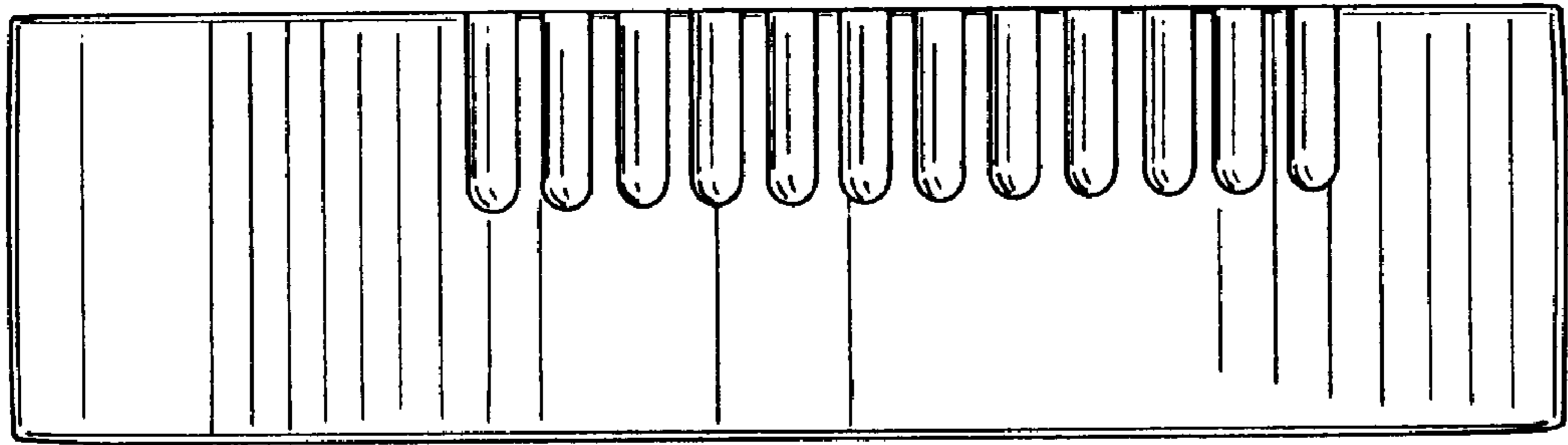


FIG. 4

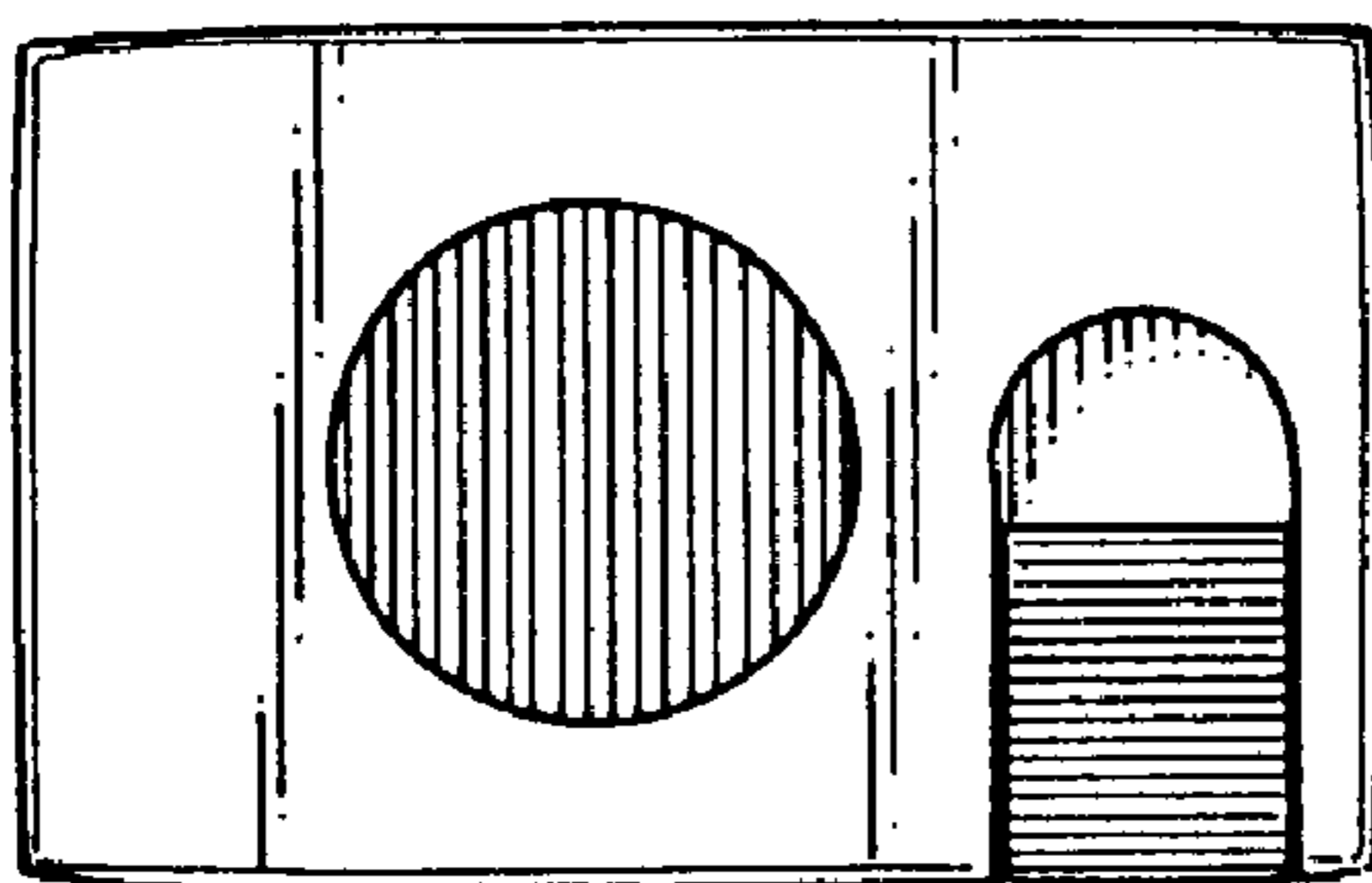


FIG. 5

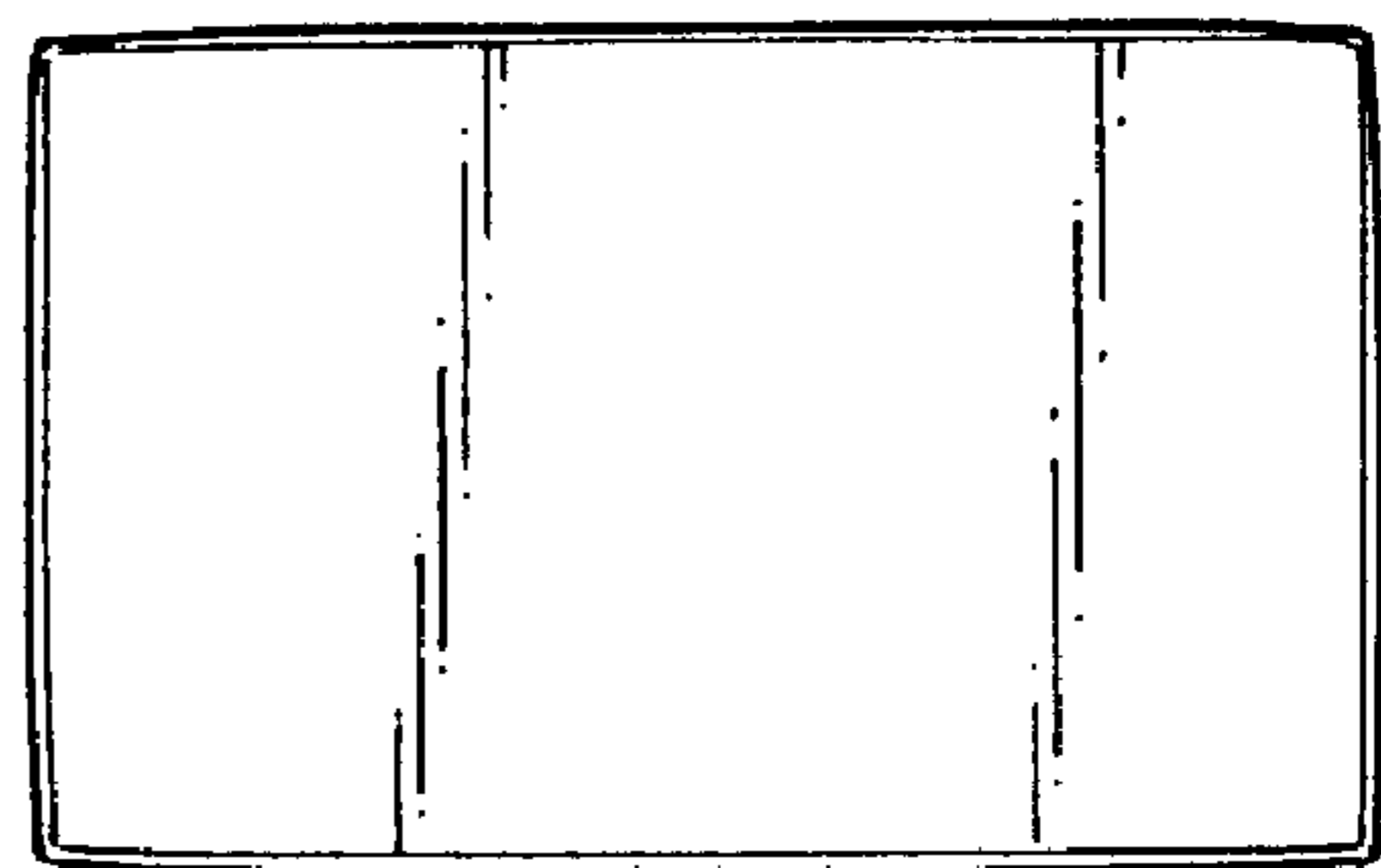


FIG. 6