



US00D431261S

United States Patent [19]

Haas et al.

[11] Patent Number: **Des. 431,261**

[45] Date of Patent: **** Sep. 26, 2000**

[54] **CARD PRINTER CABINET**

[75] Inventors: **Darren W. Haas**, Eden Prairie; **John P. Skoglund**, Savage; **Brent D. Lien**, Minneapolis, all of Minn.

[73] Assignee: **Fargo Electronics, Inc.**, Eden Prairie, Minn.

[**] Term: **14 Years**

[21] Appl. No.: **29/104,650**

[22] Filed: **May 10, 1999**

[51] **LOC (7) Cl.** **14-02**

[52] **U.S. Cl.** **D18/50**

[58] **Field of Search** D18/36-39, 50, D18/54-55, 53; 400/691-694, 613, 613.1-613.4, 690.1-960.4

[56] References Cited

U.S. PATENT DOCUMENTS

| | | | |
|------------|---------|-----------------------|--------|
| D. 261,146 | 10/1981 | Sakai et al. | D18/37 |
| D. 283,321 | 4/1986 | Bixler et al. | D18/53 |
| D. 318,479 | 7/1991 | Nishiseko et al. | D18/39 |
| D. 325,392 | 4/1992 | Kusenbergl | D18/54 |
| D. 334,943 | 4/1993 | Suzuki et al. | D18/39 |
| D. 354,764 | 1/1995 | Tokuda | D18/53 |
| D. 358,411 | 5/1995 | Minakawa et al. | D18/39 |
| D. 369,381 | 4/1996 | Gotham et al. | D18/53 |

| | | | |
|------------|--------|----------------------|--------|
| D. 370,496 | 6/1996 | Inoue et al. | D18/50 |
| D. 373,375 | 9/1996 | Yamamoto et al. | D18/39 |
| D. 394,452 | 5/1998 | Iwamoto et al. | D18/54 |
| D. 421,045 | 2/2000 | Quijano | D18/55 |

Primary Examiner—Cathy Anne MacCormac
Attorney, Agent, or Firm—Westman, Champlin & Kelly, P.A.

[57] CLAIM

The ornamental design for a card printer cabinet, as shown.

DESCRIPTION

FIG. 1 is a front perspective view of a first form of a card printer cabinet embodying our new design;
 FIG. 2 is a top plan view thereof;
 FIG. 3 is a front elevational view thereof;
 FIG. 4 is a left side elevational view thereof;
 FIG. 5 is a right side elevational view thereof;
 FIG. 6 is a rear elevational view thereof;
 FIG. 7 is a bottom plan view thereof;
 FIG. 8 is a front perspective view of a modified form of a card printer cabinet embodying our new design;
 FIG. 9 is a top plan view thereof;
 FIG. 10 is a front elevational view thereof;
 FIG. 11 is a left side elevational view thereof;
 FIG. 12 is a right side elevational view thereof;
 FIG. 13 is a rear elevational view thereof; and,
 FIG. 14 is a bottom plan view thereof.

1 Claim, 13 Drawing Sheets

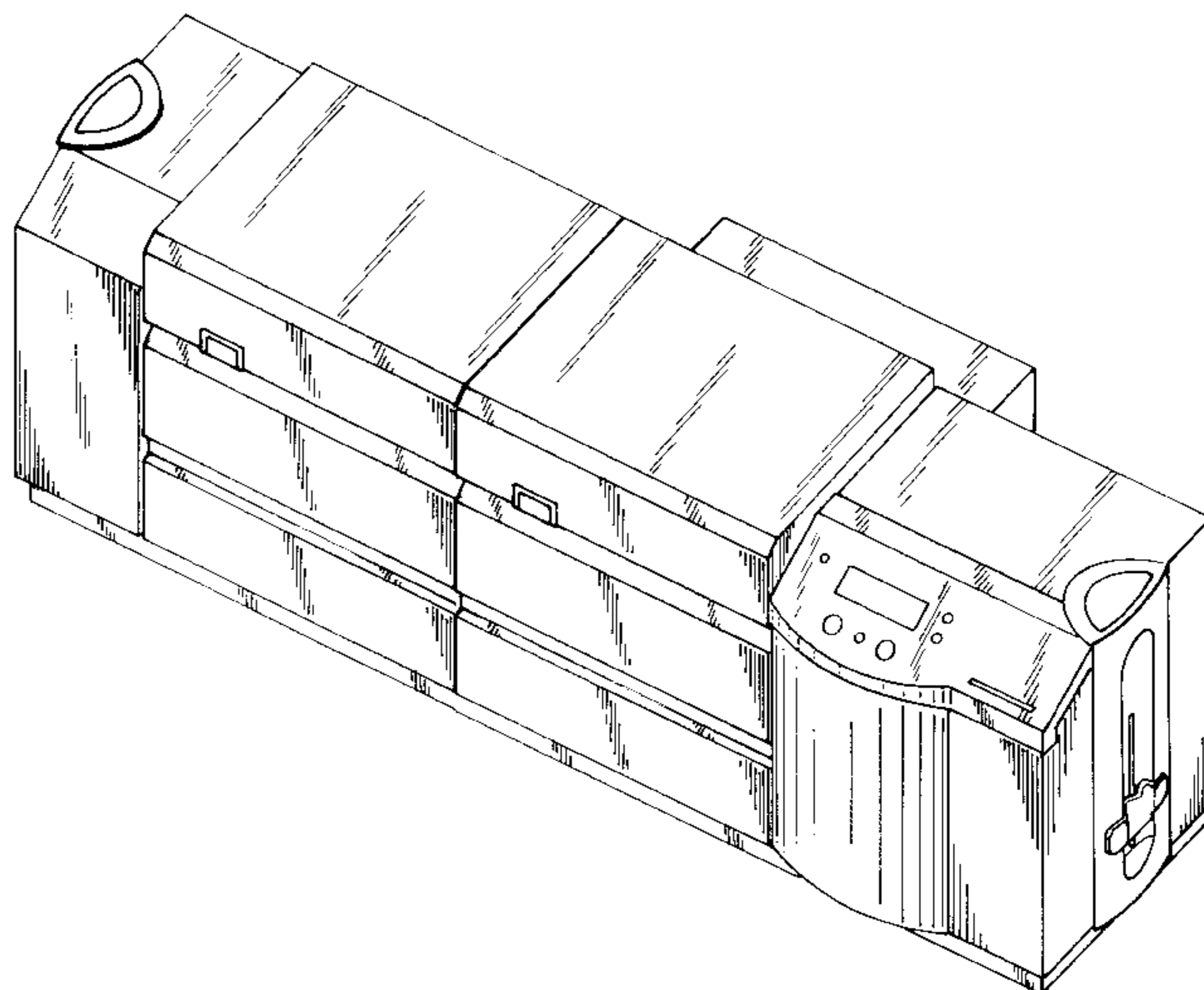
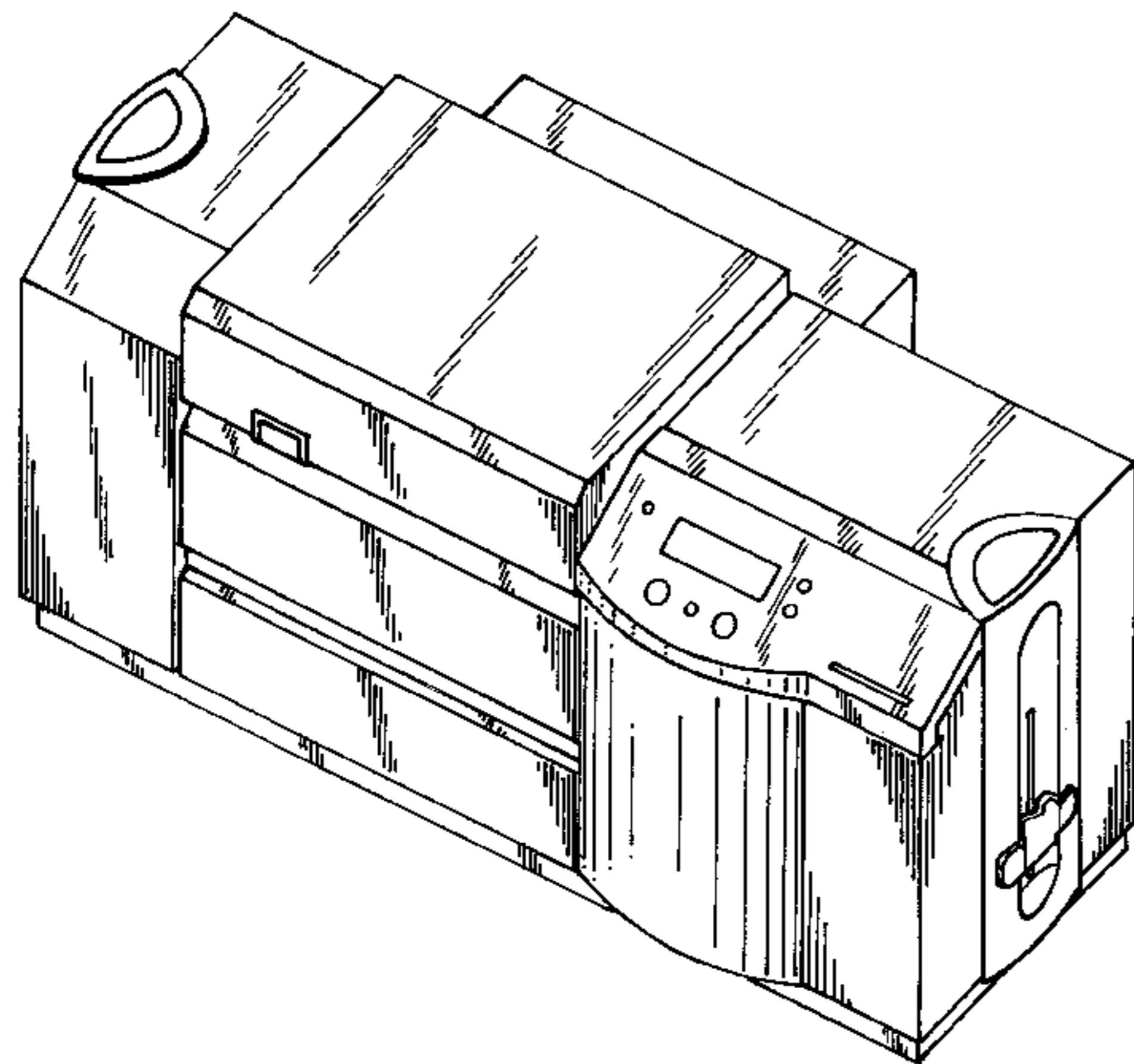


Fig. 1

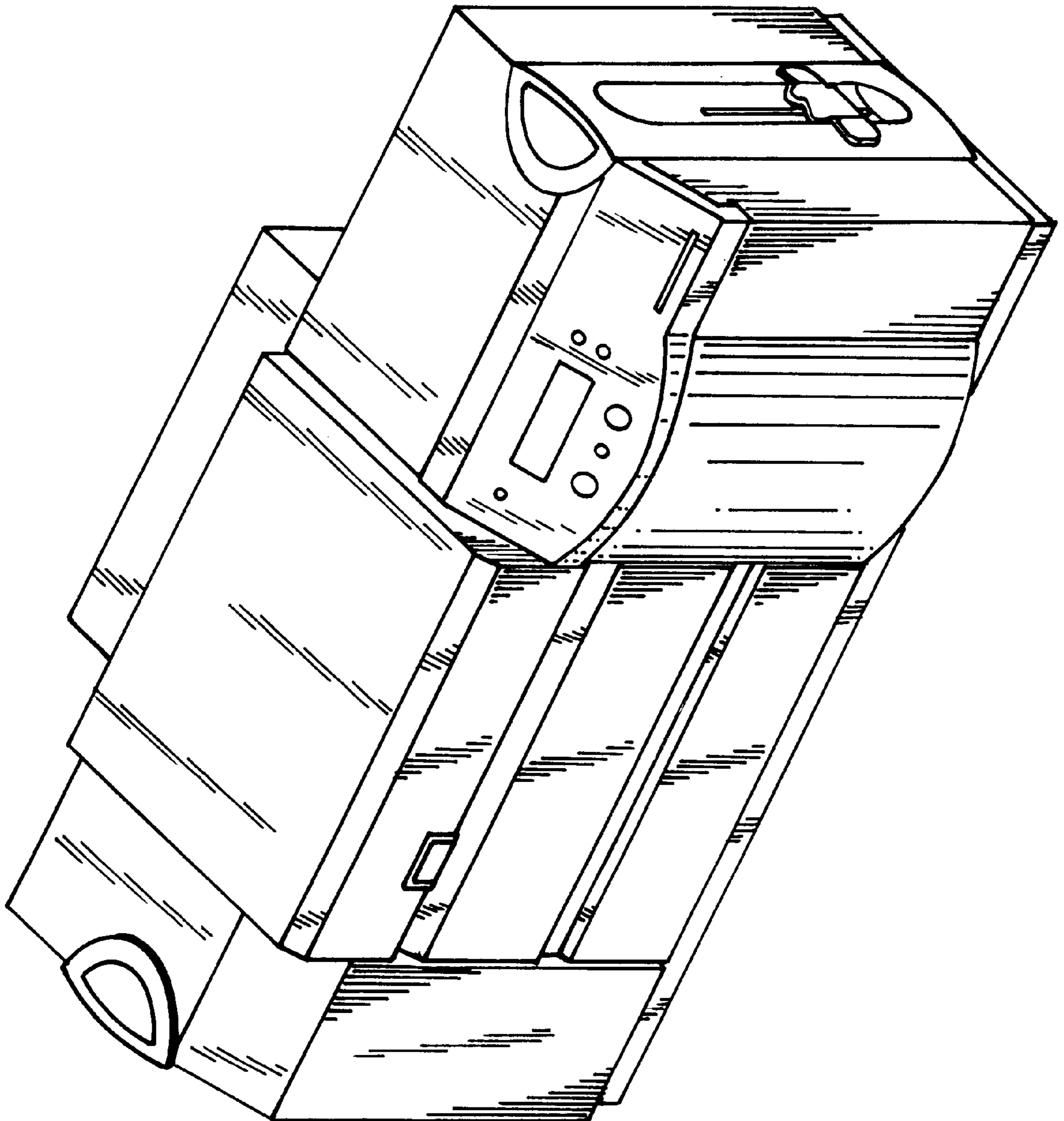
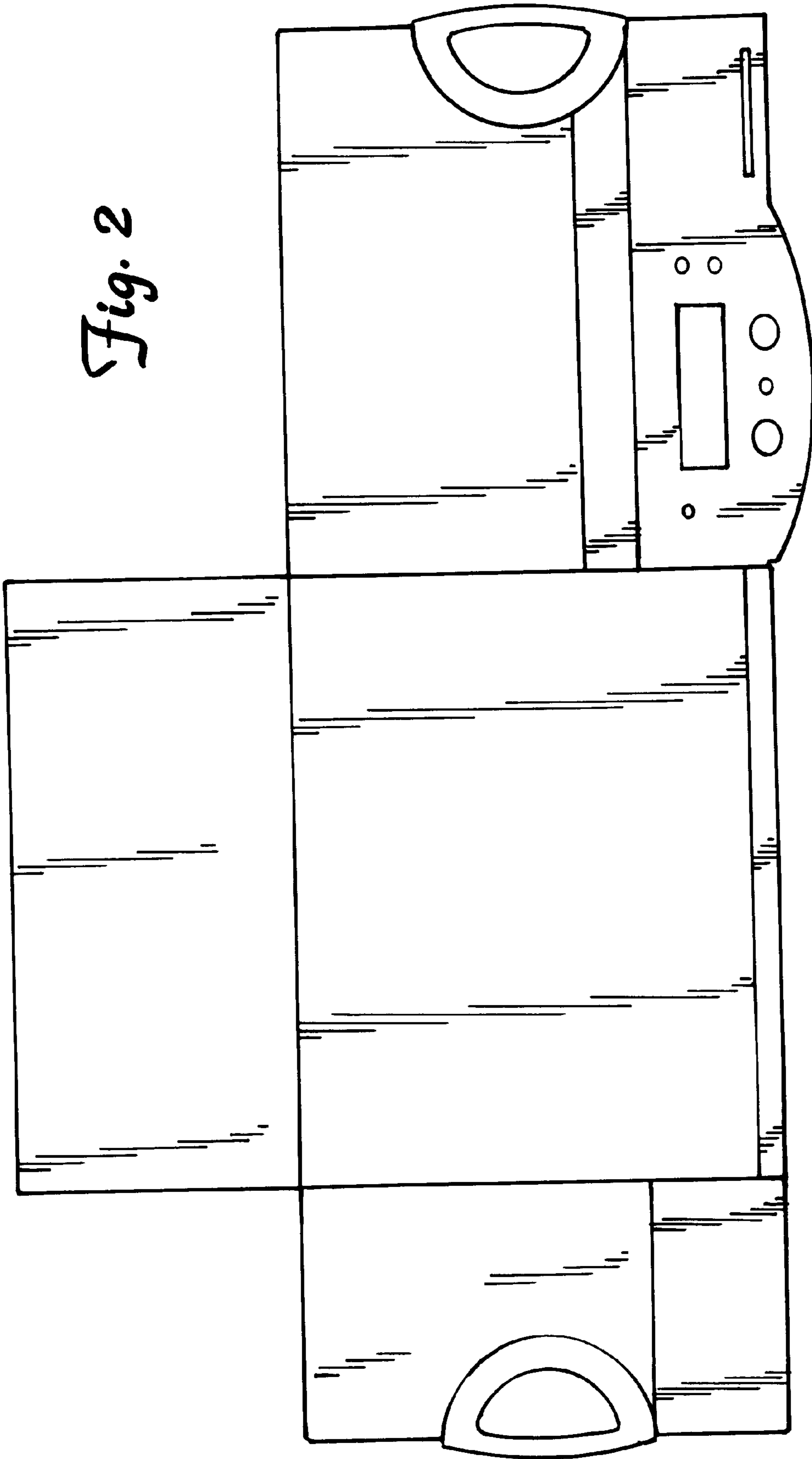


Fig. 2



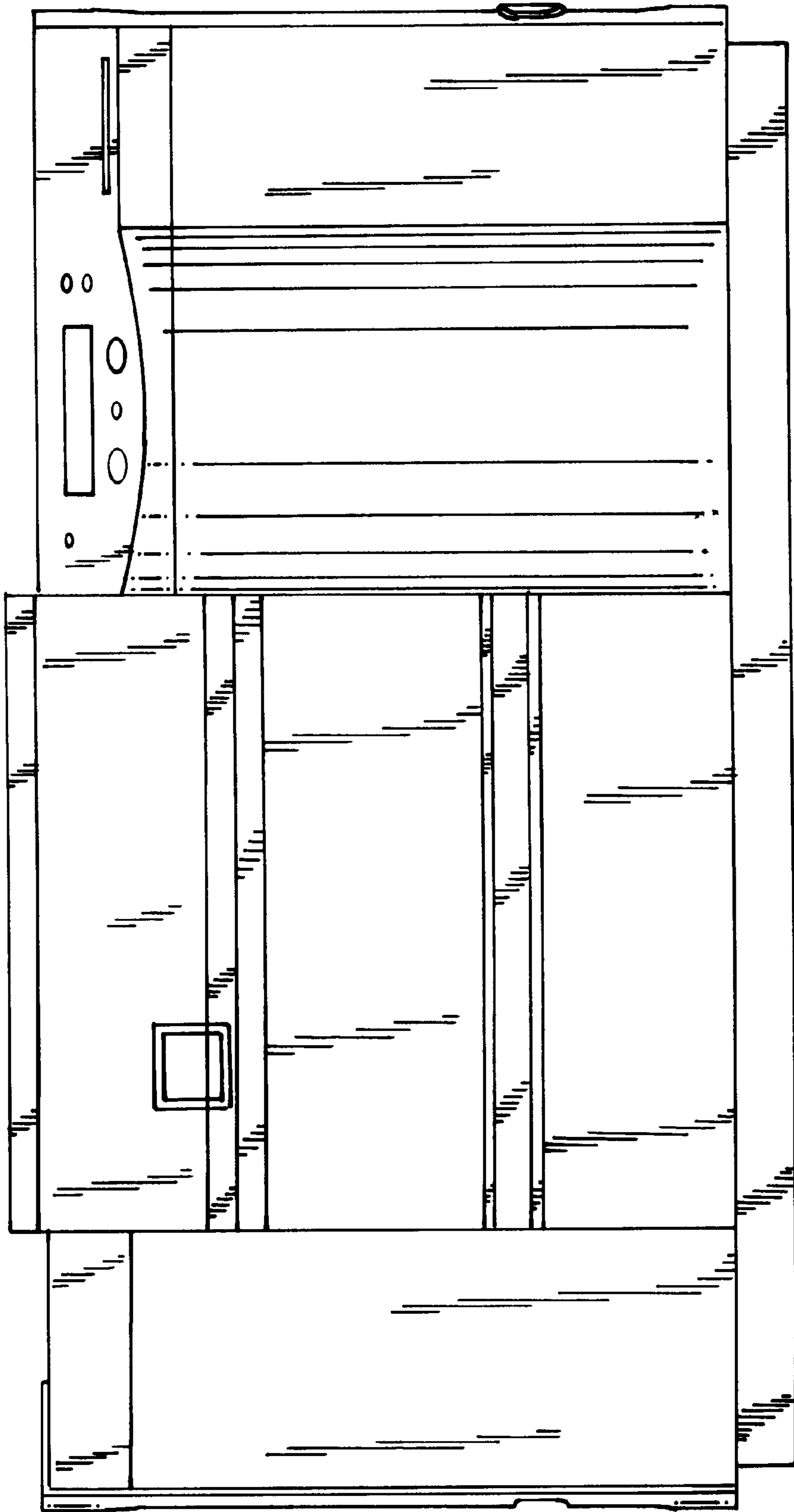


Fig. 3

Fig. 4

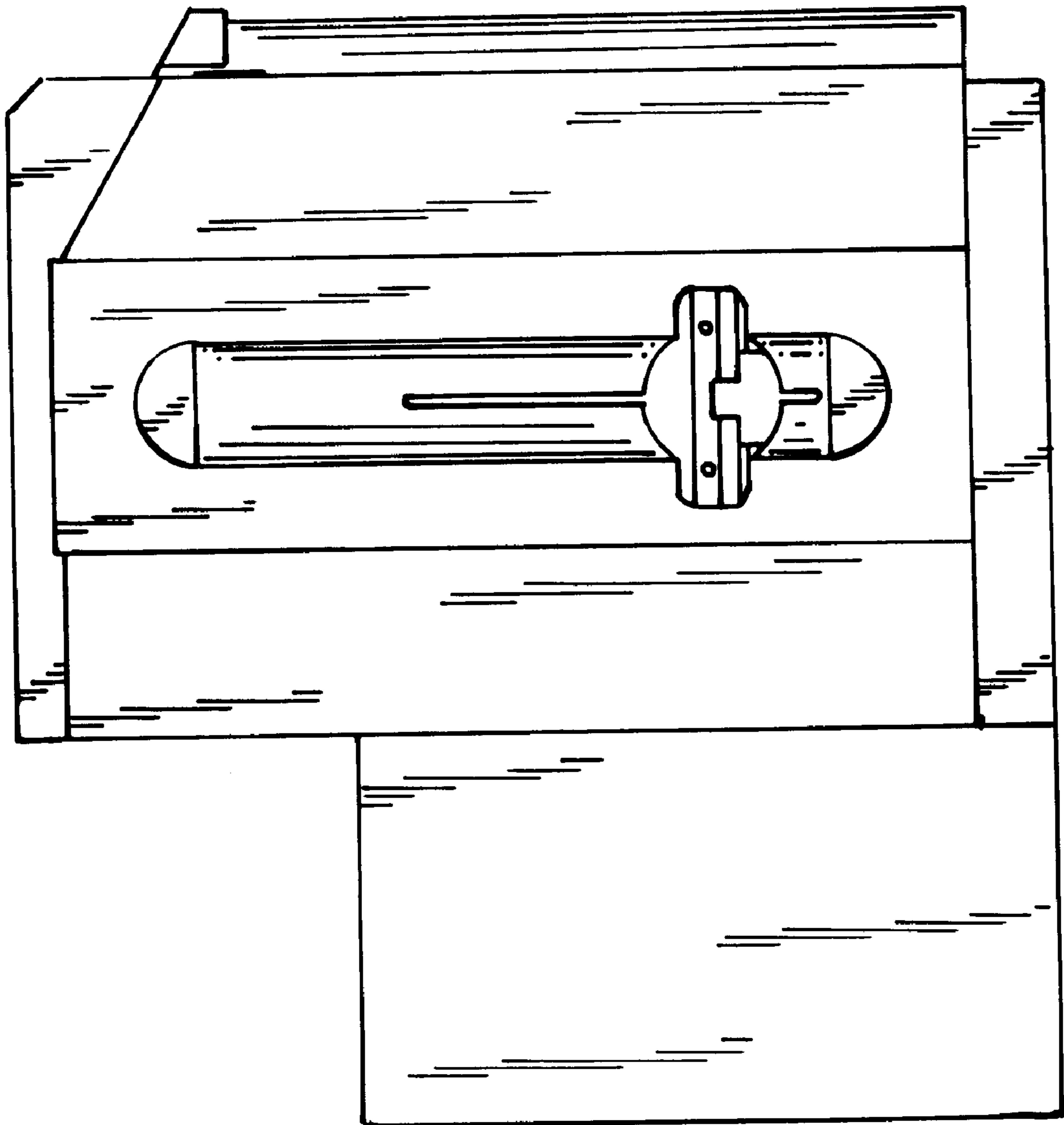
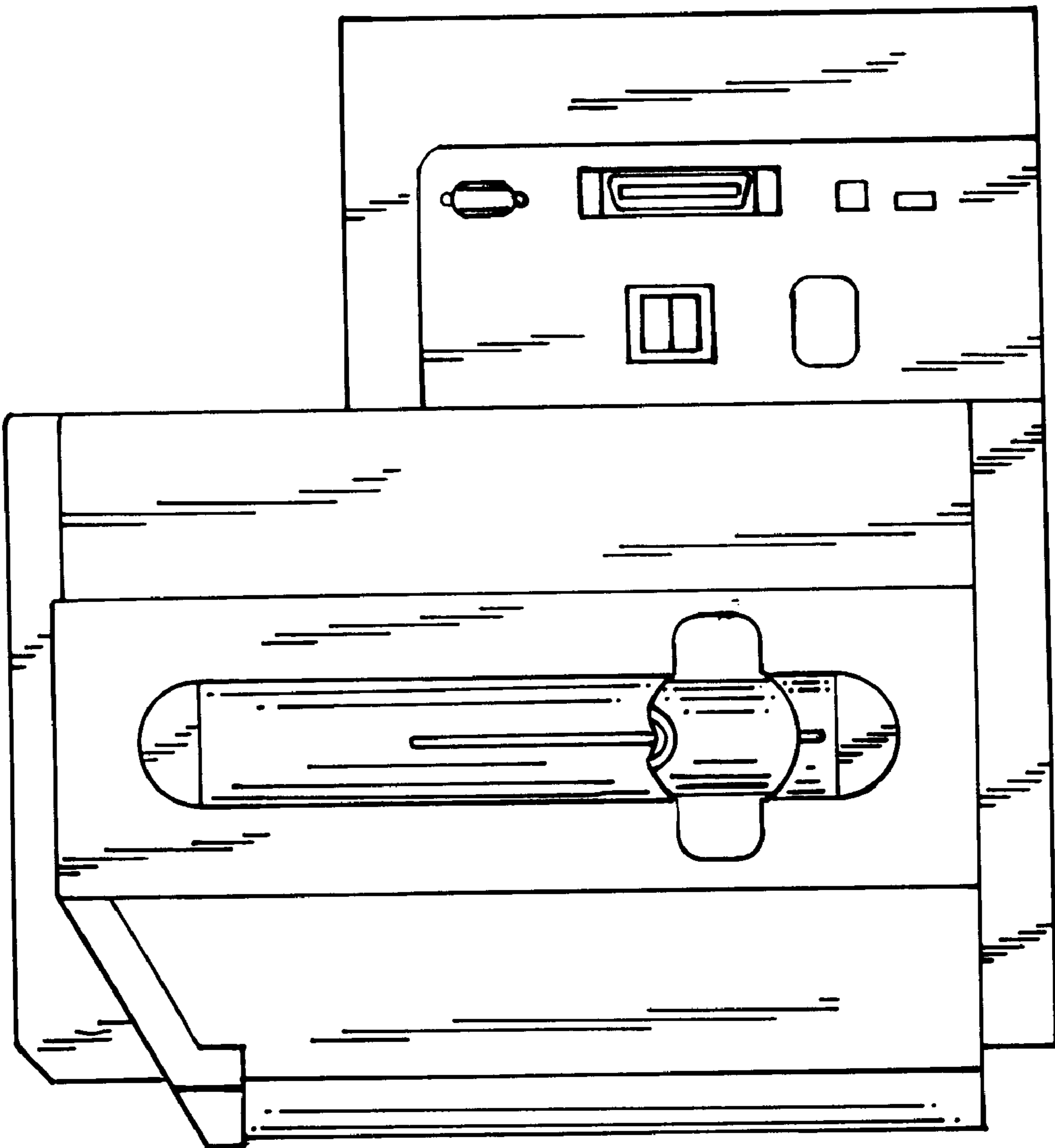


Fig. 5



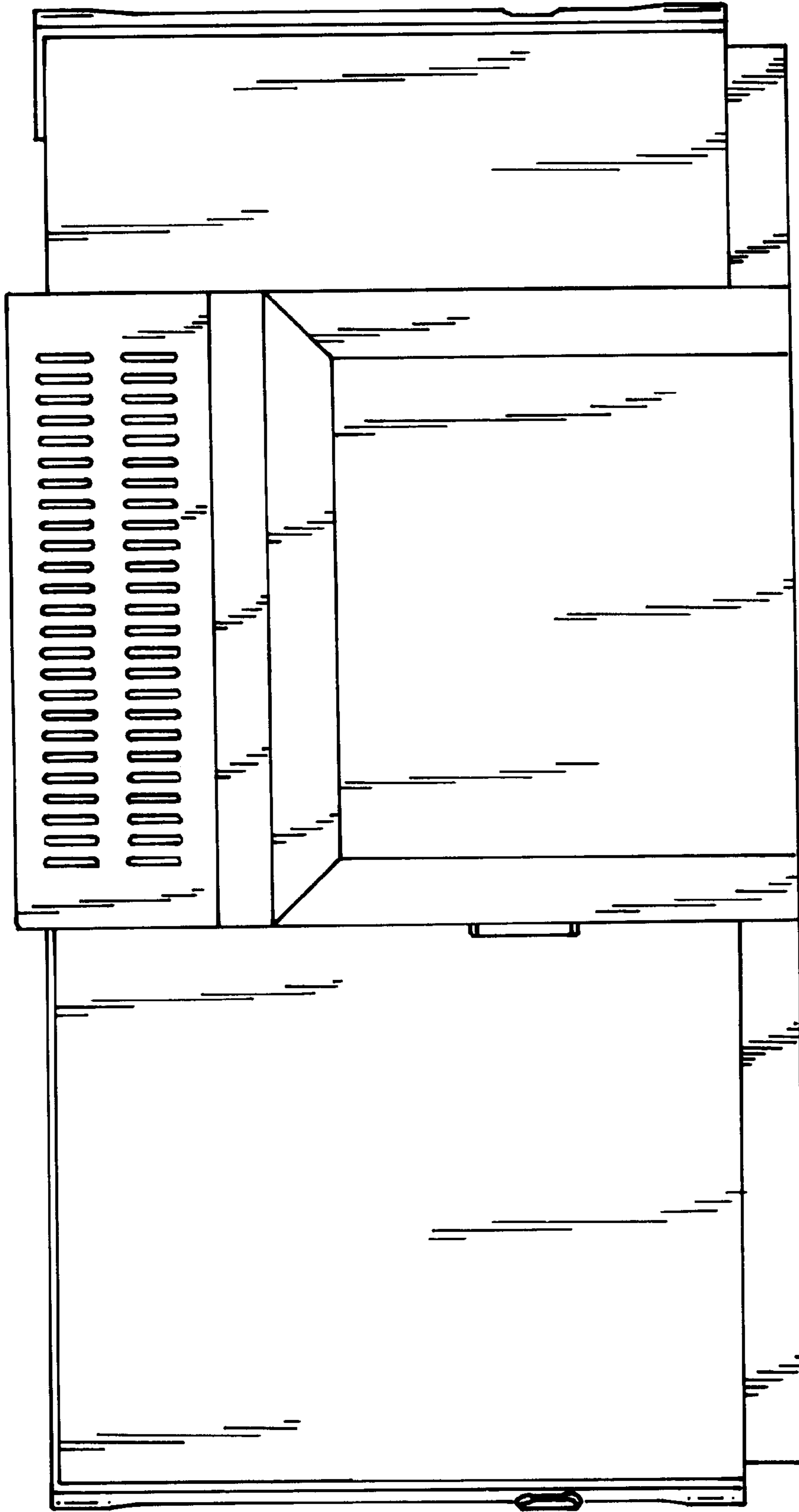


Fig. 6

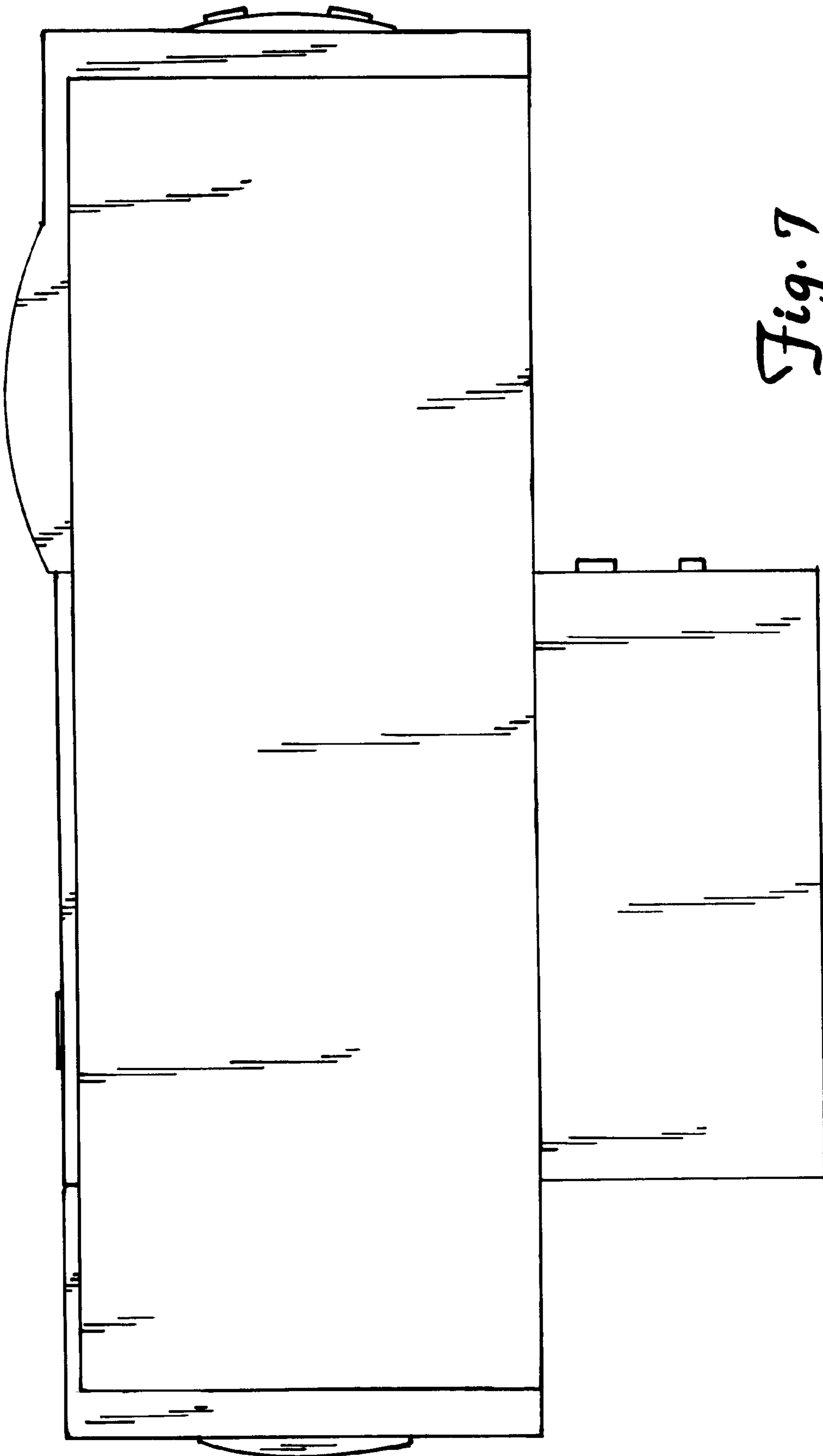


Fig. 7

Fig. 8

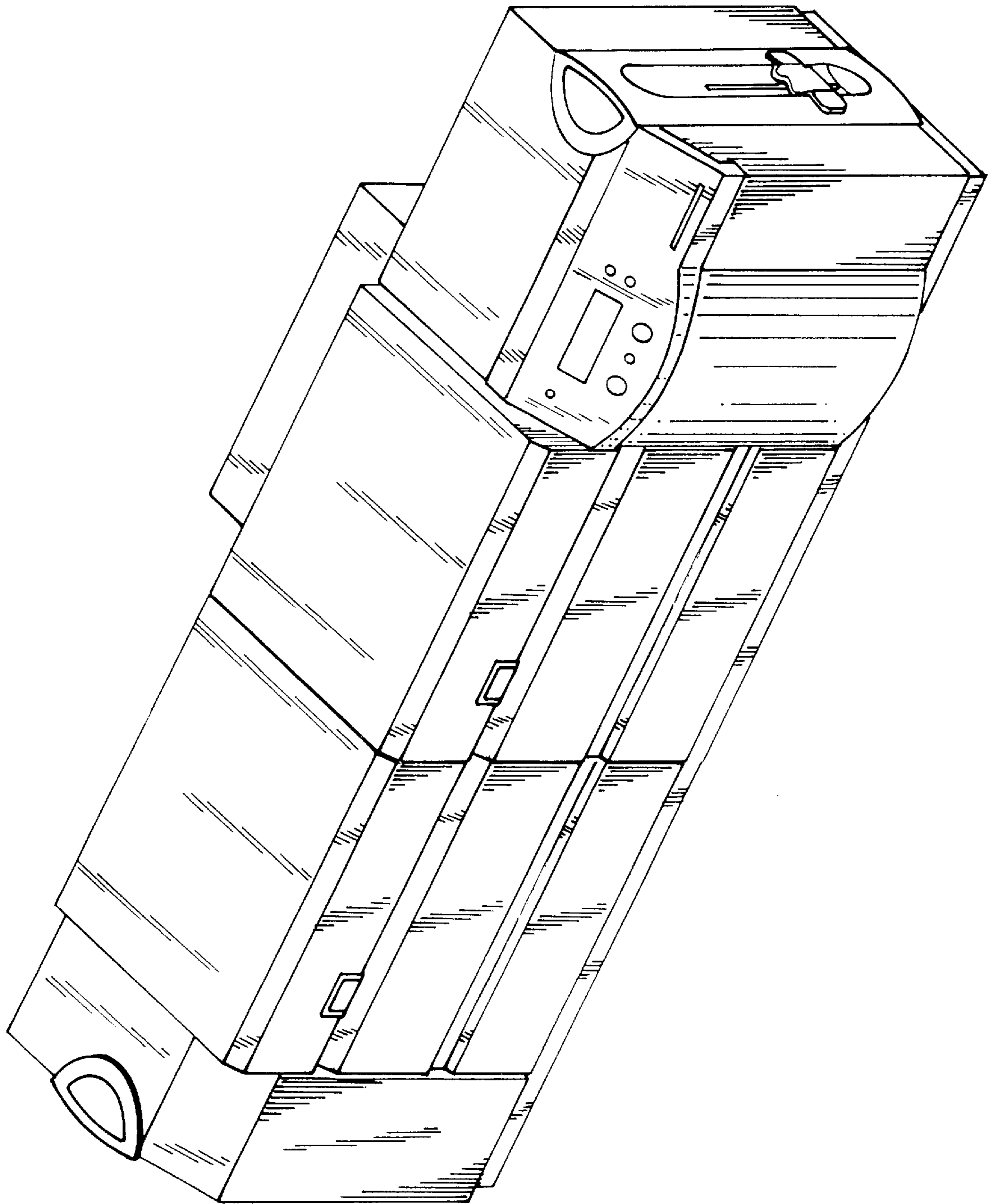
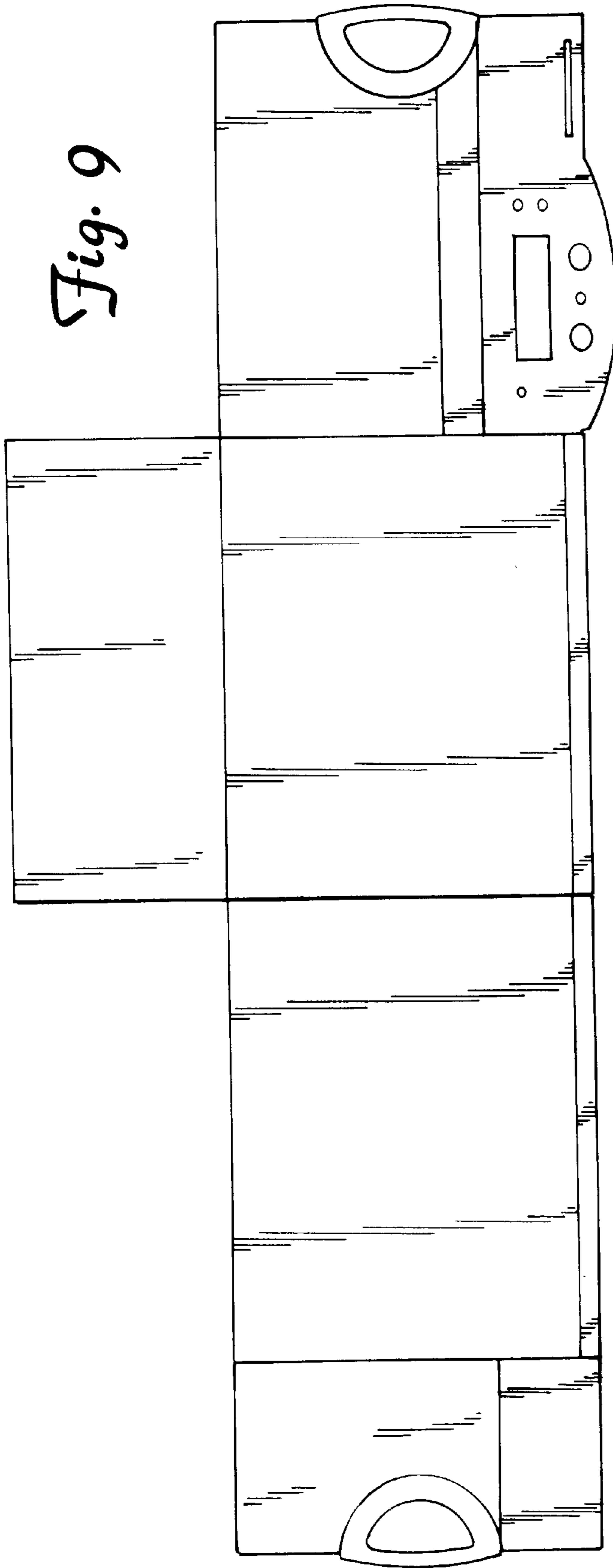


Fig. 9



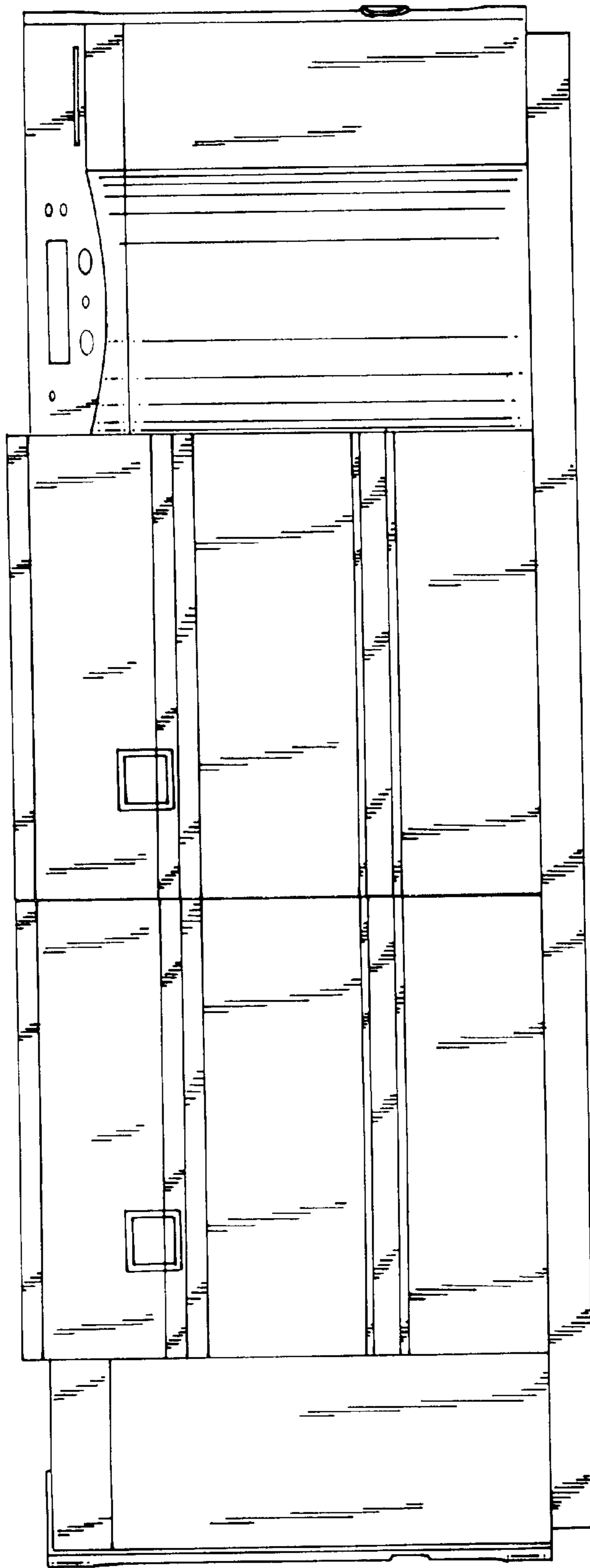


Fig. 10

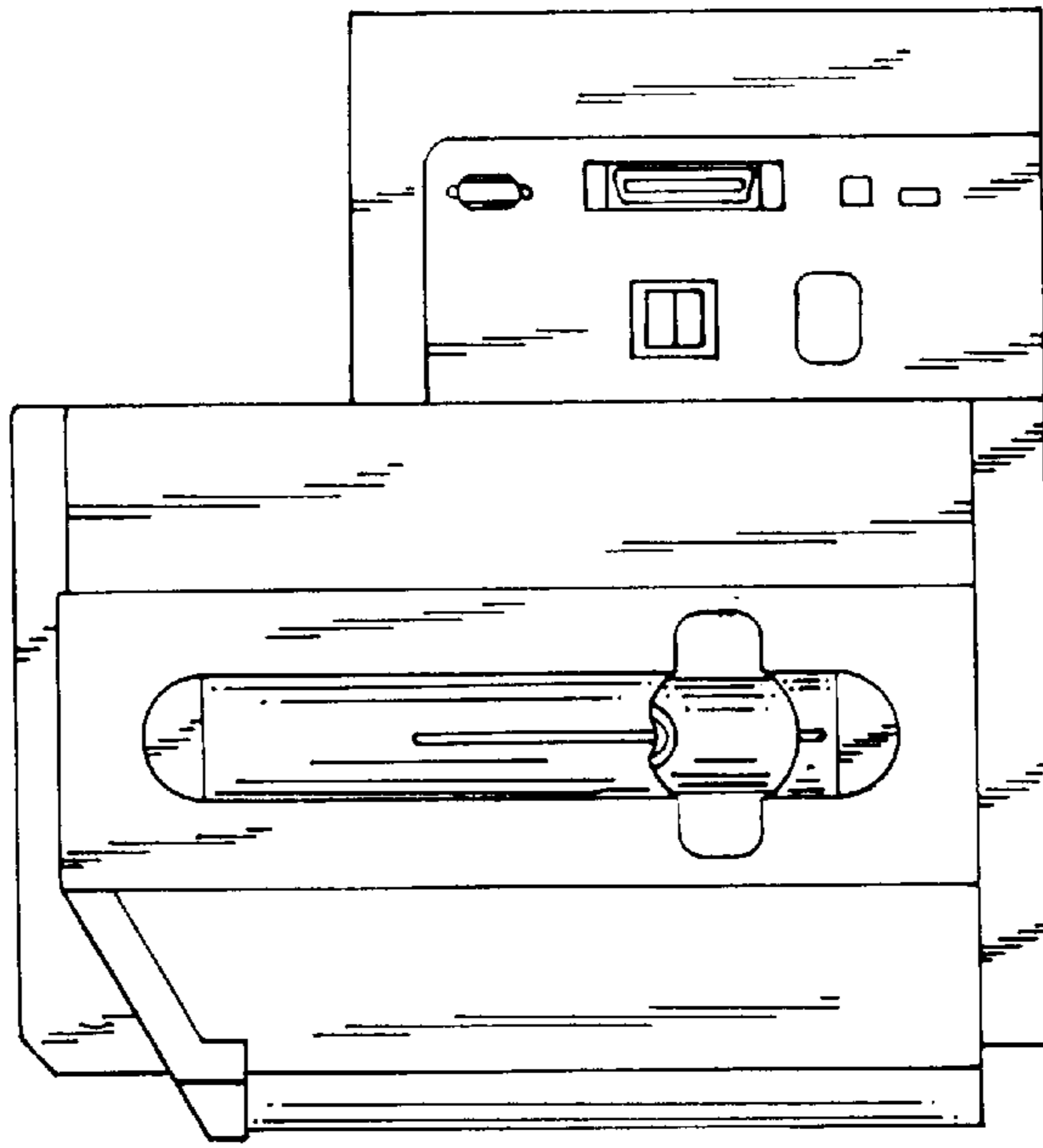


Fig. 12

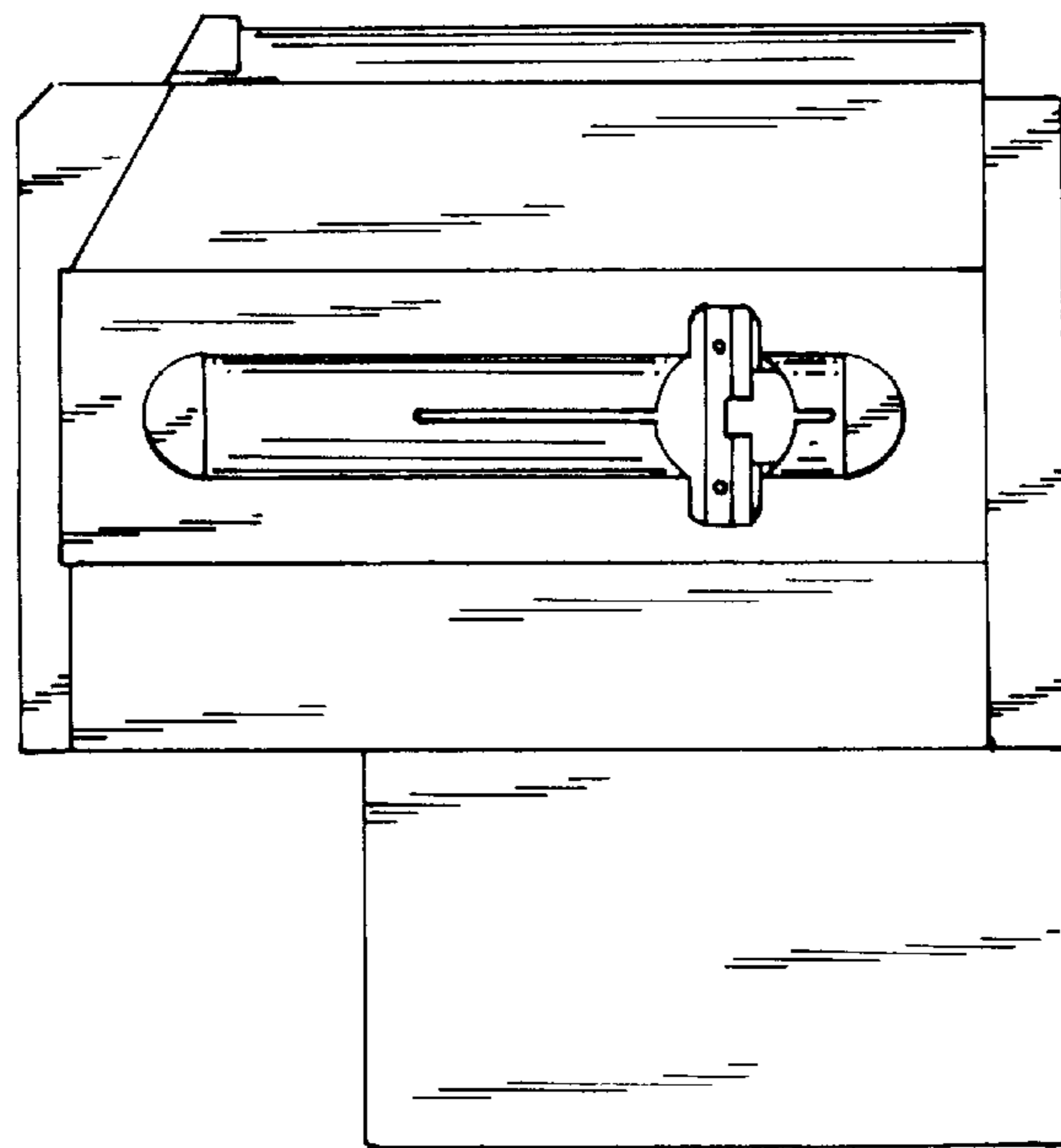


Fig. 11

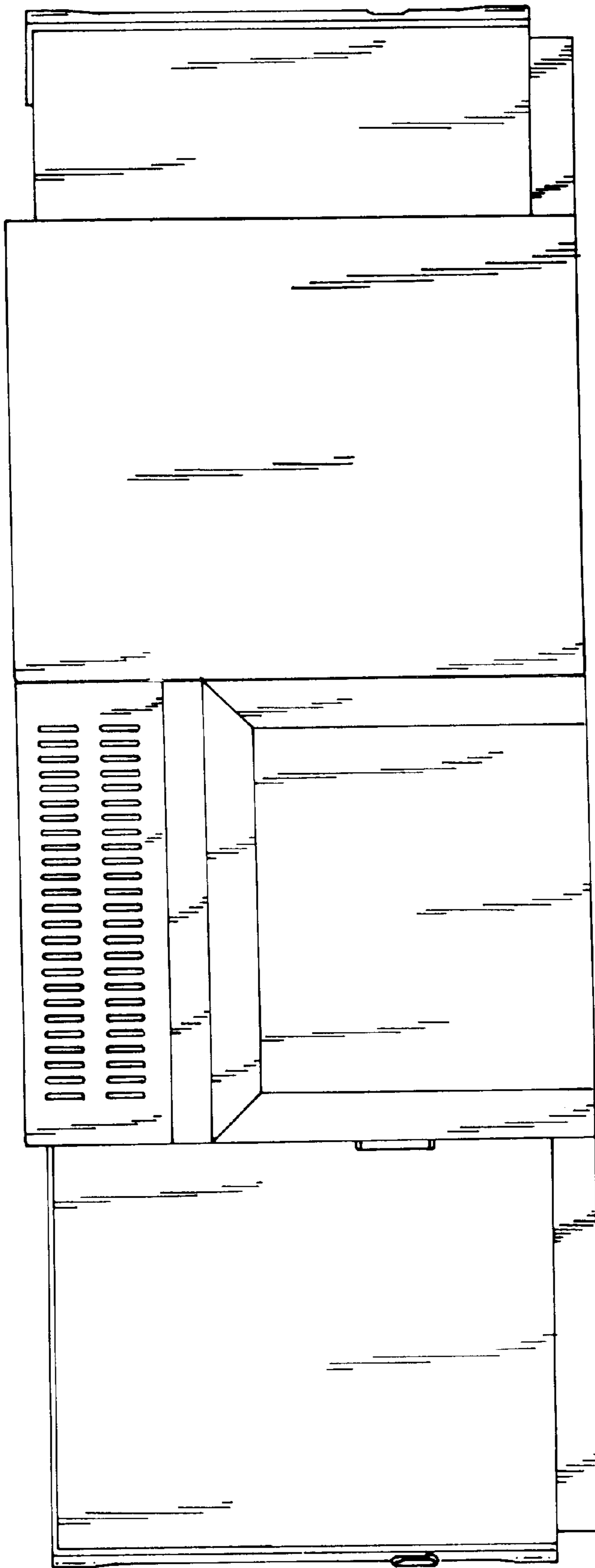


Fig. 13

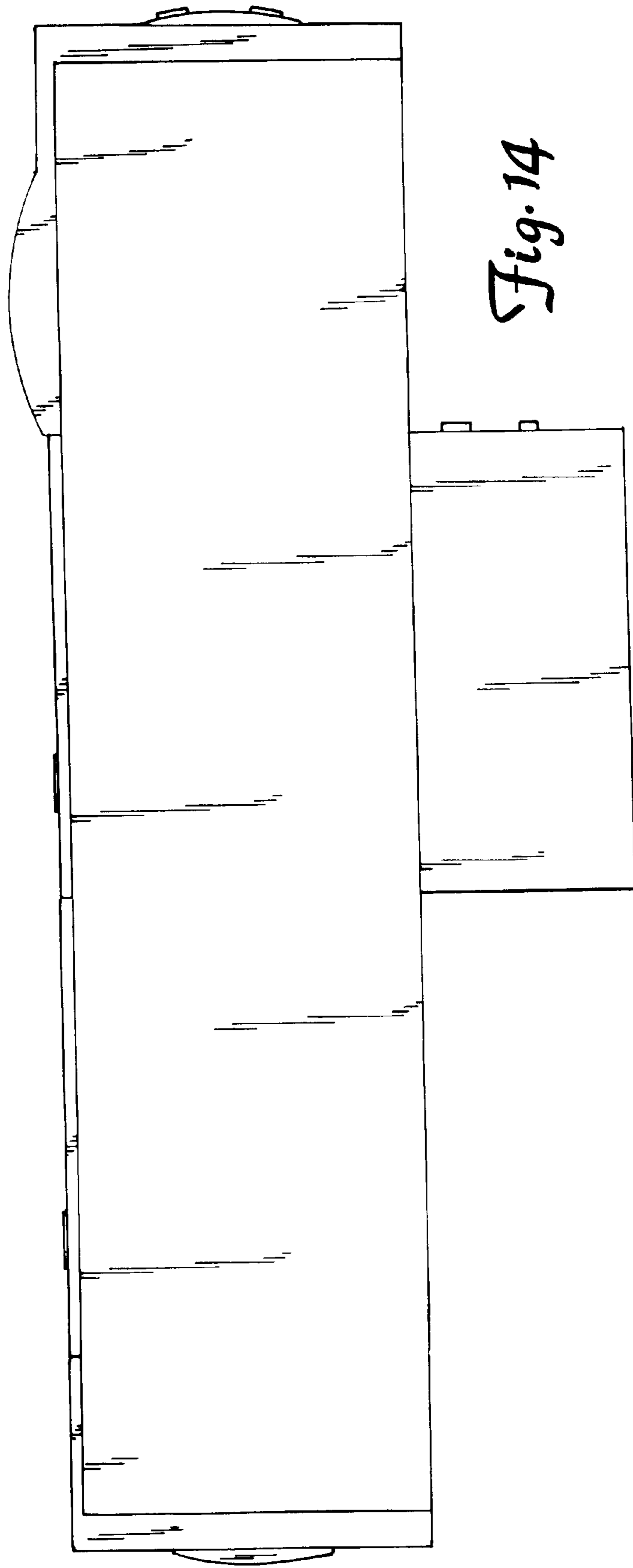


Fig. 14