



US00D431260S

# United States Patent [19]

**Kohno et al.**

[11] **Patent Number: Des. 431,260**

[45] **Date of Patent: \*\* Sep. 26, 2000**

[54] **TONER CARTRIDGE**

[75] Inventors: **Hirohisa Kohno, Ebina; Hiroshi Nakada, Yokohama, both of Japan**

[73] Assignee: **Fuji Xerox Co., Ltd., Tokyo, Japan**

[\*\*] Term: **14 Years**

[21] Appl. No.: **29/108,467**

[22] Filed: **Jul. 29, 1999**

[30] **Foreign Application Priority Data**

Feb. 1, 1999 [JP] Japan ..... 11-1906

[51] **LOC (7) Cl. .... 16-03**

[52] **U.S. Cl. .... D18/43**

[58] **Field of Search ..... D18/36, 40, 43, D18/56; 399/24, 27, 28, 106; 222/DIG. 1**

[56] **References Cited**

**U.S. PATENT DOCUMENTS**

D. 171,578 3/1954 Brucker ..... D9/520

- D. 236,694 9/1975 Avolio ..... D18/43
- D. 288,293 2/1987 Arvans ..... D9/500
- D. 319,841 9/1991 Fukuda et al. .... D18/43
- D. 335,683 5/1993 Smith ..... D18/56

*Primary Examiner*—Caron D. Veynar  
*Attorney, Agent, or Firm*—Oliff & Berridge, PLC

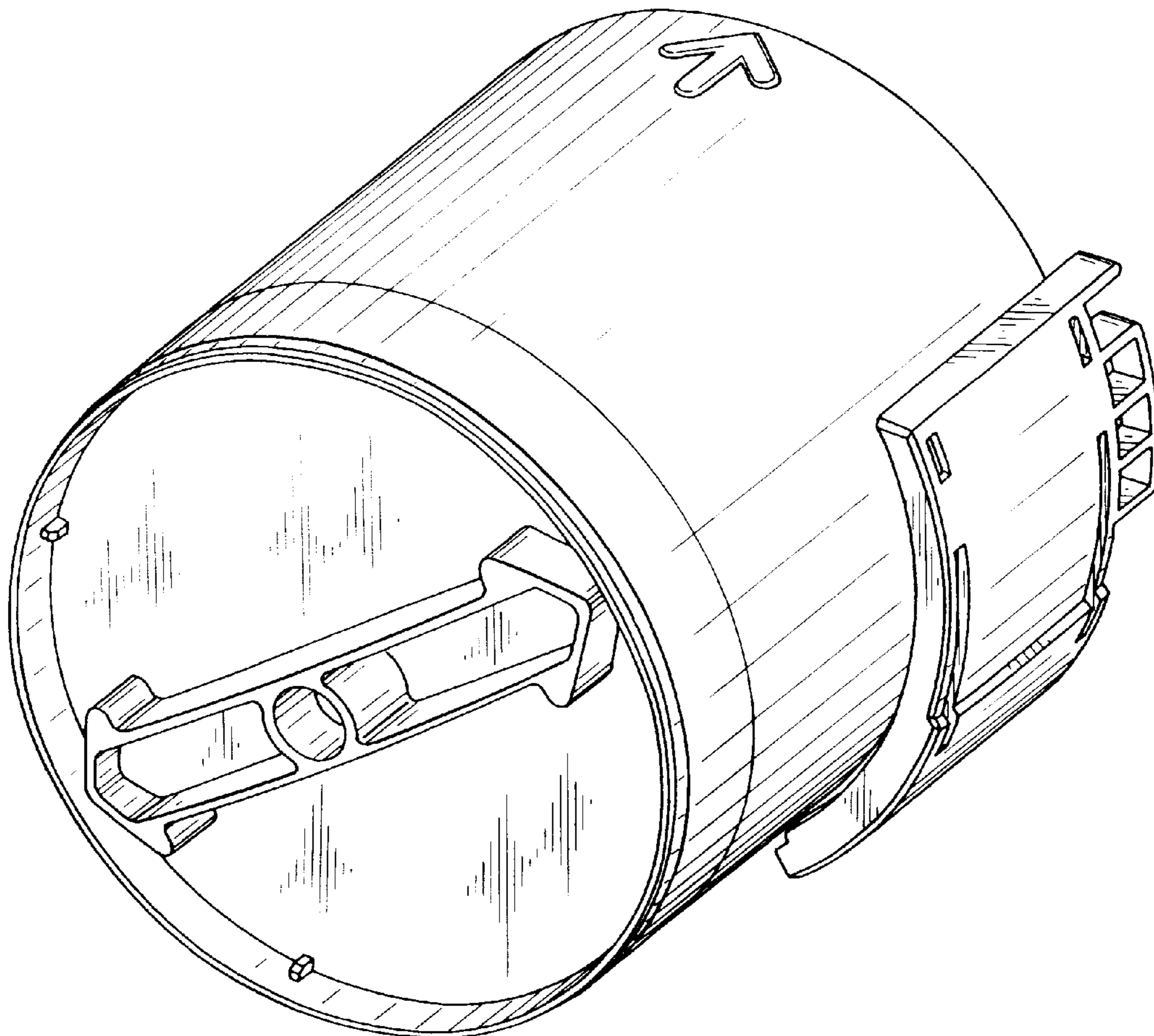
[57] **CLAIM**

The ornamental design for a toner cartridge, as shown and described.

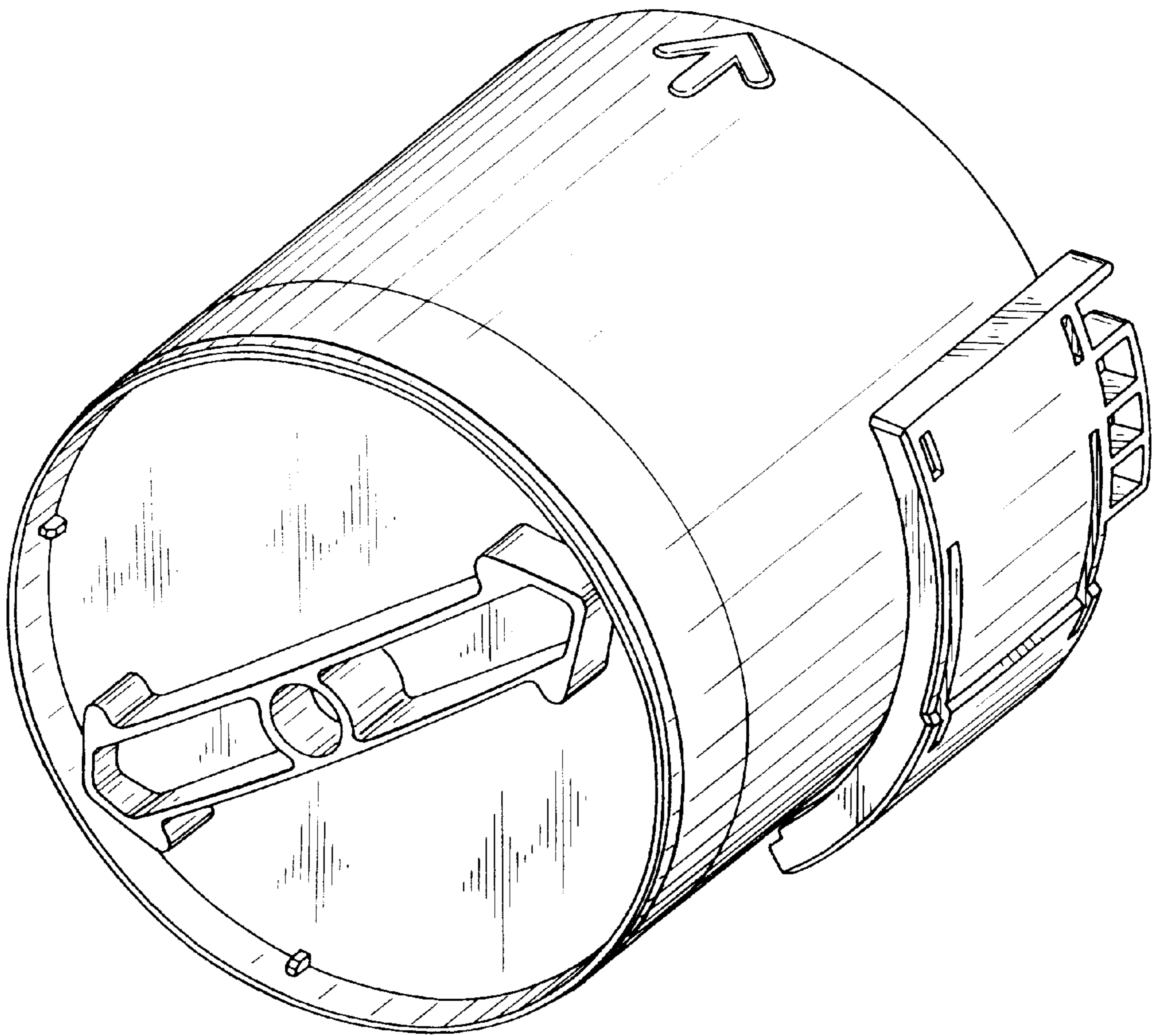
**DESCRIPTION**

FIG. 1 is a perspective view of the top, front and left side of a toner cartridge showing our new design;  
FIG. 2 is a front view thereof;  
FIG. 3 is a rear view thereof;  
FIG. 4 is a top plan view thereof;  
FIG. 5 is a bottom view thereof;  
FIG. 6 is a left side view thereof; and,  
FIG. 7 is a right side view thereof.

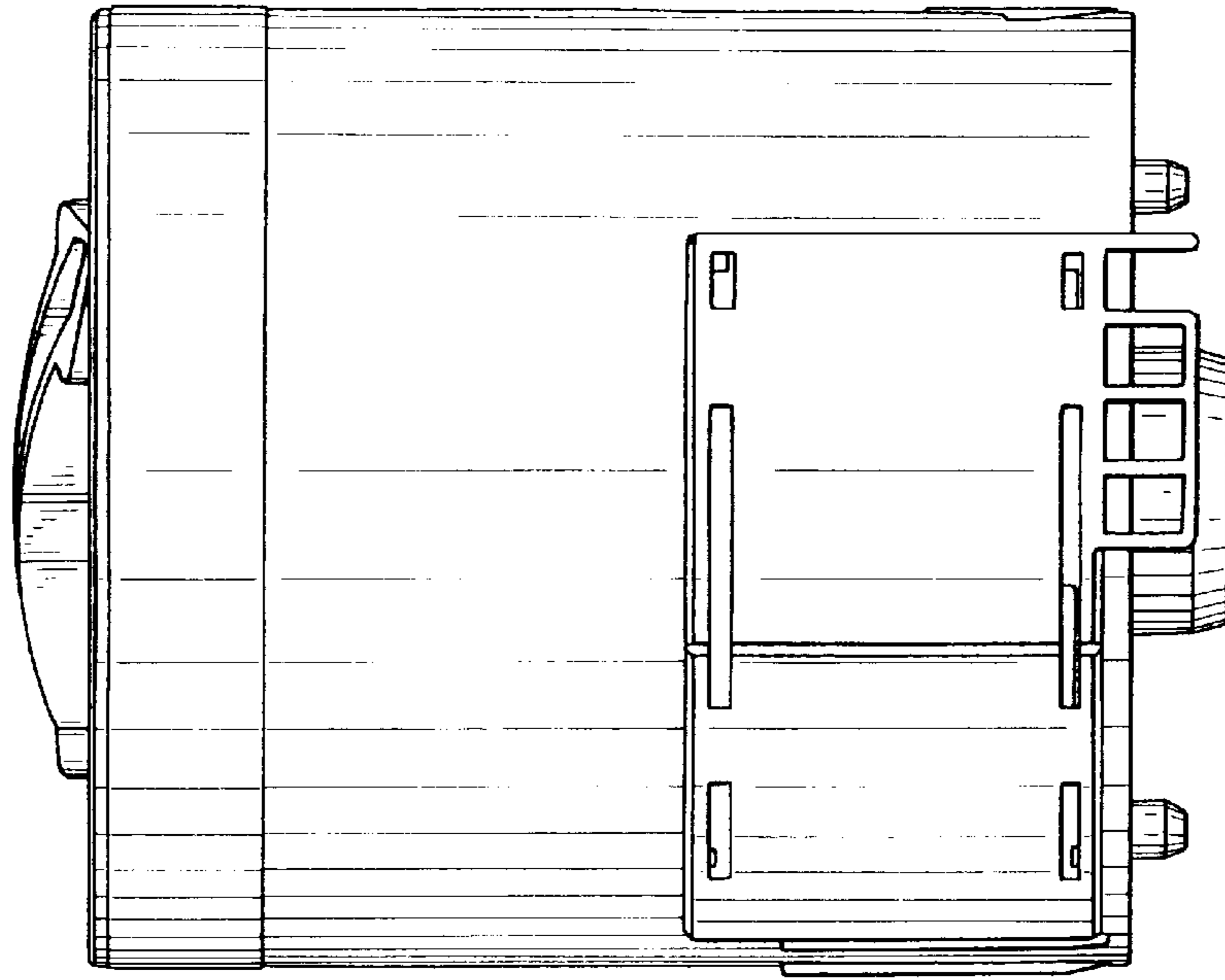
**1 Claim, 4 Drawing Sheets**



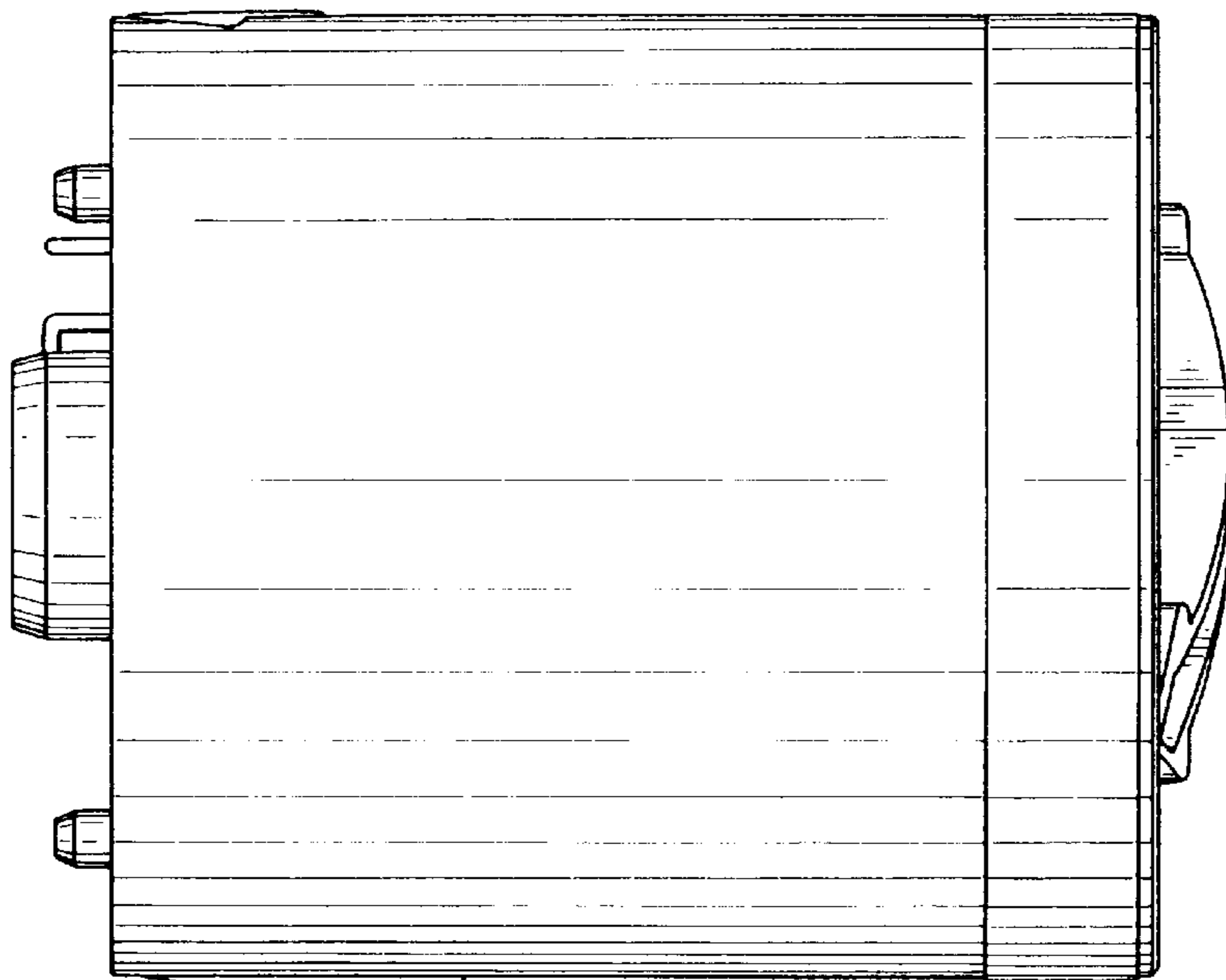
*FIG. 1*



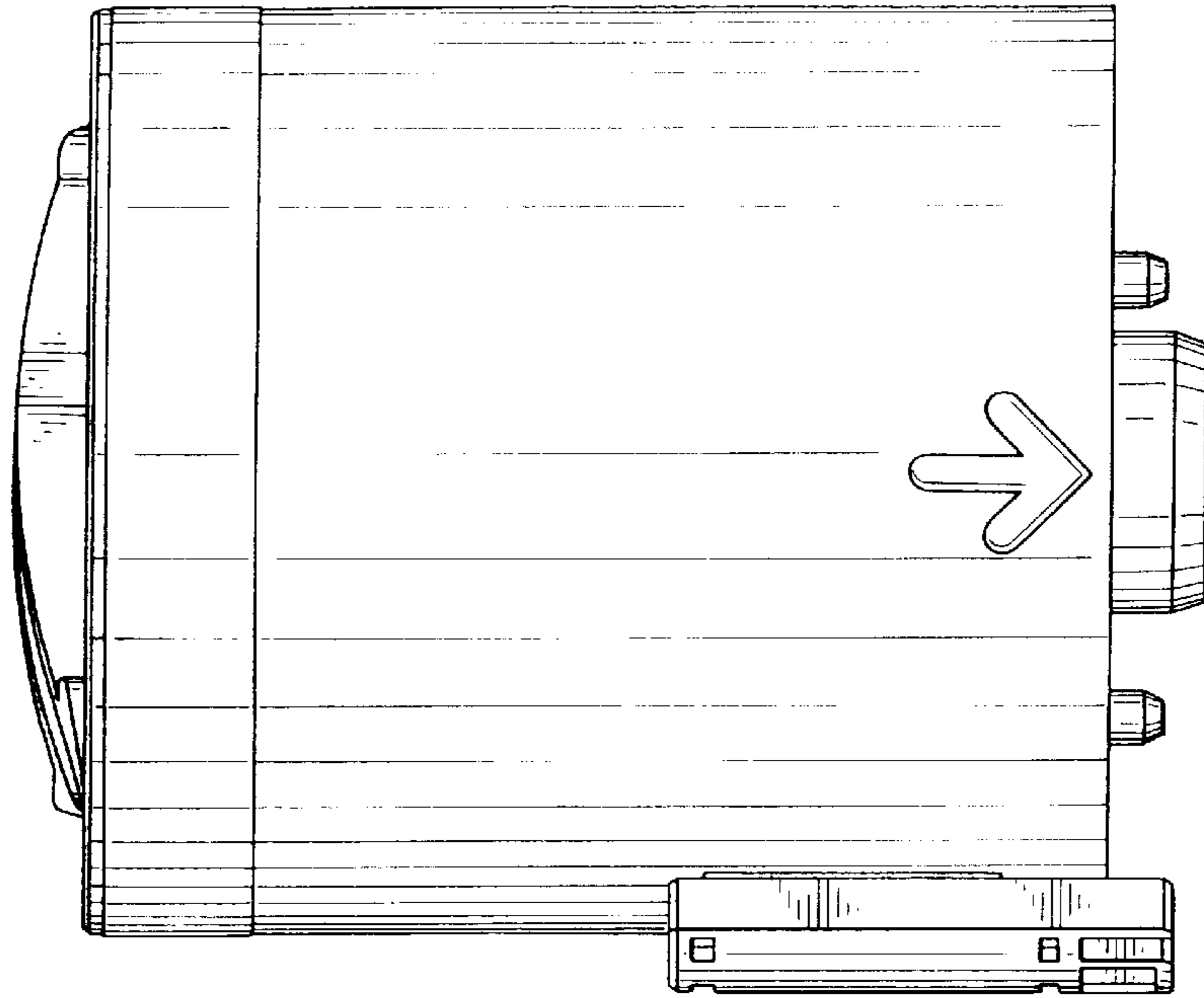
*FIG. 2*



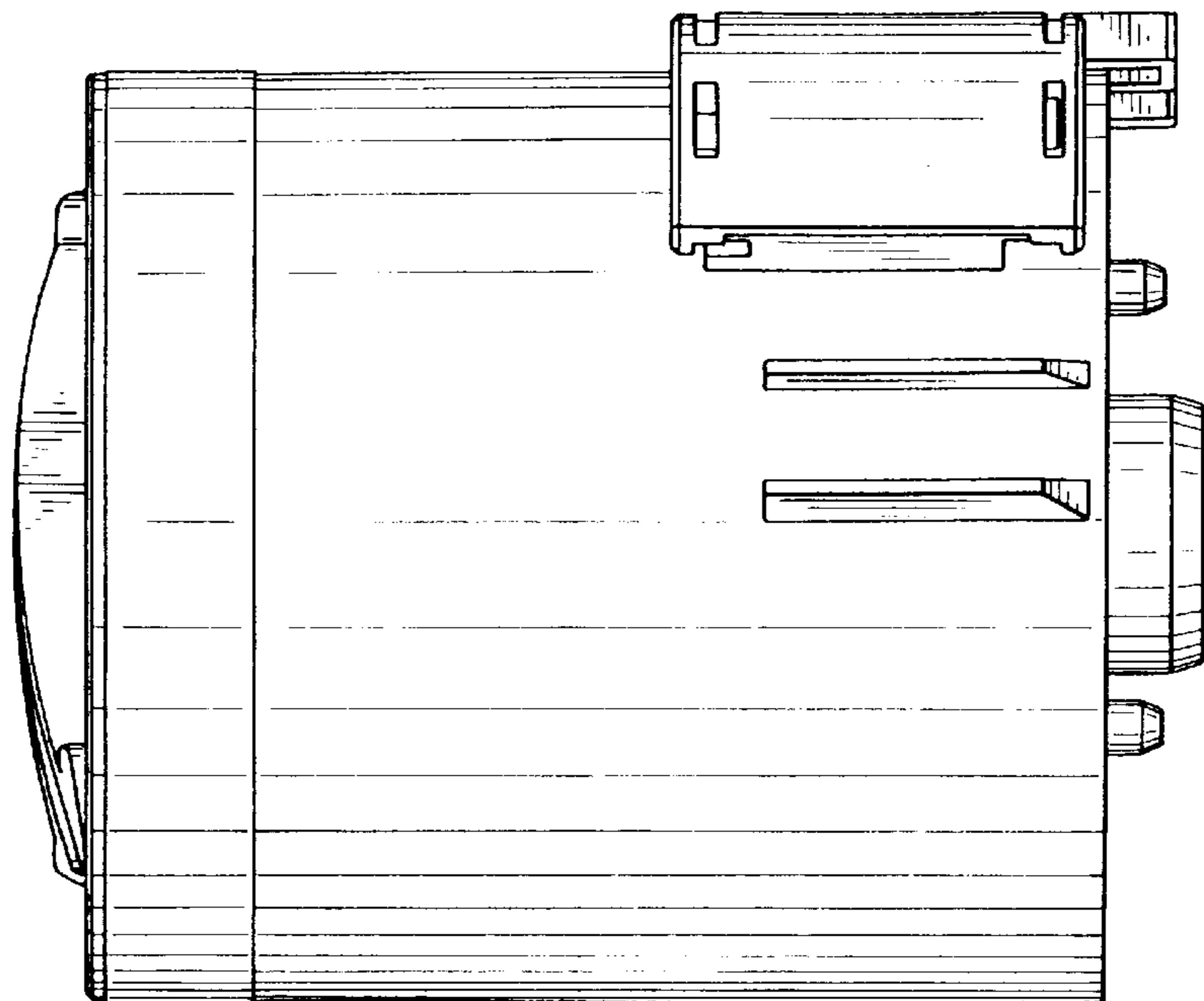
*FIG. 3*



*FIG. 4*

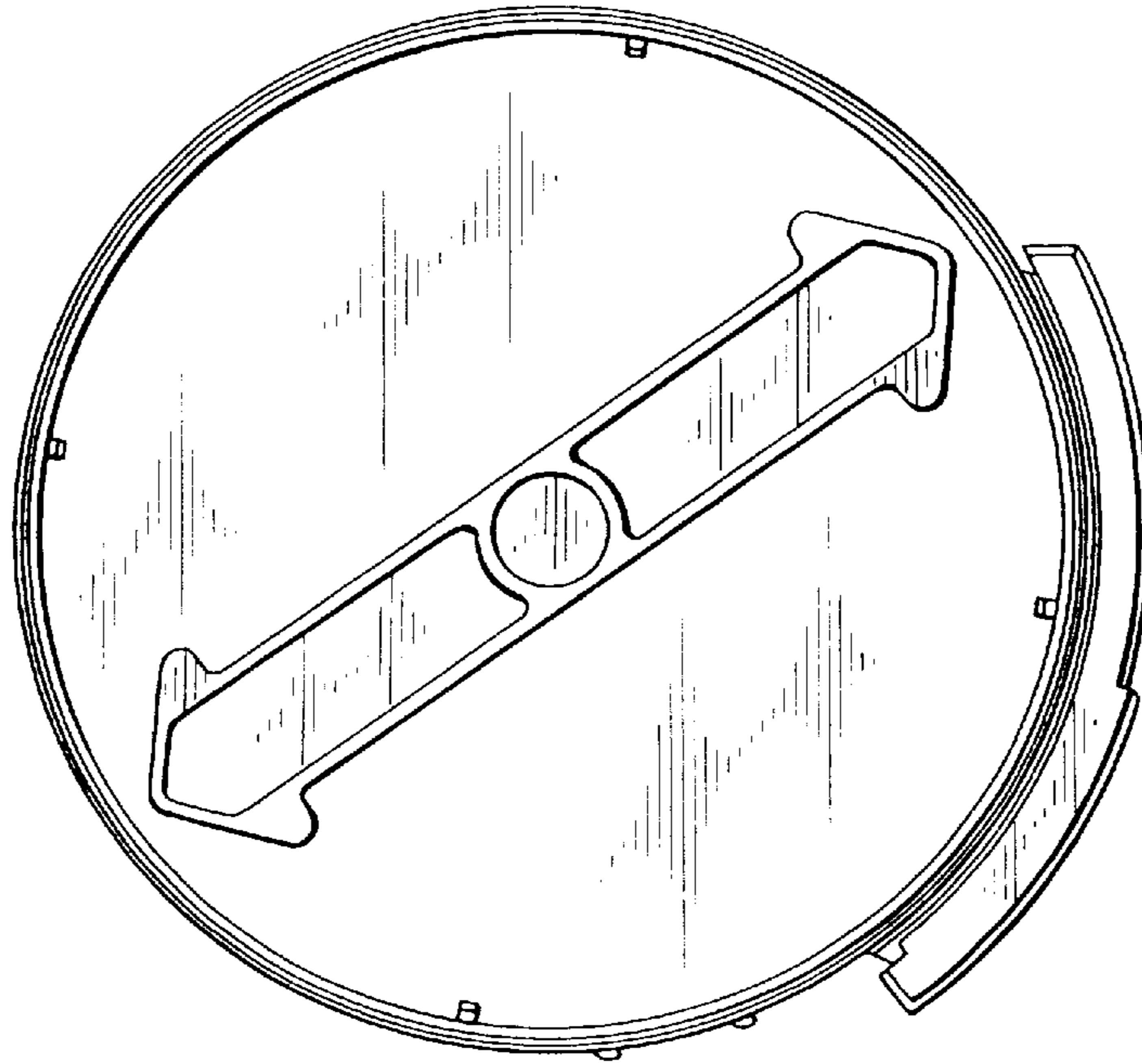


*FIG. 5*





*FIG. 6*



*FIG. 7*

