



US00D431255S

United States Patent [19] Kiyosawa

[11] Patent Number: **Des. 431,255**

[45] Date of Patent: **** Sep. 26, 2000**

[54] **GEAR FOR WAVE GEAR DRIVE**

[75] Inventor: **Yoshihide Kiyosawa**, Nagano-ken, Japan

[73] Assignee: **Harmonic Drive Systems, Inc.**, Tokyo, Japan

[**] Term: **14 Years**

[21] Appl. No.: **29/118,423**

[22] Filed: **Feb. 10, 2000**

4,934,212 6/1990 Hofmeister 74/604
 5,269,202 12/1993 Kiyosawa et al. 74/604
 5,458,023 10/1995 Ishikawa et al. 74/604
 5,715,732 2/1998 Takizawa et al. 74/604
 5,850,765 12/1998 Shirasawa 74/604

FOREIGN PATENT DOCUMENTS

61-173851 10/1986 Japan .
 3-134345 6/1991 Japan .
 3-118346 12/1991 Japan .
 4-370445 12/1992 Japan .

Primary Examiner—Antoine Duval Davis
Attorney, Agent, or Firm—Burns, Doane, Swecker & Mathis, L.L.P.

Related U.S. Application Data

[63] Continuation of application No. 09/214,421, Mar. 3, 1999, abandoned, which is a continuation of application No. PCT/JP98/02224, May 20, 1998.

[51] **LOC (7) Cl.** **15-09**
 [52] **U.S. Cl.** **D15/148**
 [58] **Field of Search** D15/148; 74/640

[57] **CLAIM**
 The ornamental design for a gear for wave gear drive, as shown and described.

[56] **References Cited**

U.S. PATENT DOCUMENTS

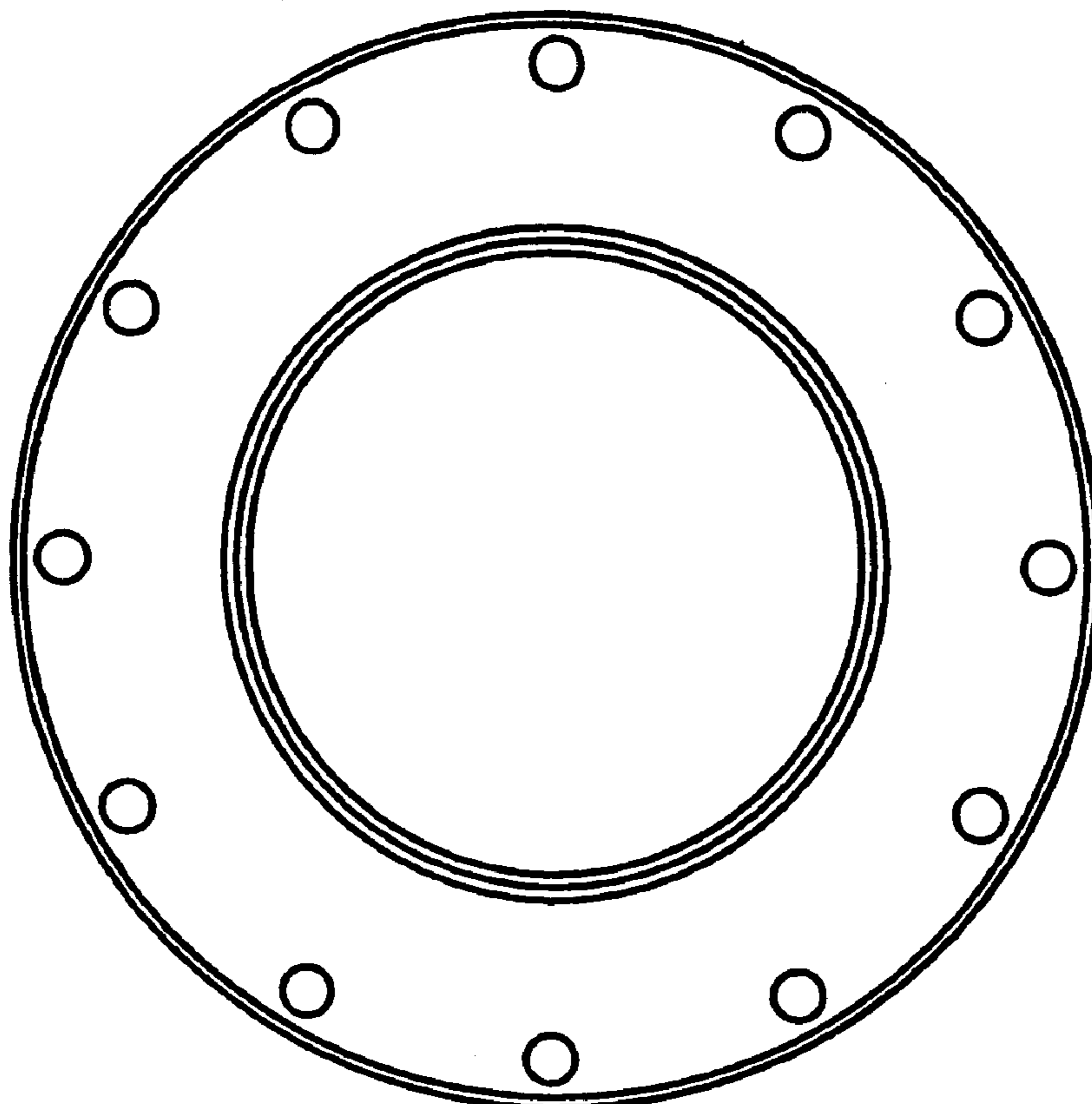
D. 296,900 7/1988 Randolph D15/148
 D. 402,299 12/1998 Mizukami D15/148
 3,996,816 12/1976 Brighton 74/640
 4,003,727 1/1977 Volkov et al. 74/604
 4,044,274 8/1977 Ohm 74/604 X

DESCRIPTION

FIG. 1 is a top view of a gear for wave gear drive, showing my new design;
 FIG. 2 is a bottom view thereof;
 FIG. 3 is a side view thereof; and,
 FIG. 4 is a cross-sectional view thereof.

The gear for wave gear drive is axially symmetrical. Accordingly, all side views thereof are substantially the same.

1 Claim, 1 Drawing Sheet



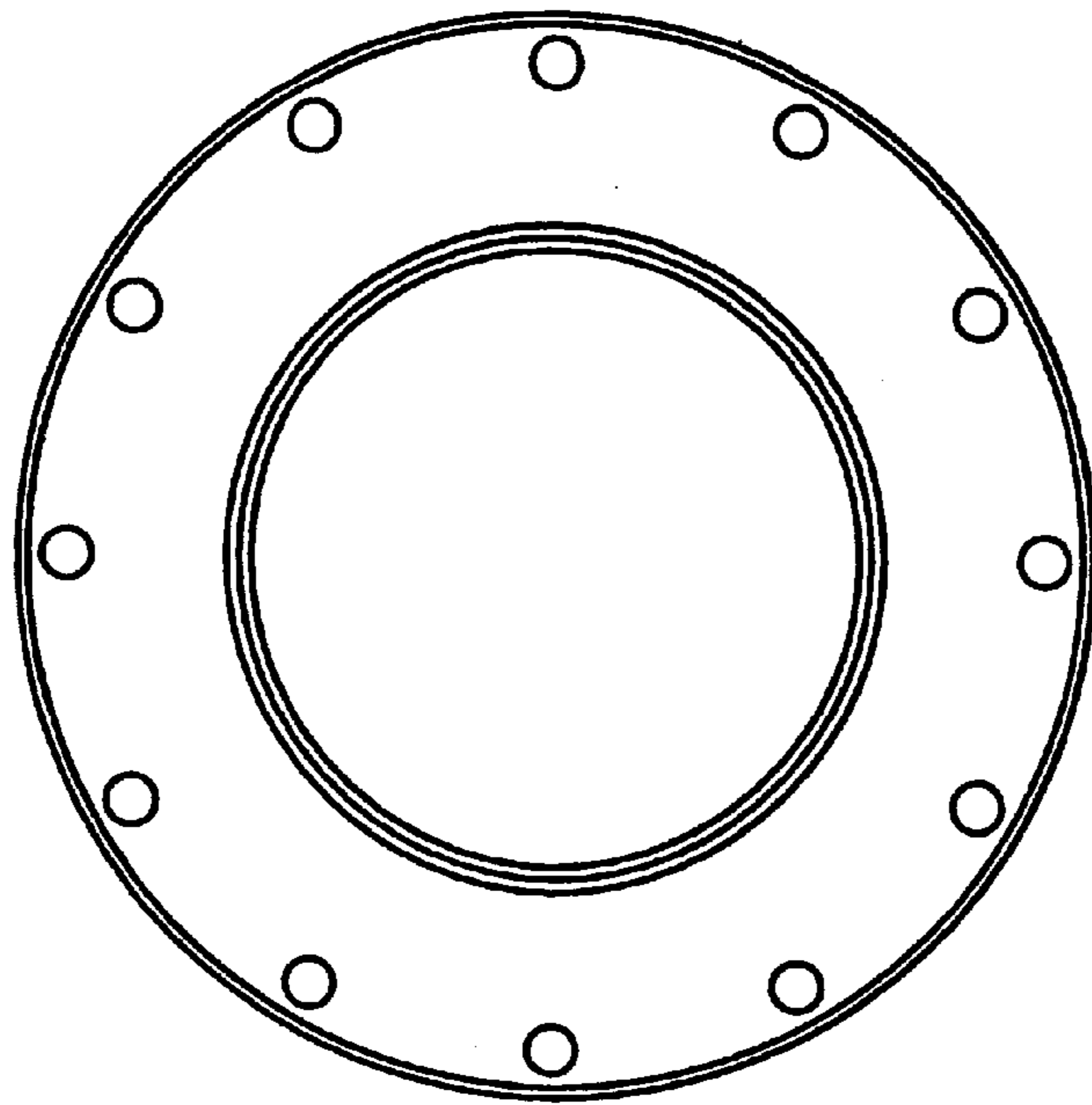


FIG. 1

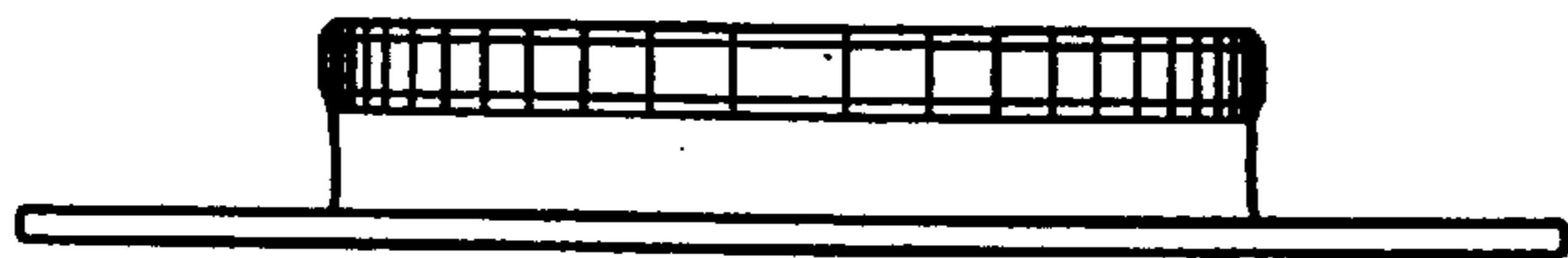


FIG. 3



FIG. 4

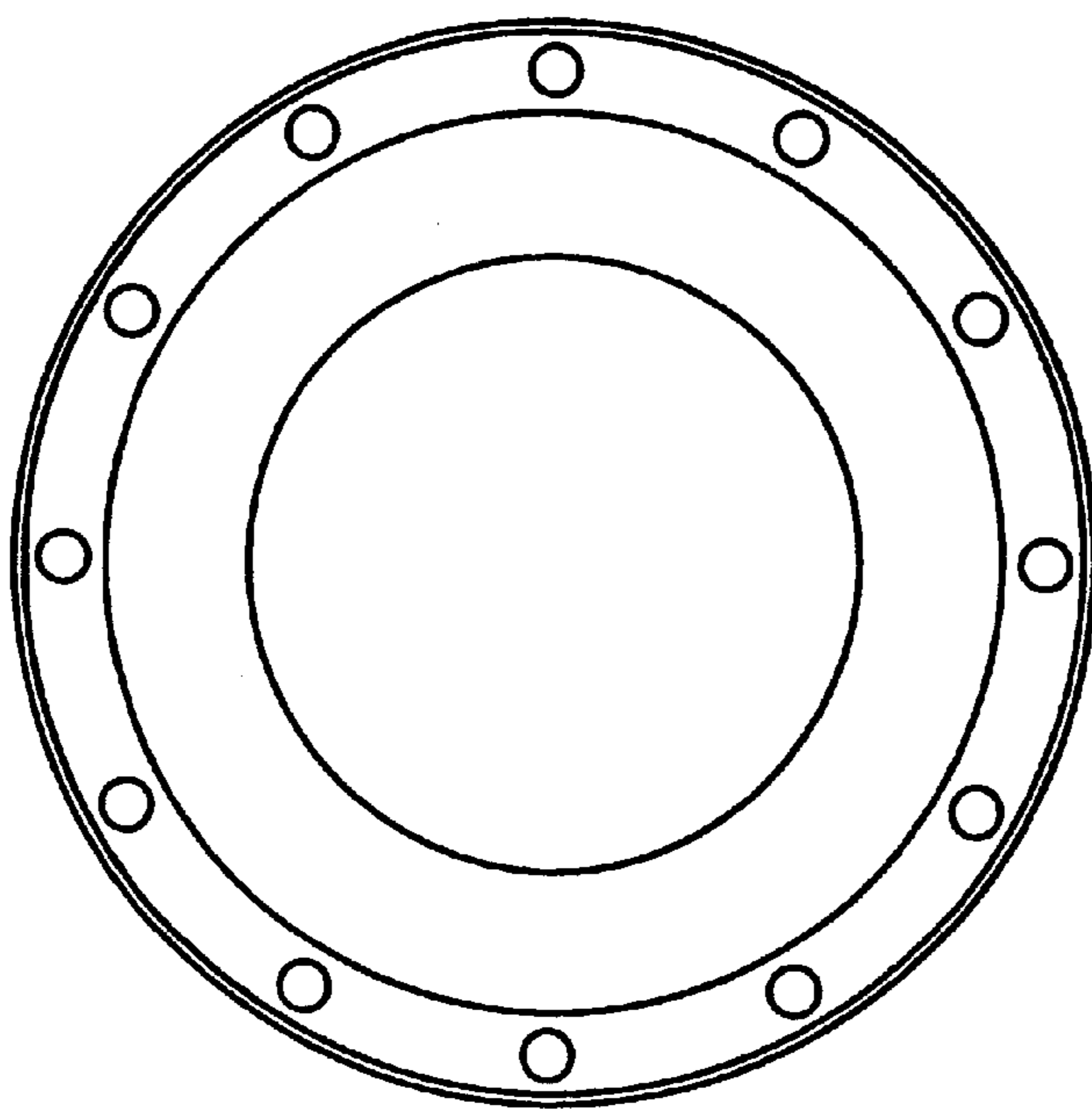


FIG. 2