



US00D431254S

United States Patent [19] Koberlein

[11] Patent Number: Des. 431,254

[45] Date of Patent: ** Sep. 26, 2000

[54] **ROLLER CONDITIONER IMPLEMENT**

[75] Inventor: **Ross Koberlein**, Brownston, Ill.

[73] Assignee: **Worksaver, Inc.**, Litchfield, Ill.

[**] Term: **14 Years**

[21] Appl. No.: **29/102,234**

[22] Filed: **Mar. 22, 1999**

[51] **LOC (7) Cl.** **15-03**

[52] **U.S. Cl.** **D15/27; D15/28**

[58] **Field of Search** D15/10, 11, 20,
D15/22-29; 56/14.4, DIG. 1; 172/540,
554; 404/121, 125

[56] **References Cited**

U.S. PATENT DOCUMENTS

D. 233,059	10/1974	Sawyer et al.	D15/27
D. 233,462	10/1974	Barela	D15/27
D. 286,293	10/1986	Germain	D15/28
3,867,052	2/1975	Durham	404/121
4,068,453	1/1978	Hill et al.	56/14.4
4,499,712	2/1985	Klinner	56/16.4 R
5,540,004	7/1996	Patterson et al.	37/244

OTHER PUBLICATIONS

Progressive Farmer, Dec. 1993. p. P/G 5, Labor Savers Aerator.

Primary Examiner—Sandra L. Morris
Attorney, Agent, or Firm—Paul M. Denk

[57] **CLAIM**

The ornamental design for the roller conditioner implement, as shown and described.

DESCRIPTION

FIG. 1 is a perspective view of the roller conditioner implement of this invention;

FIG. 2 is a top plan view thereof, the tillage crossbar to which this implement attaches being shown in phantom line;

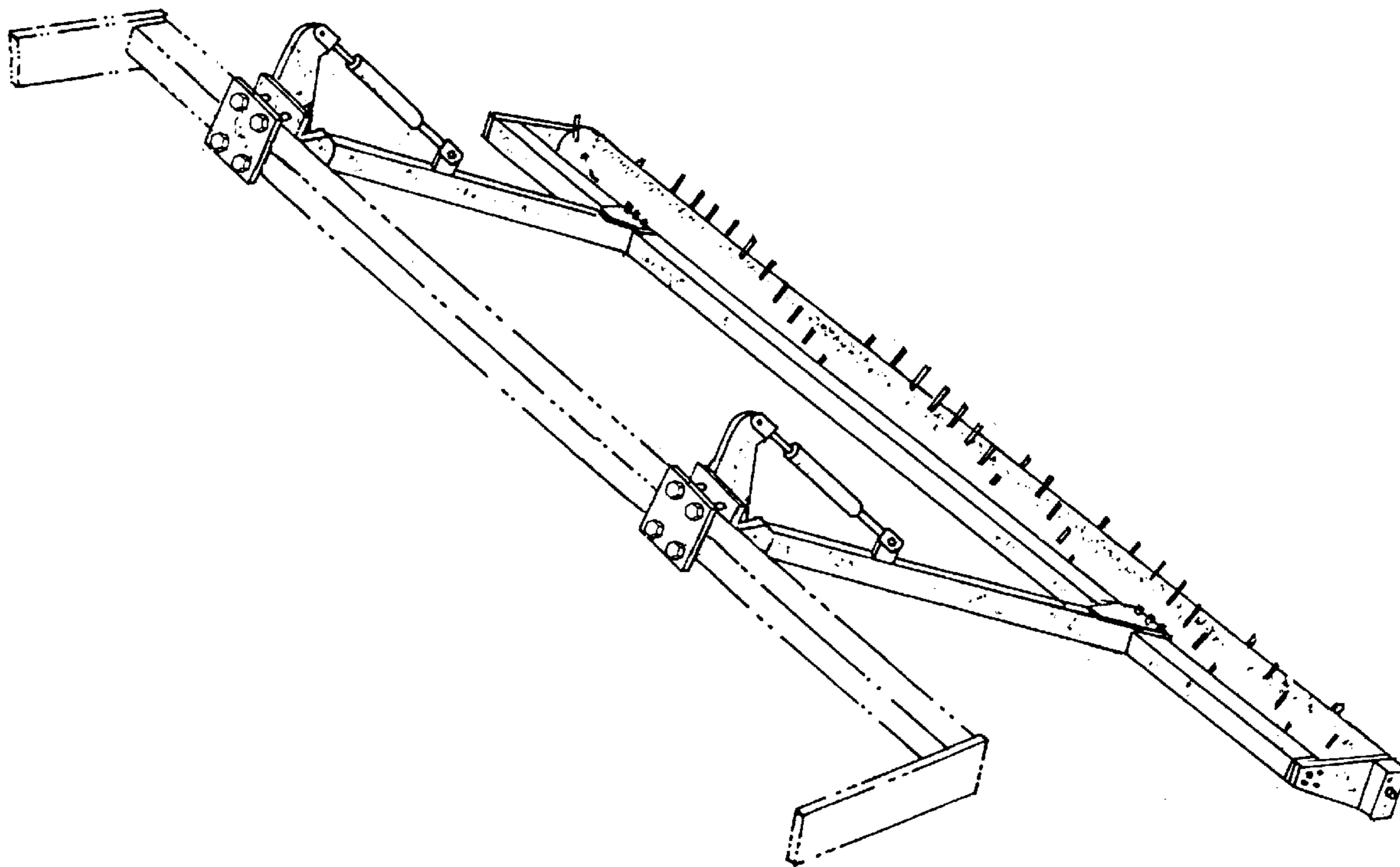
FIG. 3 is a bottom plan view;

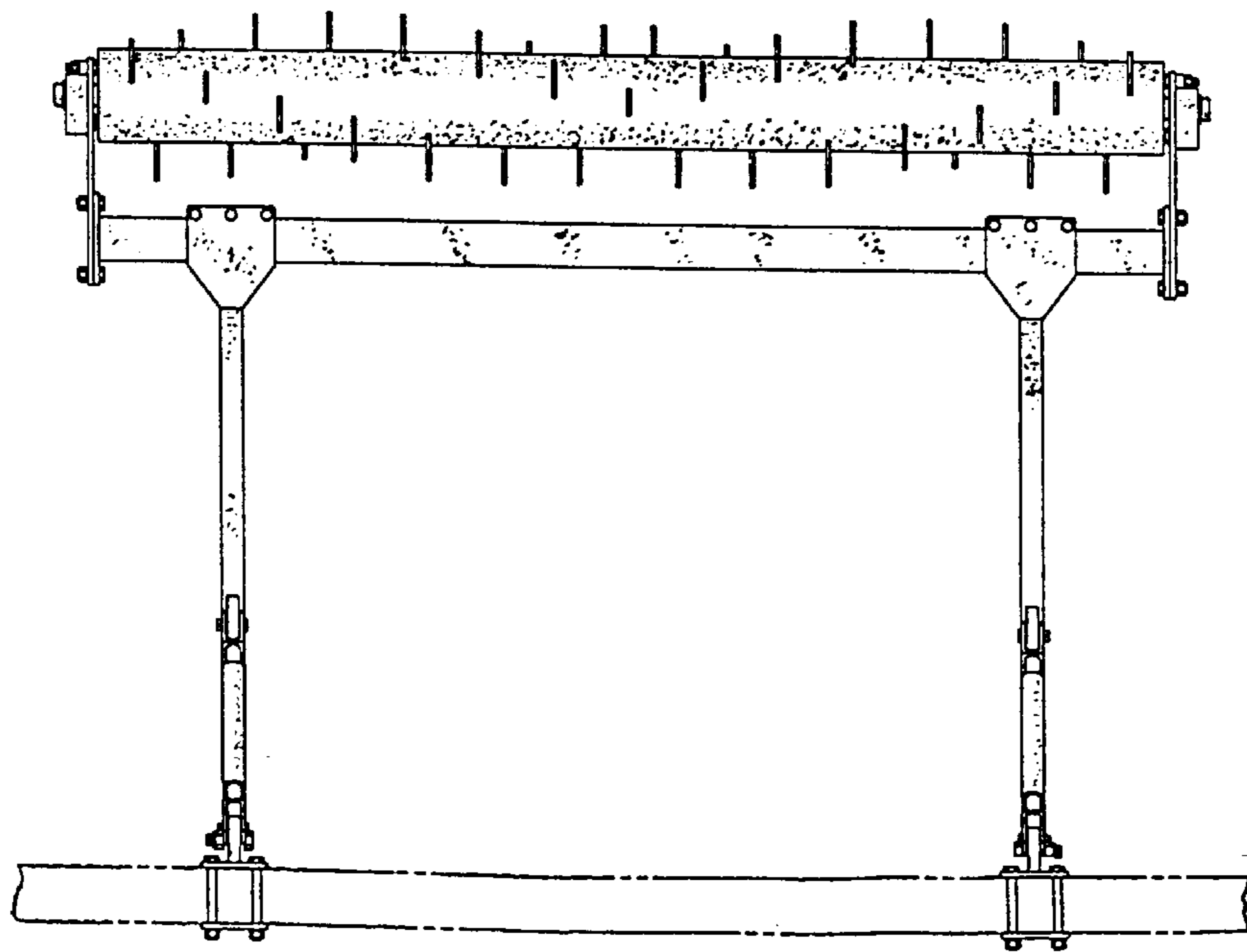
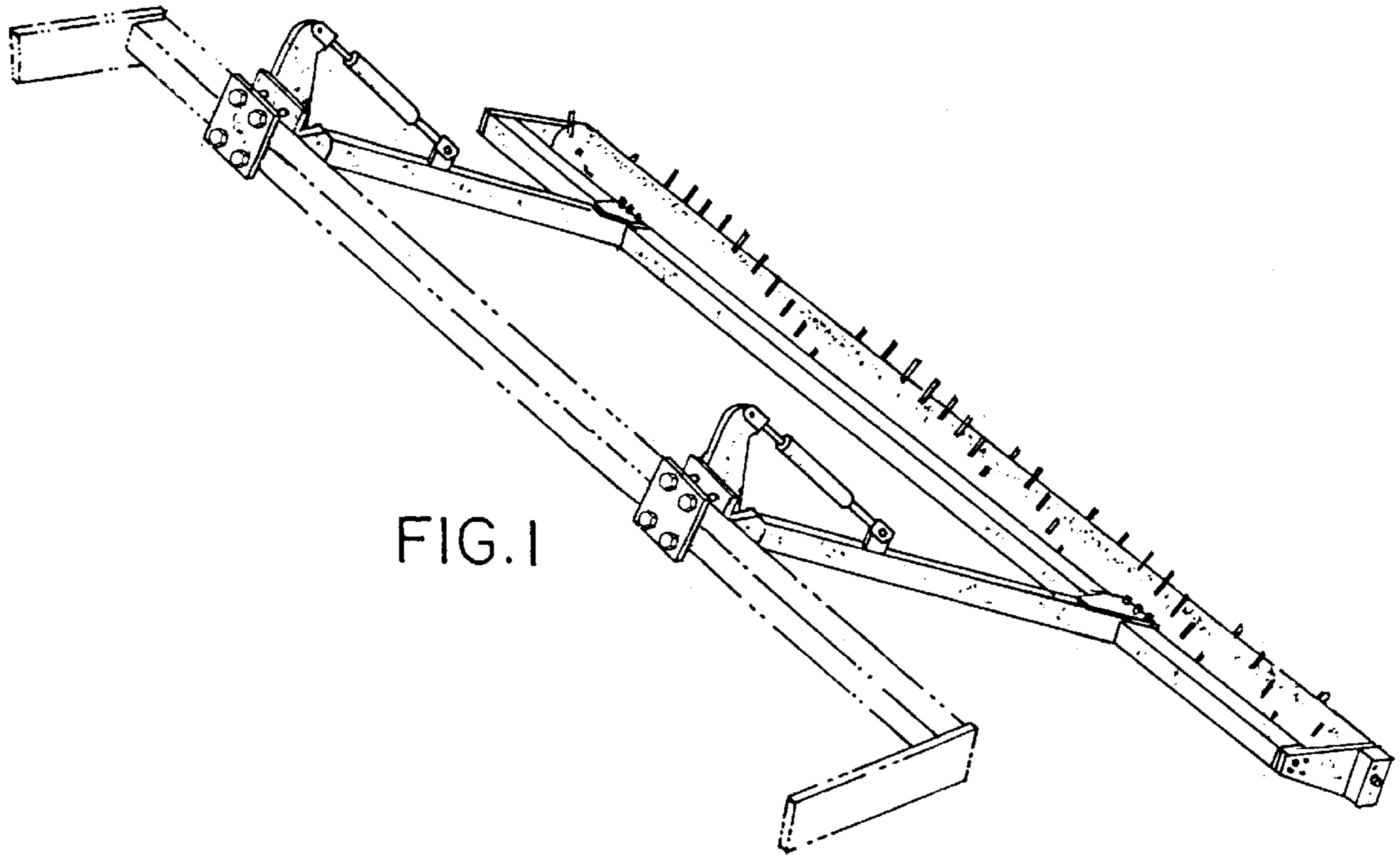
FIG. 4 is a left side view, showing the implement slightly elevated; and,

FIG. 5 is a left side view of the roller conditioner implement of this invention applied to the surface of the ground.

The broken line showing is for illustrative purposes only, and forms no part of the claimed design.

1 Claim, 2 Drawing Sheets





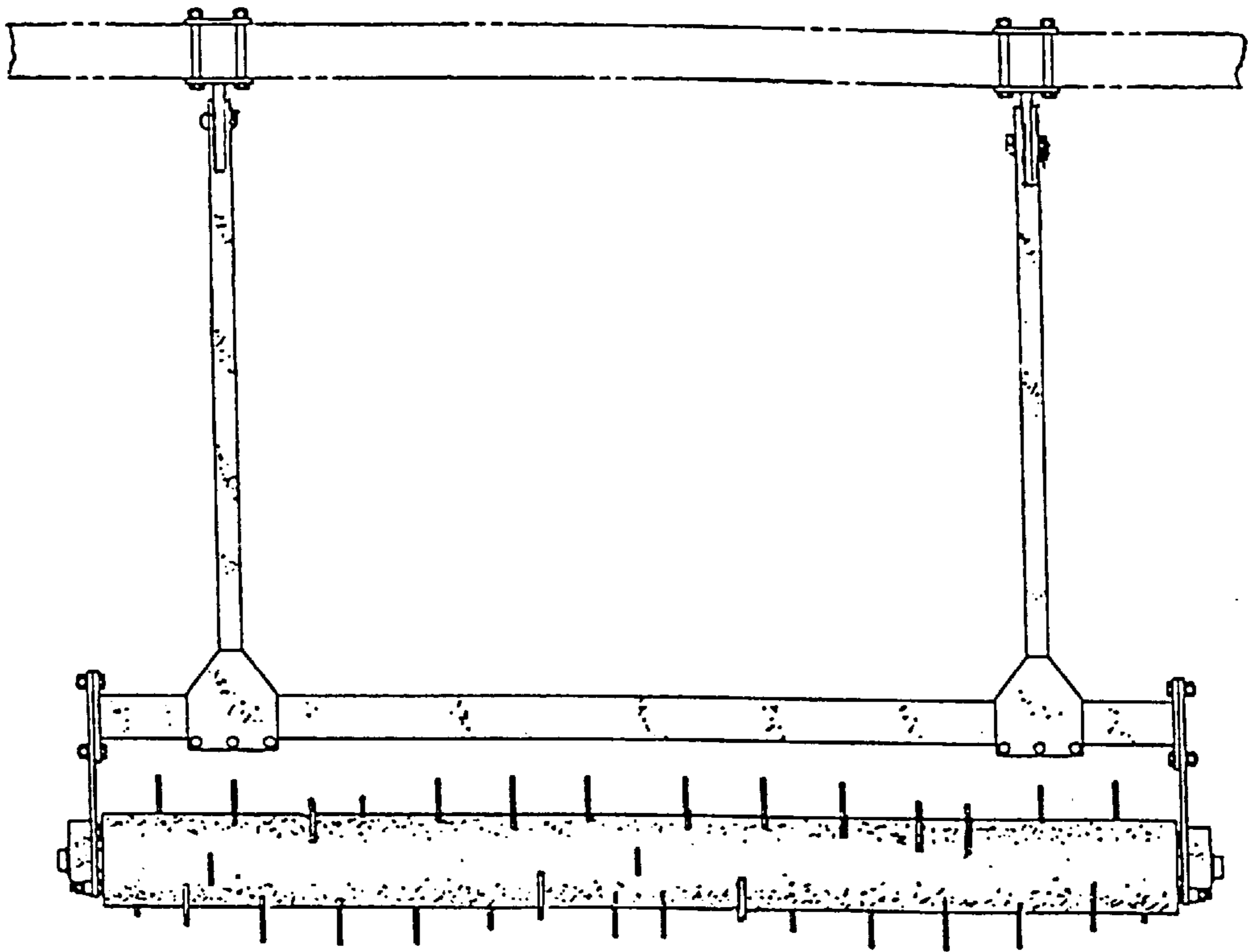


FIG. 3

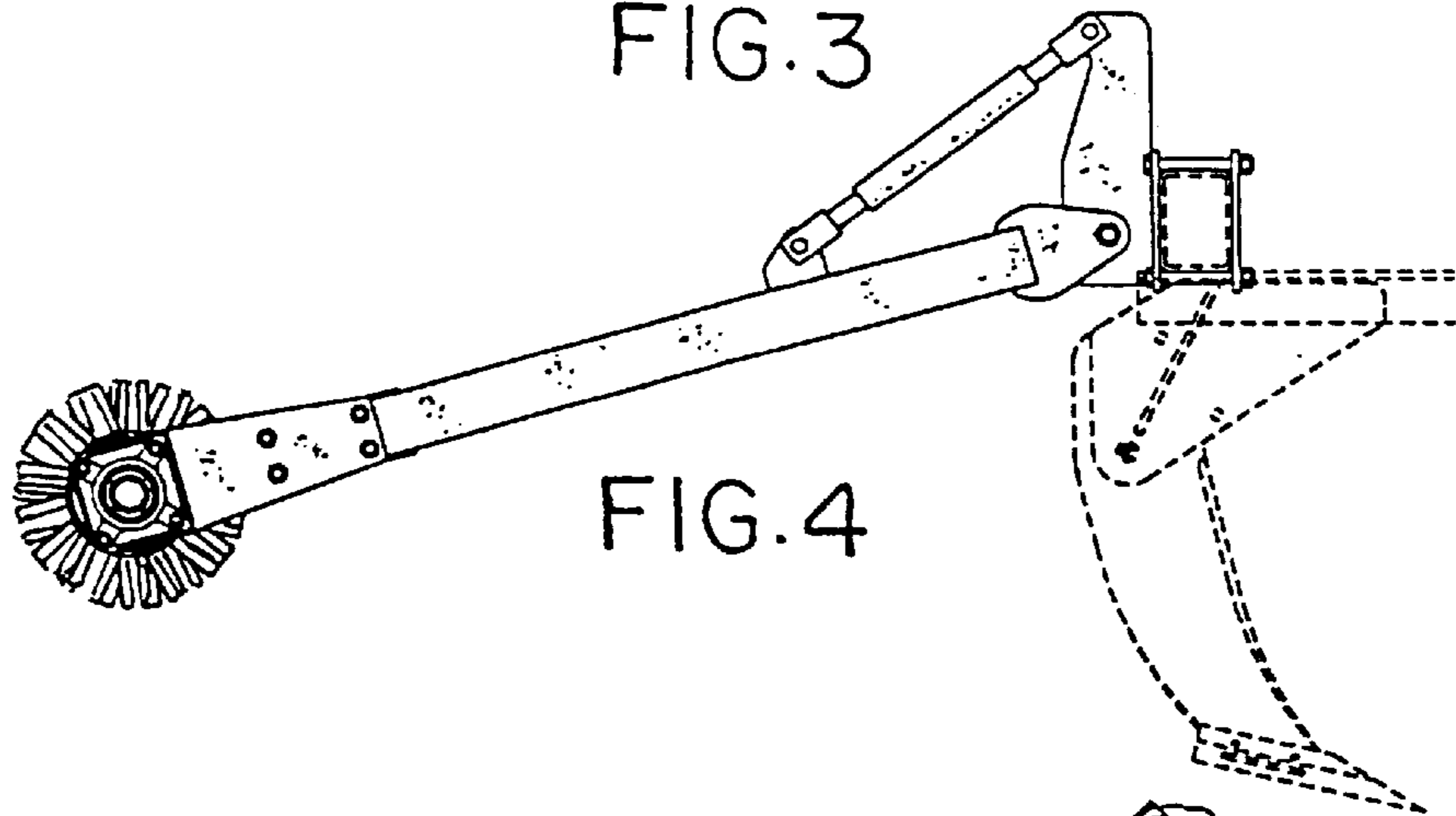


FIG. 4

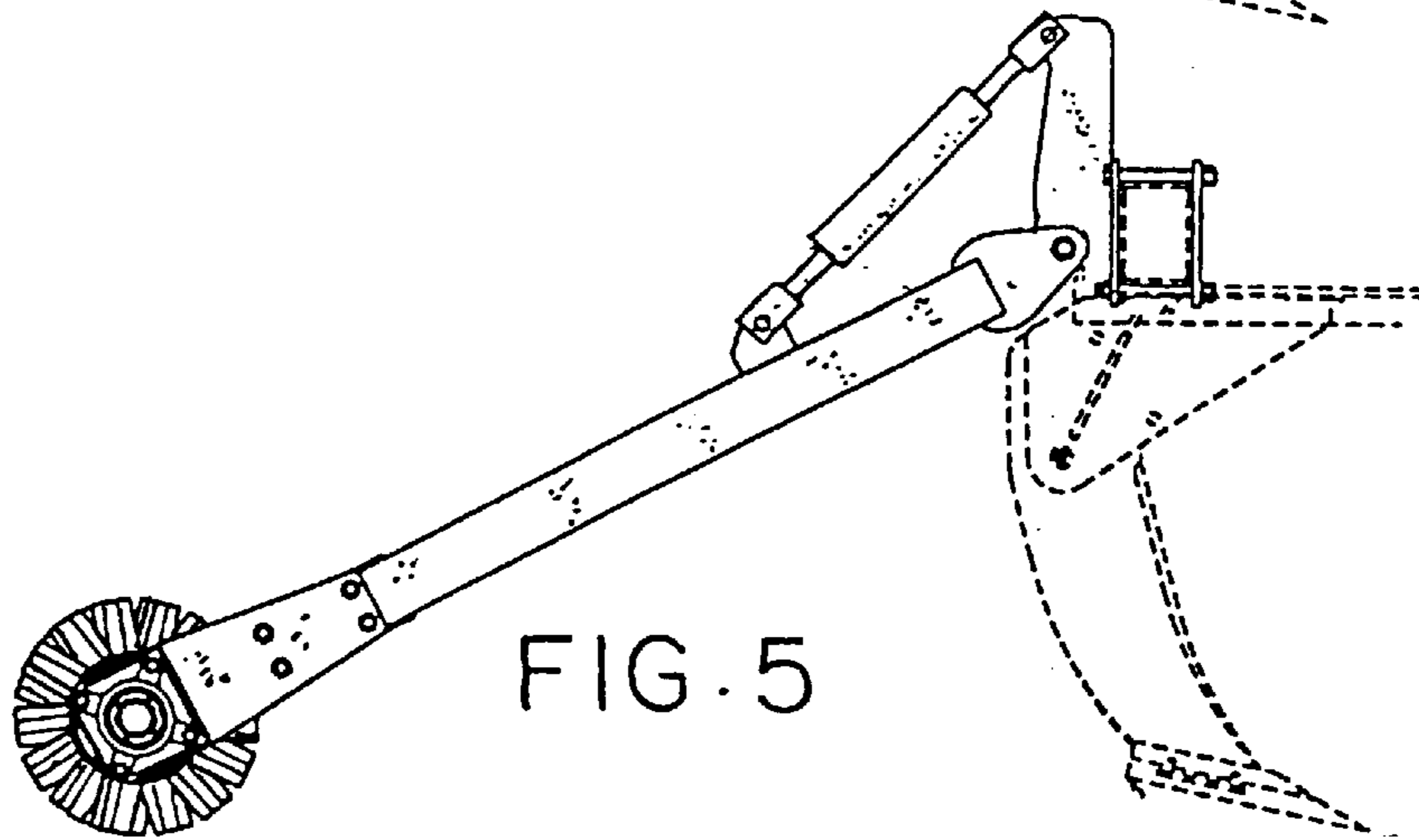


FIG. 5