



US00D431253S

# United States Patent [19]

Marchetta et al.

[11] Patent Number: **Des. 431,253**

[45] Date of Patent: **\*\* Sep. 26, 2000**

[54] **TRACTOR MOUNTED SCOOP**

[75] Inventors: **Henri Marchetta**, Sevrier; **Jacques Fournier**, Belley; **André Malankiewicz**, Chazey Bons, all of France

[73] Assignee: **Groupe Pel-Job**, Annecy le Vieux, France

[\*\*] Term: **14 Years**

[21] Appl. No.: **29/107,141**

[22] Filed: **Jun. 28, 1999**

[30] **Foreign Application Priority Data**

Dec. 28, 1998 [XH] Hague Agreement ..... DM/046212

[51] **LOC (7) Cl.** ..... **15-04**

[52] **U.S. Cl.** ..... **D15/25; D15/24**

[58] **Field of Search** ..... D15/10, 22-26, D15/28, 31; 180/89.1, 89.12, 900; 296/190.1; 414/680, 685, 694, 698, 719, 743

[56] **References Cited**

**U.S. PATENT DOCUMENTS**

D. 273,384	4/1984	Nasu et al. ....	D15/24
D. 338,019	8/1993	Bhambra .....	D15/25
D. 391,272	2/1998	Jin et al. ....	D15/25
D. 406,152	2/1999	Miyaoka et al. ....	D15/25
4,776,750	10/1988	Griswold, Jr. et al. ....	414/698

*Primary Examiner*—Sandra L. Morris  
*Attorney, Agent, or Firm*—Wall Marjama Bilinski & Burr

[57] **CLAIM**

We claim the ornamental design for a tractor mounted scoop, as shown and described.

**DESCRIPTION**

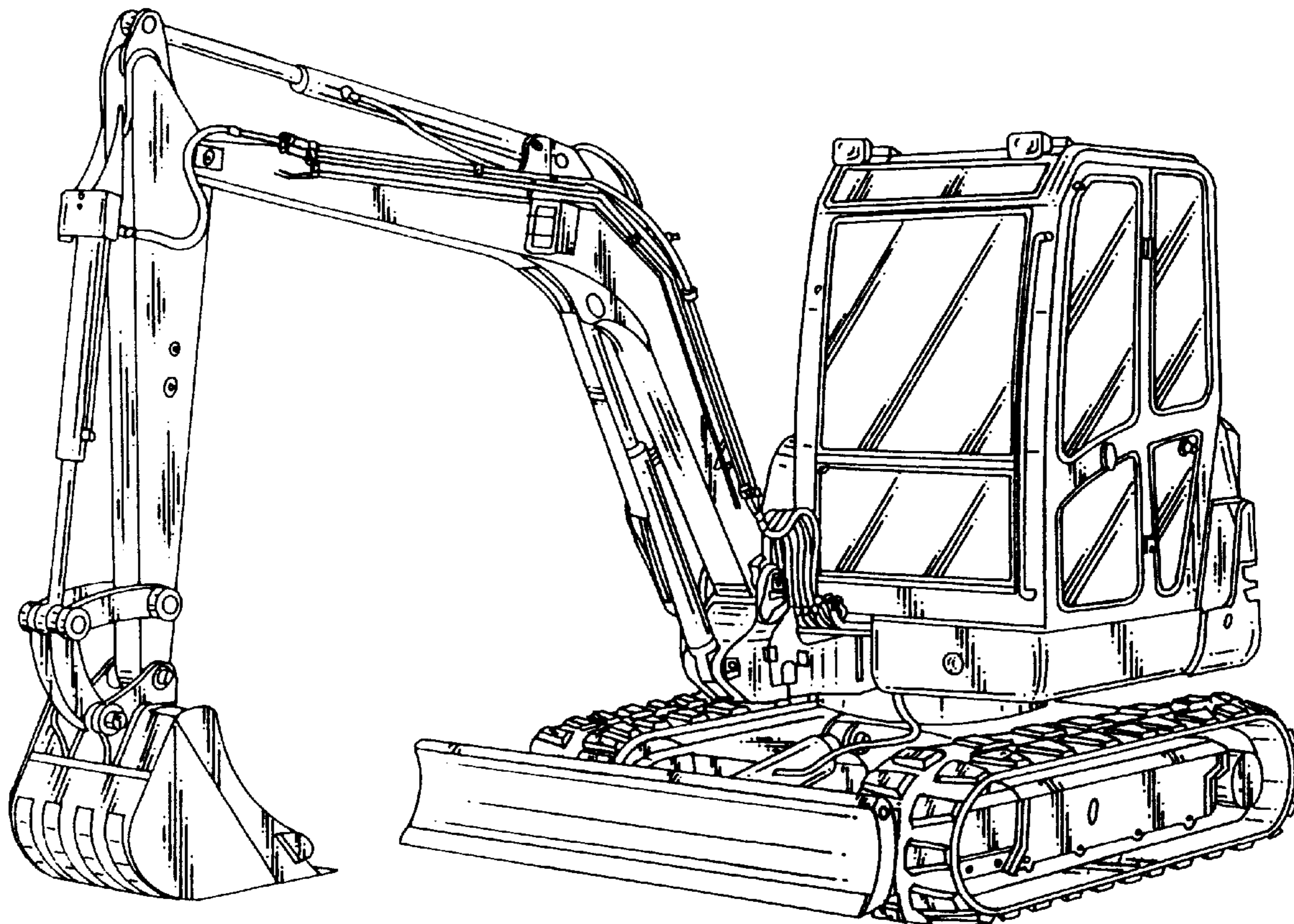
FIG. 1 is a front perspective view of a tractor mounted scoop, illustrating our new design;

FIG. 2 is a rear perspective view thereof; and,

FIG. 3 is a top perspective view thereof.

The bottom of the tractor mounted scoop is plain and unornamented.

**1 Claim, 2 Drawing Sheets**



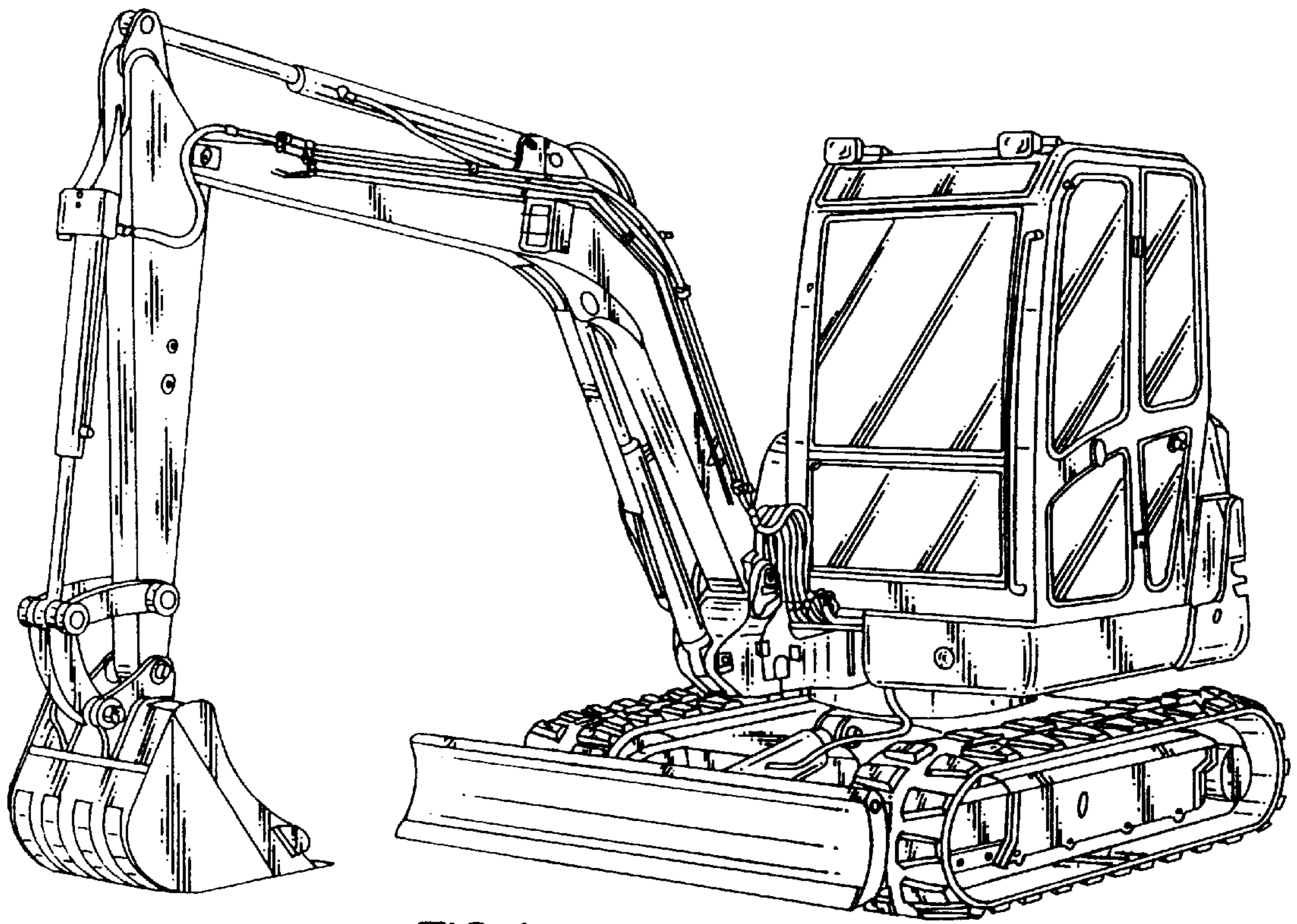


FIG. 1

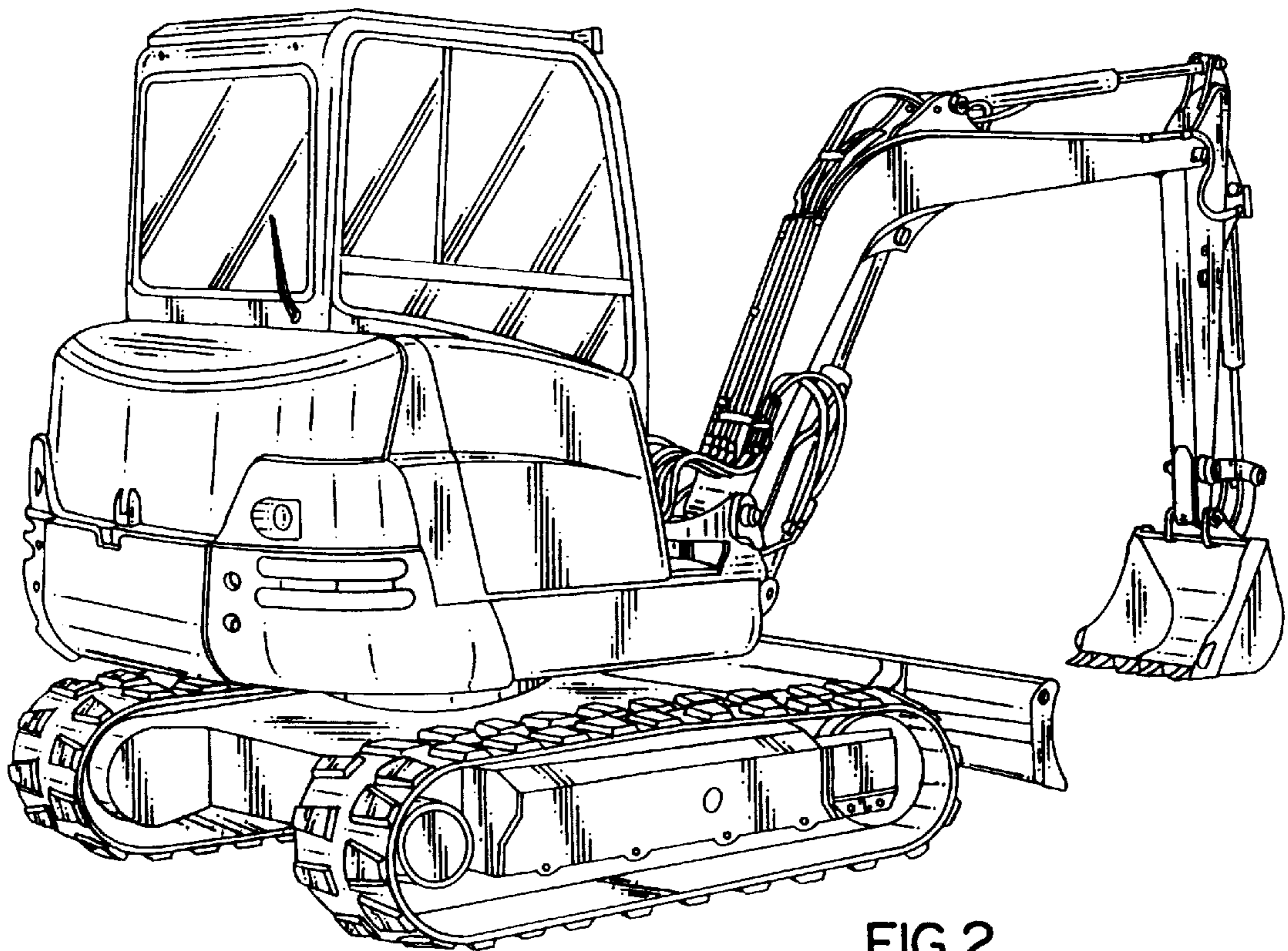


FIG. 2



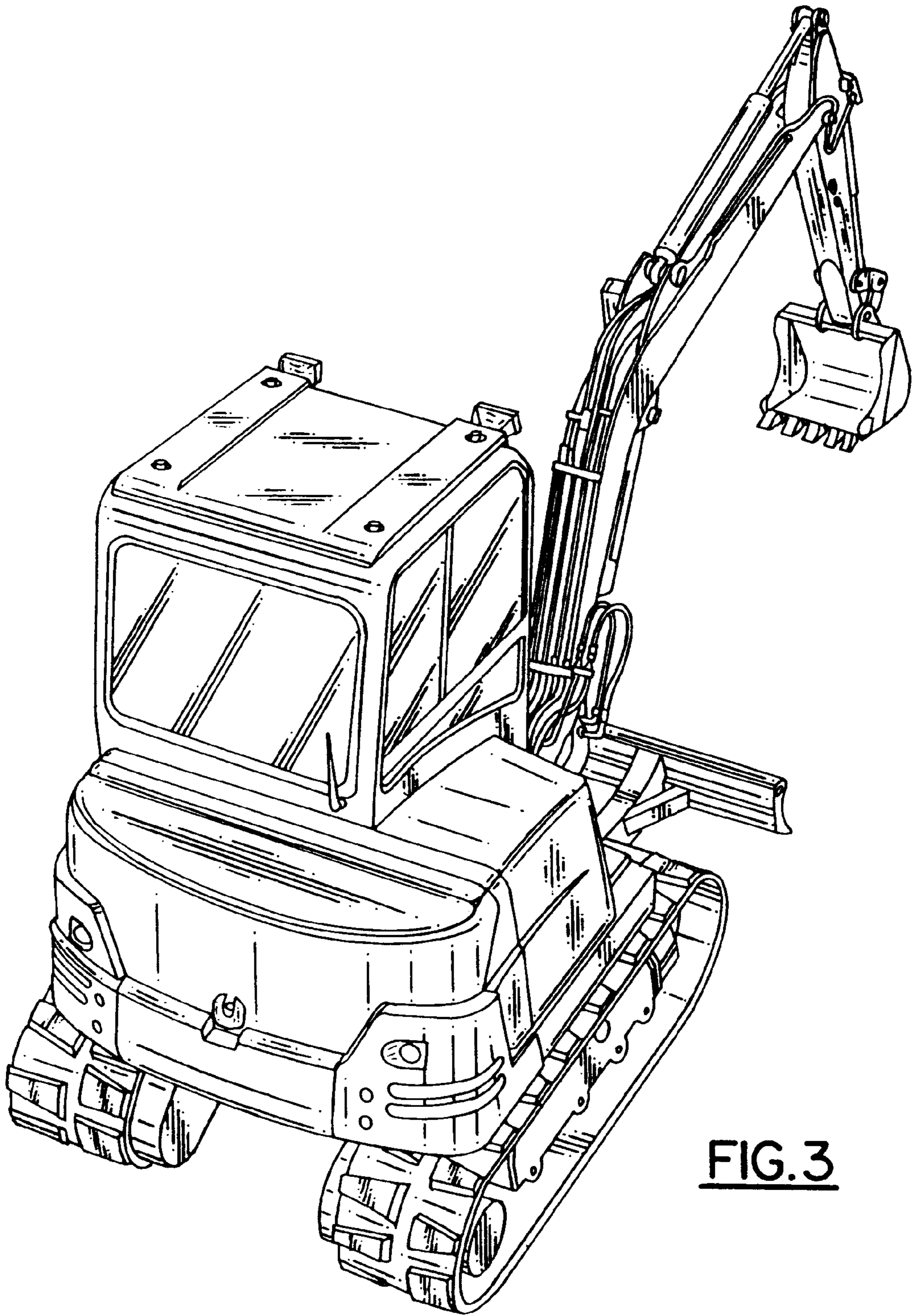


FIG. 3