



US00D431251S

United States Patent [19]
Fujimoto

[11] **Patent Number: Des. 431,251**

[45] **Date of Patent: ** Sep. 26, 2000**

[54] **FACSIMILE MACHINE**

[75] **Inventor: Hidetoshi Fujimoto, Hiroshima-ken, Japan**

[73] **Assignee: Sharp Kabushiki Kaisha, Osaka, Japan**

[**] **Term: 14 Years**

[21] **Appl. No.: 29/109,030**

[22] **Filed: Aug. 10, 1999**

[30] **Foreign Application Priority Data**

Feb. 10, 1999 [JP] Japan 11-3001

[51] **LOC (7) Cl. 16-03**

[52] **U.S. Cl. D14/463**

[58] **Field of Search** D14/462-471,
D14/496; 358/400, 401, 425; D18/36, 37,
50

[56] **References Cited**

U.S. PATENT DOCUMENTS

- D. 272,538 2/1984 Yoshihama et al. D14/463
- D. 355,179 2/1995 Sawada et al. .

- D. 363,713 10/1995 Kanari et al. .
- D. 370,479 6/1996 Omino D14/463
- D. 383,744 9/1997 Matsushima et al. .
- D. 390,551 2/1998 Omono D14/463
- D. 421,979 3/2000 Agata D14/470
- 5,329,377 7/1994 Gregg 358/400
- 5,387,980 2/1995 Britz et al. 358/400

Primary Examiner—Prabhakar Deshmukh
Attorney, Agent, or Firm—Nixon & Vanderhye

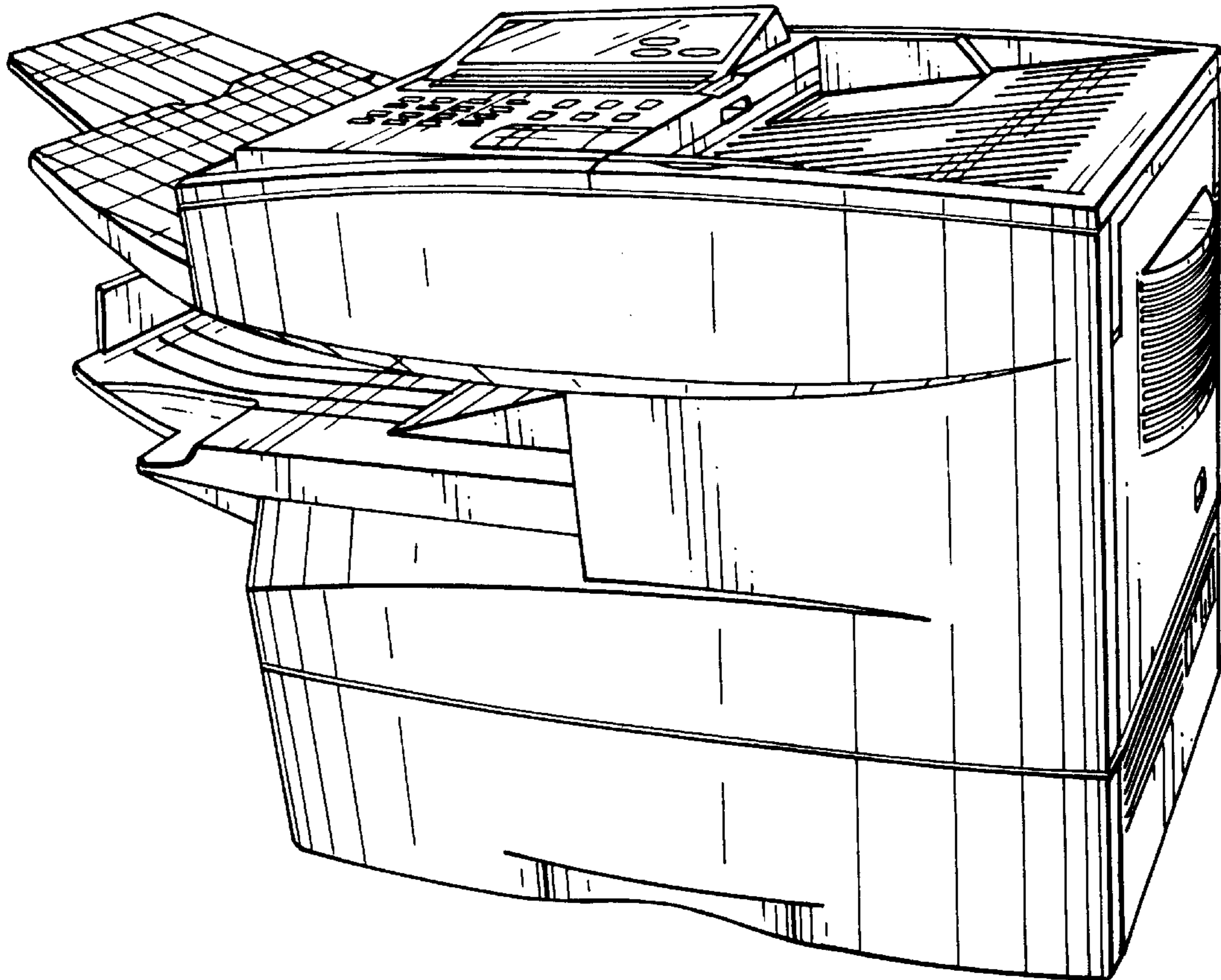
[57] **CLAIM**

The ornamental design for a facsimile machine, as shown and described.

DESCRIPTION

FIG. 1 is a top, front and right side perspective view of a facsimile machine according to my design;
FIG. 2 is a top plan view thereof;
FIG. 3 is a front elevational view thereof;
FIG. 4 is a right side elevational view thereof;
FIG. 5 is a rear elevational view thereof;
FIG. 6 is a left side elevational view thereof; and,
FIG. 7 is a bottom plan view thereof.

1 Claim, 7 Drawing Sheets



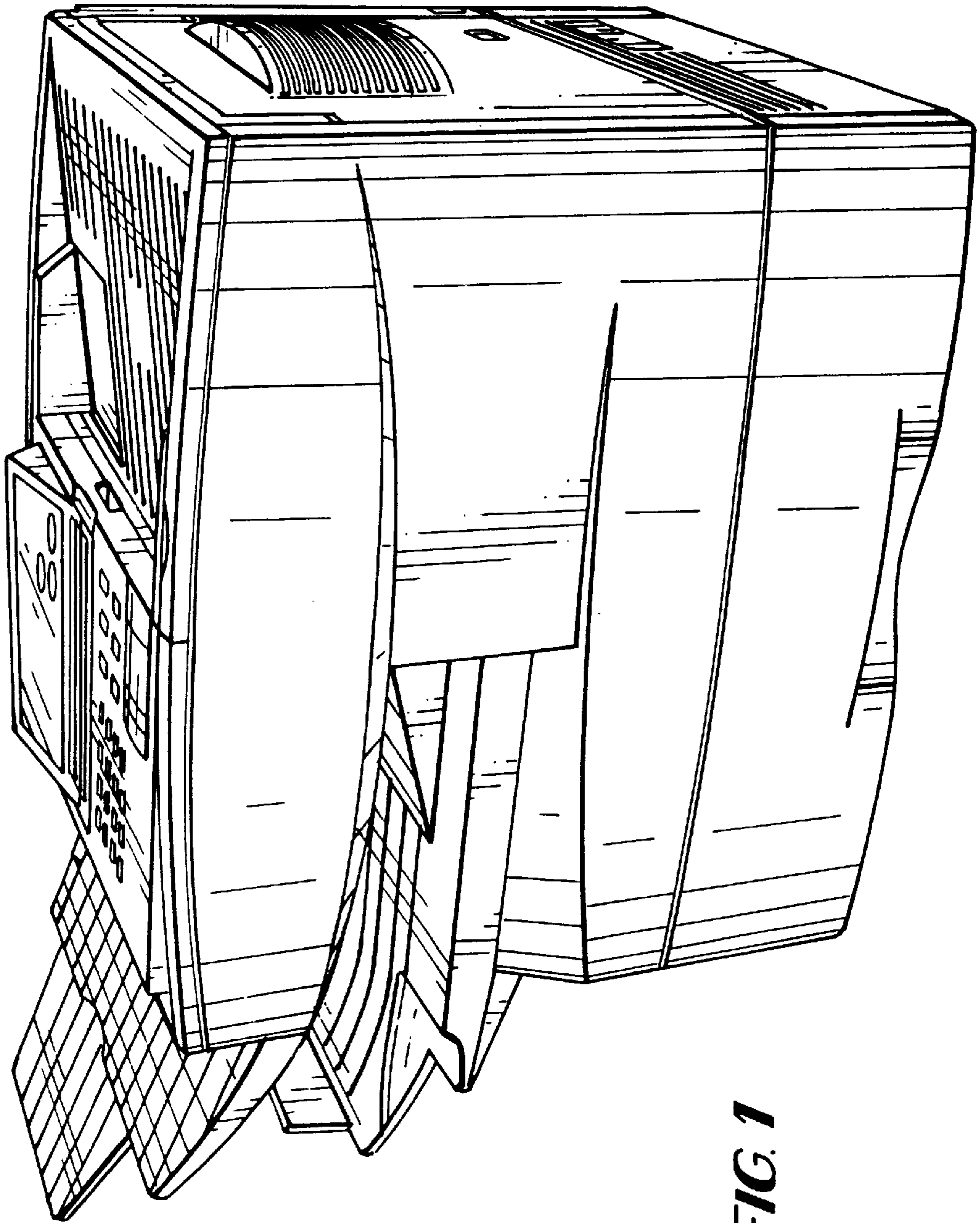


FIG. 1

FIG. 2

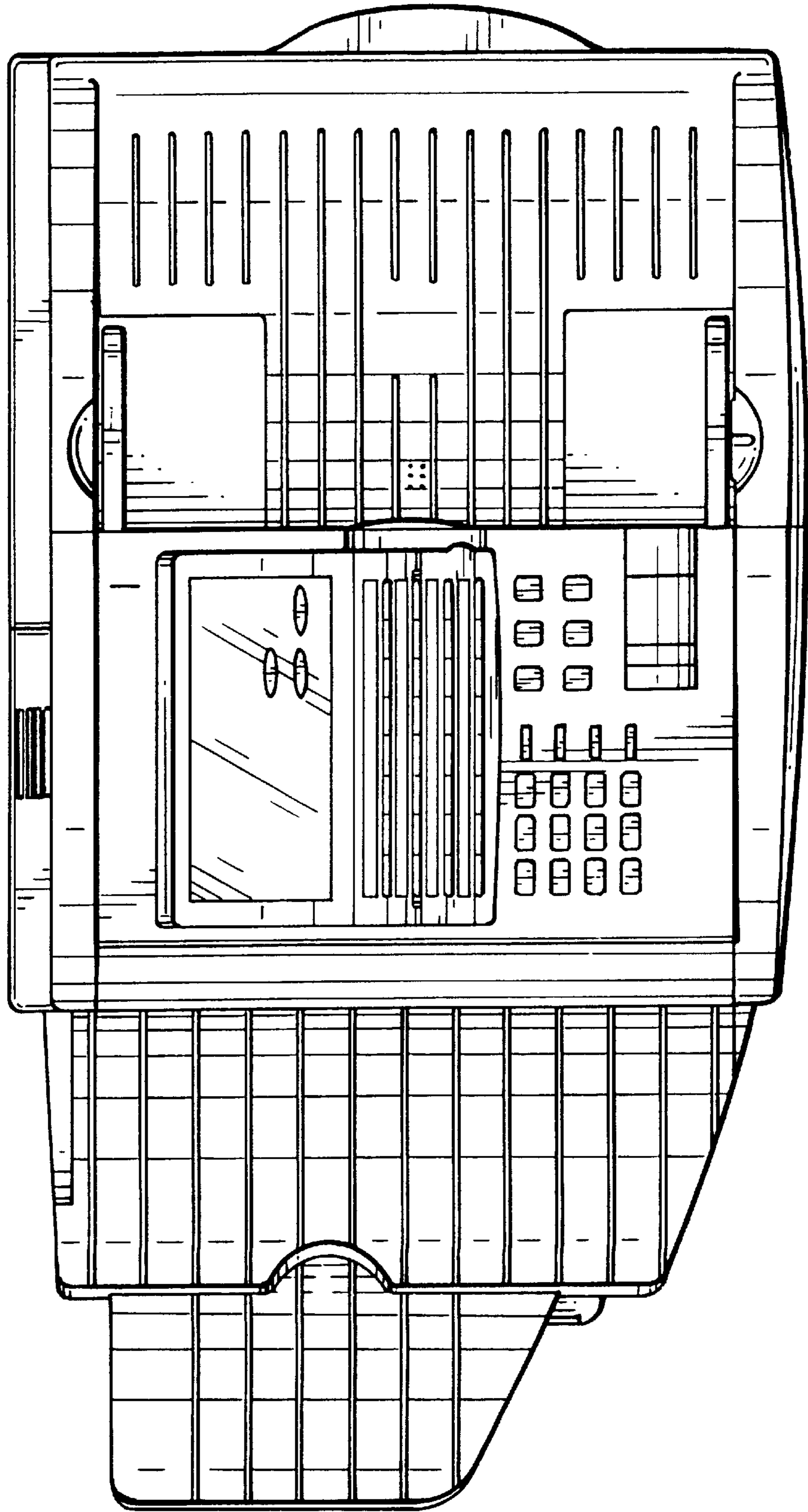


FIG. 3

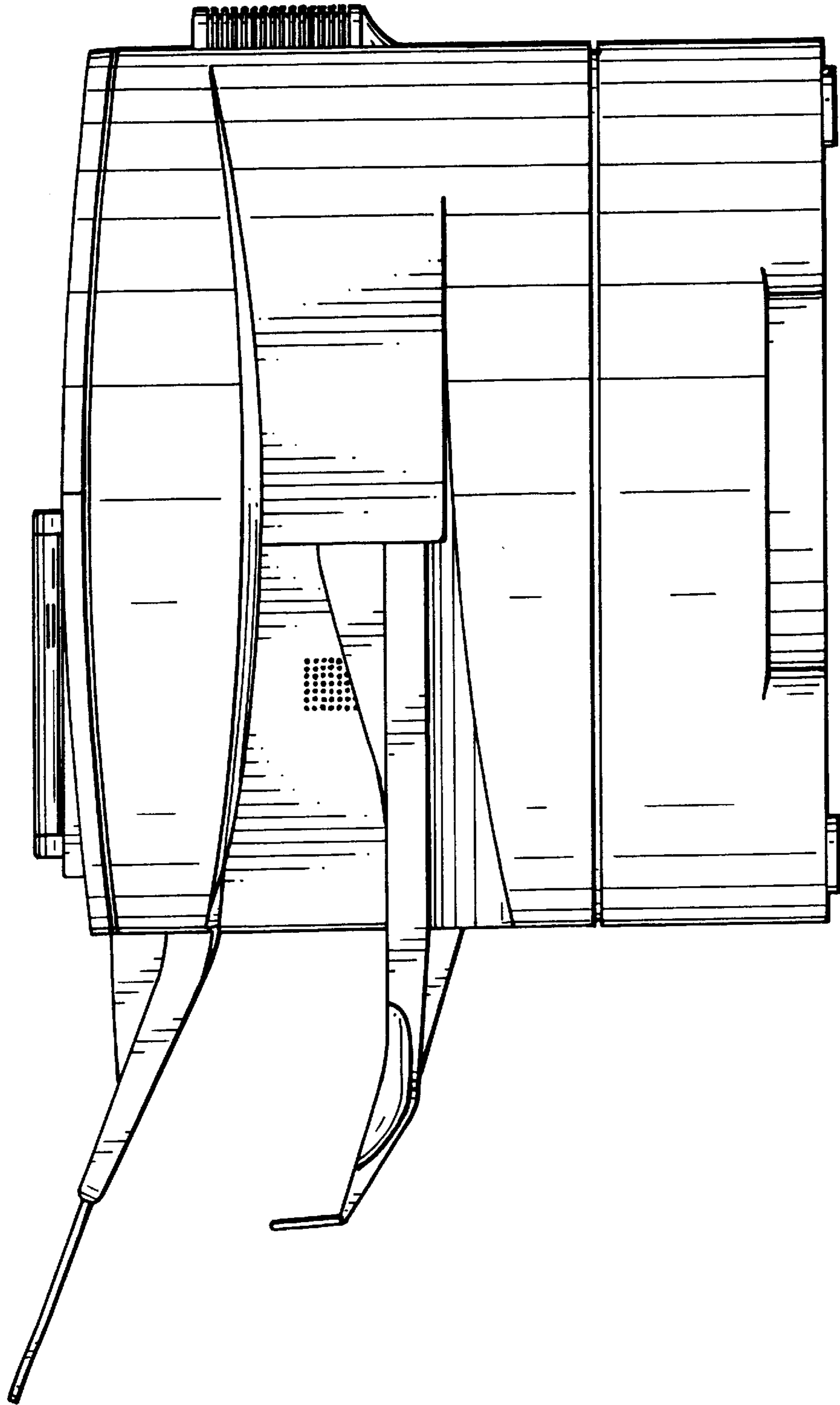


FIG. 4

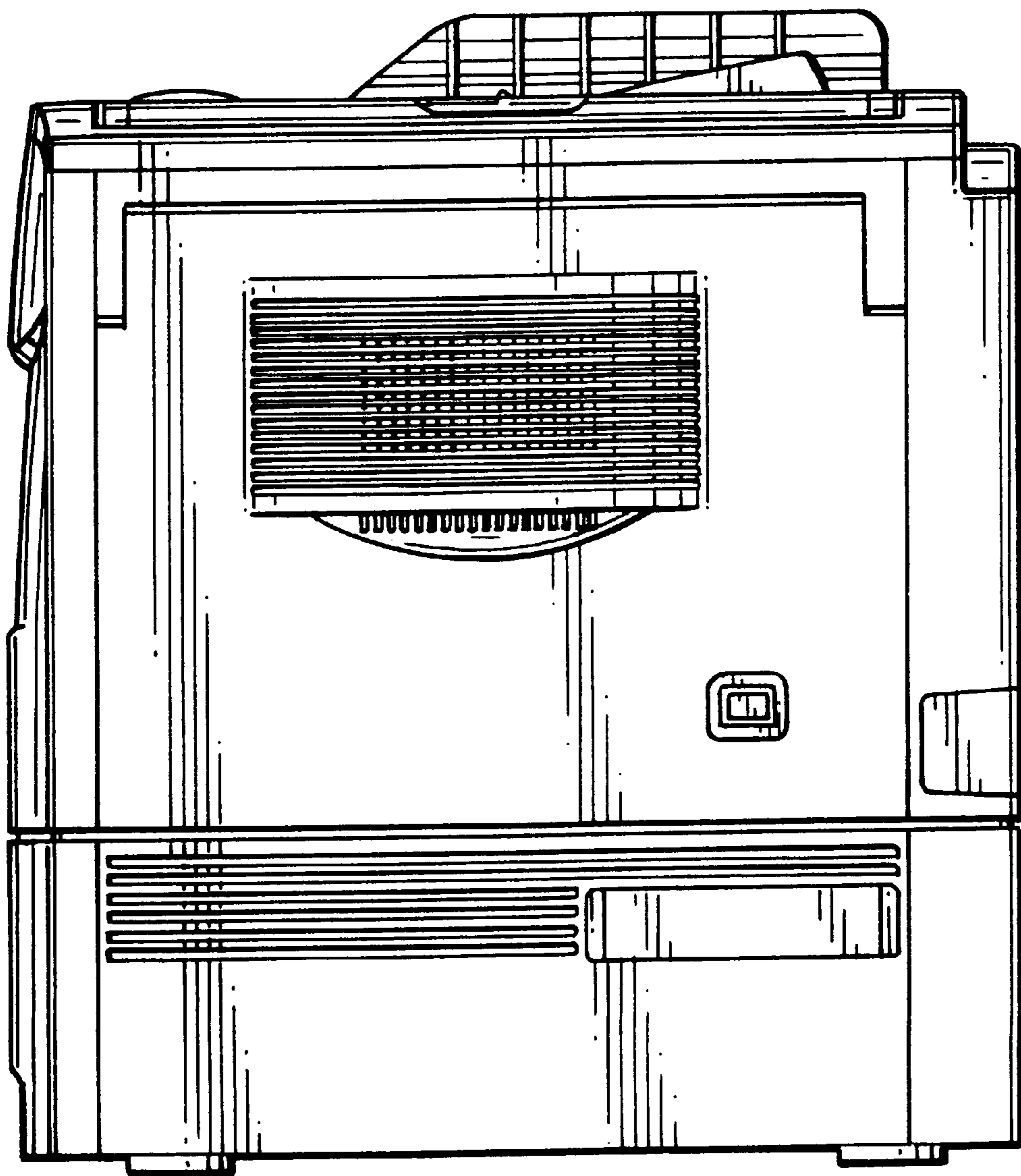


FIG. 5

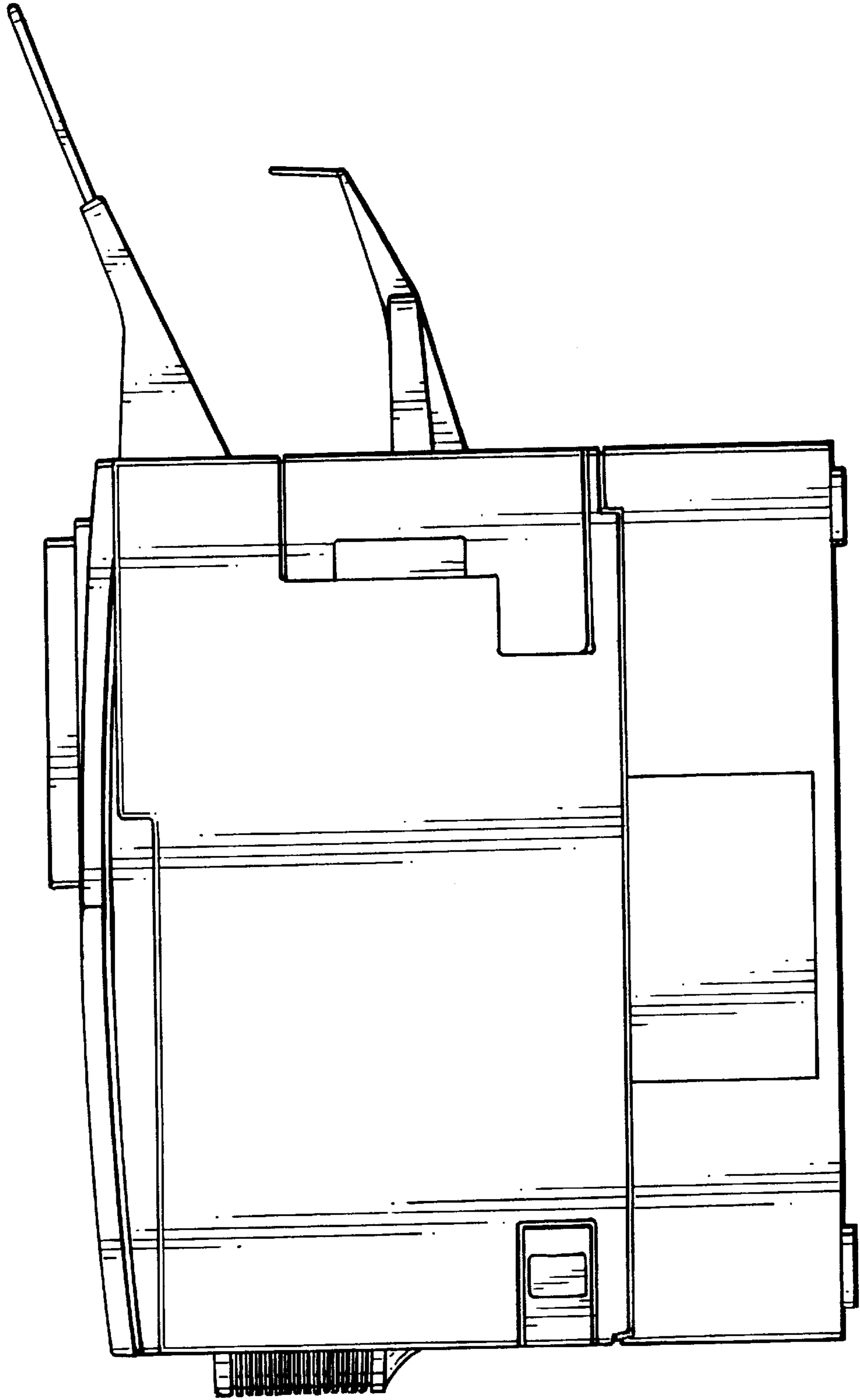


FIG. 6

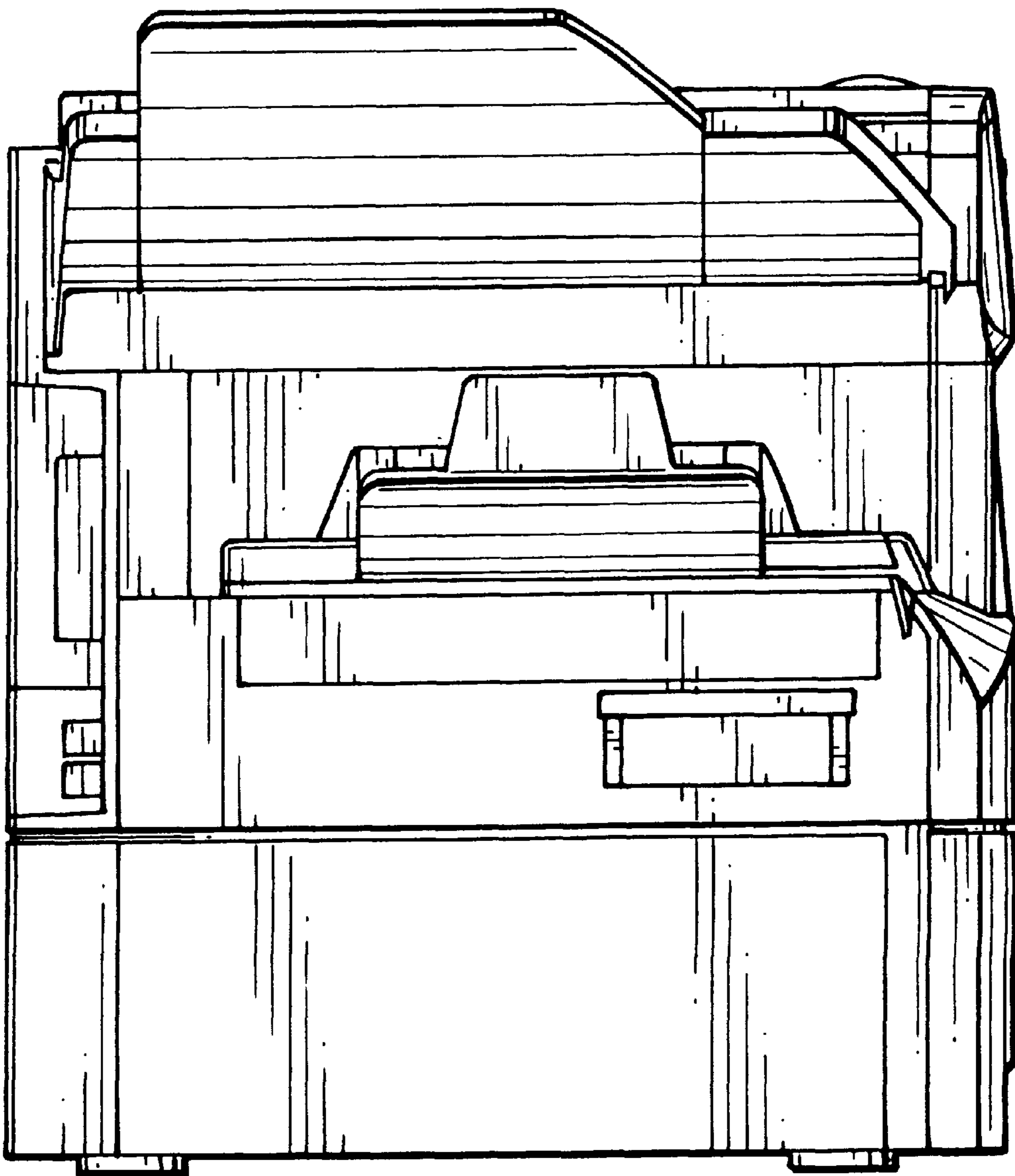


FIG. 7

