



US00D431239S

# United States Patent [19] Sasago

[11] **Patent Number: Des. 431,239**

[45] **Date of Patent: \*\* Sep. 26, 2000**

[54] **SPEAKER BOX**

[75] Inventor: **Osamu Sasago**, Tokyo, Japan

[73] Assignee: **Sony Corporation**, Japan

[\*\*] Term: **14 Years**

[21] Appl. No.: **29/105,892**

[22] Filed: **Jun. 2, 1999**

[30] **Foreign Application Priority Data**

Dec. 2, 1998 [JP] Japan ..... 10-34631

[51] **LOC (7) Cl.** ..... **14-01**

[52] **U.S. Cl.** ..... **D14/214; D14/114**

[58] **Field of Search** ..... D14/114, 204,  
D14/207, 209-216; 181/144-148, 150,  
153, 157, 198-199; 381/300-302, 307,  
359, 361, 363-364, 386

[56] **References Cited**

**U.S. PATENT DOCUMENTS**

- D. 359,492 6/1995 Dyas ..... D14/214
- D. 360,637 7/1995 Arie ..... D14/214
- D. 367,476 2/1996 Martin ..... D14/114

- D. 368,706 4/1996 Miki ..... D14/114
- 4,942,939 7/1990 Harrison ..... 181/144
- 5,400,408 3/1995 Lundgren et al. .... D14/214 X
- 5,729,430 3/1998 Johnson ..... D14/114 X

**OTHER PUBLICATIONS**

Catalog "Sony Broadcast '94-'95"; Sony; Oct. 1994; p. 61.

*Primary Examiner*—Nanda Bondade  
*Attorney, Agent, or Firm*—Rader, Fishman & Grauer

[57] **CLAIM**

The ornamental design for a speaker box, as shown and described.

**DESCRIPTION**

FIG. 1 is a perspective view of a speaker box showing my new design;  
FIG. 2 is a top plan view thereof;  
FIG. 3 is a bottom plan view thereof;  
FIG. 4 is a left side elevational view thereof;  
FIG. 5 is a right side elevational view thereof;  
FIG. 6 is a front elevational view thereof; and,  
FIG. 7 is a rear elevational view thereof.

**1 Claim, 4 Drawing Sheets**

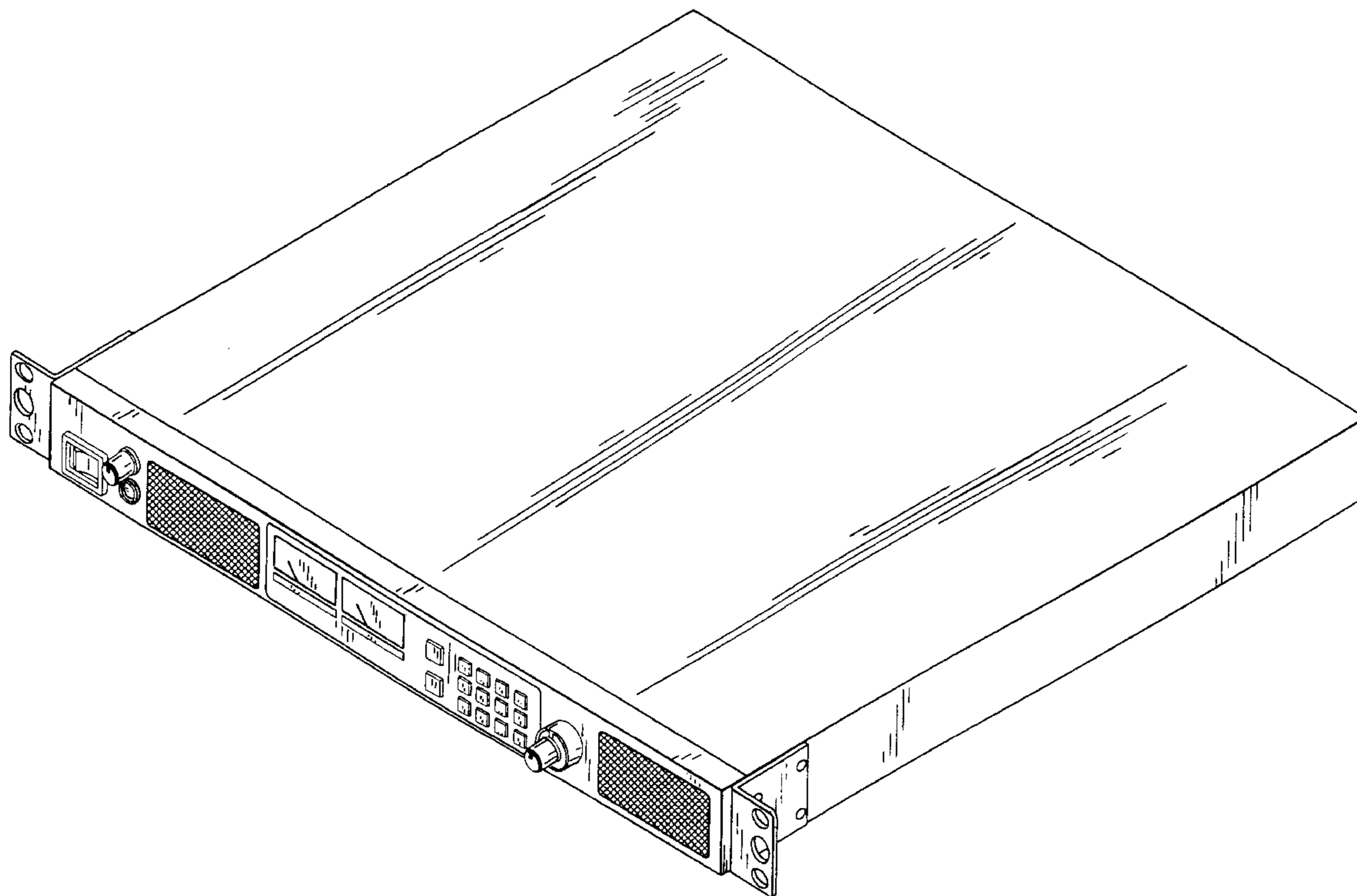


FIG. 1

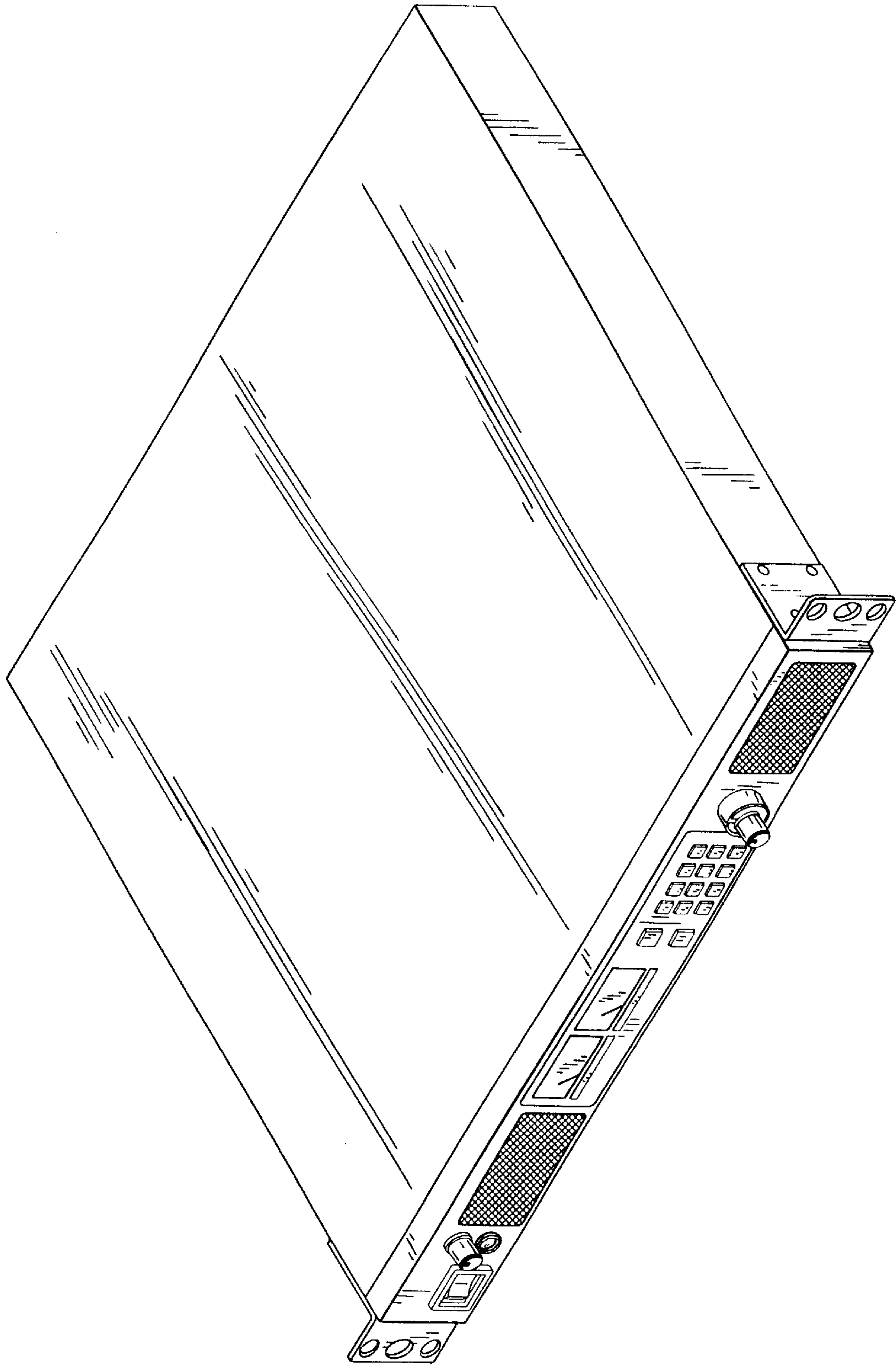


FIG. 3

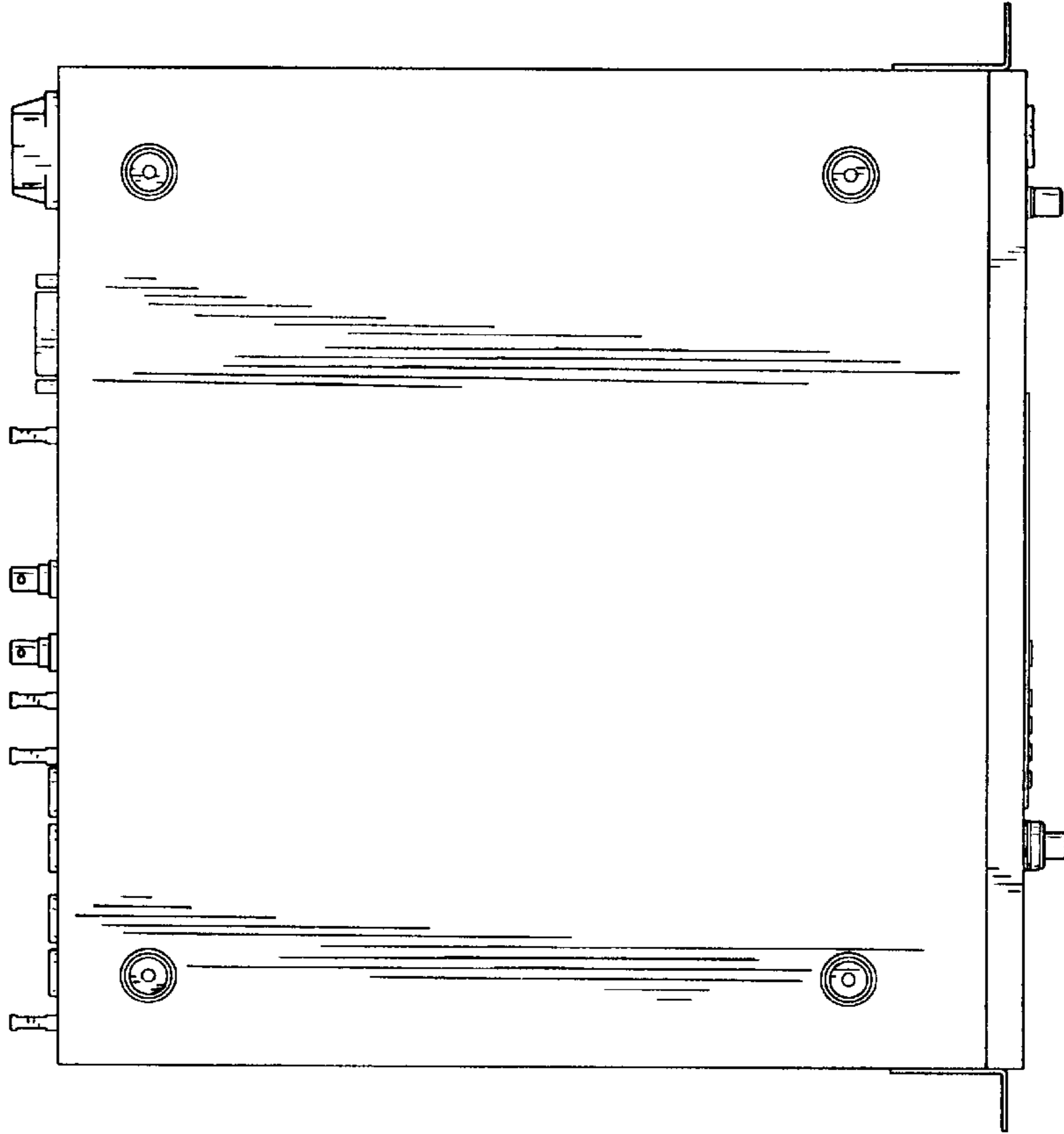


FIG. 2

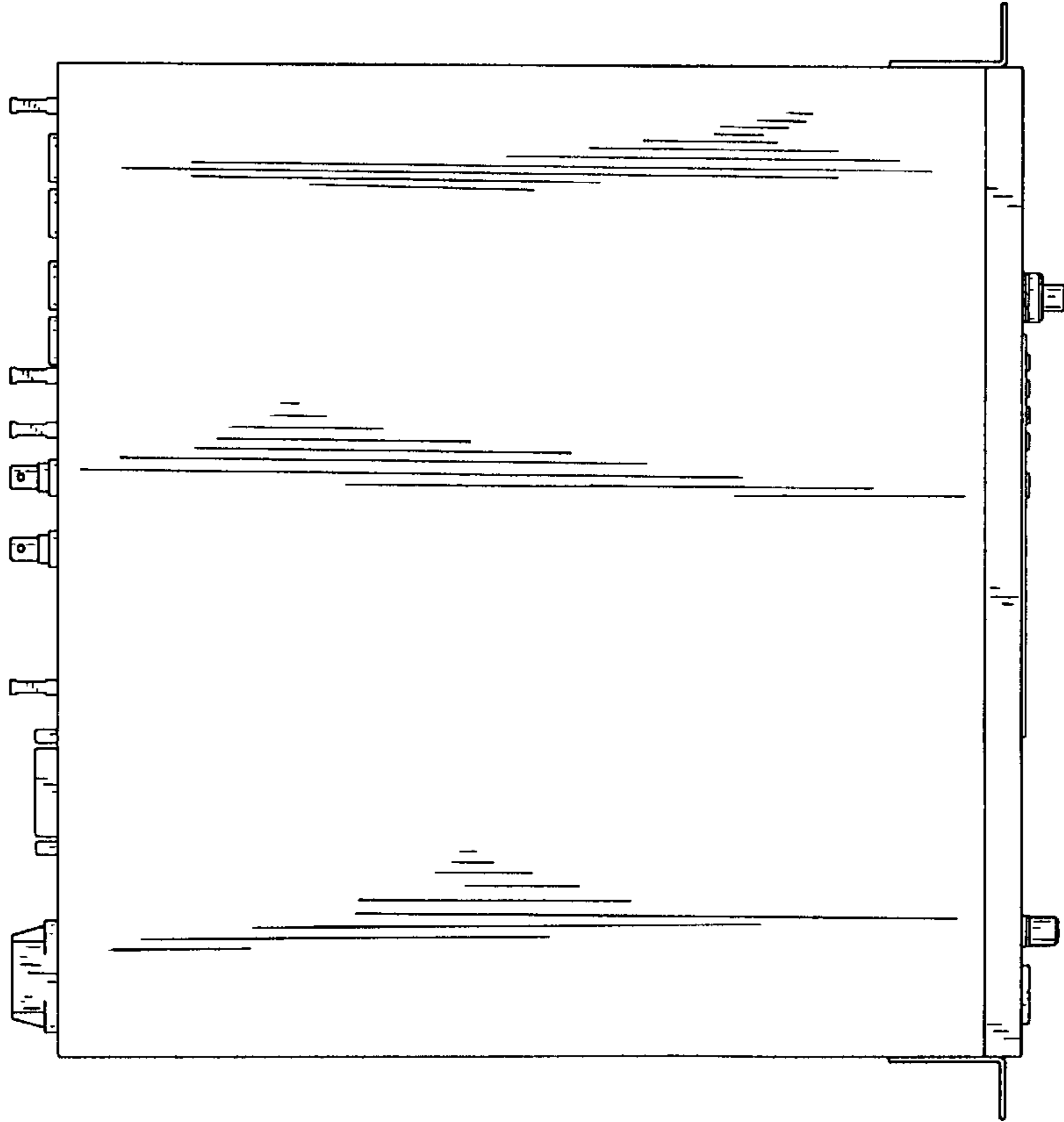


FIG. 4

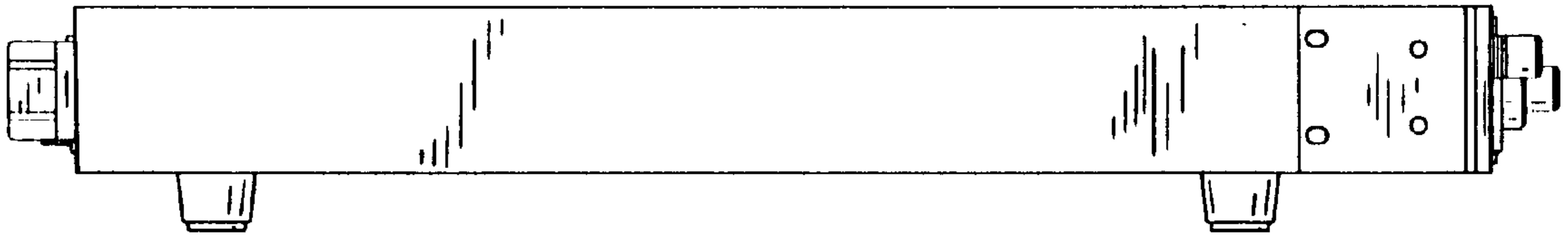


FIG. 5

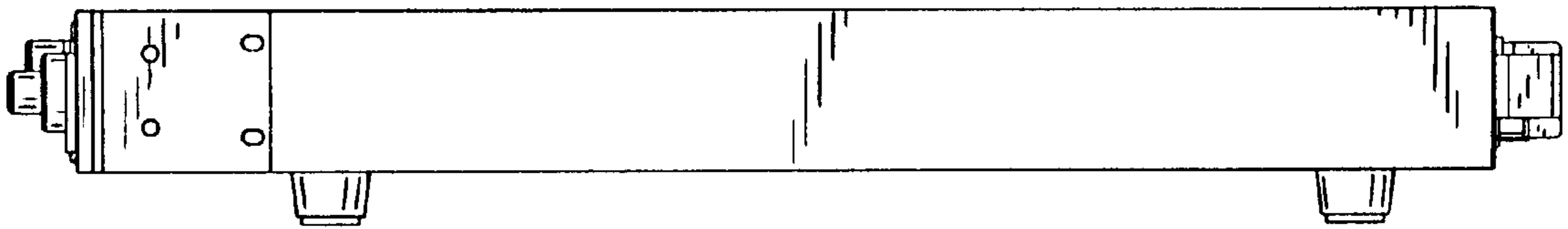


FIG. 6

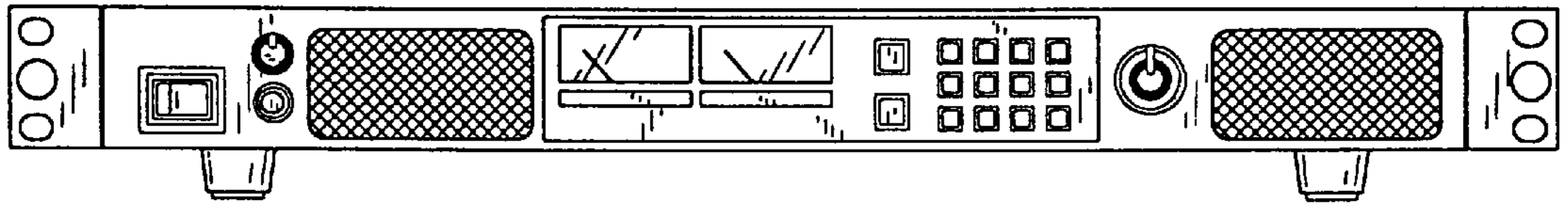


FIG. 7

