



US00D431231S

United States Patent [19] Goto

[11] **Patent Number: Des. 431,231**

[45] **Date of Patent: ** Sep. 26, 2000**

[54] **DATA RECORDER AND READER**

[75] Inventor: **Teiyu Goto**, Tokyo, Japan

[73] Assignee: **Sony Corporation**, Tokyo, Japan

[**] Term: **14 Years**

[21] Appl. No.: **29/097,042**

[22] Filed: **Nov. 25, 1998**

D. 311,391	10/1990	Ueshin et al.	D14/114
D. 349,890	8/1994	Kabumoto	D14/109
D. 350,337	9/1994	Riley et al.	D14/102
D. 366,030	1/1996	Tinsley, Jr. et al.	D14/102
D. 369,787	5/1996	Muenkel	D14/102
D. 390,202	2/1998	Goto	D14/100
D. 401,573	11/1998	Goto	D14/107
5,360,969	11/1994	Suzuki	235/479

Primary Examiner—Freda Nunn
Attorney, Agent, or Firm—Rader, Fishman & Grauer

Related U.S. Application Data

[62] Division of application No. 29/063,589, Dec. 13, 1996, Pat. No. Des. 401,573.

Foreign Application Priority Data

Jun. 14, 1996	[JP]	Japan	8-17765
Jun. 14, 1996	[JP]	Japan	8-17766
Jun. 14, 1996	[JP]	Japan	8-17767

[51] **LOC (7) Cl.** **14-02**

[52] **U.S. Cl.** **D14/107**

[58] **Field of Search** D14/100, 102,
D14/107-109; D13/162, 184, 199; 360/99.12;
361/683, 694, 696; 359/152; 396/211; 439/607,
946; 235/479

References Cited

U.S. PATENT DOCUMENTS

D. 304,448 11/1989 De La Cruz et al. D14/114

[57] CLAIM

The ornamental design for a data recorder and reader, as shown and described.

DESCRIPTION

FIG. 1 is a perspective view of a data recorder and reader showing my new design;
FIG. 2 is a perspective view thereof, wherein the lid portion is in the open position;
FIG. 3 is a top plan view thereof;
FIG. 4 is a left side elevational view thereof;
FIG. 5 is a front elevational view thereof;
FIG. 6 is a bottom plan view thereof;
FIG. 7 is a right side elevational view thereof; and,
FIG. 8 is a rear elevational view thereof.

1 Claim, 5 Drawing Sheets

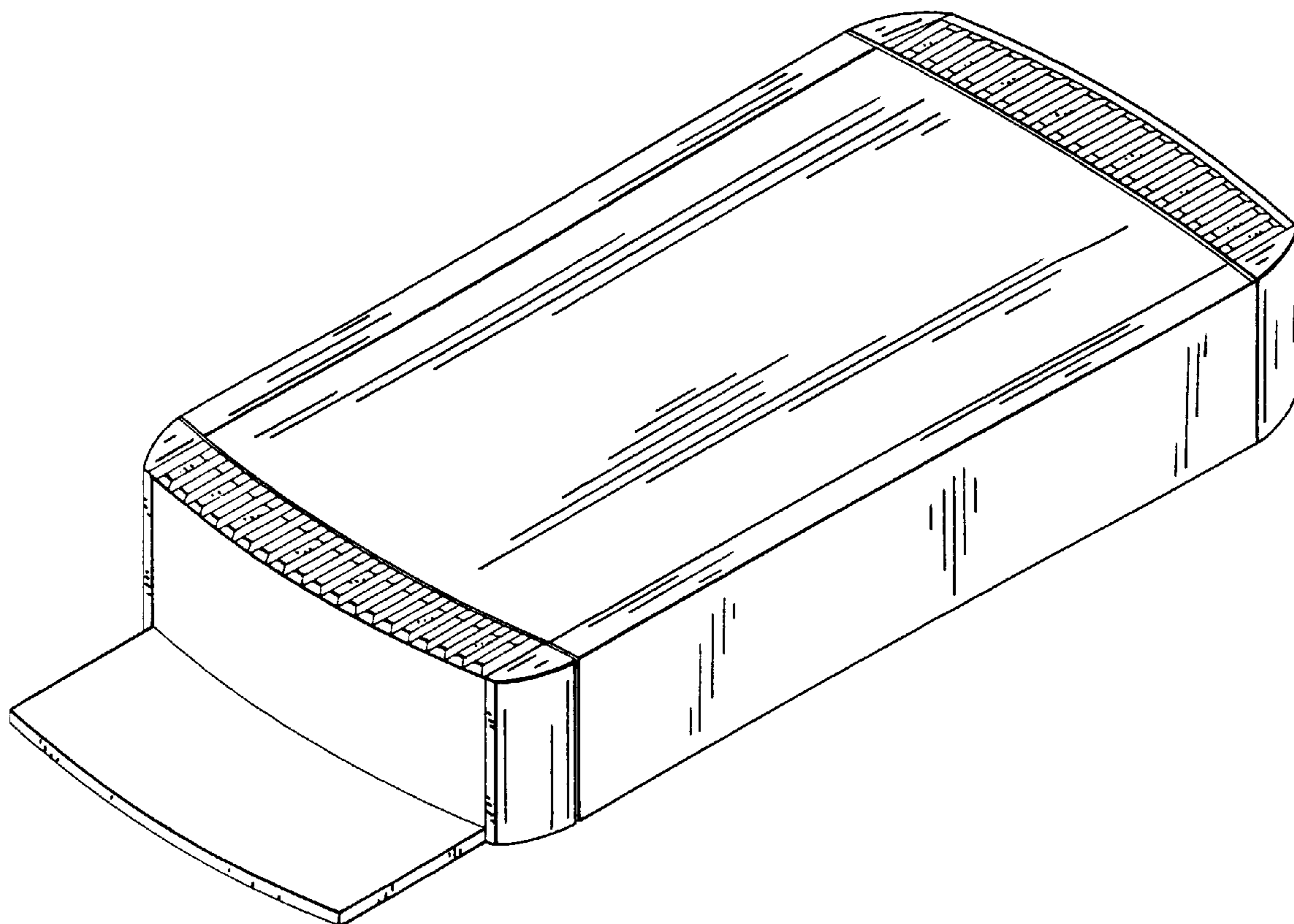


FIG. 1

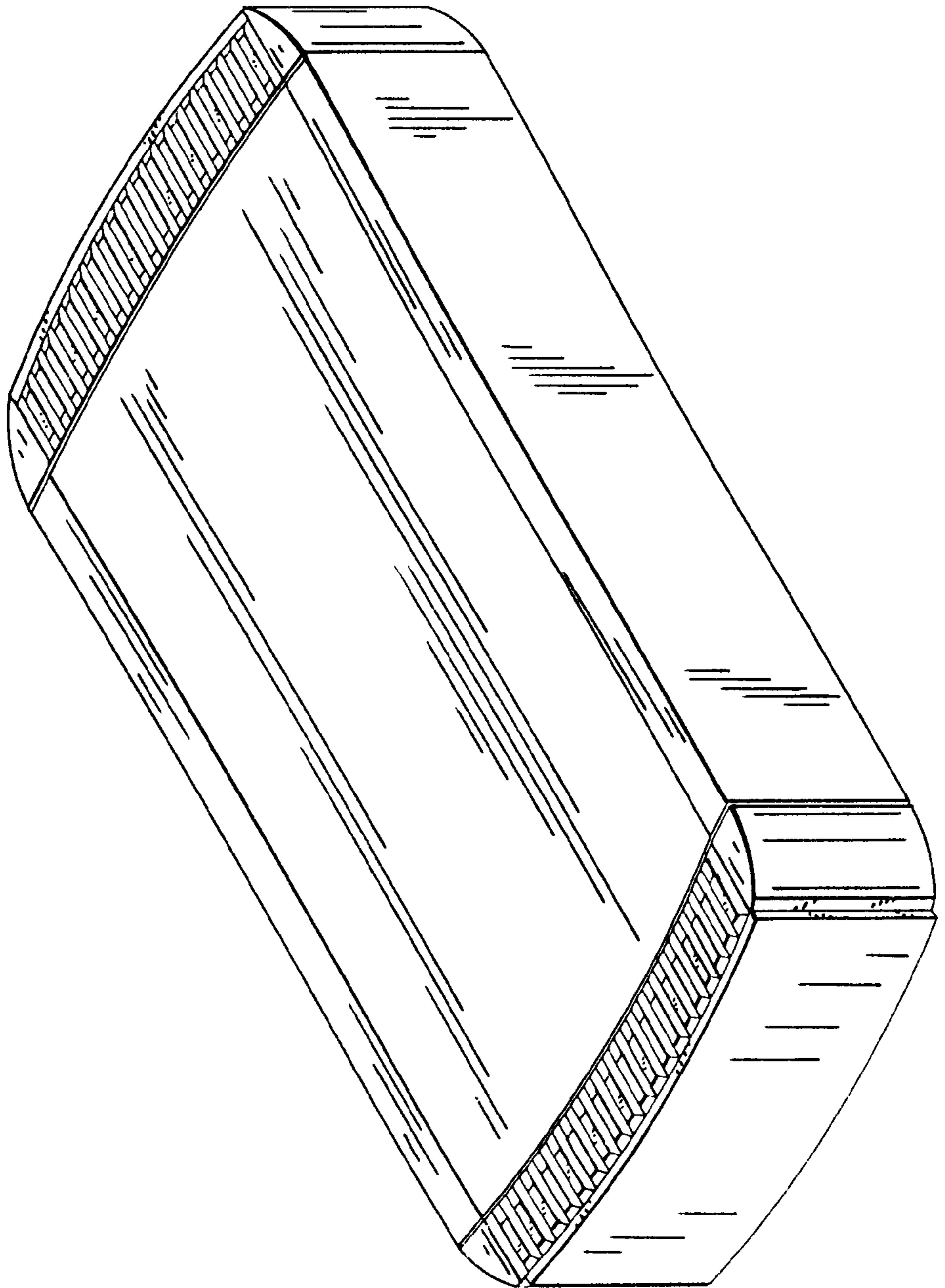


FIG. 2

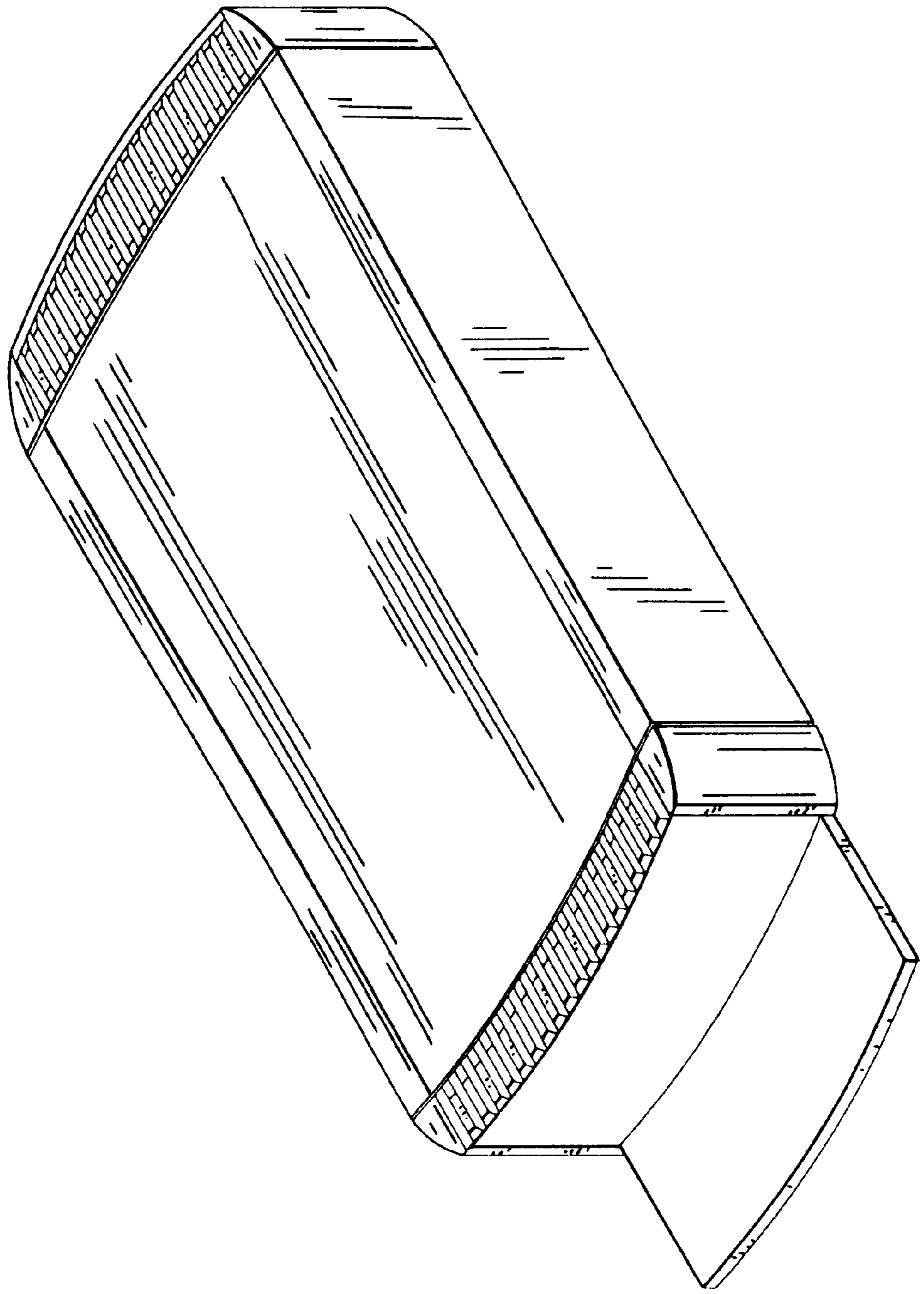


FIG. 6

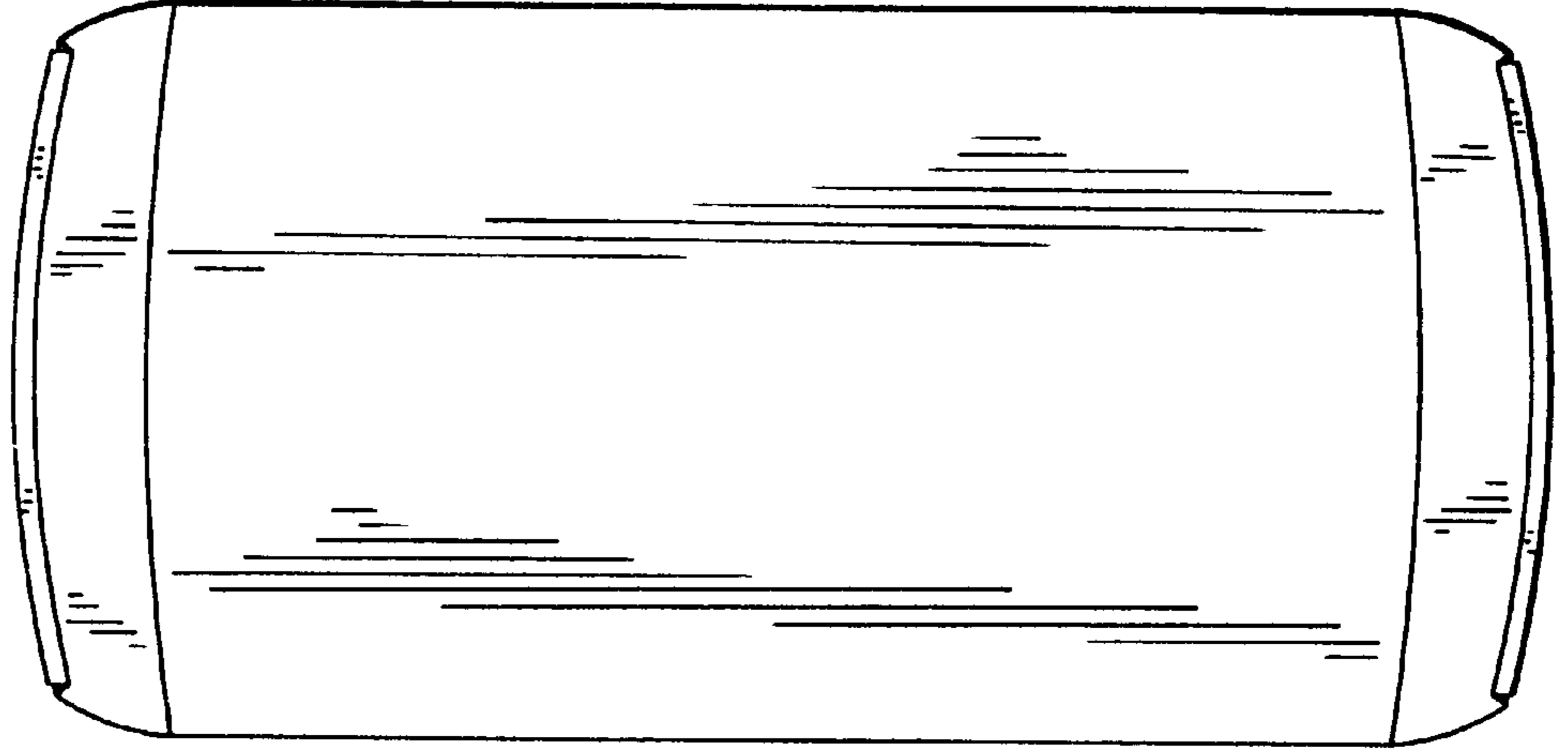


FIG. 3

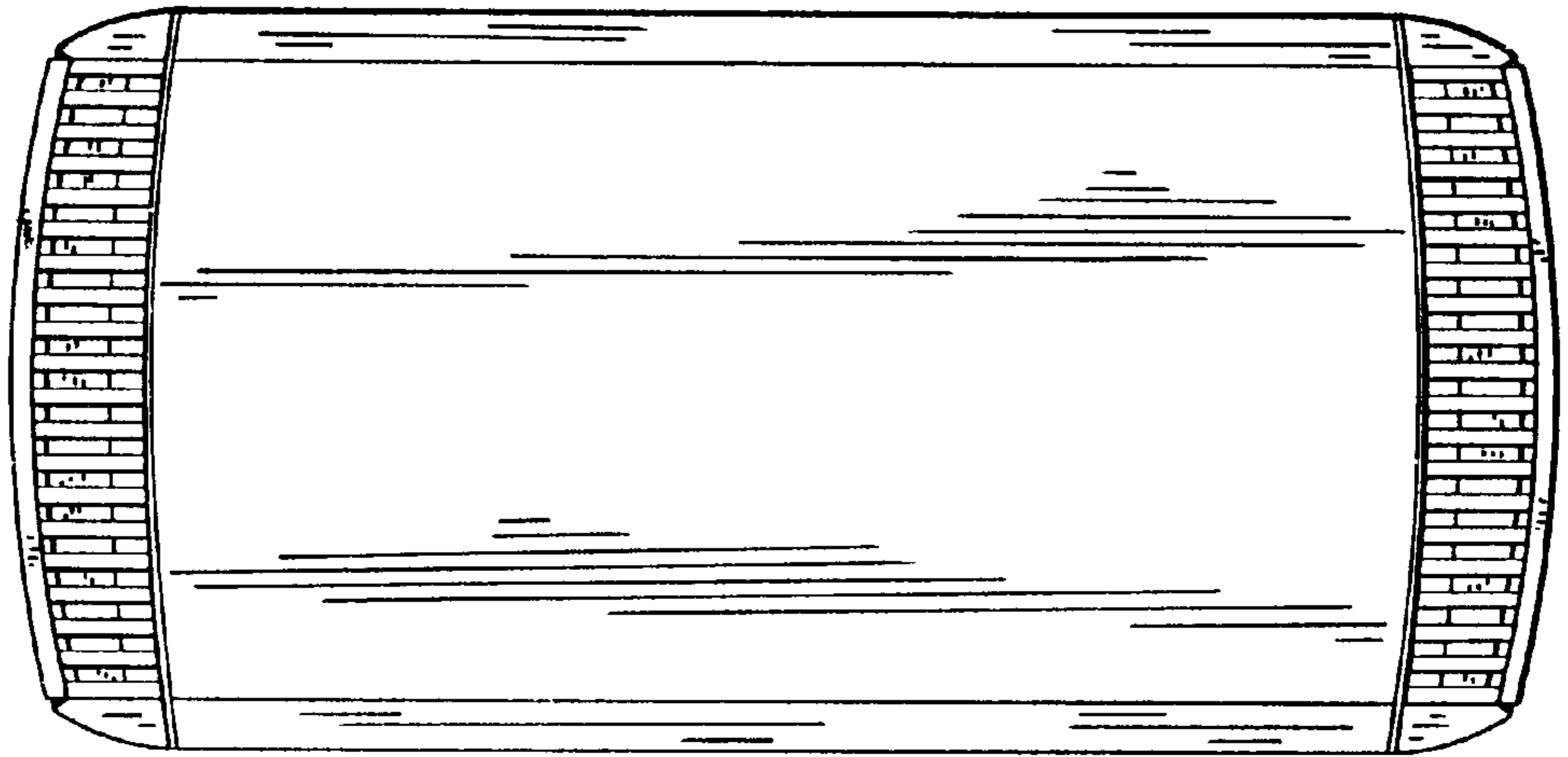


FIG. 7

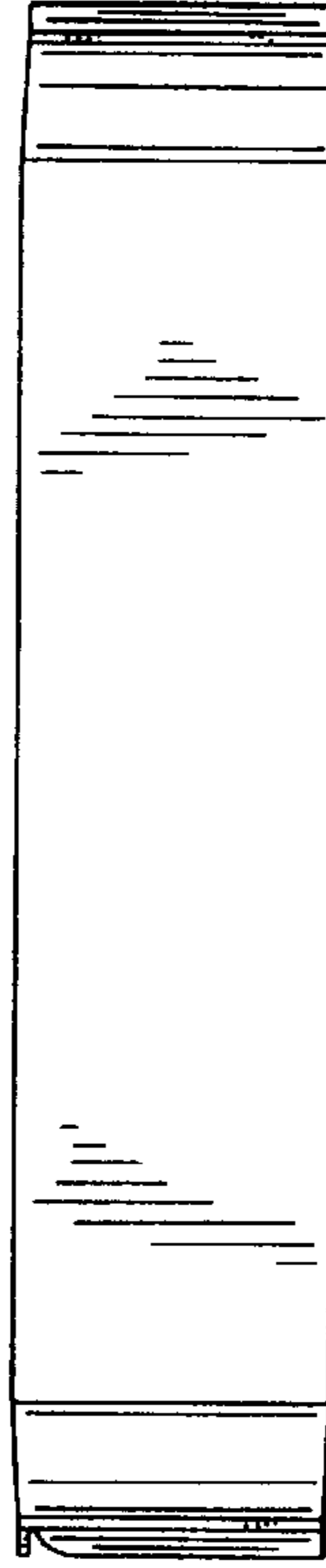


FIG. 4



FIG. 8

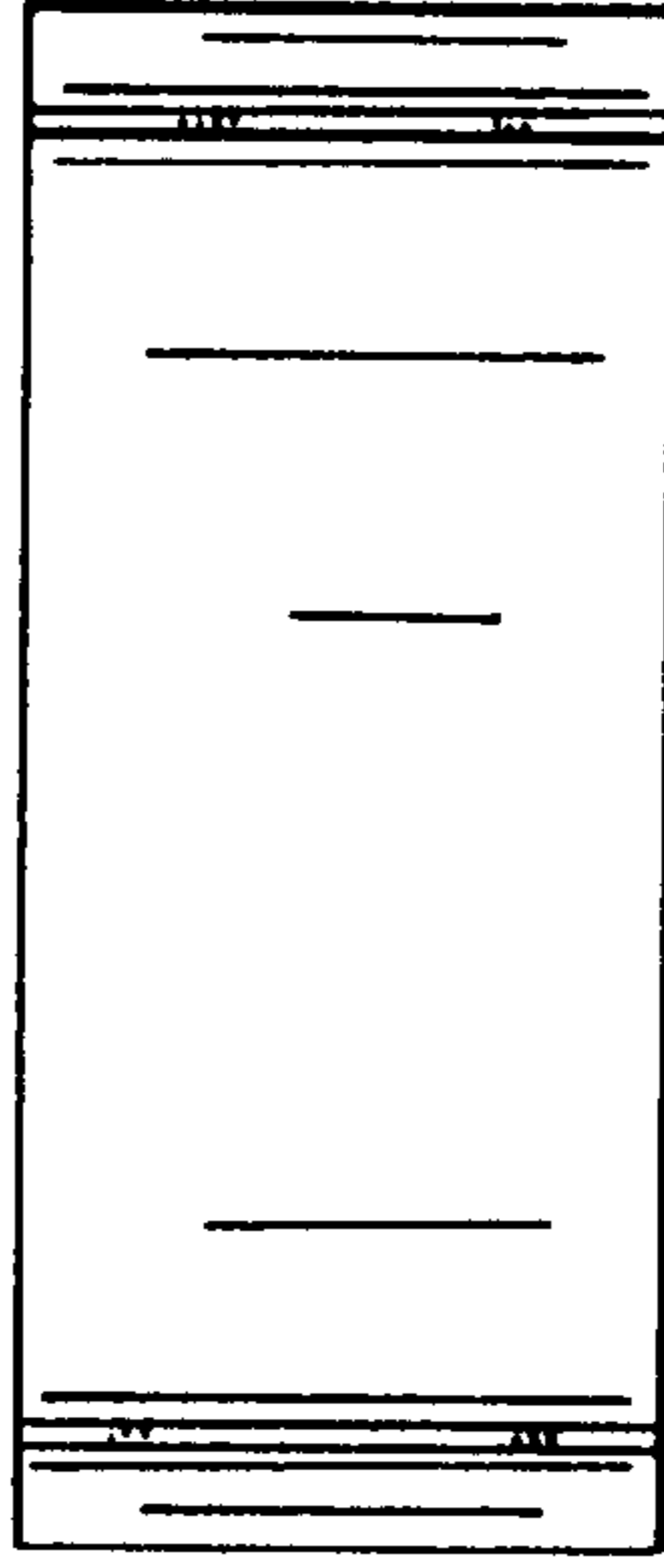


FIG. 5

