



US00D431230S

United States Patent [19] Began

[11] **Patent Number: Des. 431,230**

[45] **Date of Patent: ** Sep. 26, 2000**

[54] **ELECTRONIC EQUIPMENT CONTAINER**

[75] Inventor: **Steven M. Began**, Avon Lake, Ohio

[73] Assignee: **ECP Corporation**, Avon, Ohio

[**] Term: **14 Years**

[21] Appl. No.: **29/100,215**

[22] Filed: **Feb. 4, 1999**

[51] **LOC (7) Cl. 13-03**

[52] **U.S. Cl. D13/184**

[58] **Field of Search** D13/184, 162;
D14/100; 361/686, 724, 728; 379/441,
442, 419, 420, 428

[56] **References Cited**

U.S. PATENT DOCUMENTS

- D. 97,302 10/1935 Parness et al. .
- D. 107,151 11/1937 Helleu .
- D. 254,002 1/1980 Schafer D13/184
- D. 298,412 11/1988 Ciuba .
- D. 365,529 12/1995 Peroni D13/184 X
- D. 368,429 4/1996 Serio, Jr. .
- D. 380,475 7/1997 Rasmussen D13/184 X
- D. 413,578 9/1999 Larson et al. D13/184 X
- 3,084,843 4/1963 Urban .

4,343,428 8/1982 Persson .
5,031,791 7/1991 Serio, Jr. .

OTHER PUBLICATIONS

Packaging Catalog, 1959©.

Primary Examiner—Brian N. Vinson
Attorney, Agent, or Firm—Calfee Halter & Griswold LLP

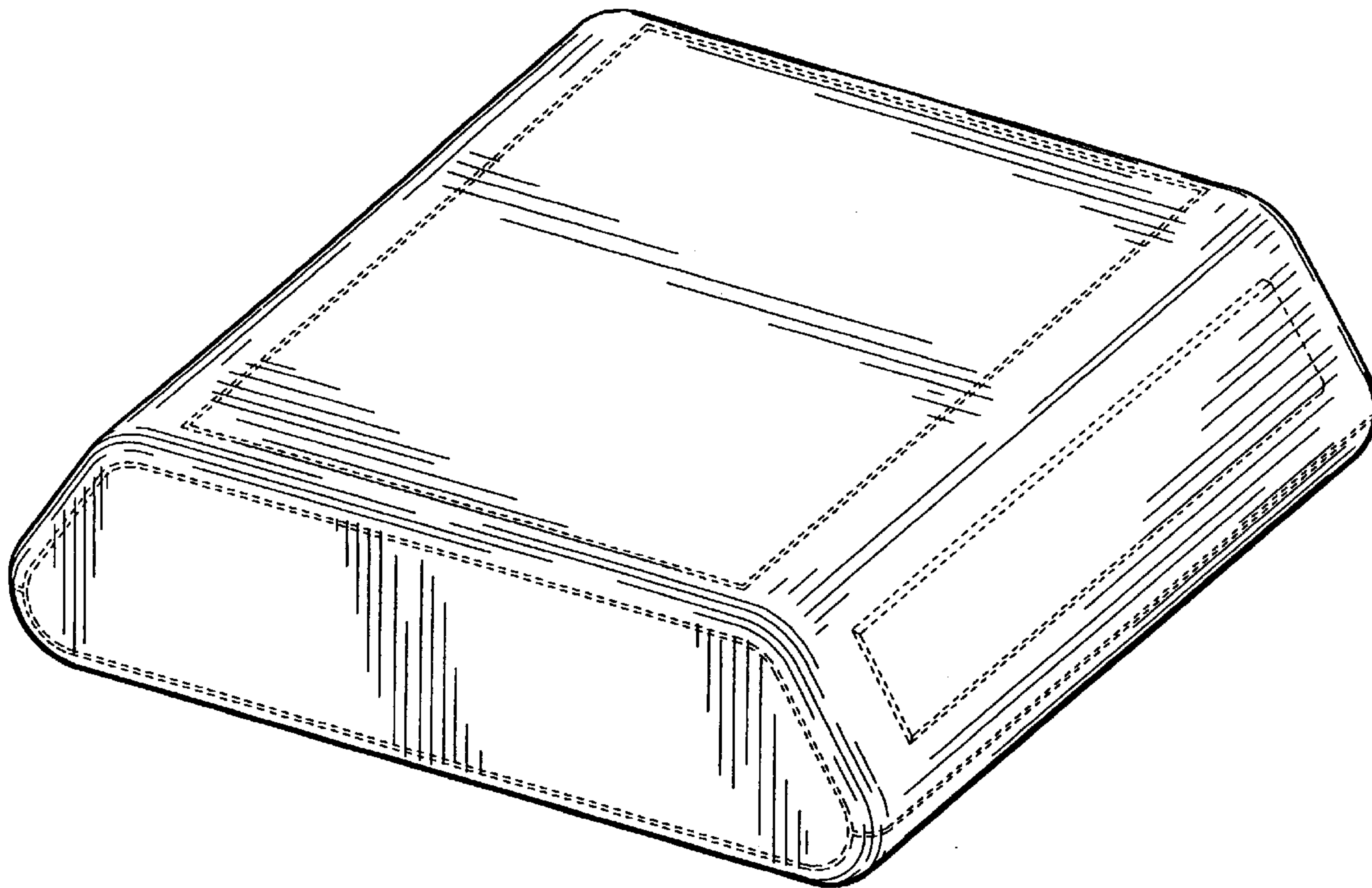
[57] **CLAIM**

The ornamental design for the electronic equipment container, as shown.

DESCRIPTION

FIG. 1 is a top, front and left hand perspective view of an electronic equipment container, embodying the features of my invention;
 FIG. 2 is a left side elevational view thereof, the right side being a mirror image;
 FIG. 3 is a front elevational view thereof, the rear being a mirror image;
 FIG. 4 is a top plan view thereof; and,
 FIG. 5 is a bottom plan view thereof.
 The broken-line disclosure of various elements in the views is for illustrative purposes only and forms no part of the claimed design.

1 Claim, 2 Drawing Sheets



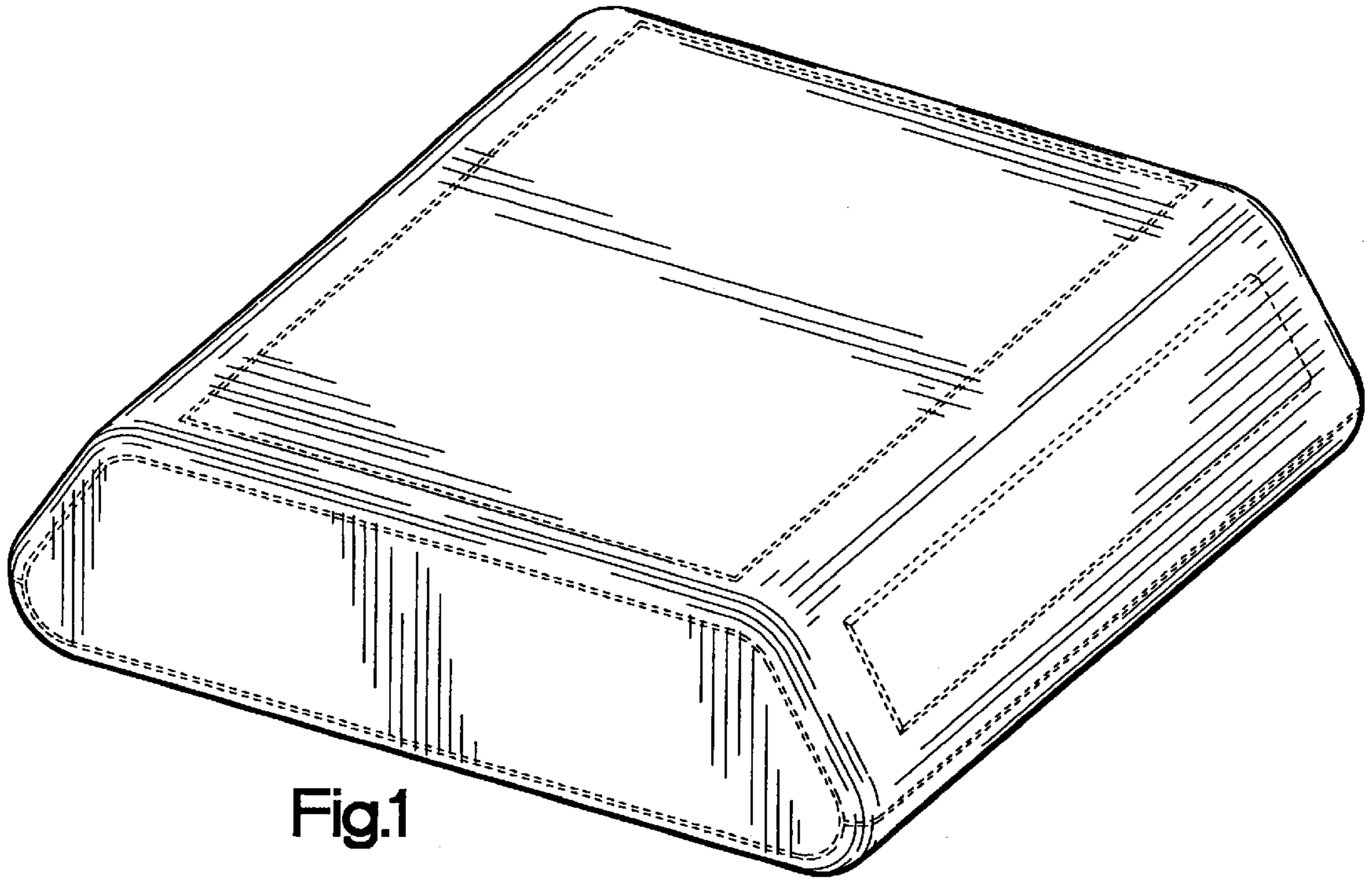


Fig.1



Fig.2

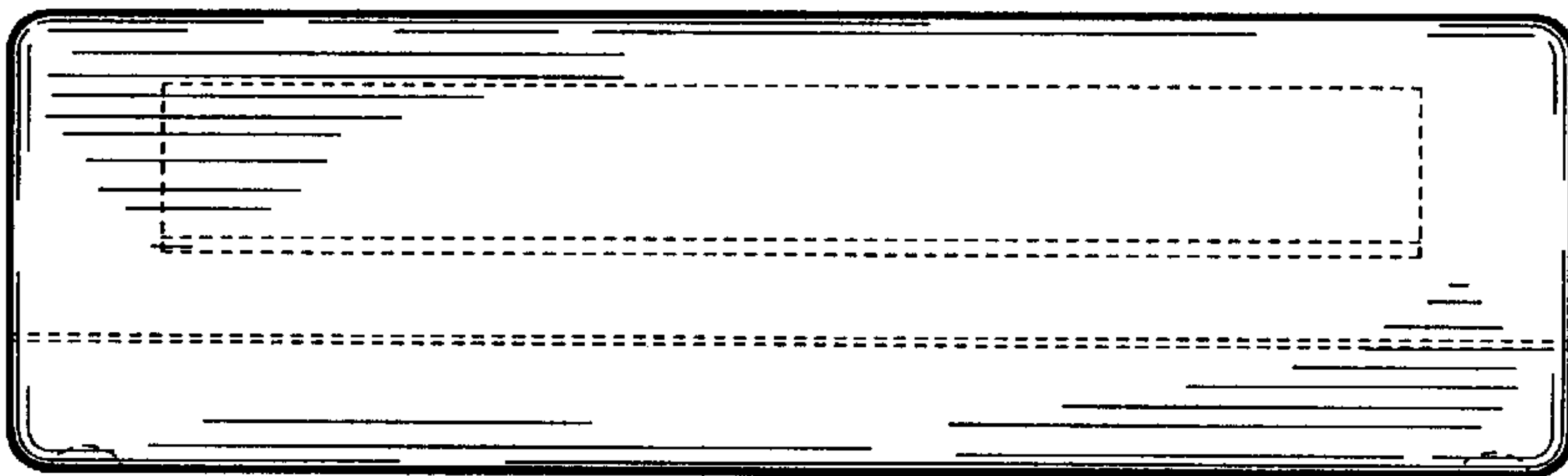


Fig.3

Fig.4

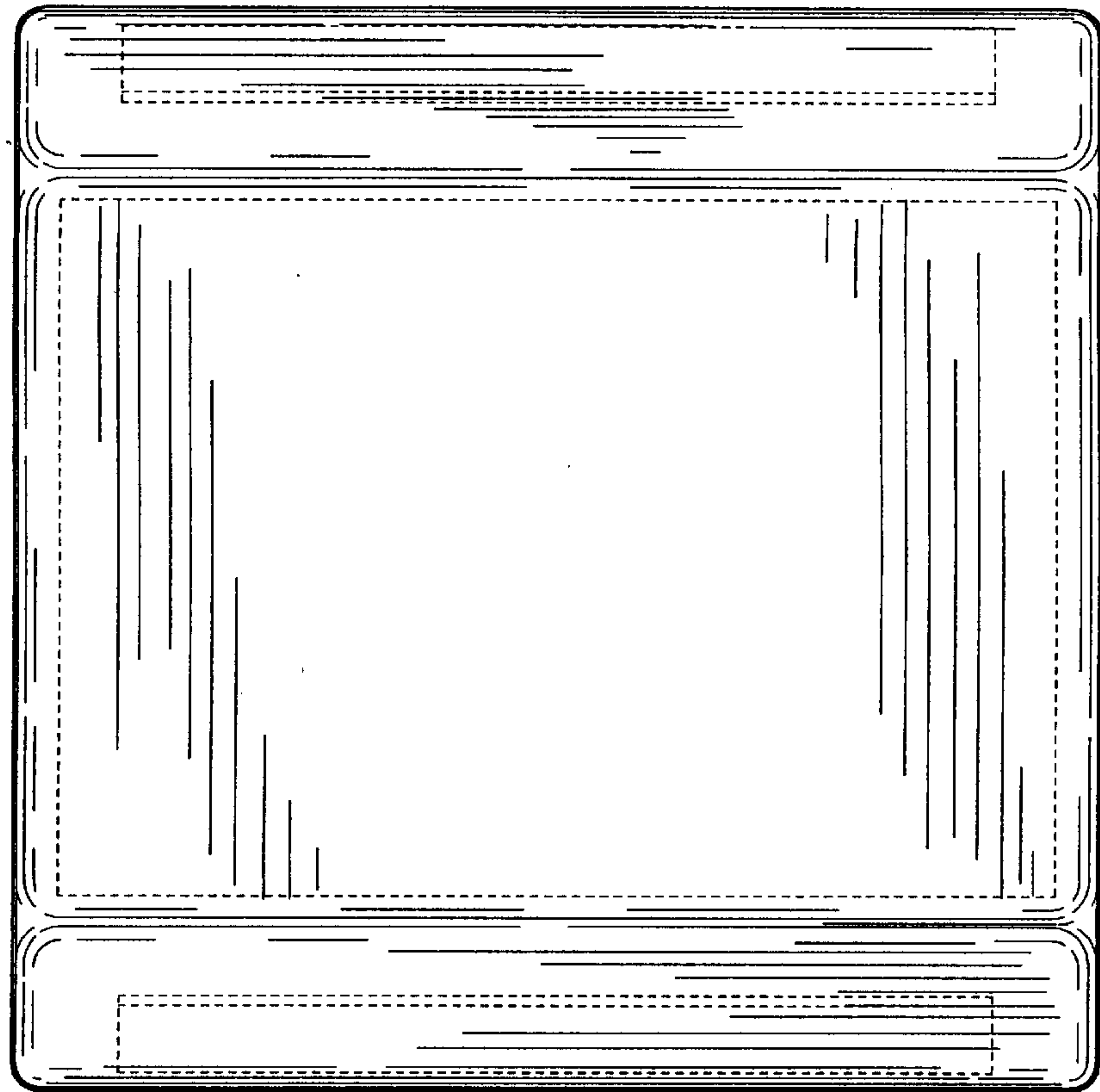


Fig.5

