



US00D431224S

# United States Patent [19] Schroeder

[11] Patent Number: **Des. 431,224**

[45] Date of Patent: **\*\* Sep. 26, 2000**

[54] **BOTTOM SECTION OF A TRUCK BED CAP**

[75] Inventor: **Hartmut W. Schroeder**, Rosmoor, Calif.

[73] Assignee: **Custom Fibreglass Manufacturing Company**, Long Beach, Calif.

[\*\*] Term: **14 Years**

[21] Appl. No.: **29/077,268**

[22] Filed: **Oct. 1, 1997**

[51] **LOC (7) Cl.** ..... **12-16**

[52] **U.S. Cl.** ..... **D12/404**

[58] **Field of Search** ..... D12/400, 401, D12/404-405, 89; 296/185-186, 99.1, 103, 210, 10, 102-108, 220.01, 25-27

D. 328,049	7/1992	Sturtevant	.....	D12/404
D. 328,062	7/1992	Burgess	.....	D12/404
D. 329,837	9/1992	Rogers	.....	D12/404
D. 379,173	5/1997	Quiniones	.....	D12/404
D. 383,432	9/1997	Starr et al.	.....	D12/404
D. 387,029	12/1997	Heinemann	.....	D12/404
D. 388,049	12/1997	Reardon	.....	D12/404
D. 403,652	1/1999	Starr et al.	.....	D12/404

*Primary Examiner*—Stacia Cadmus  
*Attorney, Agent, or Firm*—Fulwider Patton Lee & Utecht, LLP

### [57] CLAIM

The ornamental design for a bottom section of a truck bed cap, as shown and described.

### DESCRIPTION

FIG. 1 is a perspective view of the bottom section of a truck bed cap showing my new design; FIG. 2 is a side plan view thereof; FIG. 3 is a front plan view thereof; FIG. 4 is a back plan view thereof; FIG. 5 is a top plan view thereof; FIG. 6 is a bottom plan view thereof; and, FIG. 7 is an enlarged cross-sectional view taken along line 7—7 of FIG. 1.

The broken line showing environment is for illustrative purposes only and forms no part of the claimed design.

**1 Claim, 4 Drawing Sheets**

### [56] References Cited

#### U.S. PATENT DOCUMENTS

D. 244,182	5/1977	Skidmore	.....	D12/404
D. 254,905	5/1980	Collins	.....	D12/404
D. 271,757	12/1983	Miller	.....	D12/404
D. 281,488	11/1985	Collins	.....	D12/404
D. 298,818	12/1988	Silliker	.....	D12/404
D. 317,889	7/1991	Gentzhorn	.....	D12/404
D. 324,015	2/1992	Quiniones	.....	D12/404
D. 325,366	4/1992	Mansberger	.....	D12/404
D. 325,551	4/1992	Quiniones	.....	D12/404
D. 326,441	5/1992	Rogers	.....	D12/404

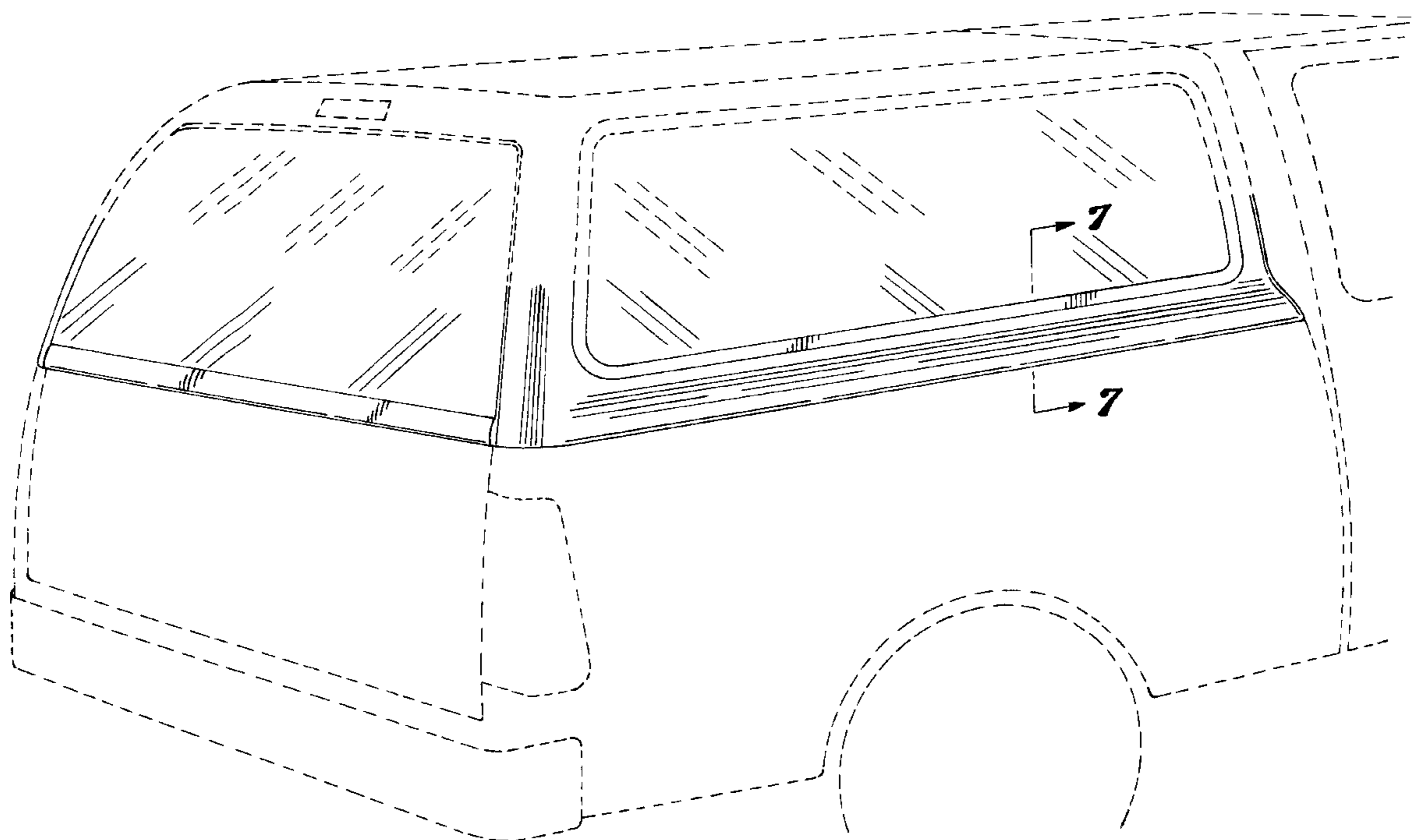


FIG. 1

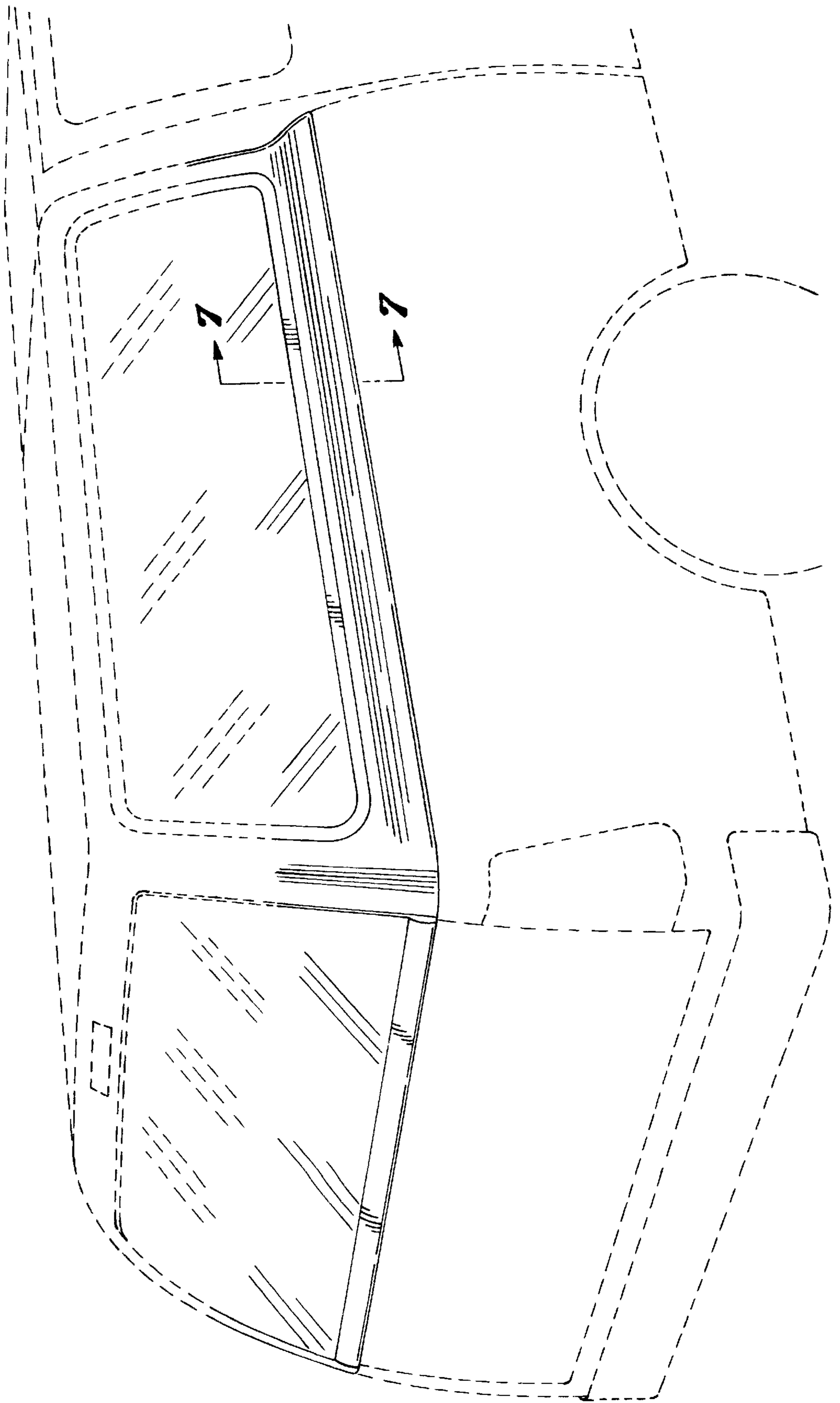


FIG. 2

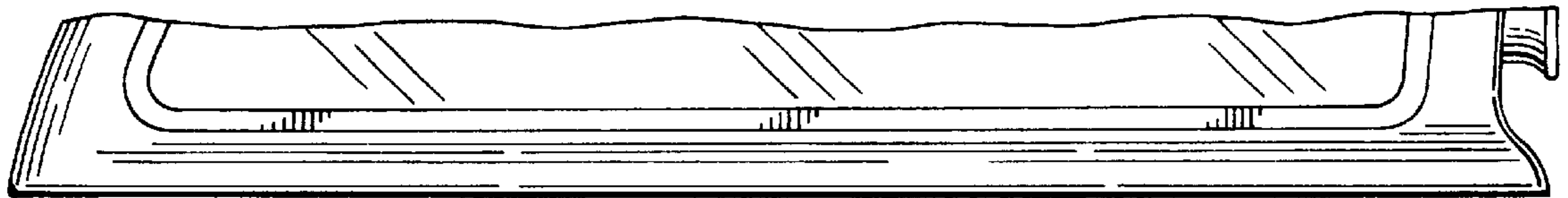


FIG. 3

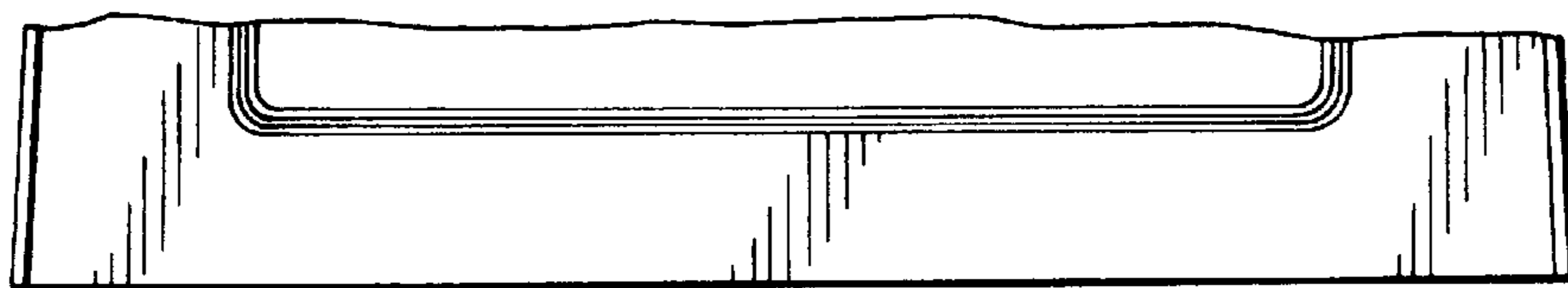


FIG. 4

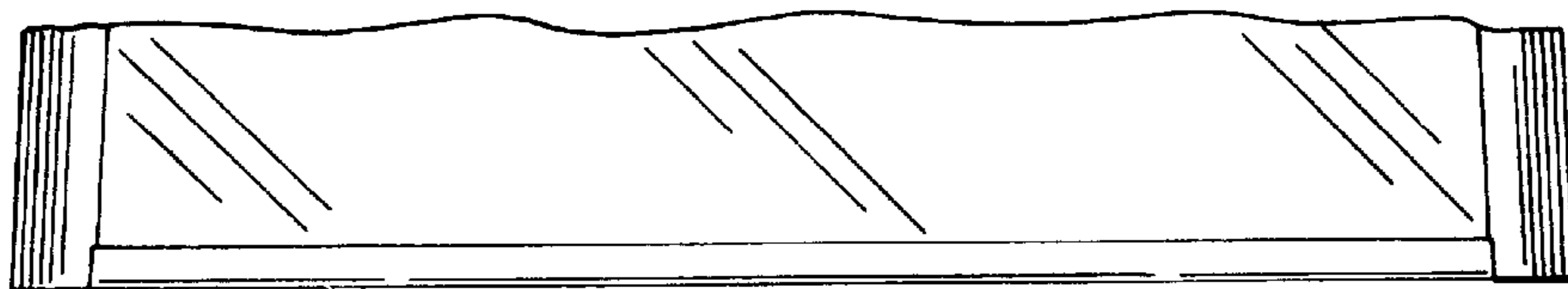


FIG. 5

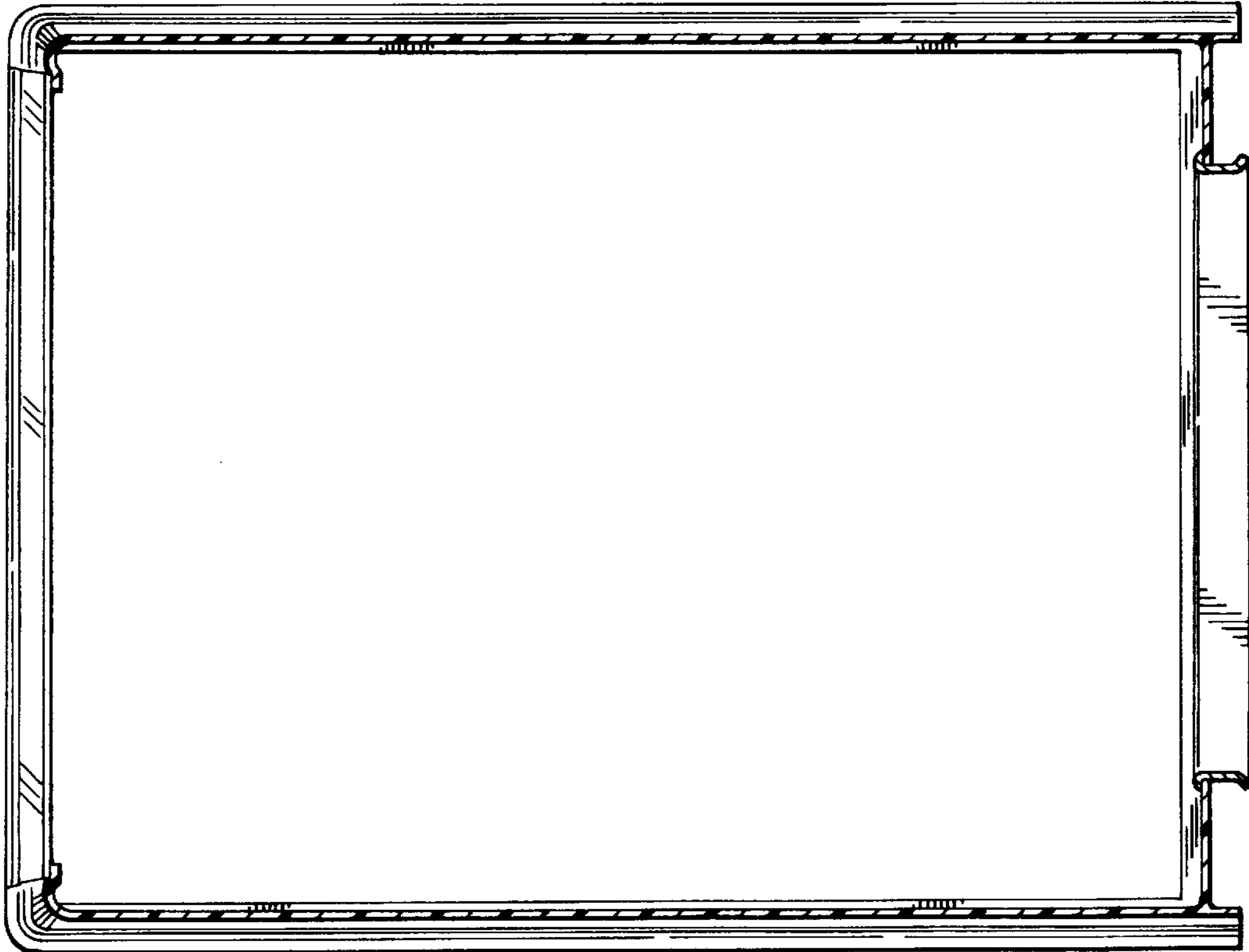
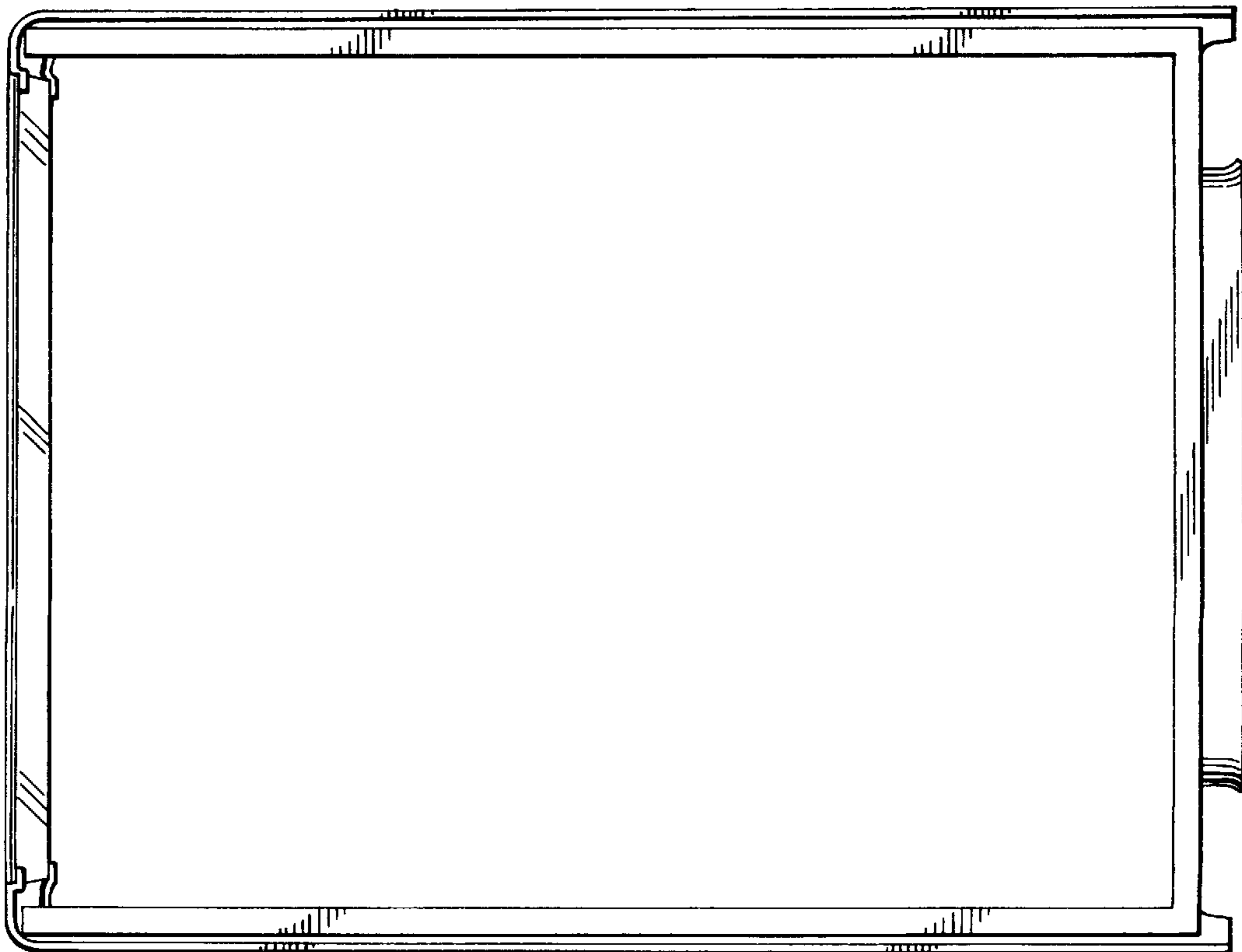


FIG. 6



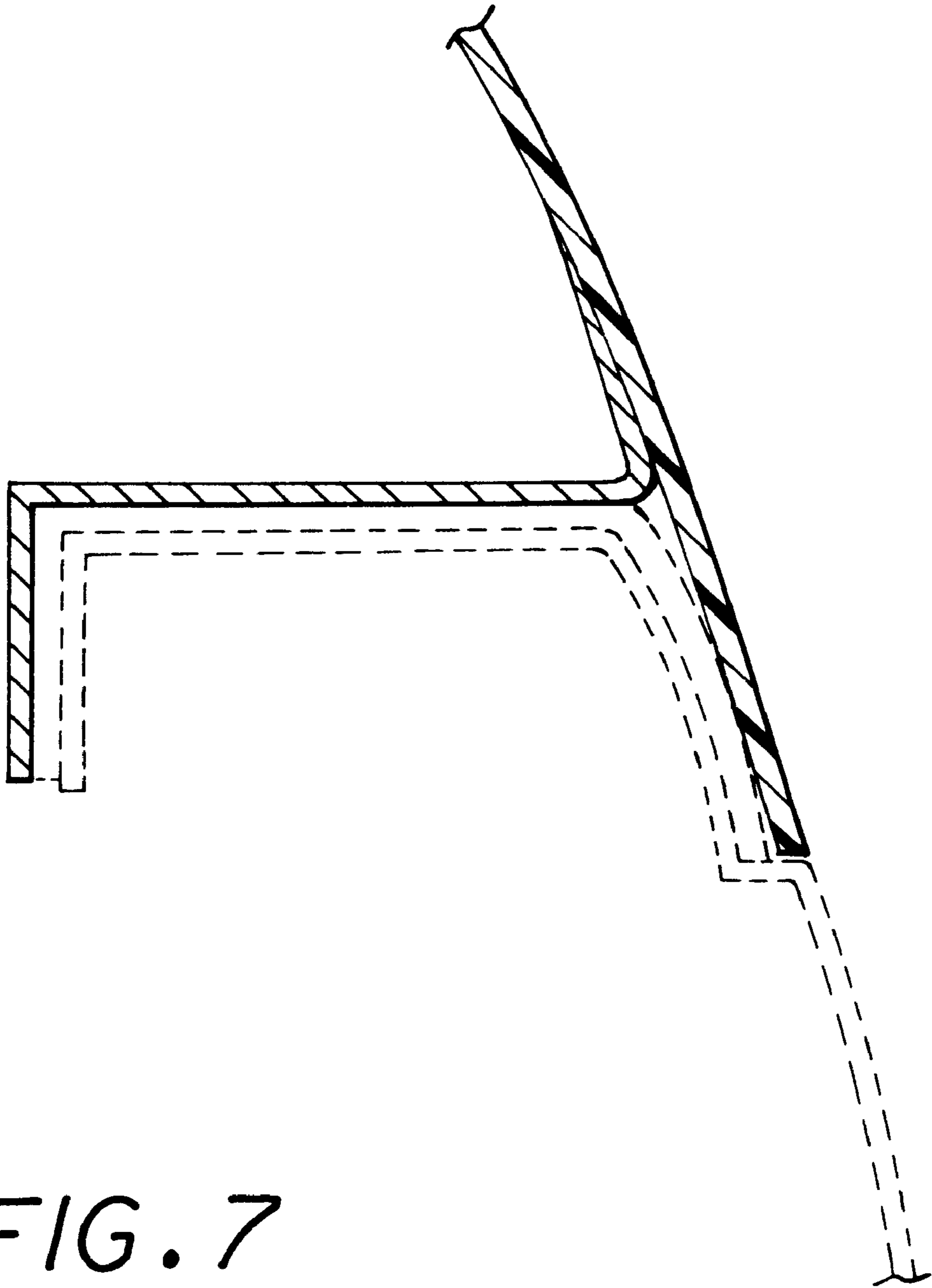


FIG. 7