



US00D431222S

United States Patent [19] Vian

[11] Patent Number: **Des. 431,222**

[45] Date of Patent: **** Sep. 26, 2000**

[54] **VEHICLE WHEEL**

[75] Inventor: **Paolo Vian**, Verona, Italy

[73] Assignee: **Breed Automotive Technology, Inc.**,
Lakeland, Fla.

[**] Term: **14 Years**

[21] Appl. No.: **29/123,733**

[22] Filed: **May 24, 2000**

Related U.S. Application Data

[62] Division of application No. 29/115,426, Dec. 14, 1999.

Foreign Application Priority Data

Jun. 22, 1999 [IT] Italy MI9900373

[51] **LOC (7) Cl.** **12-16**

[52] **U.S. Cl.** **D12/209**

[58] **Field of Search** D12/204-211;
301/37.1, 64.1, 65

References Cited

U.S. PATENT DOCUMENTS

D. 84,318 6/1931 Beutke et al. D12/211

D. 84,320	6/1931	Beutke et al.	D12/211
D. 409,548	5/1999	Chung	D12/209
D. 410,886	6/1999	Nishida	D12/211
D. 415,094	10/1999	Neeper	D12/211
D. 419,945	2/2000	Hartanto	D12/211
D. 419,947	2/2000	Chung	D12/211
D. 425,850	5/2000	Chung	D12/211

Primary Examiner—Stacia Cadmus
Attorney, Agent, or Firm—Lonnie R. Drayer; Beth A. Vrioni

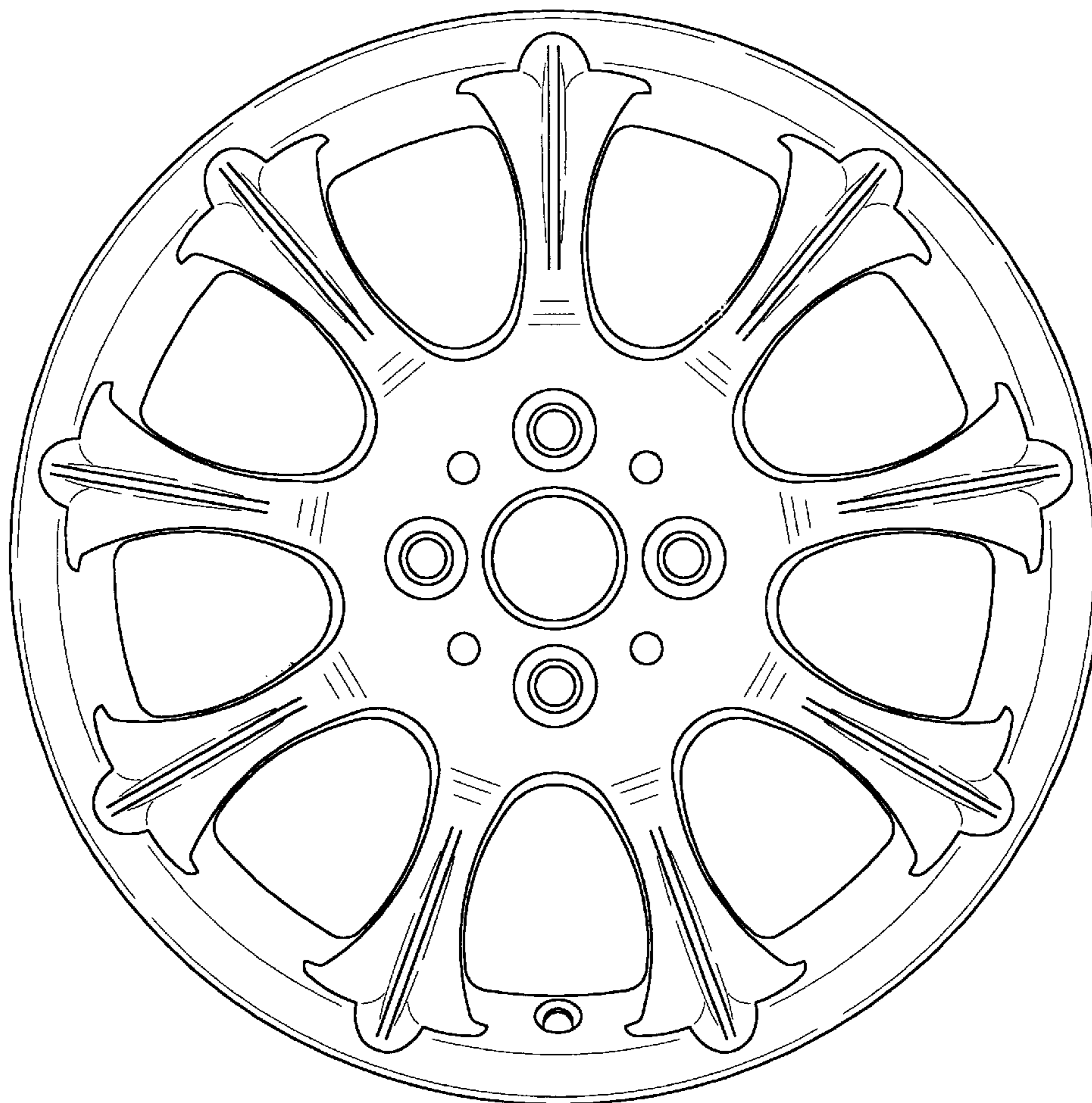
[57] CLAIM

The ornamental design for a vehicle wheel, as shown and described.

DESCRIPTION

FIG. 1 is a front view of a vehicle wheel, showing my new design;
FIG. 2 is a side elevation view thereof;
FIG. 3 is a rear view thereof; and,
FIG. 4 is a cross sectional view taken along line 4—4 of FIG. 3.

1 Claim, 2 Drawing Sheets



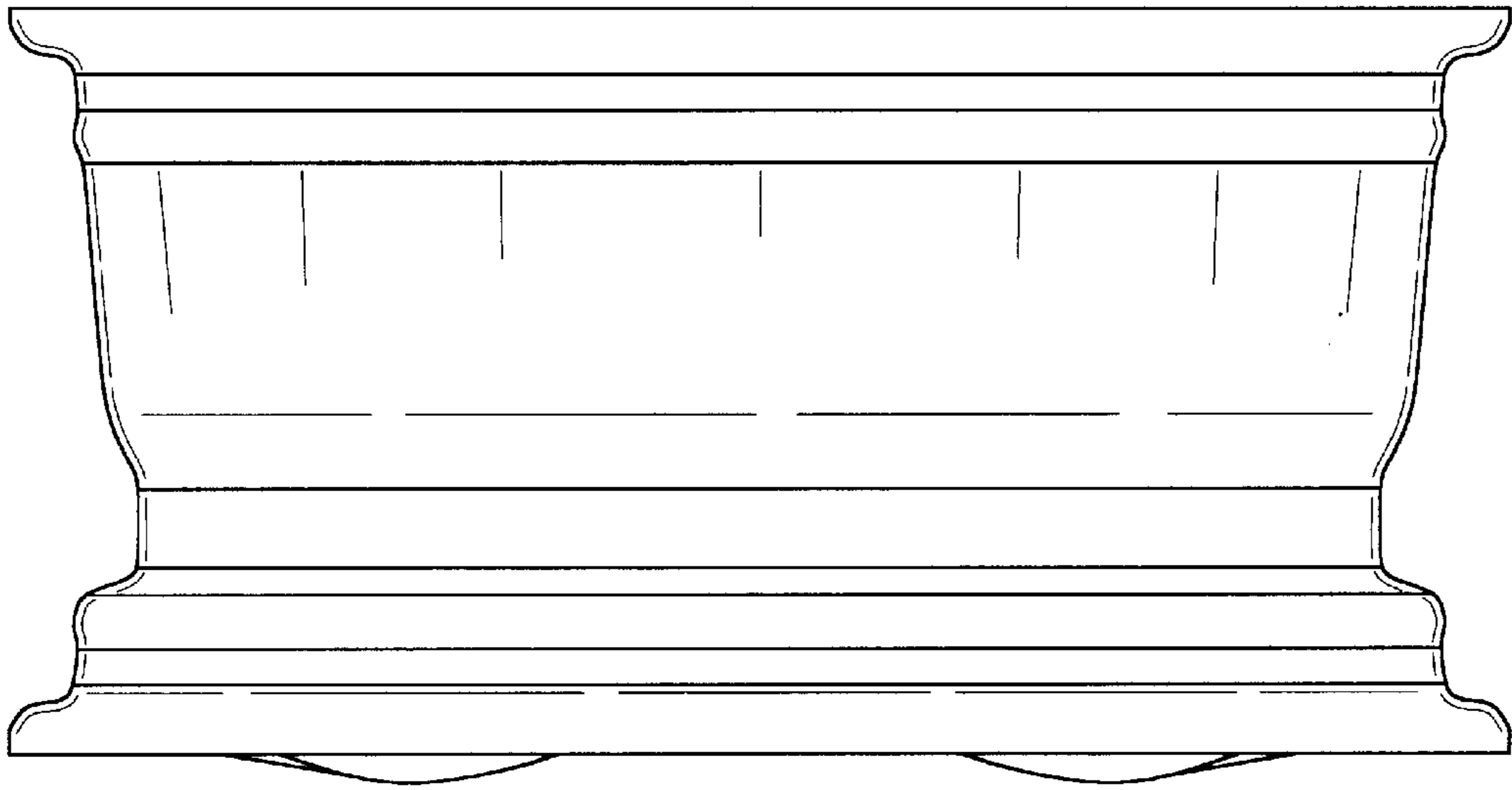


FIG-2

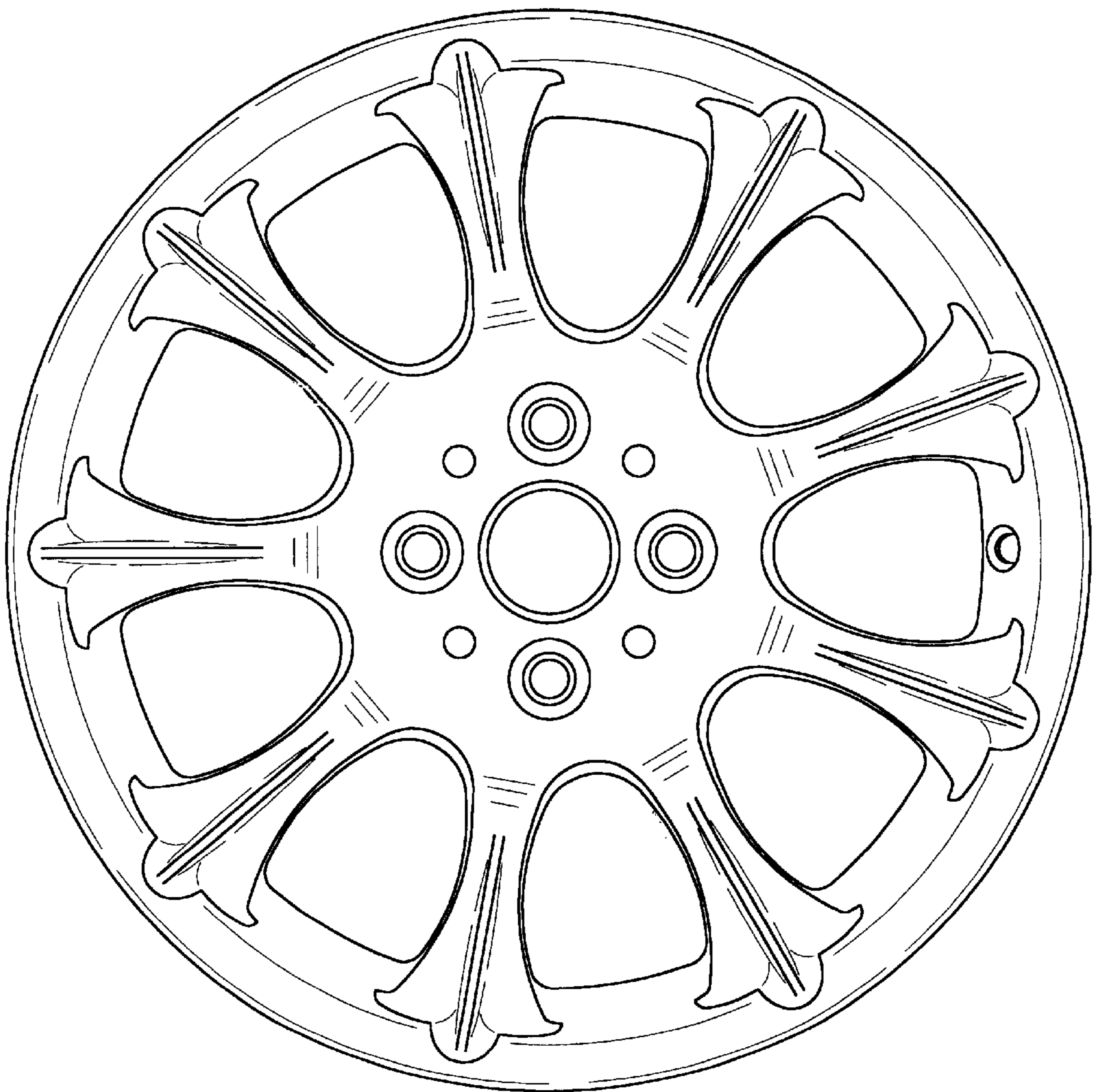


FIG-1

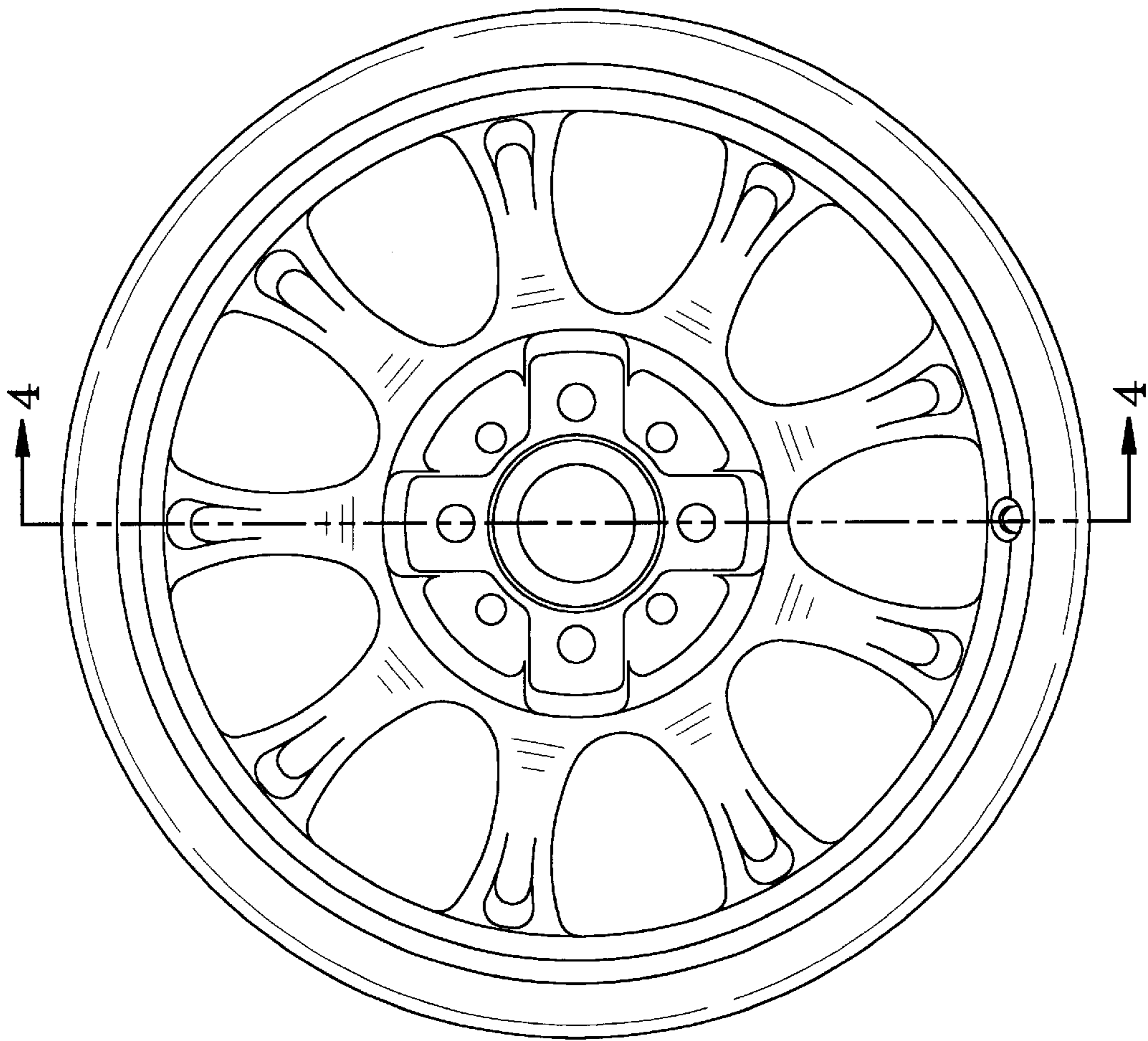


FIG-3

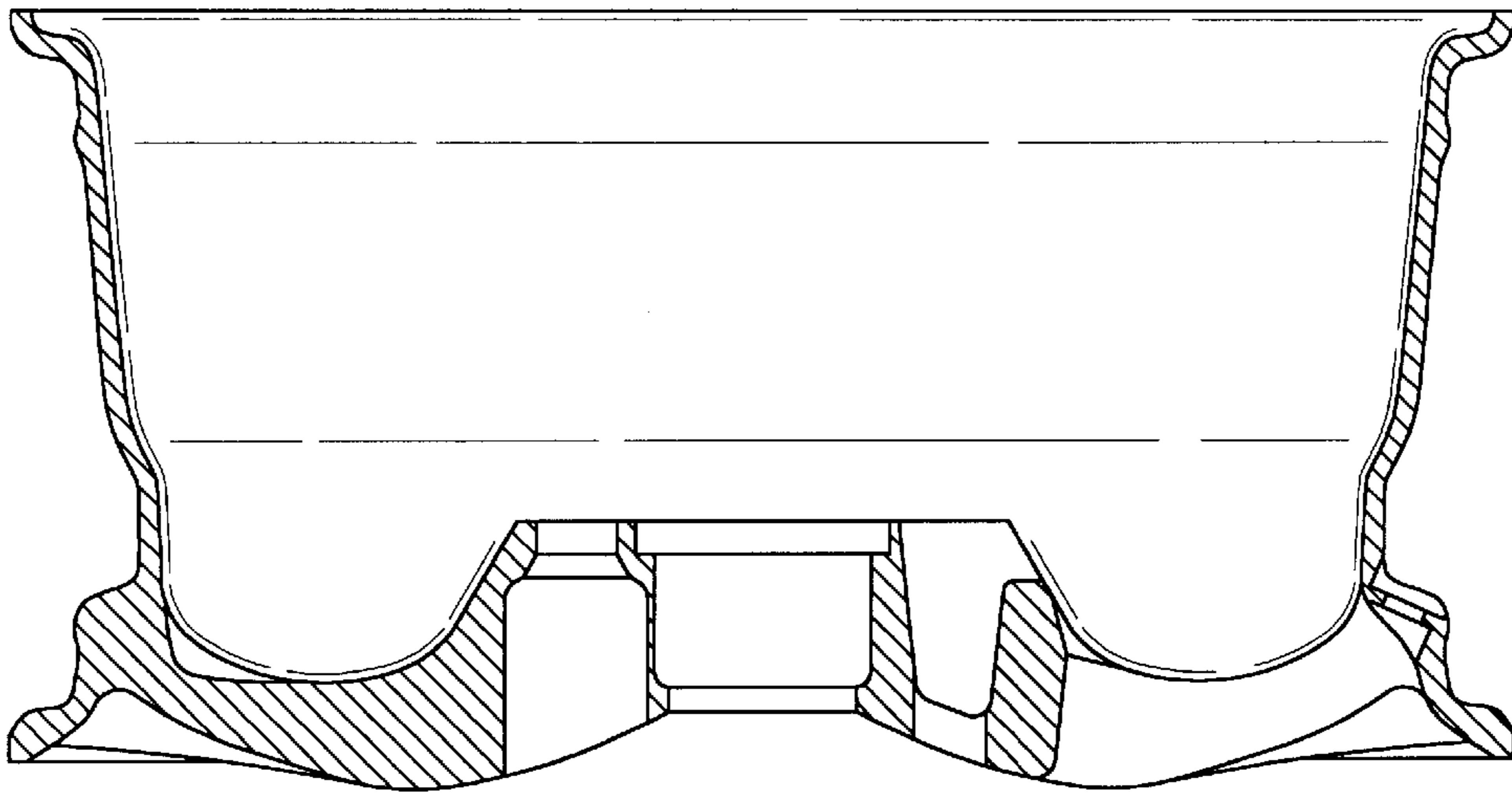


FIG-4