



US00D431221S

United States Patent [19]

Smith et al.

[11] Patent Number: **Des. 431,221**

[45] Date of Patent: **** *Sep. 26, 2000**

[54] **END GATE FOR A DUMP TRUCK BODY**

[75] Inventors: **Joseph G. Smith**, Howard; **Richard R. Lewellen**, Wooster, both of Ohio

[73] Assignee: **Stahl/Scott Fetzer Company**, Wooster, Ohio

[*] Notice: This patent is subject to a terminal disclaimer.

[**] Term: **14 Years**

[21] Appl. No.: **29/102,197**

[22] Filed: **Mar. 19, 1999**

[51] **LOC (7) Cl.** **12-16**

[52] **U.S. Cl.** **D12/196**

[58] **Field of Search** D12/196, 14, 15, D12/93, 98; 414/476, 477, 480; 298/11, 23 C, 23 M, 30; 296/56, 57.1

[56] **References Cited**

U.S. PATENT DOCUMENTS

- D. 256,901 9/1980 Carr, Jr. et al. .
- D. 342,930 1/1994 Lewellen et al. .
- D. 345,123 3/1994 Lewellen et al. .
- D. 346,571 5/1994 Lewellen et al. .
- D. 351,816 10/1994 Lewellen et al. .
- D. 351,817 10/1994 Lewellen et al. .
- D. 374,854 10/1996 Little et al. D12/400
- D. 386,128 11/1997 Gerding et al. .
- D. 393,234 4/1998 Stragier .
- D. 409,524 5/1999 McKinney D12/93

- D. 414,138 9/1997 McKinney D12/98
- 4,306,381 12/1981 Presto .
- 5,239,753 8/1993 Kalis, Jr. et al. .

OTHER PUBLICATIONS

Advertisement for Henderson Manufacturing, Division of Willknight, Inc., Manchester, Iowa, Entitled "Spreader and Dump Body Combo Works Year Around", Published on p. 42 of *Government Product News Magazine*, Dec. 1998. Product Brochure for Stahl Landmaster Dump Bodies, Stahl/Scott Fetzer, Wooster, Ohio Published, 1995.

Primary Examiner—Melody N. Brown
Attorney, Agent, or Firm—Watts, Hoffmann, Fisher & Heinke, Co., LPA

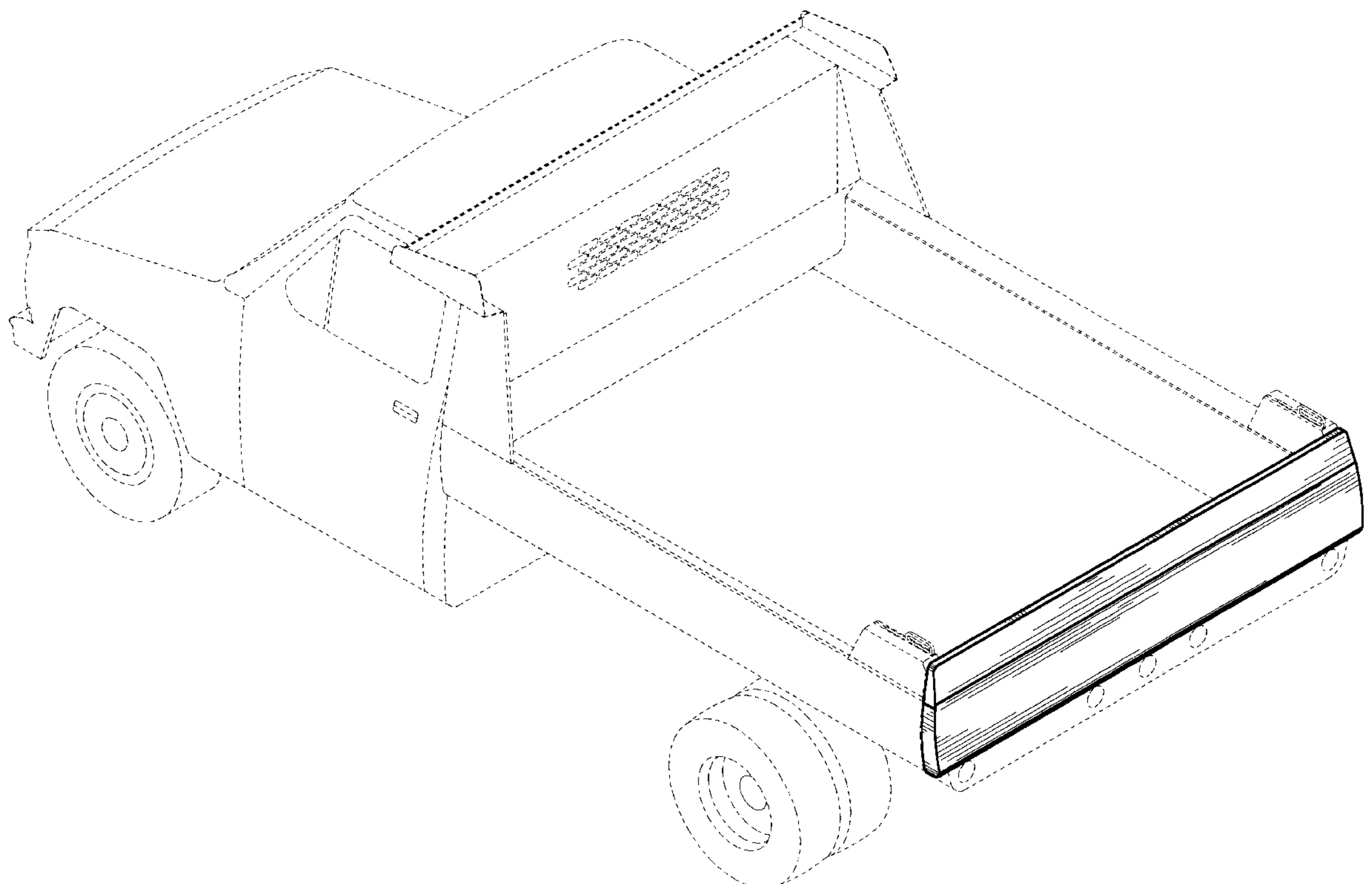
[57] **CLAIM**

We claim the ornamental design for an end gate for a dump truck body, as shown and described.

DESCRIPTION

FIG. 1 is a perspective view of the end gate showing our new design; FIG. 2 is a rear elevational view of the end gate; FIG. 3 is a front elevational view of the end gate; FIG. 4 is a left side elevational view of the end gate, the right side elevational view being a mirror image; FIG. 5 is a top plan view of the end gate; and, FIG. 6 is a bottom plan view of the end gate. The broken lines shown are for illustrative purposes only and form no part of the claimed design.

1 Claim, 2 Drawing Sheets



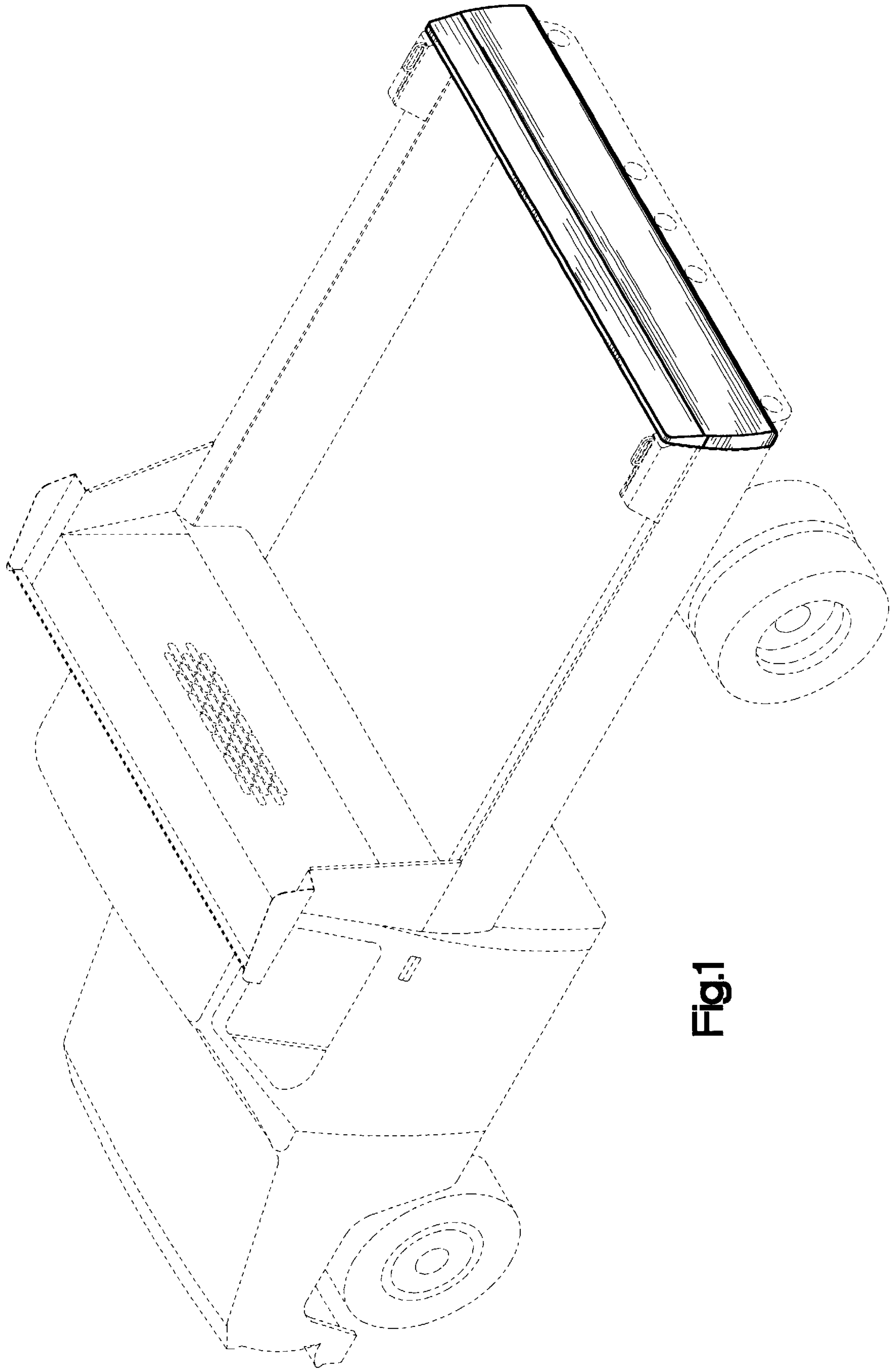


Fig.1

Fig.2

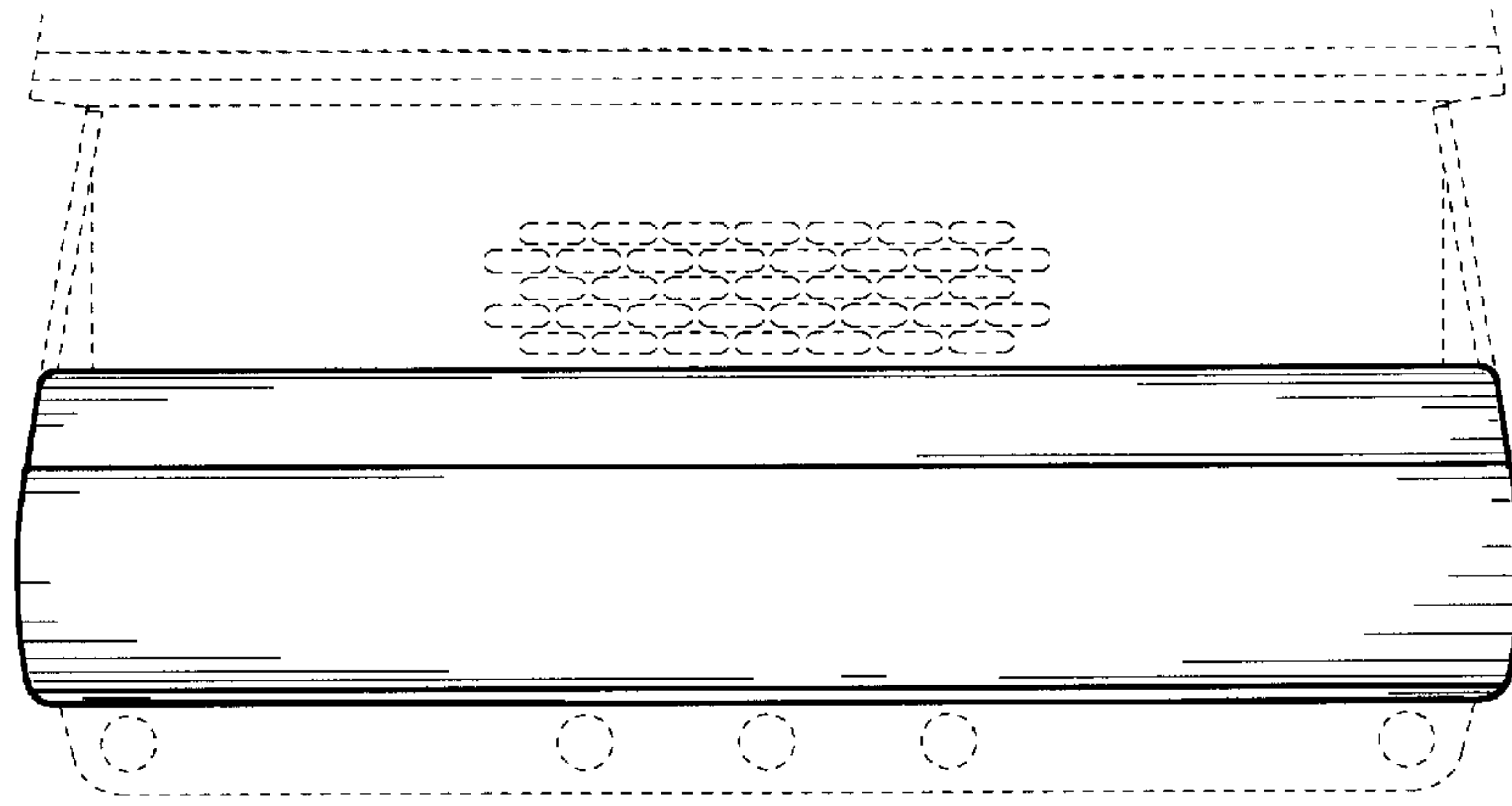


Fig.3

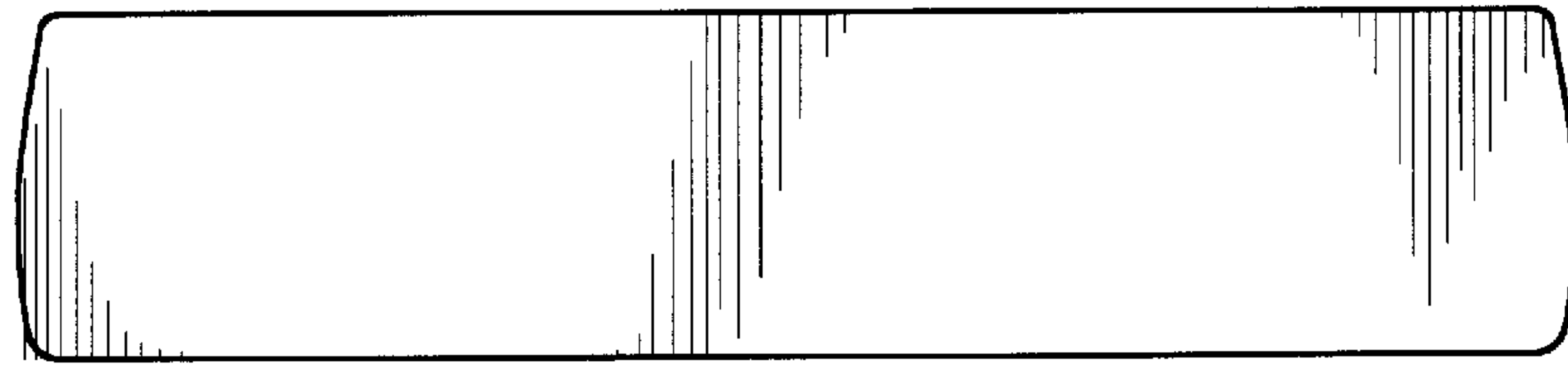


Fig.4

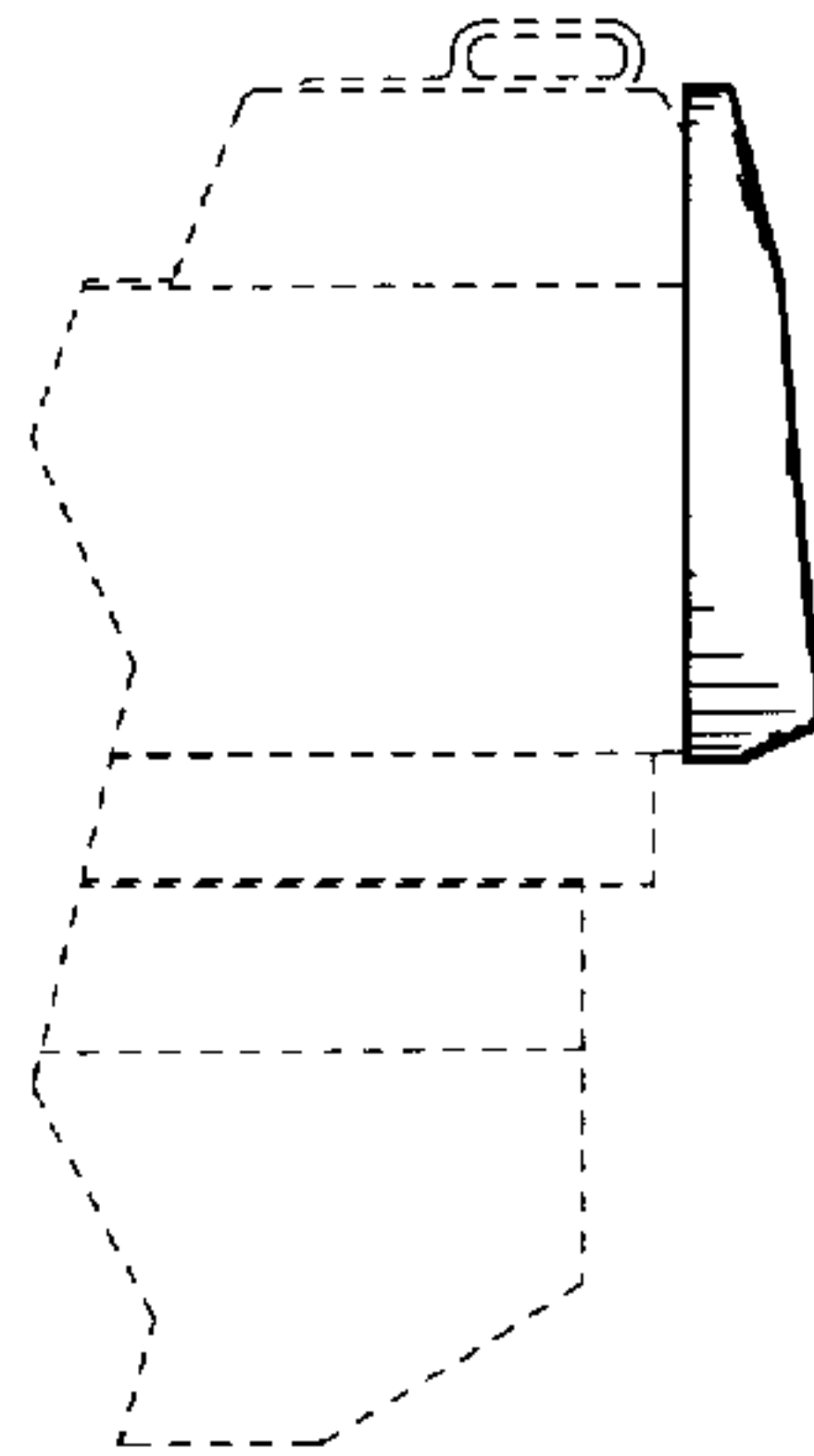


Fig.5

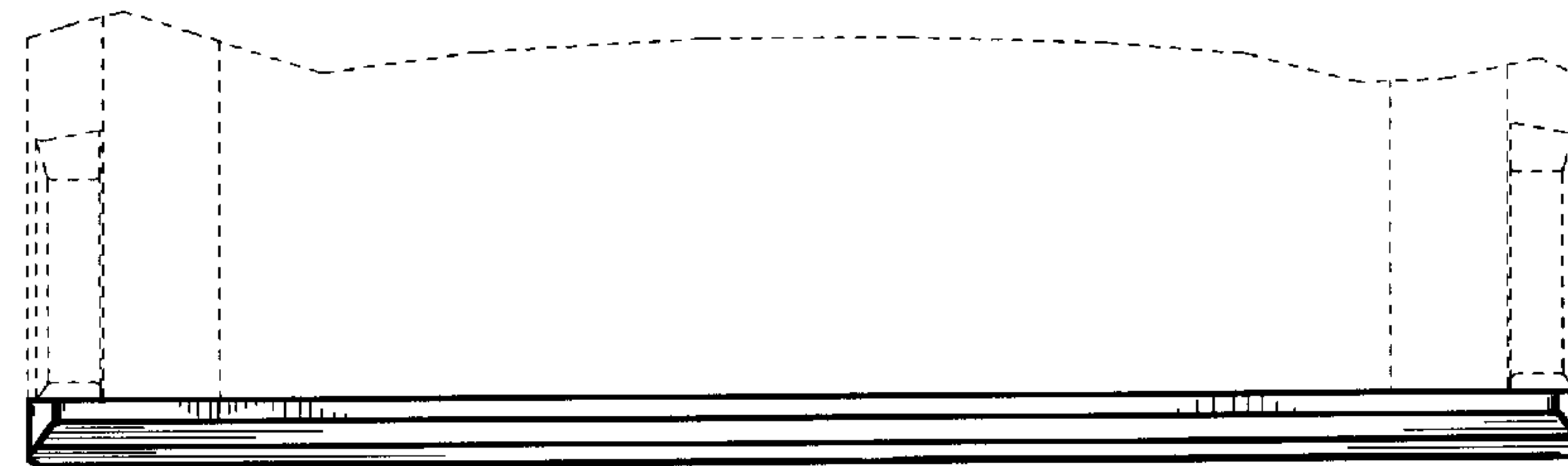


Fig.6

