



US00D431216S

United States Patent [19]
Belinky

[11] **Patent Number: Des. 431,216**

[45] **Date of Patent: ** Sep. 26, 2000**

[54] **CAST DRAW BALL HITCH**

[75] Inventor: **Jacob S. Belinky**, Carleton, Mich.

[73] Assignee: **Draw-Tite, Inc.**, Canton, Mich.

[**] Term: **14 Years**

[21] Appl. No.: **29/116,920**

[22] Filed: **Jan. 12, 2000**

[51] **LOC (7) Cl.** **12-16**

[52] **U.S. Cl.** **D12/162**

[58] **Field of Search** D12/162; 280/504,
280/507, 511-514, 477, 415.1, 416.1, 417.1,
493, 495, 491.3

[56] **References Cited**

U.S. PATENT DOCUMENTS

- D. 142,881 11/1945 Martin D12/162
- D. 142,882 11/1945 Martin D12/162
- D. 157,643 3/1950 Swaisgood D12/162
- D. 158,372 5/1950 Gee D12/162
- D. 173,549 11/1954 Taylor D12/162
- D. 342,472 12/1993 Harper D12/162
- D. 369,581 5/1996 McCoy et al. D12/162

- D. 375,065 10/1996 Duvernay et al. D12/162
- D. 415,986 11/1999 Stech D12/162
- 4,923,205 5/1990 Durm 280/507 X
- 5,242,186 9/1993 Pettersson 280/511

Primary Examiner—Stacia Cadmus
Attorney, Agent, or Firm—Kwadjo Adusei-Poku; Lloyd D. Doigan

[57] **CLAIM**

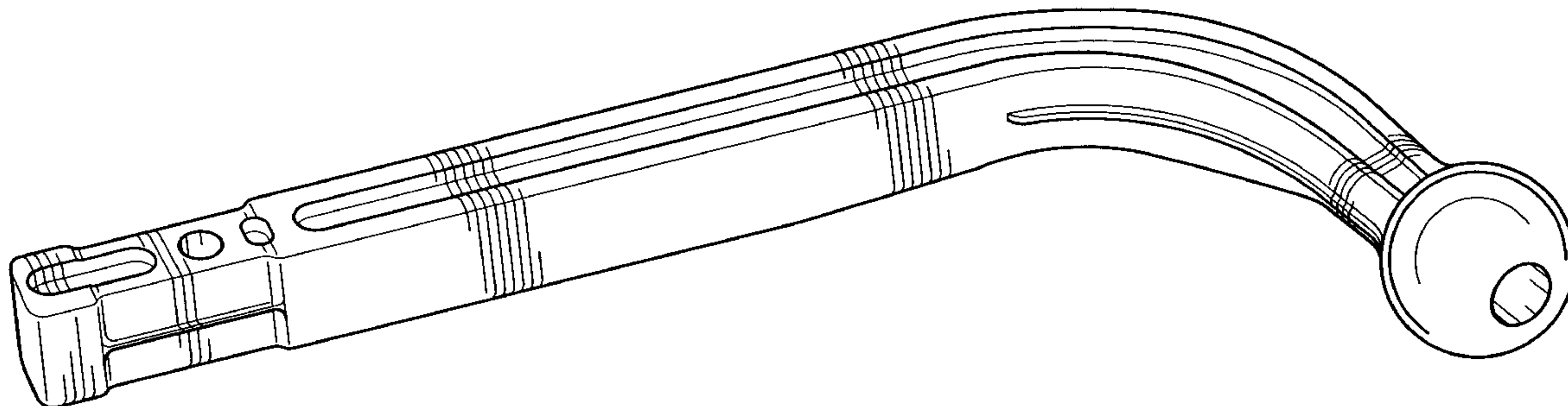
The ornamental design for a cast draw ball hitch, as shown and described.

DESCRIPTION

FIG. 1 is a perspective view of a cast draw ball hitch showing my new design;
FIG. 2 is a top plan view thereof;
FIG. 3 is a side view thereof, it being understood that the opposite side is a mirror image thereof;
FIG. 4 is a bottom plan view thereof;
FIG. 5 is a front view thereof; and,
FIG. 6 is a rear view thereof.

The surface(s) or portion(s) of the article not shown in the drawing or described in the specification form(s) no part of the claimed design.

1 Claim, 3 Drawing Sheets



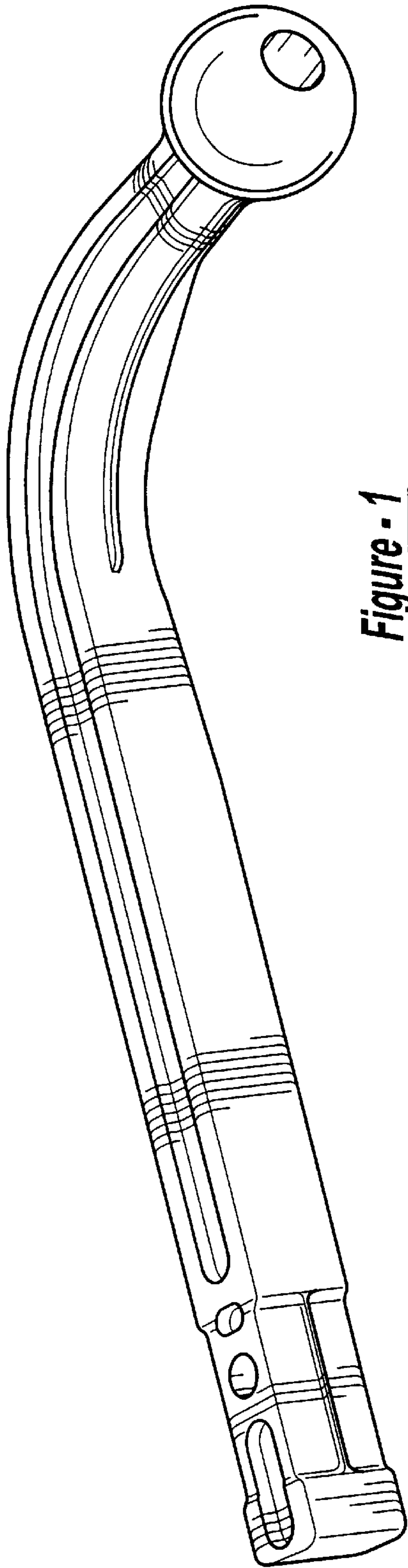


Figure - 1

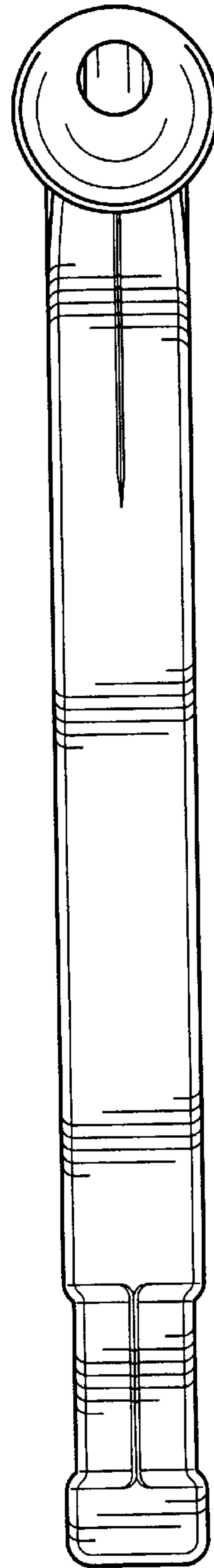


Figure - 2

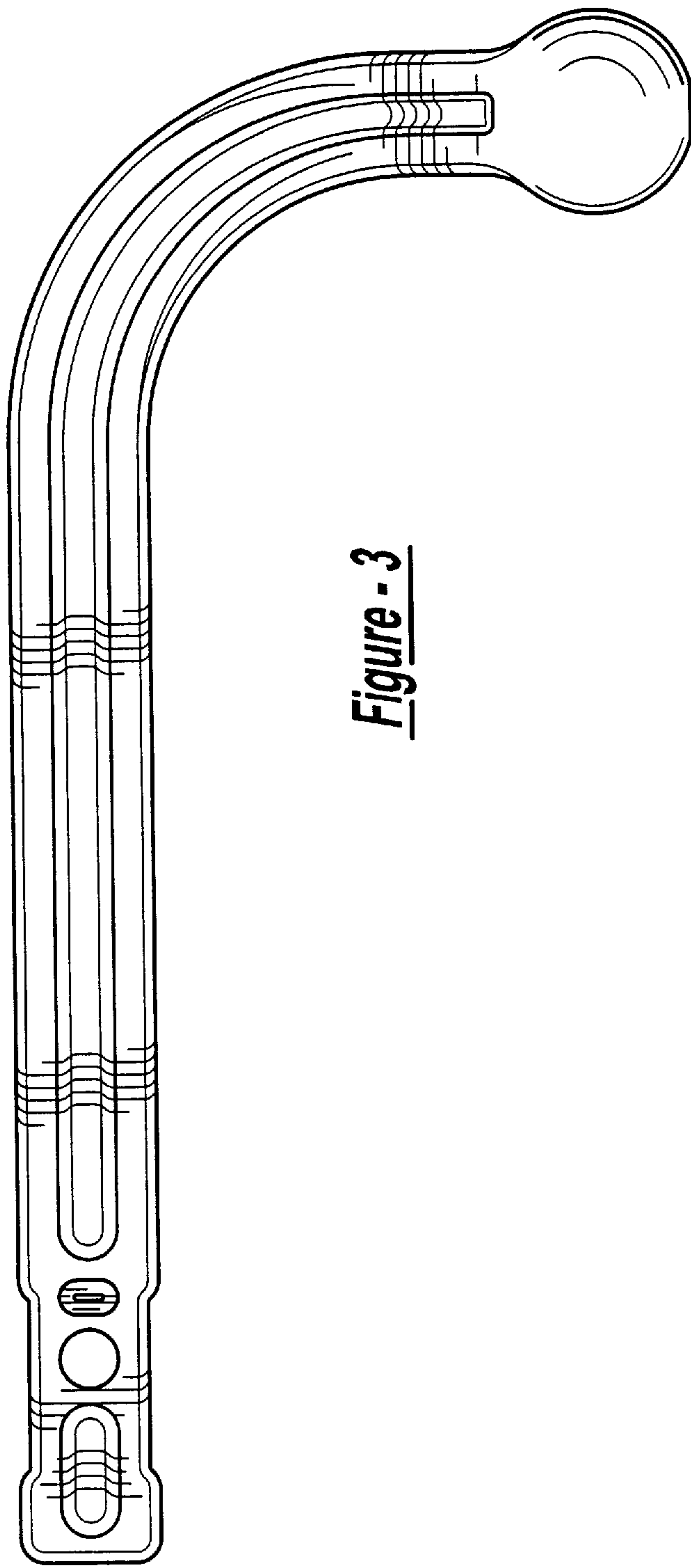


Figure - 3

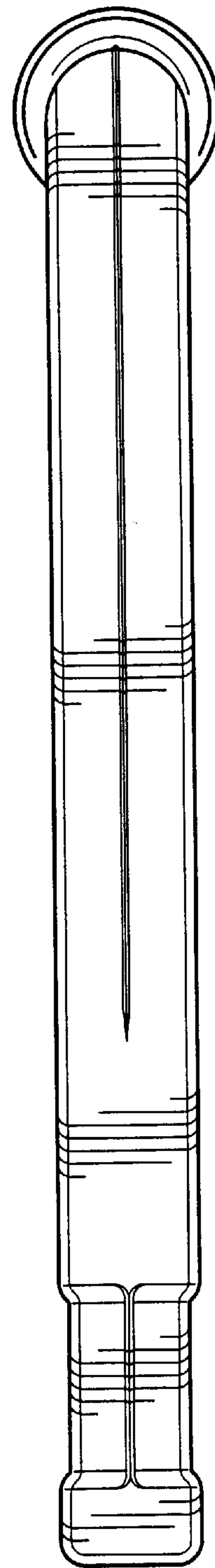


Figure - 4

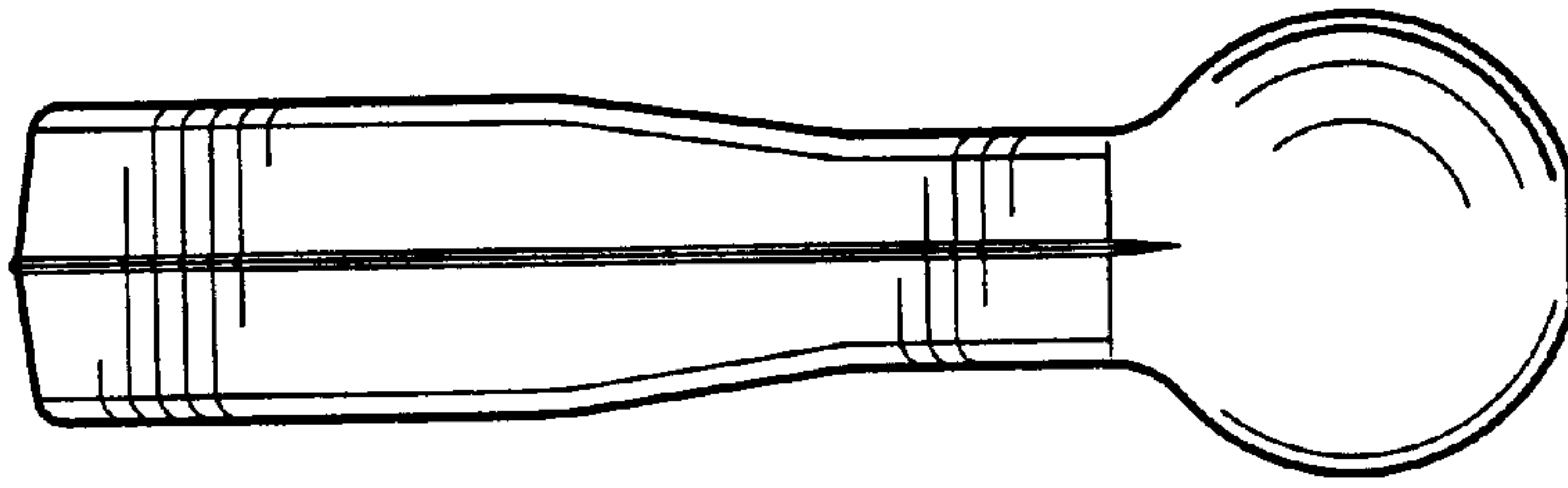


Figure - 5

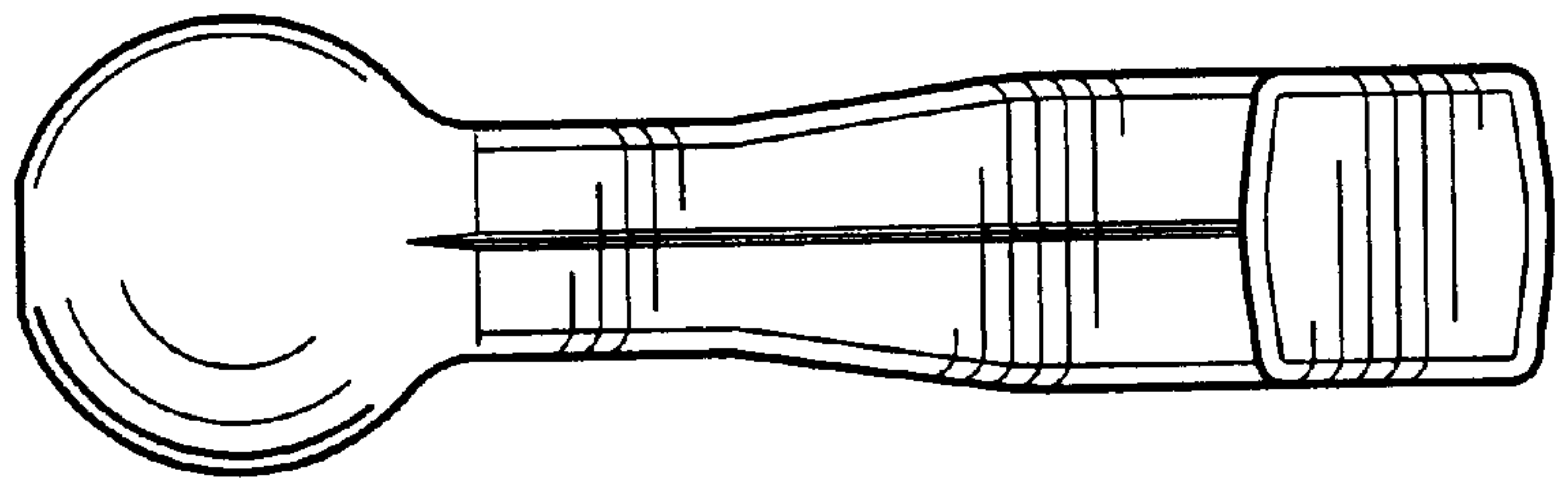


Figure - 6