



US00D431213S

United States Patent [19] Yang

[11] **Patent Number: Des. 431,213**

[45] **Date of Patent: ** Sep. 26, 2000**

[54] **STROLLER**

D. 387,019 12/1997 Yang D12/129
D. 402,234 12/1998 Julien et al. D12/129

[75] Inventor: **Chih-Huang Yang**, Taichung, Taiwan

[73] Assignee: **Ben M. Hsia**, Northridge, Calif.

[**] Term: **14 Years**

Primary Examiner—Kay H. Chin
Attorney, Agent, or Firm—Ohlandt, Greeley, Ruggiero & Perle, L.L.P.

[21] Appl. No.: **29/115,569**

[22] Filed: **Dec. 16, 1999**

[57] **CLAIM**

The ornamental design for a stroller, as shown and described.

[51] **LOC (7) Cl.** **12-12**

[52] **U.S. Cl.** **D12/129**

[58] **Field of Search** D12/128-133;
280/642, 643, 644, 647, 648, 649, 650,
30

DESCRIPTION

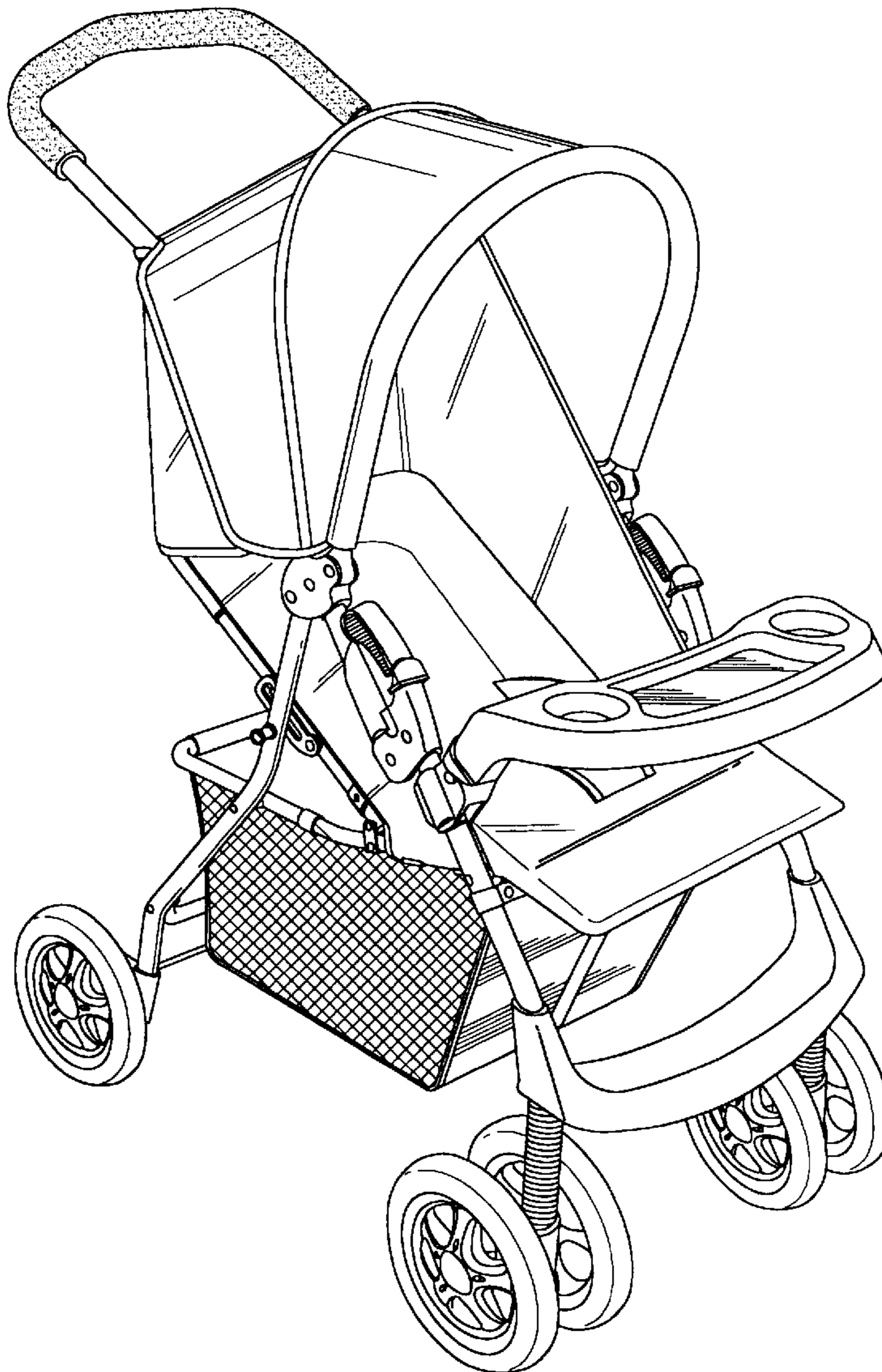
FIG. 1 is a perspective view of a stroller showing my new design;
FIG. 2 is a left elevational view thereof;
FIG. 3 is a right elevational view thereof;
FIG. 4 is a rear side elevational view thereof;
FIG. 5 is a front side elevational view thereof;
FIG. 6 is a top plan view thereof; and,
FIG. 7 is a bottom plan view thereof.

[56] **References Cited**

U.S. PATENT DOCUMENTS

D. 365,784 1/1996 Wennerstrom et al. D12/129
D. 370,438 6/1996 Haut et al. D12/129

1 Claim, 5 Drawing Sheets



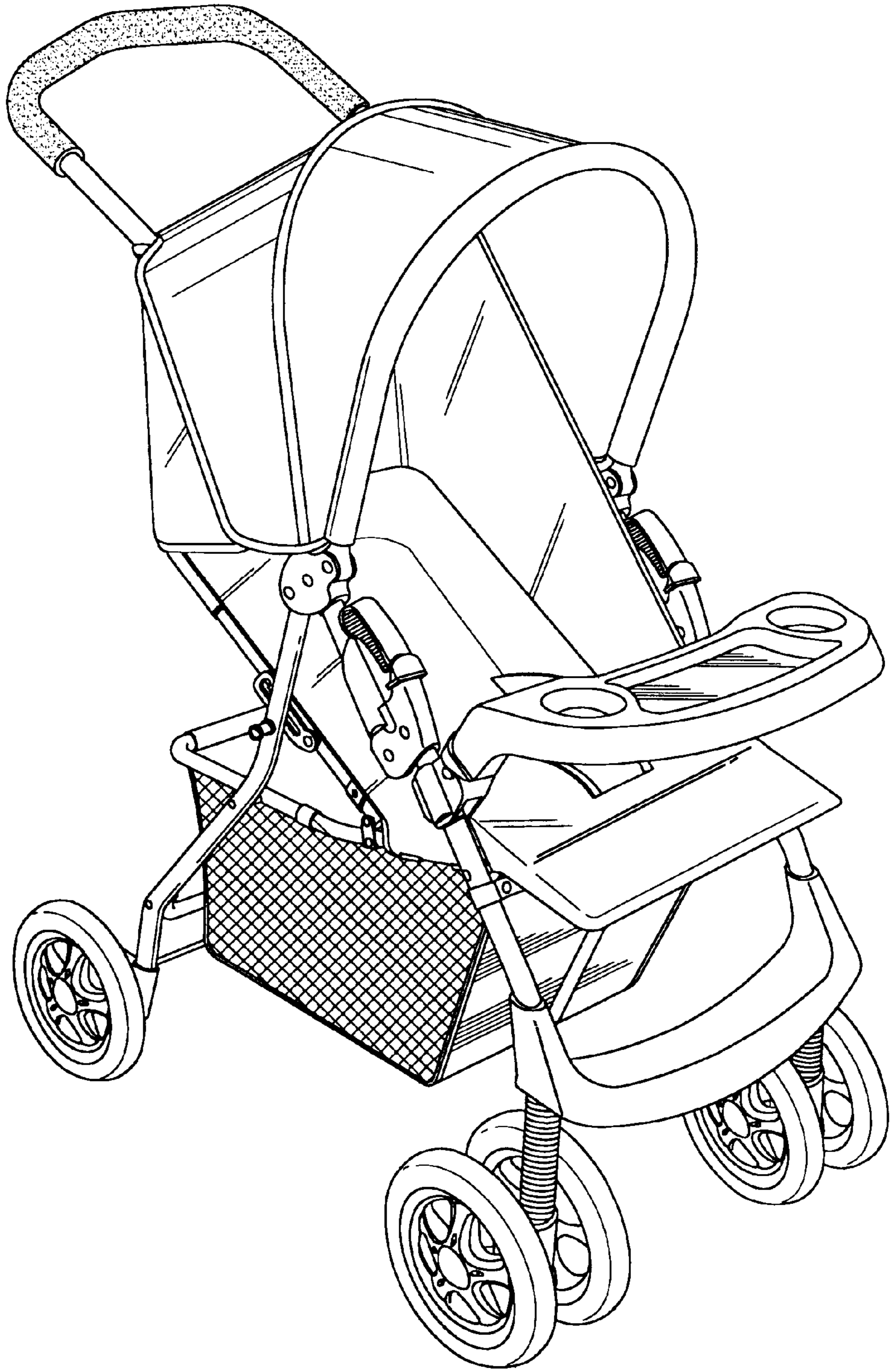


FIG. 1

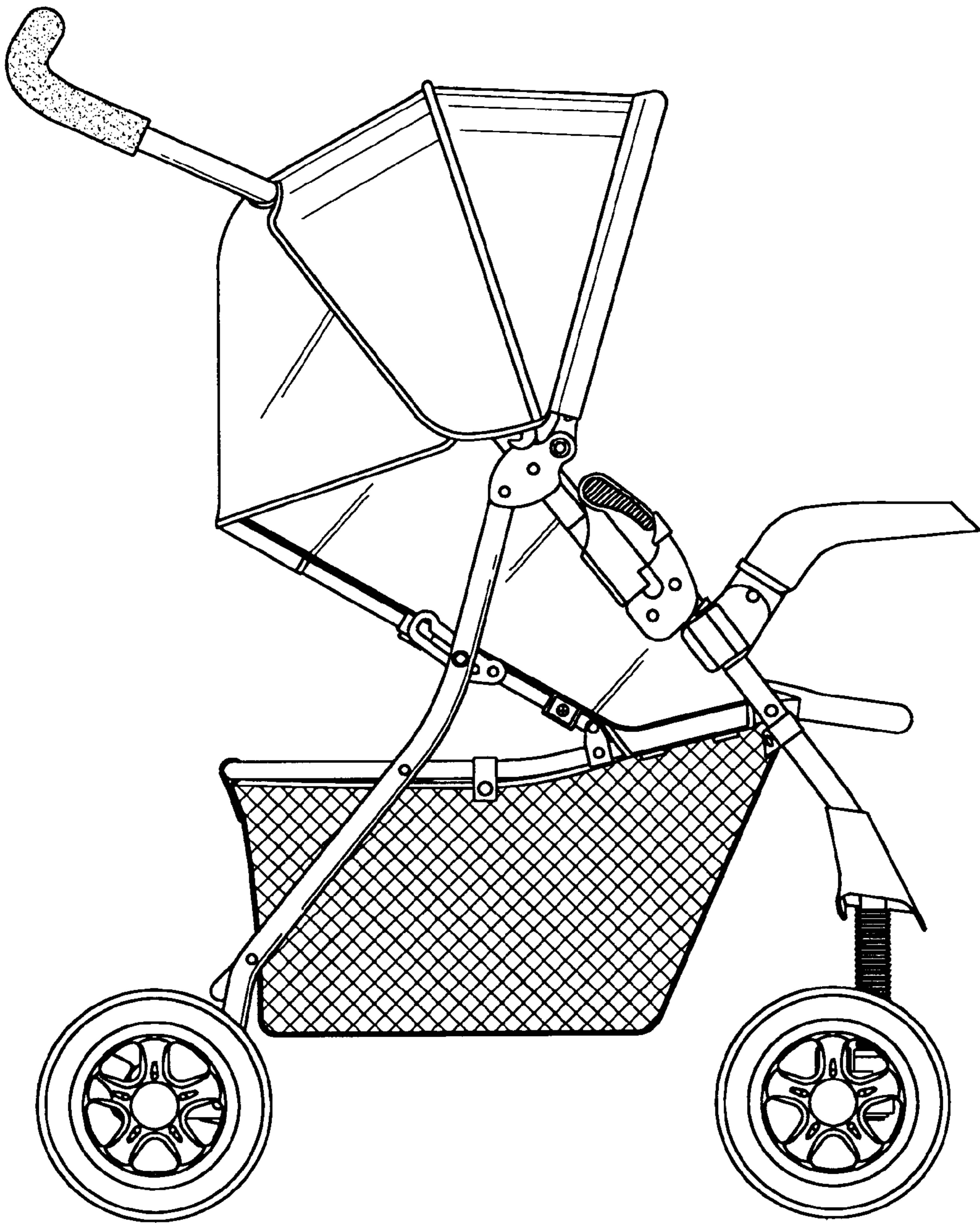


FIG. 2

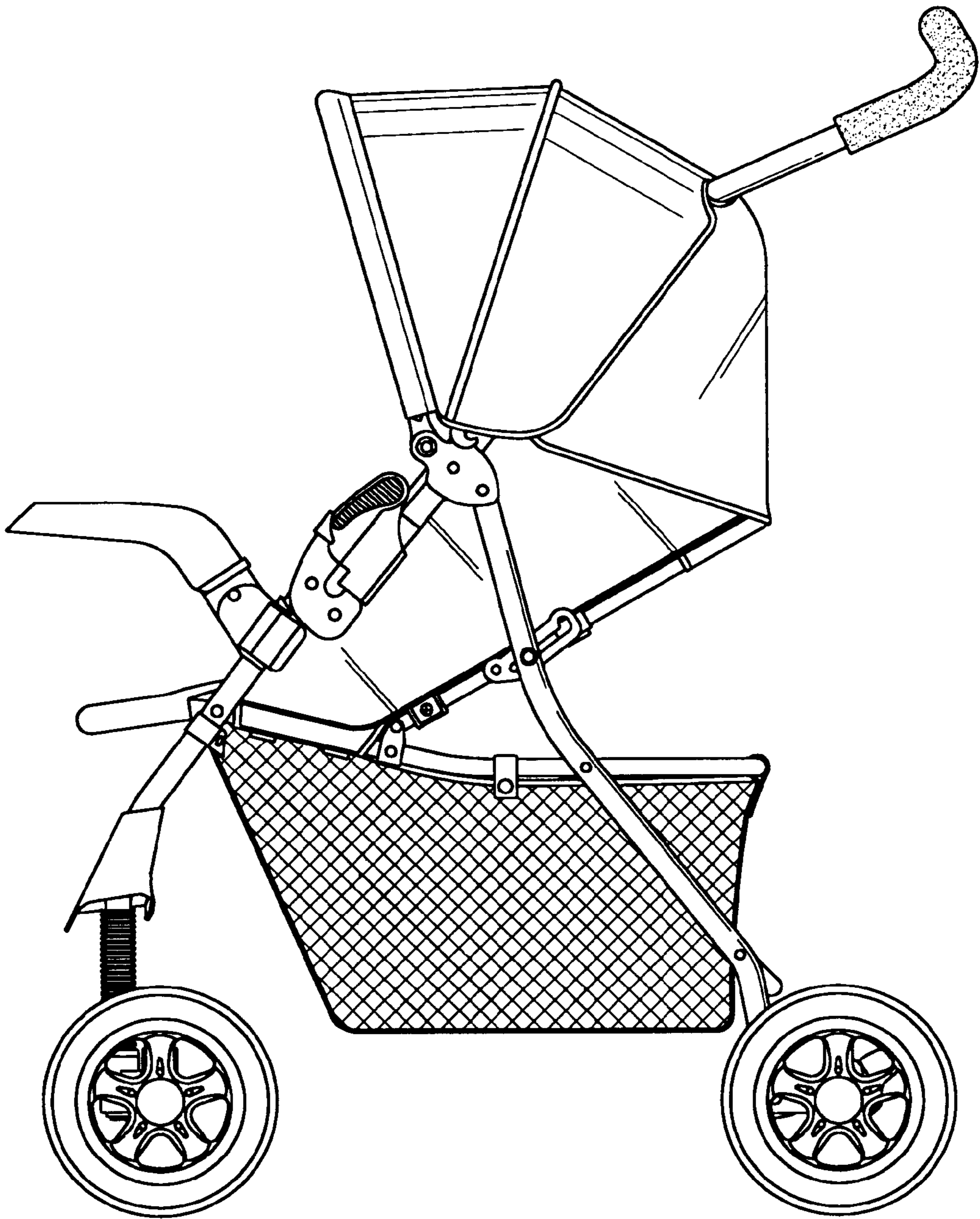


FIG. 3

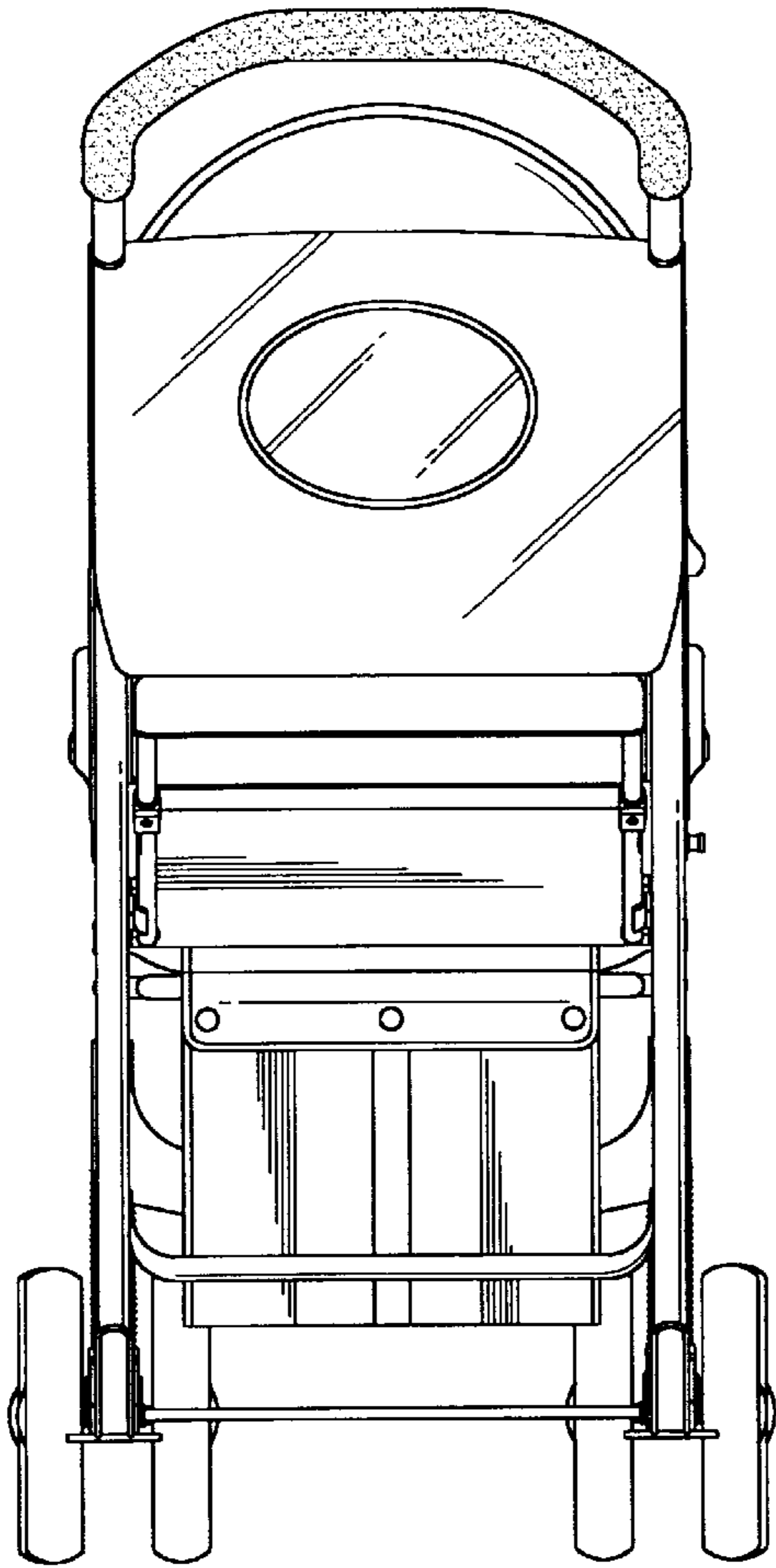


FIG. 4

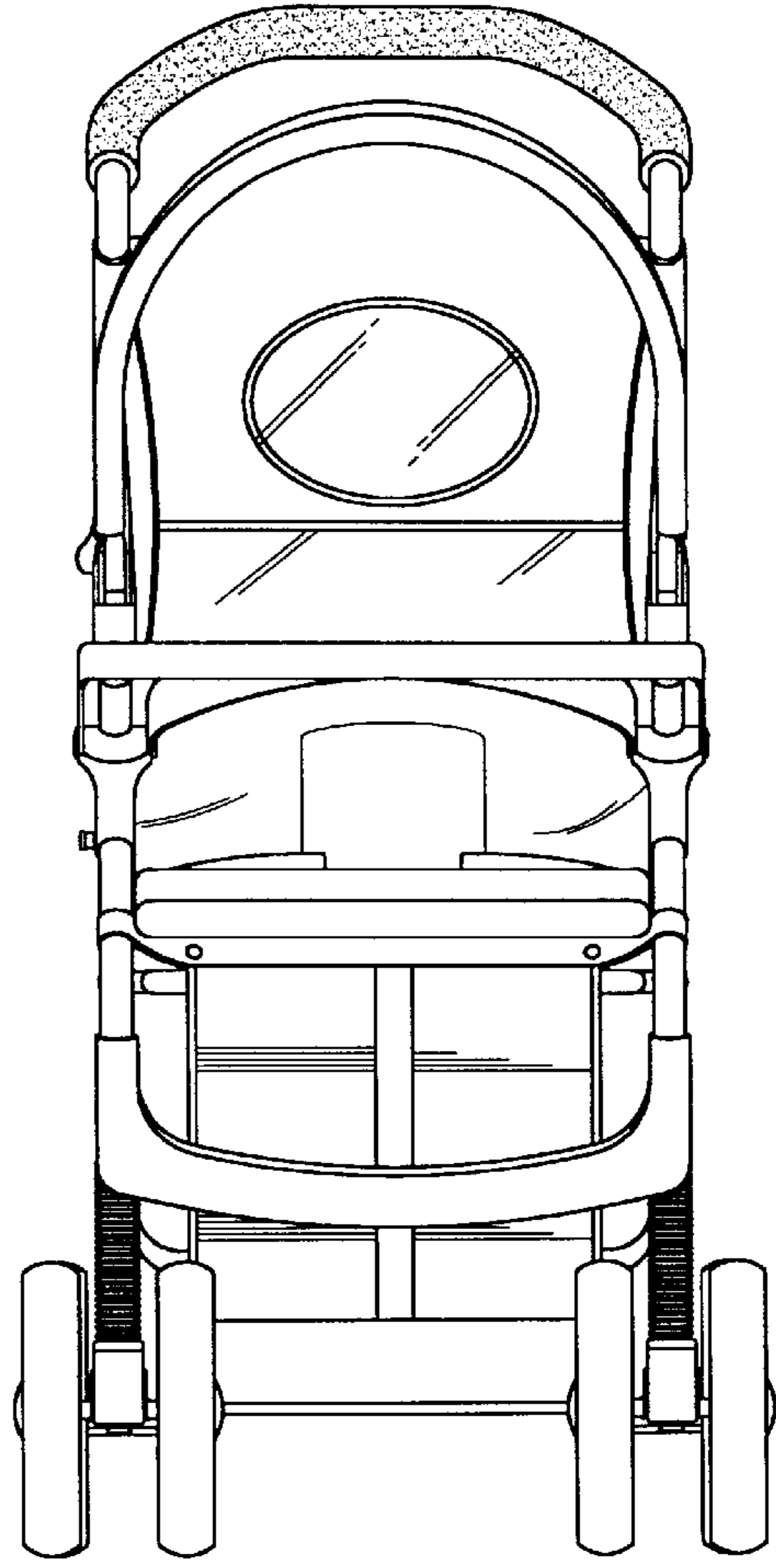


FIG. 5

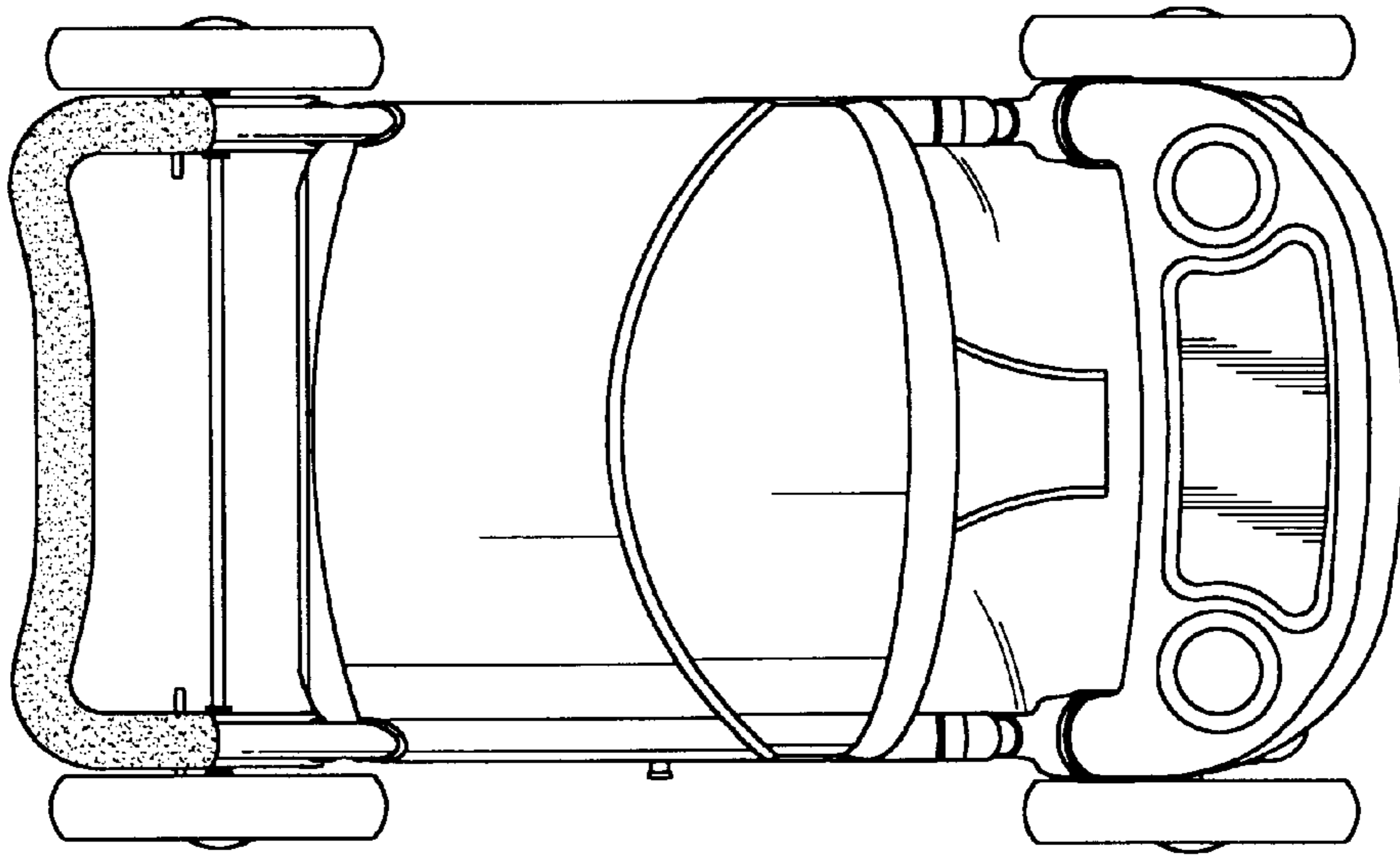


FIG. 6

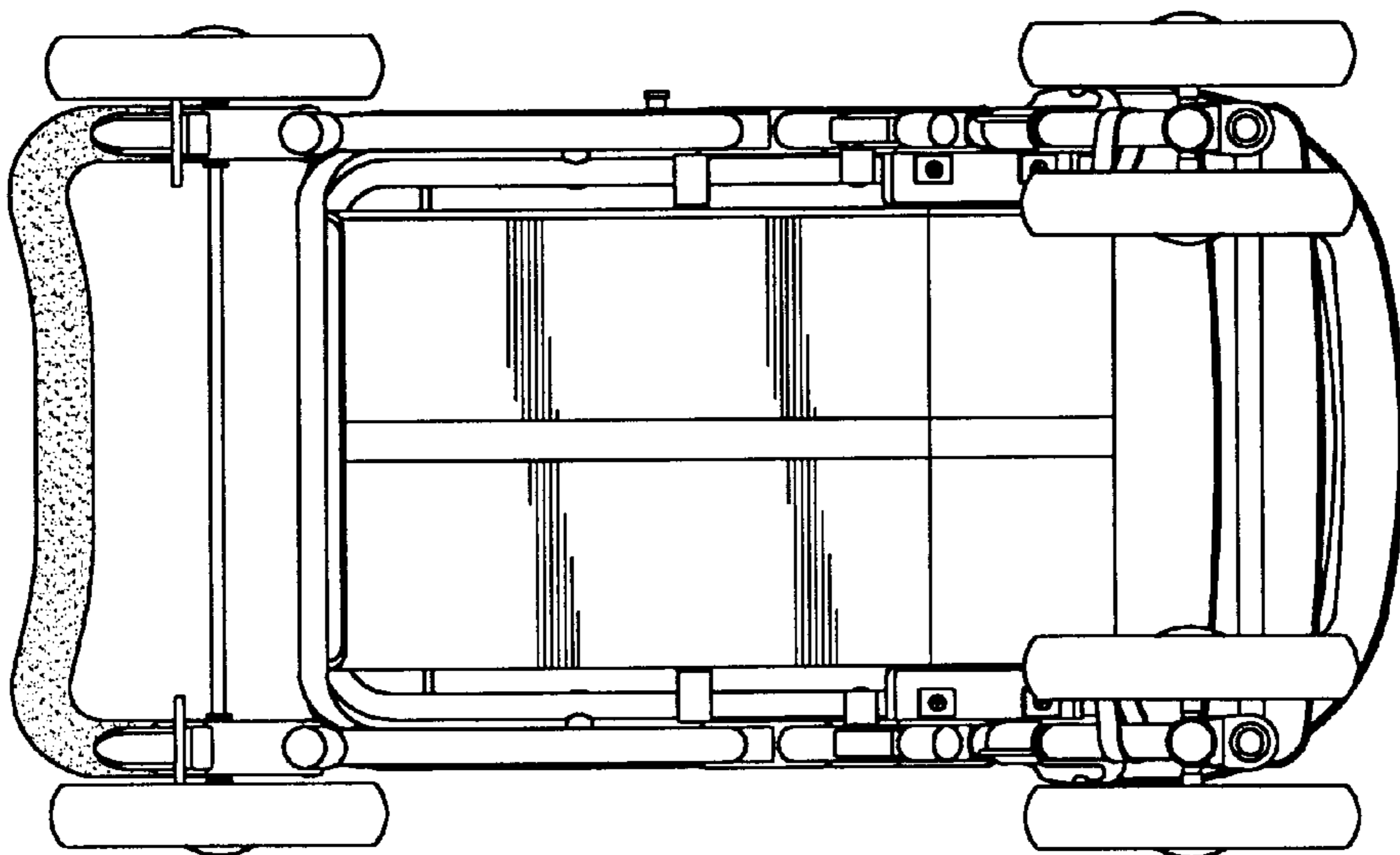


FIG. 7