



US00D431204S

United States Patent [19]
Gurevich et al.

[11] **Patent Number: Des. 431,204**
[45] **Date of Patent: ** Sep. 26, 2000**

[54] **MULTI-STONE SETTING FOR DIAMONDS AND GEMSTONES**

[75] Inventors: **Zelik Gurevich; Michael Schachter,**
both of New York, N.Y.

[73] Assignee: **Orion Diamond, Inc.,** New York, N.Y.

[**] Term: **14 Years**

[21] Appl. No.: **29/111,393**

[22] Filed: **Sep. 27, 1999**

Related U.S. Application Data

[62] Division of application No. 29/105,500, May 26, 1999.

[51] **LOC (7) Cl.** **11-01**

[52] **U.S. Cl.** **D11/92**

[58] **Field of Search** D11/1, 2, 91, 92,
D11/34, 40, 89, 26, 27, 30, 33, 7, 8; 63/26,
27, 28, 29.1

[56] **References Cited**

U.S. PATENT DOCUMENTS

- D. 68,639 11/1925 Robbins D11/34
- D. 68,640 11/1925 Robbins D11/34
- D. 114,649 5/1939 Simon D11/89
- D. 386,443 11/1997 Itzkowitz .
- D. 387,302 12/1997 Itzkowitz .
- D. 388,015 12/1997 Itzkowitz .
- D. 388,016 12/1997 Kejejian .
- D. 388,017 12/1997 Kejejian .
- D. 400,121 10/1998 Ambar .

- D. 403,611 1/1999 Lai .
- D. 411,134 6/1999 Lai .
- 2,200,841 5/1940 Gaertner D11/92
- 5,123,265 6/1992 Ramot .
- 5,520,017 5/1996 Vivat .
- 5,848,539 12/1998 Ouzounian .

Primary Examiner—Ralf Seifert
Attorney, Agent, or Firm—Ezra Sutton

[57] **CLAIM**

The ornamental design for a multi-stone setting for diamonds and gemstones, as shown and described.

DESCRIPTION

FIG. 1 is a top perspective view of a multi-stone setting for diamonds and gemstones embodying our new design; FIG. 2 is a front view thereof; the rear view being a mirror image thereof;

FIG. 3 is a side view thereof, the other side view being a mirror image thereof;

FIG. 4 is a top view thereof;

FIG. 5 is a bottom view thereof;

FIG. 6 is a top perspective view of a first alternate embodiment of a multi-stone setting for diamonds and gemstones embodying our new design;

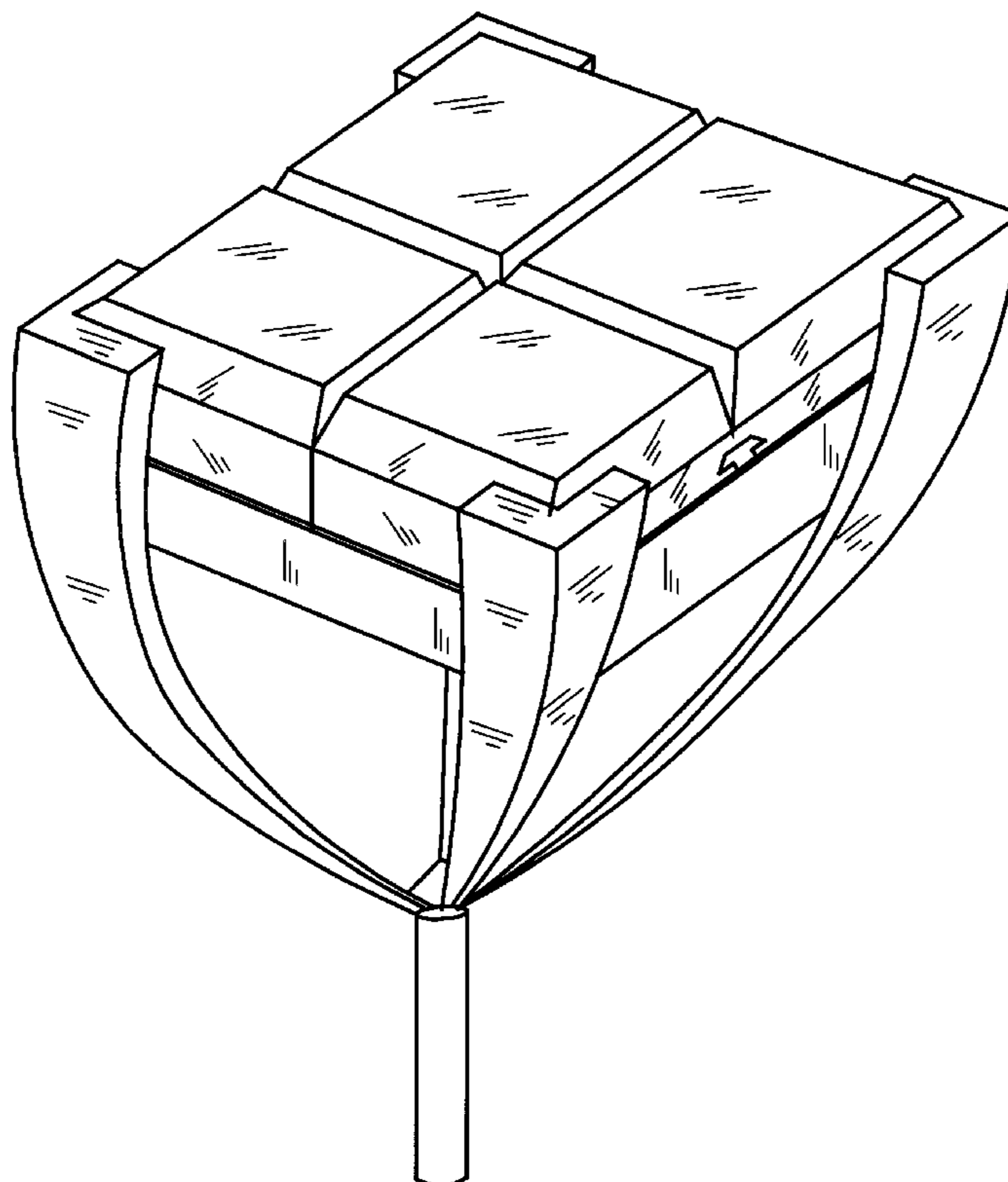
FIG. 7 is a front view thereof; the rear view being a mirror image thereof;

FIG. 8 is a side view thereof, the other side view being a mirror image thereof;

FIG. 9 is a top view thereof; and,

FIG. 10 is a bottom view thereof.

1 Claim, 5 Drawing Sheets



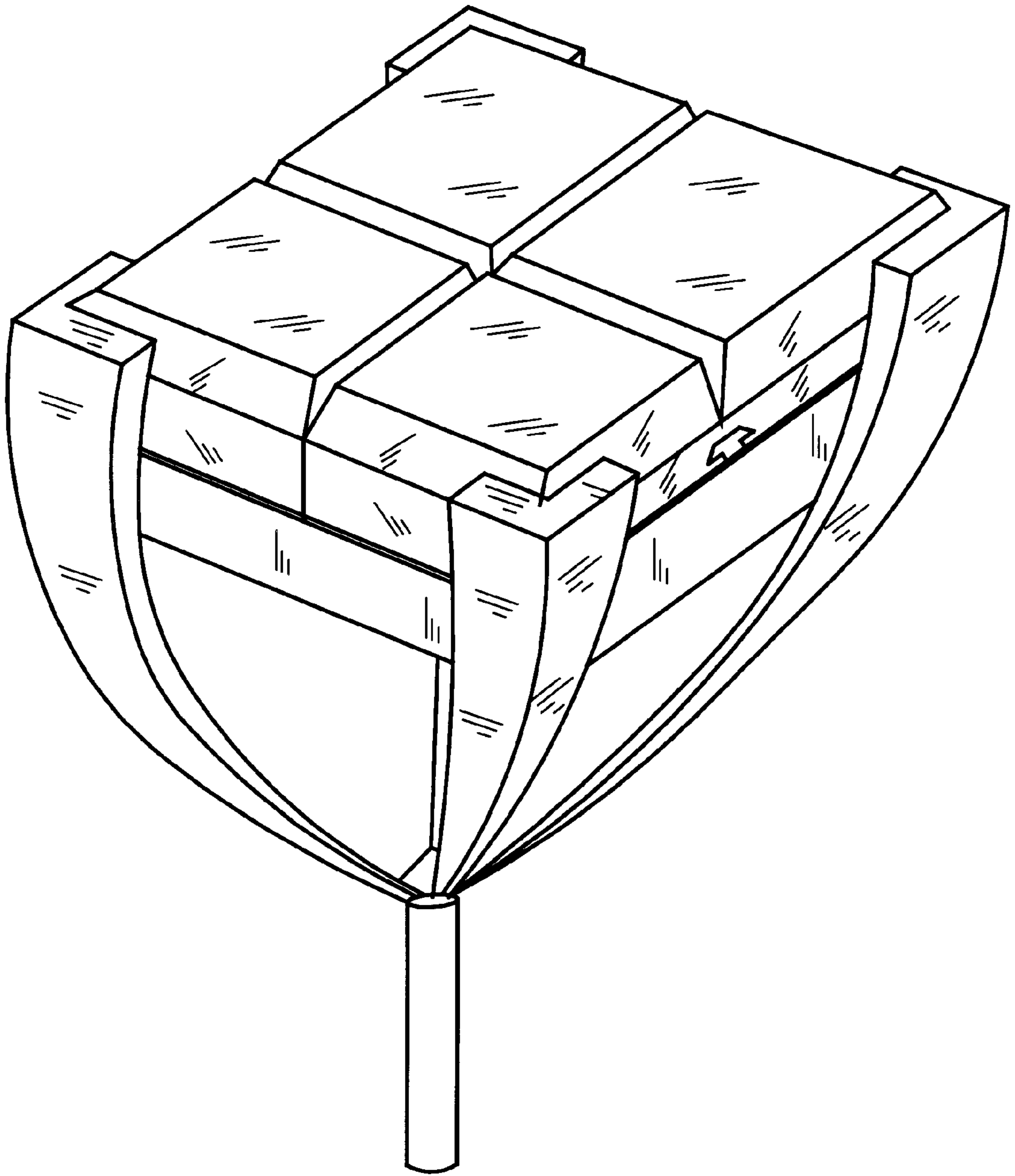


FIG. 1

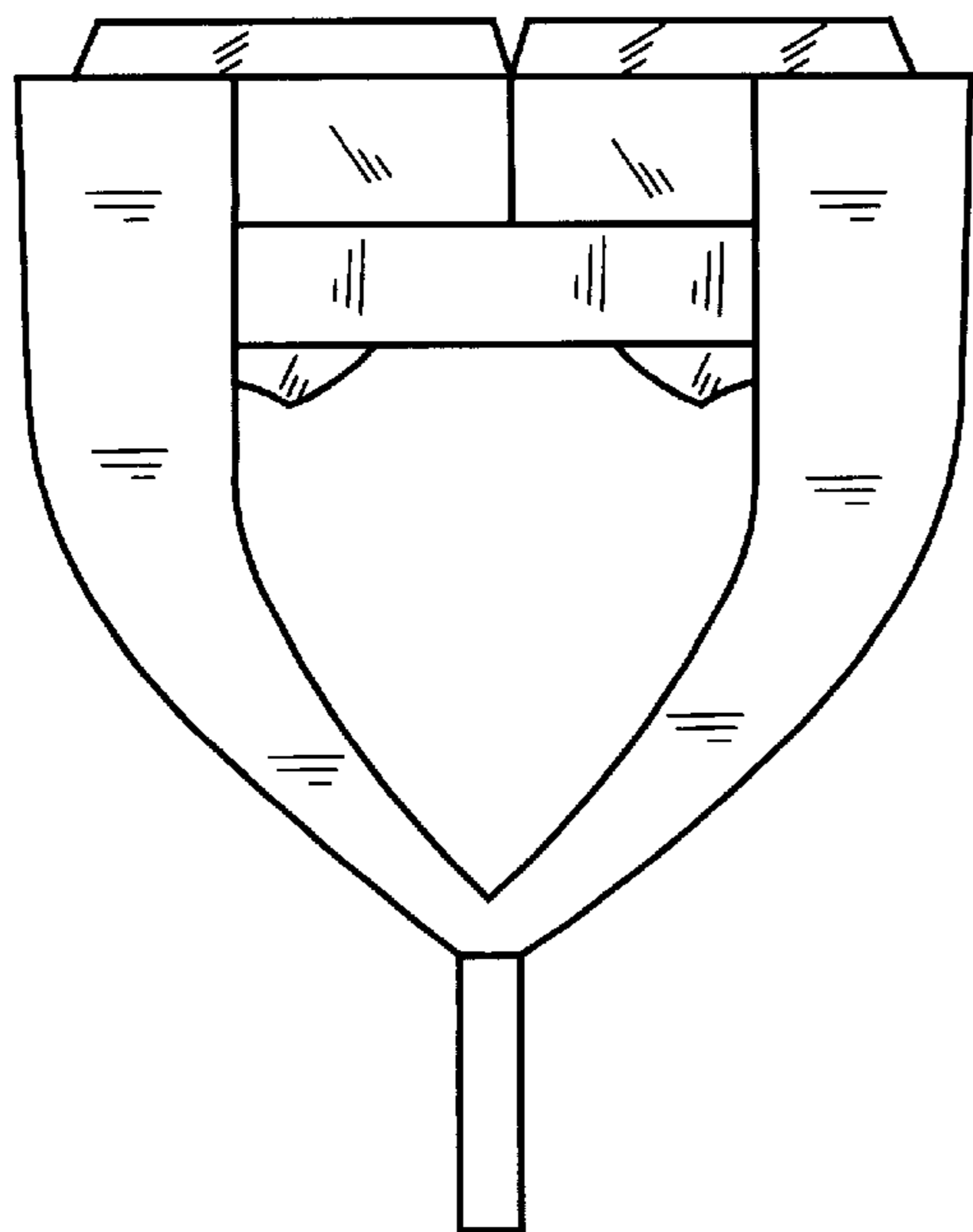


FIG. 2

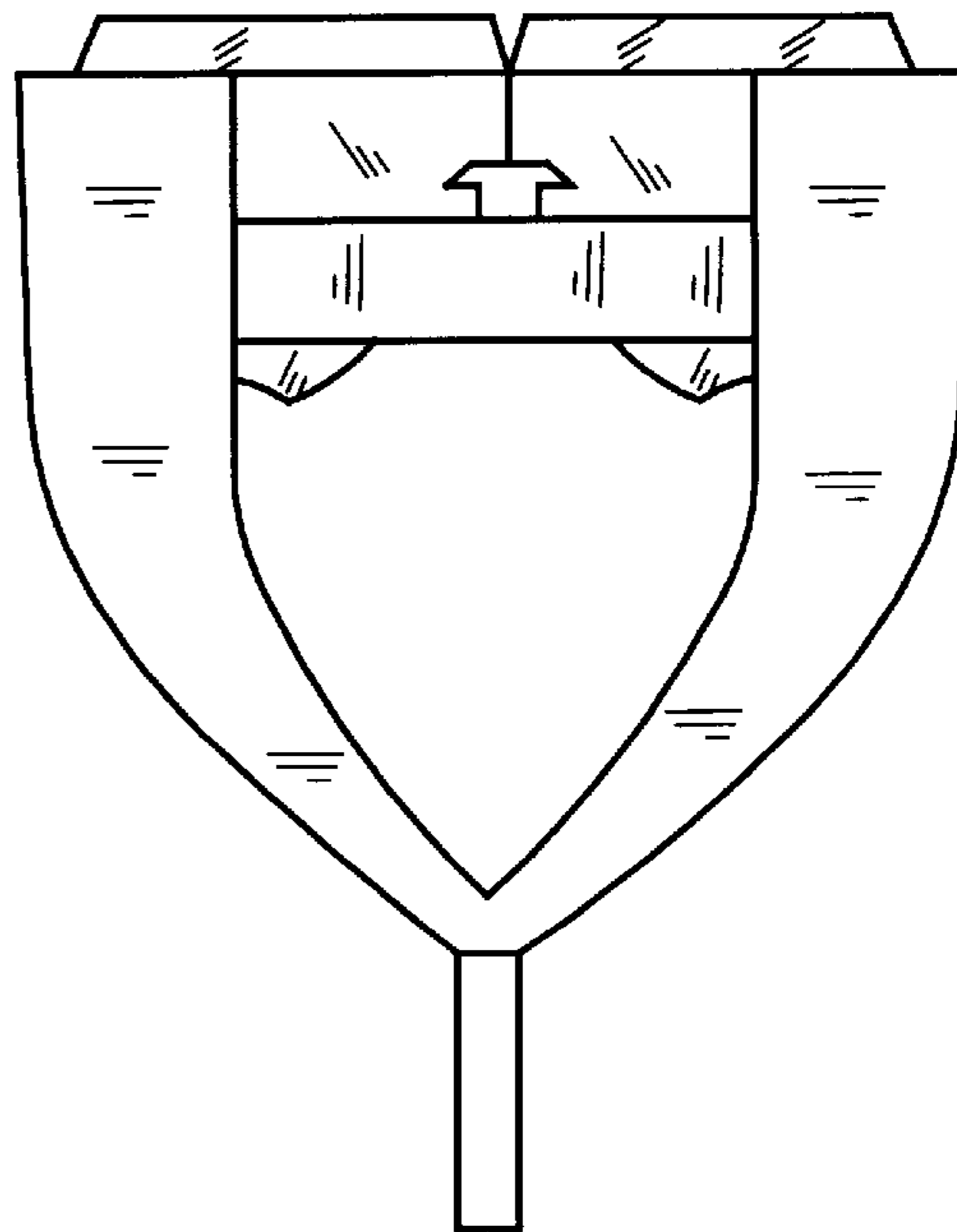


FIG. 3

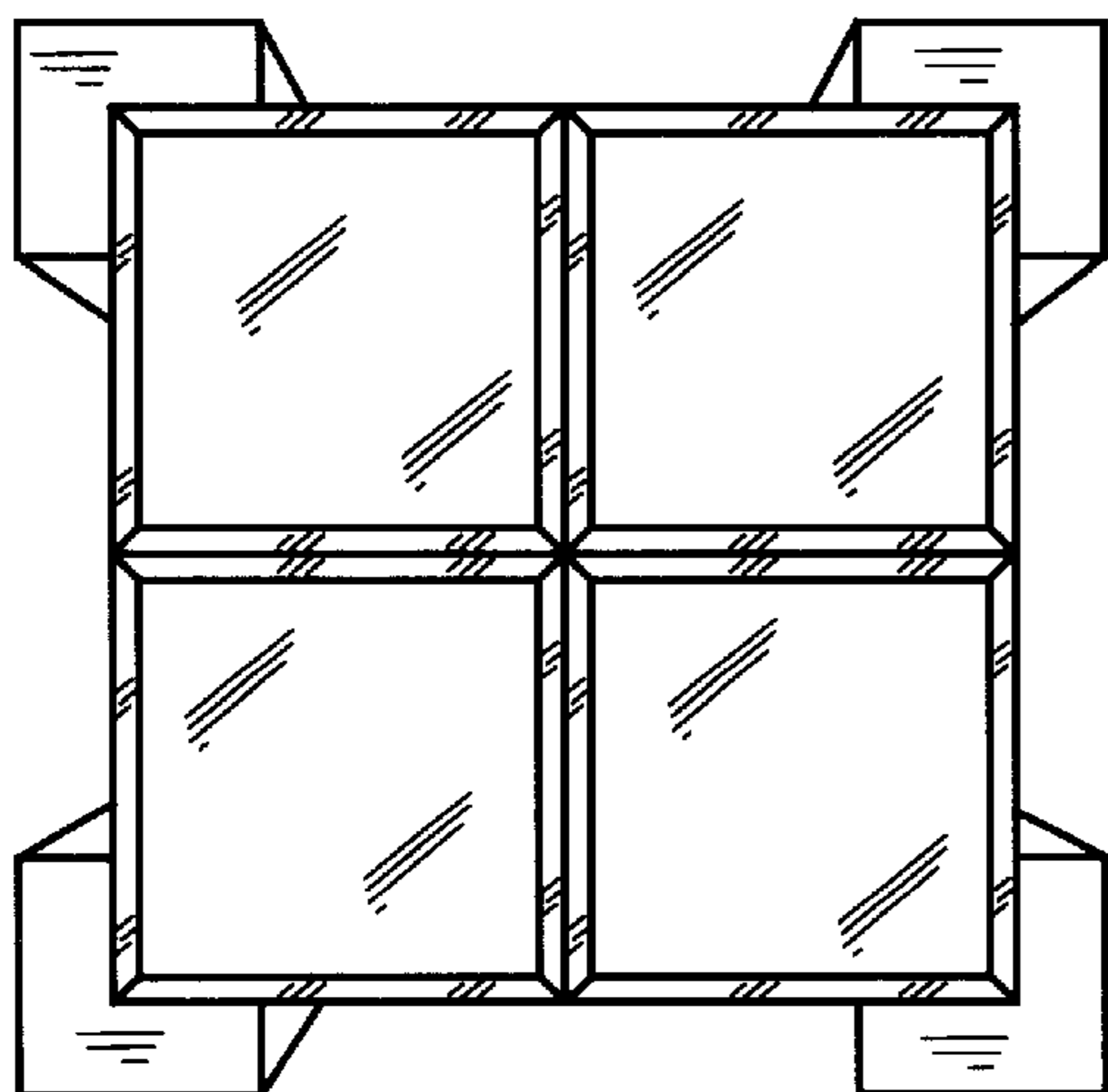


FIG. 4

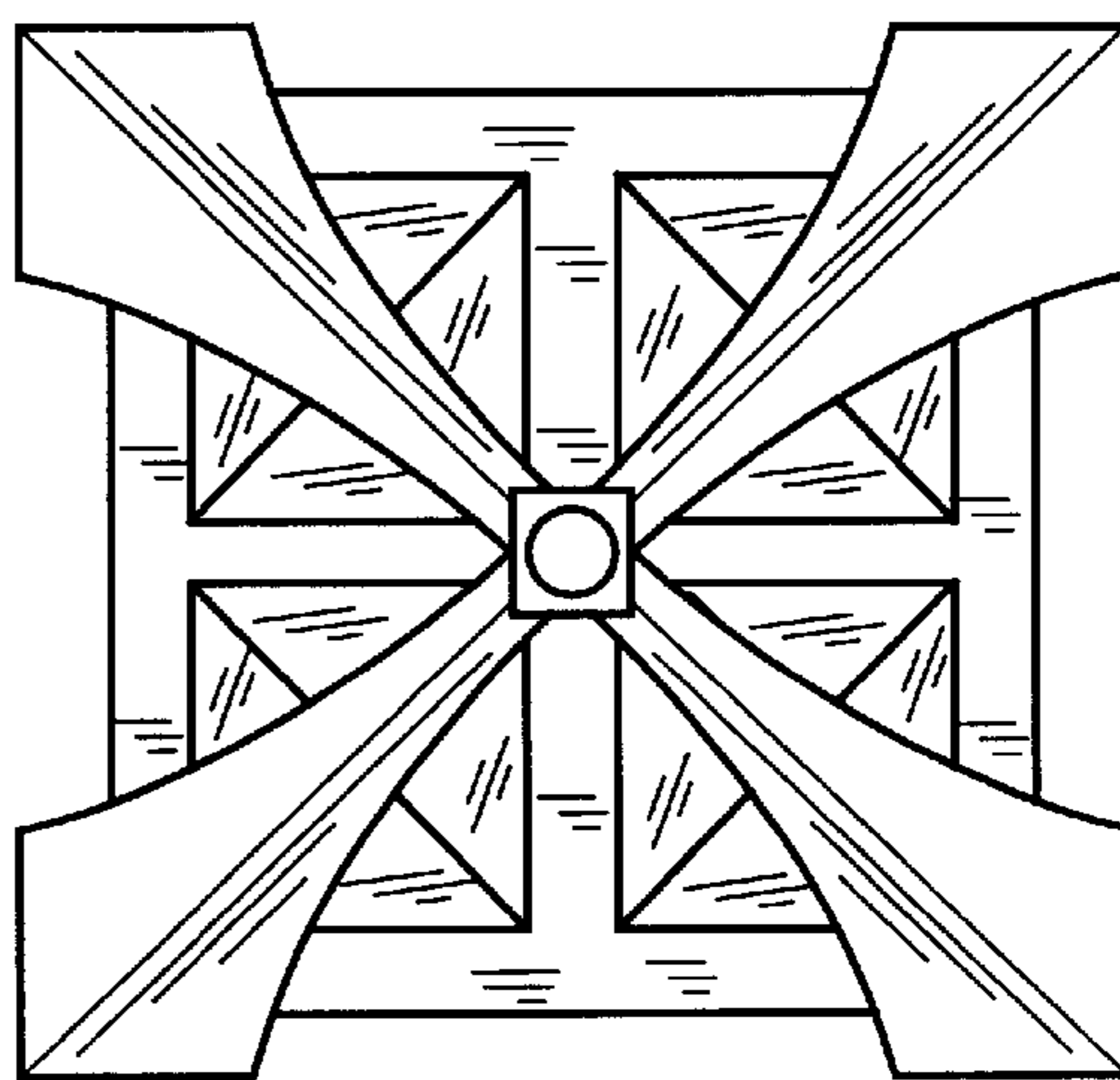


FIG. 5

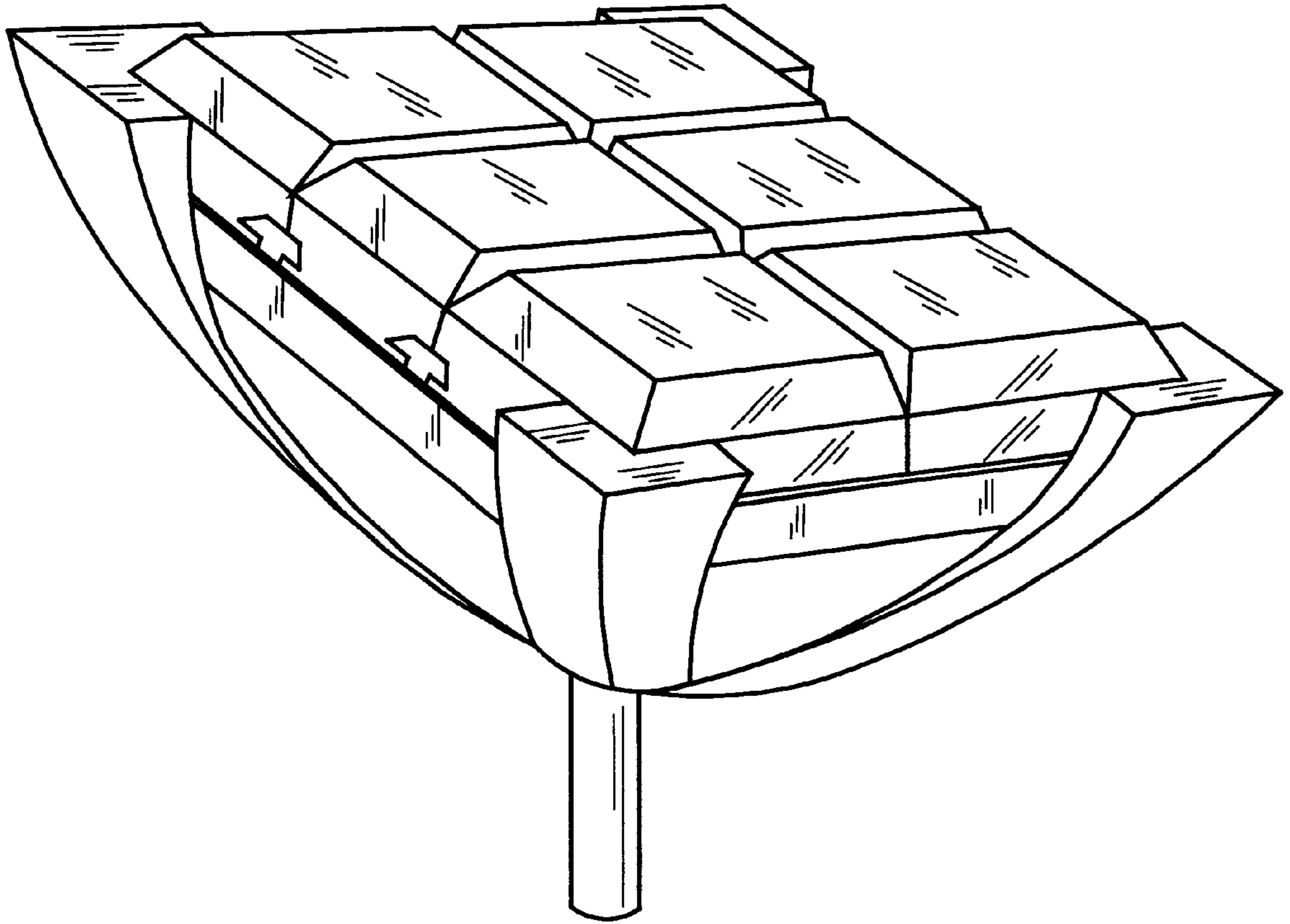


FIG. 6

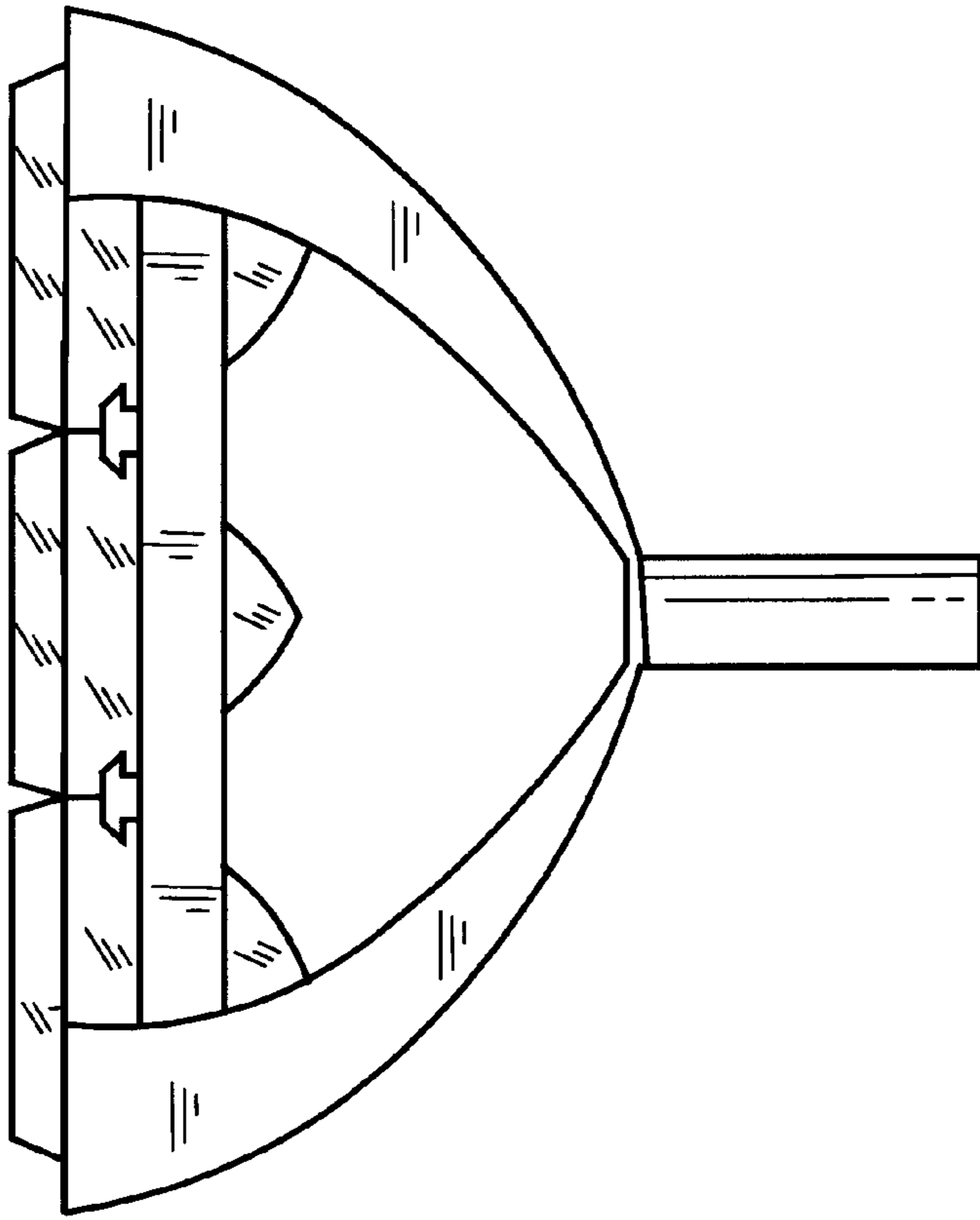


FIG. 7

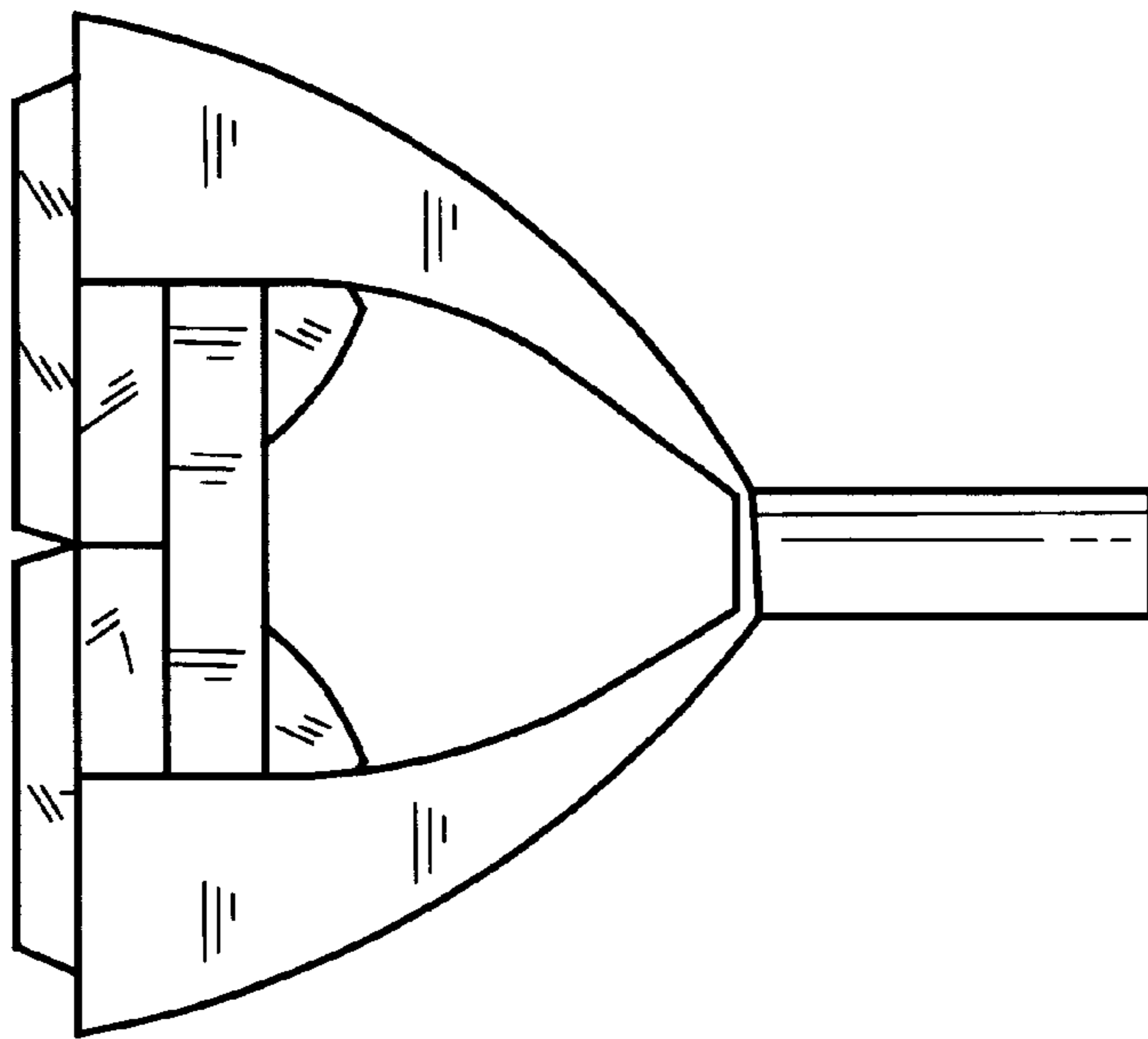


FIG. 8

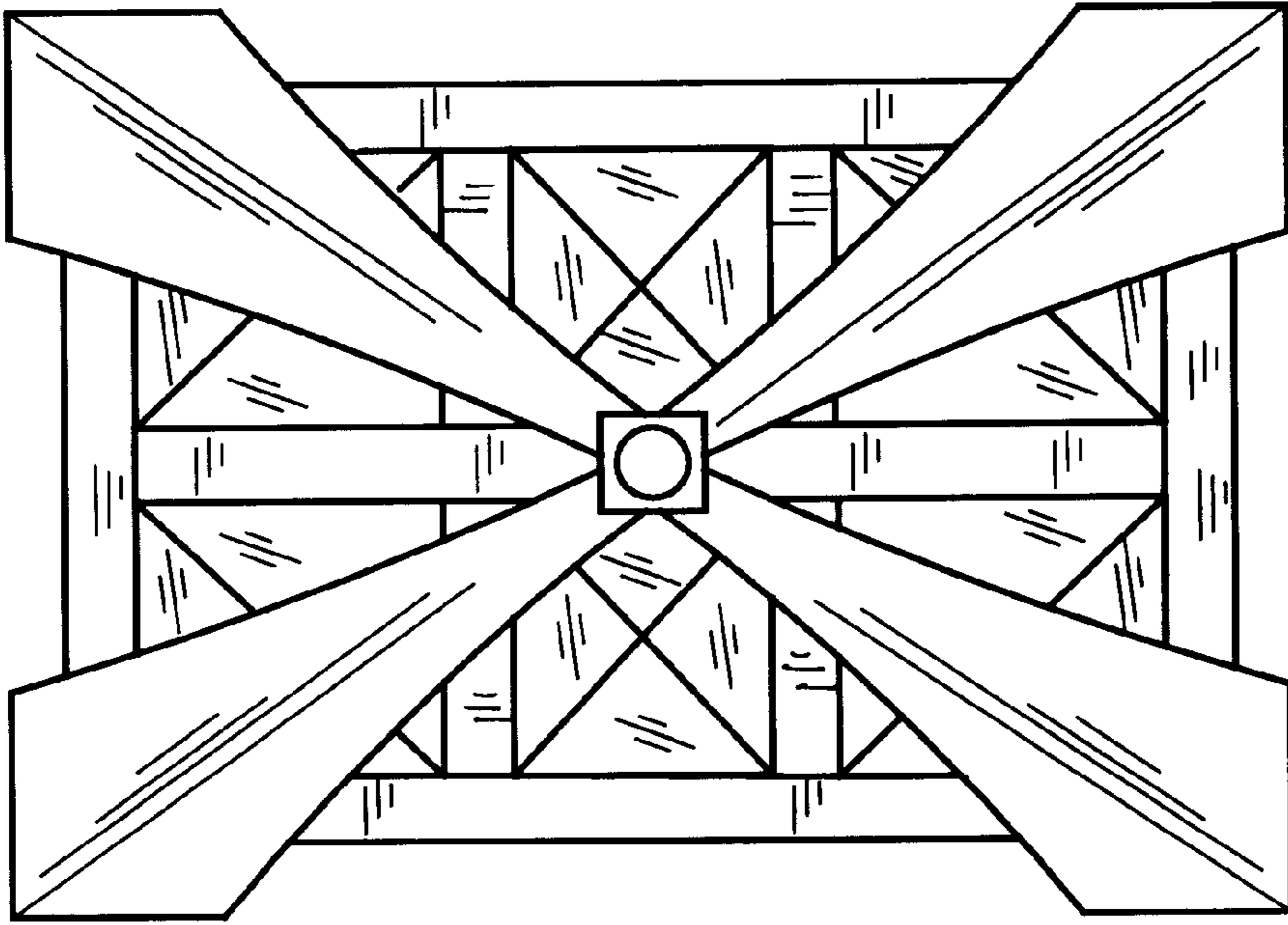


FIG. 10

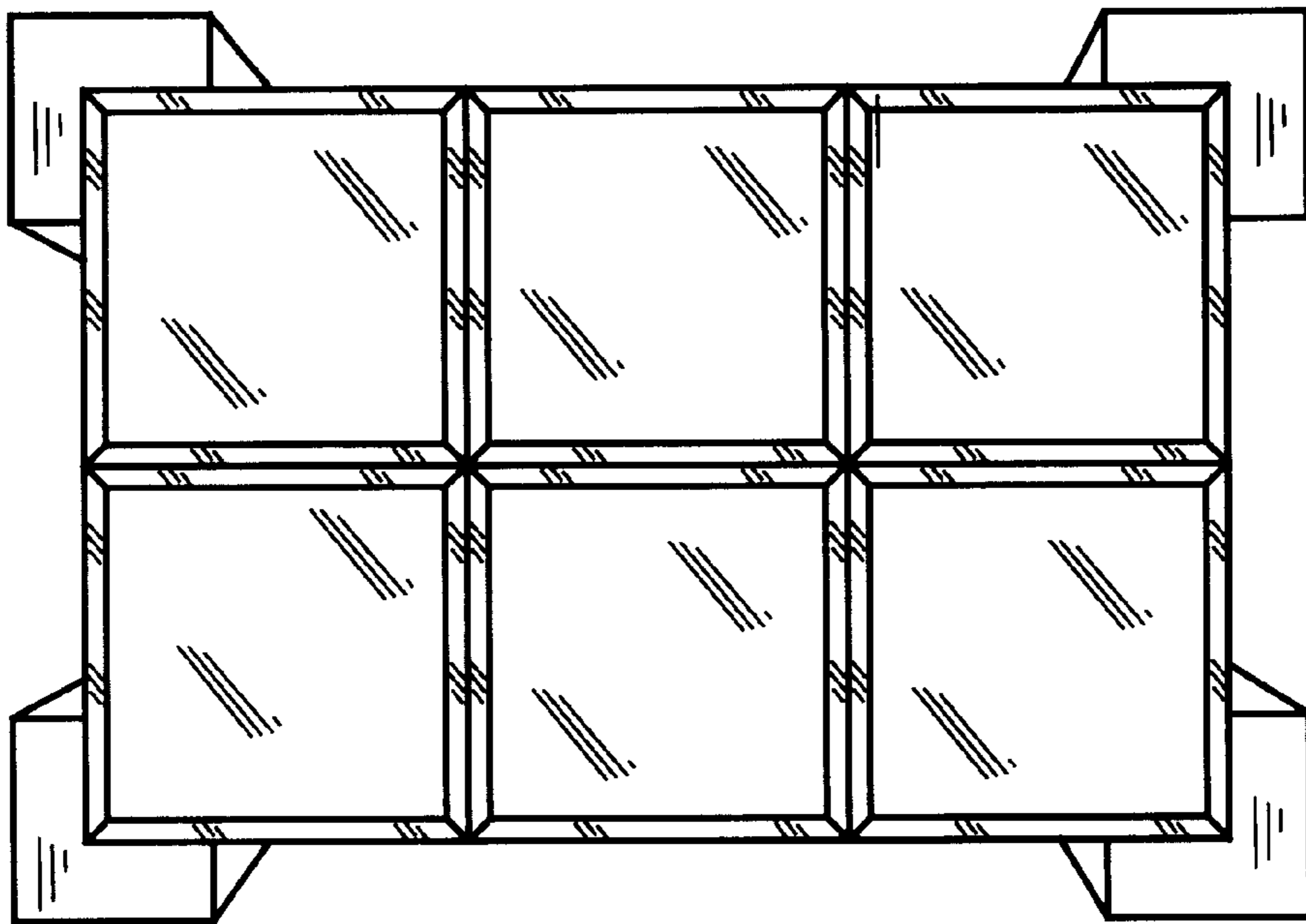


FIG. 9