



US00D431201S

**United States Patent** [19]  
**Robinson et al.**

[11] **Patent Number: Des. 431,201**  
[45] **Date of Patent: \*\* Sep. 26, 2000**

[54] **PERSONAL WRIST ALARM**

[76] Inventors: **Jerry D Robinson; Lenora M Robinson**, both of 403 S. 1st St., Tonkawa, Okla. 74653

[\*\*] Term: **14 Years**

[21] Appl. No.: **29/119,188**

[22] Filed: **Feb. 25, 2000**

[51] **LOC (7) Cl.** ..... **10-05**

[52] **U.S. Cl.** ..... **D10/106**

[58] **Field of Search** ..... D10/104, 106, D10/116, 121, 30-39; 340/540, 545, 571, 572, 573, 693

[56] **References Cited**

**U.S. PATENT DOCUMENTS**

- D. 359,700 6/1995 Abrams ..... D10/106
- D. 389,077 1/1998 Miranda, Jr. .... D10/106
- D. 390,487 2/1998 Thun ..... D10/106

D. 394,819 6/1998 Maser et al. .... D10/106

*Primary Examiner*—Marcus A. Jackson

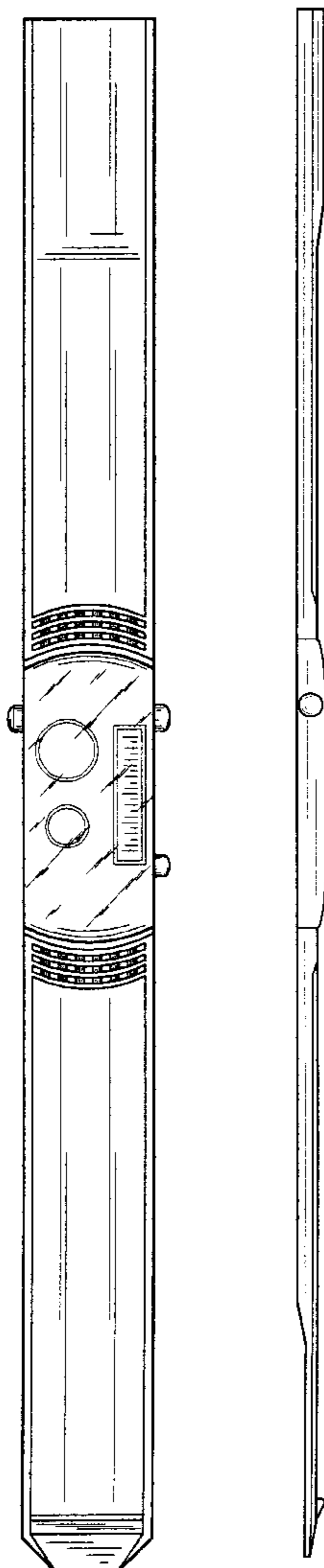
[57] **CLAIM**

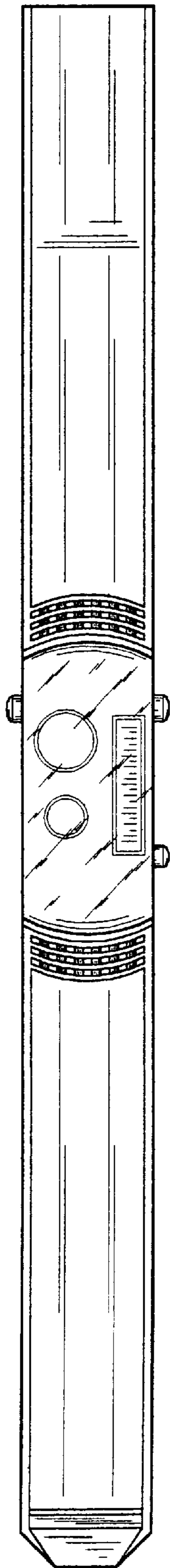
The ornamental design for a personal wrist alarm, as shown and described.

**DESCRIPTION**

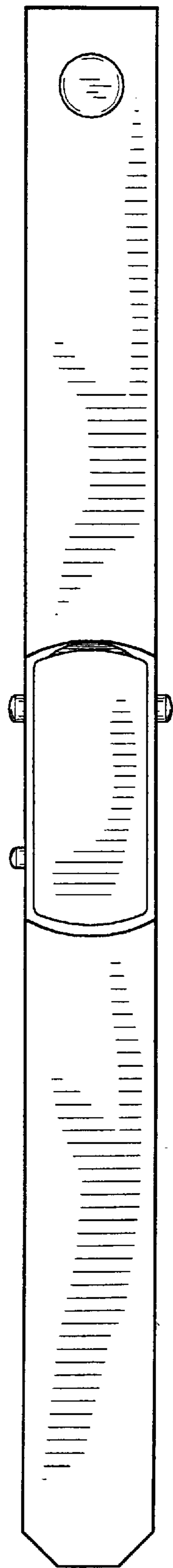
FIG. 1 is a front elevational view of the personal wrist alarm of the present invention;  
 FIG. 2 is a rear elevational view of the personal wrist alarm of FIG. 1;  
 FIG. 3 is a left side elevational view of the personal wrist alarm of FIG. 1;  
 FIG. 4 is a right side elevational view of the personal wrist alarm of FIG. 1;  
 FIG. 5 is a top plan view of the personal wrist alarm of FIG. 1; and,  
 FIG. 6 is a bottom plan view of the personal wrist alarm of FIG. 1.

**1 Claim, 2 Drawing Sheets**





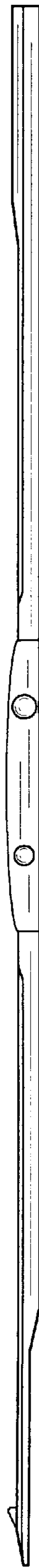
*Fig. 1*



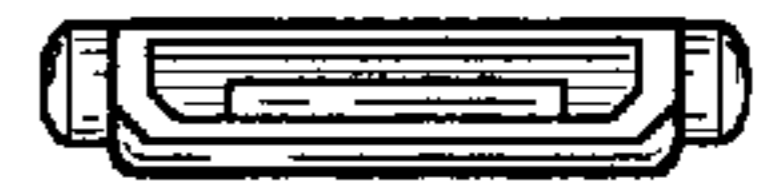
*Fig. 2*



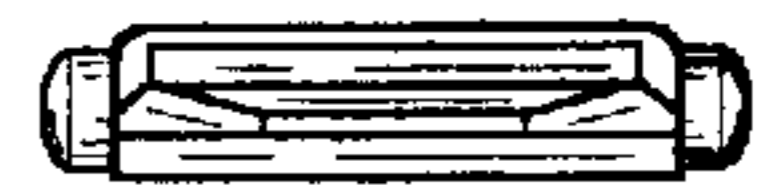
*Fig. 3*



*Fig. 4*



*Fig. 5*



*Fig. 6*