



US00D431200S

United States Patent [19]
Sanoner

[11] **Patent Number: Des. 431,200**

[45] **Date of Patent: ** Sep. 26, 2000**

[54] **FORK**

[75] **Inventor: Hughes Marie Sanoner**, Discovery Bay, The Hong Kong Special Administrative Region of the People's Republic of China

[73] **Assignee: Solar Wide Industrial, Ltd.**, New Territories, The Hong Kong Special Administrative Region of the People's Republic of China

[**] **Term: 14 Years**

[21] **Appl. No.: 29/111,770**

[22] **Filed: Oct. 5, 1999**

[51] **LOC (7) Cl. 10-04**

[52] **U.S. Cl. D10/57**

[58] **Field of Search D10/57; 374/141, 374/208**

[56] **References Cited**

U.S. PATENT DOCUMENTS

D. 416,209 11/1999 Norcross et al. D10/57
D. 422,224 11/1999 Yu D10/57

Primary Examiner—Antoine Duval Davis
Attorney, Agent, or Firm—Leydig, Voit & Mayer, Ltd.

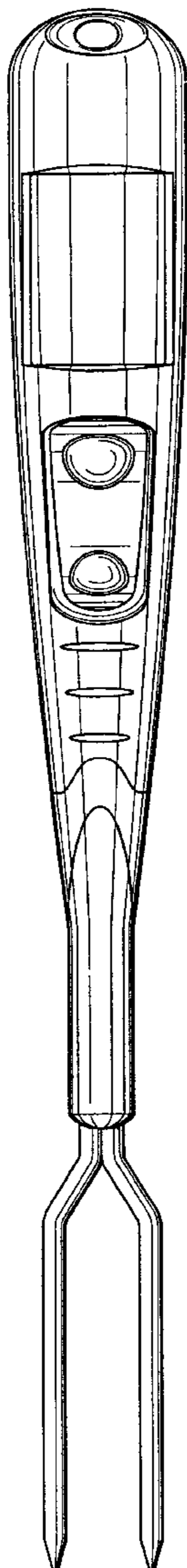
[57] **CLAIM**

The ornamental design for a fork, as shown and described.

DESCRIPTION

FIG. 1 is a front elevational view of a fork showing my new design;
FIG. 2 is a rear elevational view thereof;
FIG. 3 is a right side elevational view thereof;
FIG. 4 is a left side elevational view thereof;
FIG. 5 is a top end elevational view thereof; and,
FIG. 6 is a bottom end elevational view thereof.

1 Claim, 2 Drawing Sheets



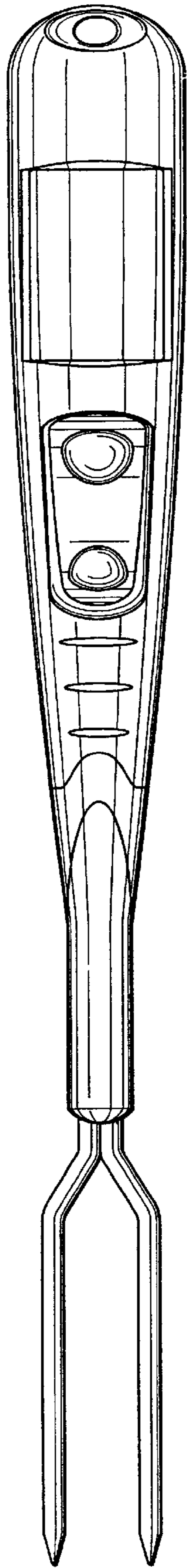


FIG. 1

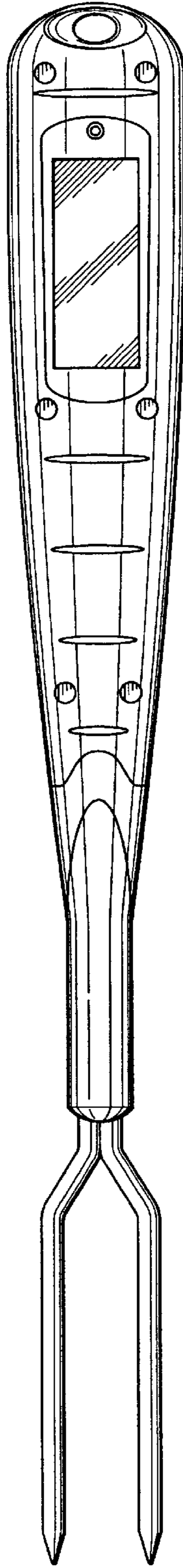


FIG. 2

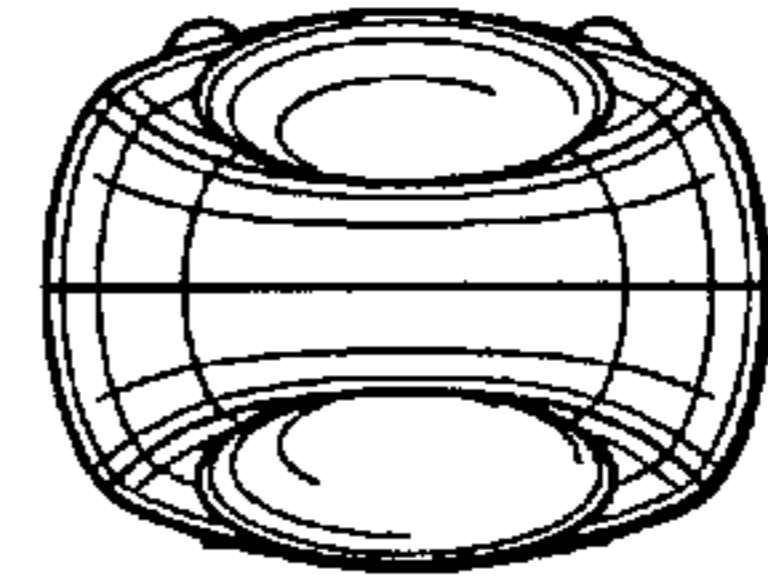


FIG. 5

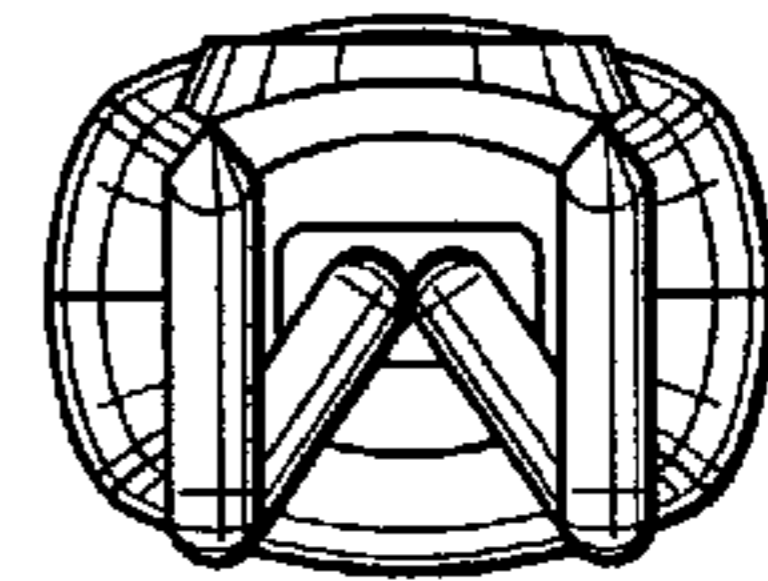


FIG. 6

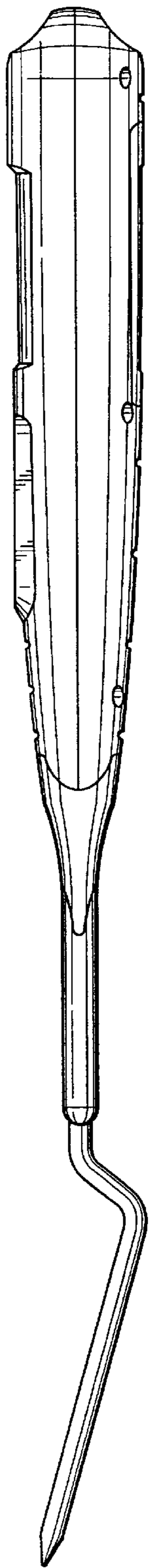


FIG. 3

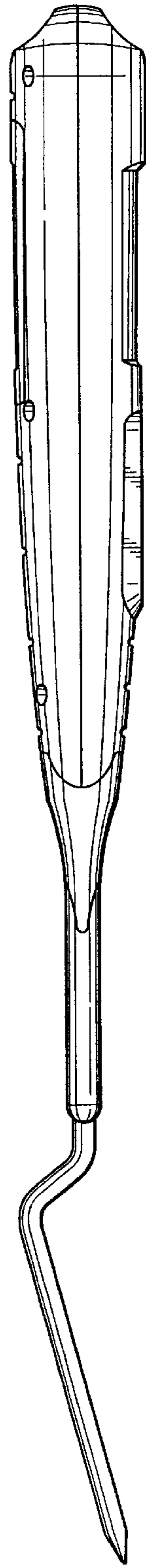


FIG. 4