



US00D431195S

United States Patent [19] Clivio

[11] **Patent Number: Des. 431,195**

[45] **Date of Patent: ** Sep. 26, 2000**

[54] **WATER TIMER**

[75] **Inventor: Franco Clivio, Erlenbach, Switzerland**

[73] **Assignee: Gardena Kress + Kastner GmbH, Germany**

[**] **Term: 14 Years**

[21] **Appl. No.: 29/100,169**

[22] **Filed: Feb. 5, 1999**

[30] **Foreign Application Priority Data**

Aug. 8, 1998 [DE] Germany 498 08 205

[51] **LOC (7) Cl. 10-03**

[52] **U.S. Cl. D10/40**

[58] **Field of Search D10/1-40, 96, D10/122-132; 368/97-100, 107-121, 276-277, 285, 316, 317; 239/67-70; 137/624.11-624.18**

[56] **References Cited**

U.S. PATENT DOCUMENTS

D. 127,689 6/1941 Soper D10/40
D. 365,771 1/1996 Clivio D10/96

D. 377,316 1/1997 Roman et al. D10/40
D. 386,985 12/1997 Cameron D10/40
4,130,135 12/1978 Moore 137/624.11
5,826,619 10/1998 Roman 137/624.11

OTHER PUBLICATIONS

Catalog Gardena '96, published Sep. 1995.

Primary Examiner—Nelson C. Holtje
Attorney, Agent, or Firm—Quarles & Brady LLP

[57] **CLAIM**

The ornamental design for a water timer, as shown and described.

DESCRIPTION

FIG. 1 is a side perspective view of a water timer showing my new design;
FIG. 2 is a top plan view thereof;
FIG. 3 is a front elevation view thereof;
FIG. 4 is a side elevation view thereof;
FIG. 5 is an opposite side elevation view thereof;
FIG. 6 is a rear elevation view thereof; and,
FIG. 7 is a bottom plan view thereof.

1 Claim, 4 Drawing Sheets

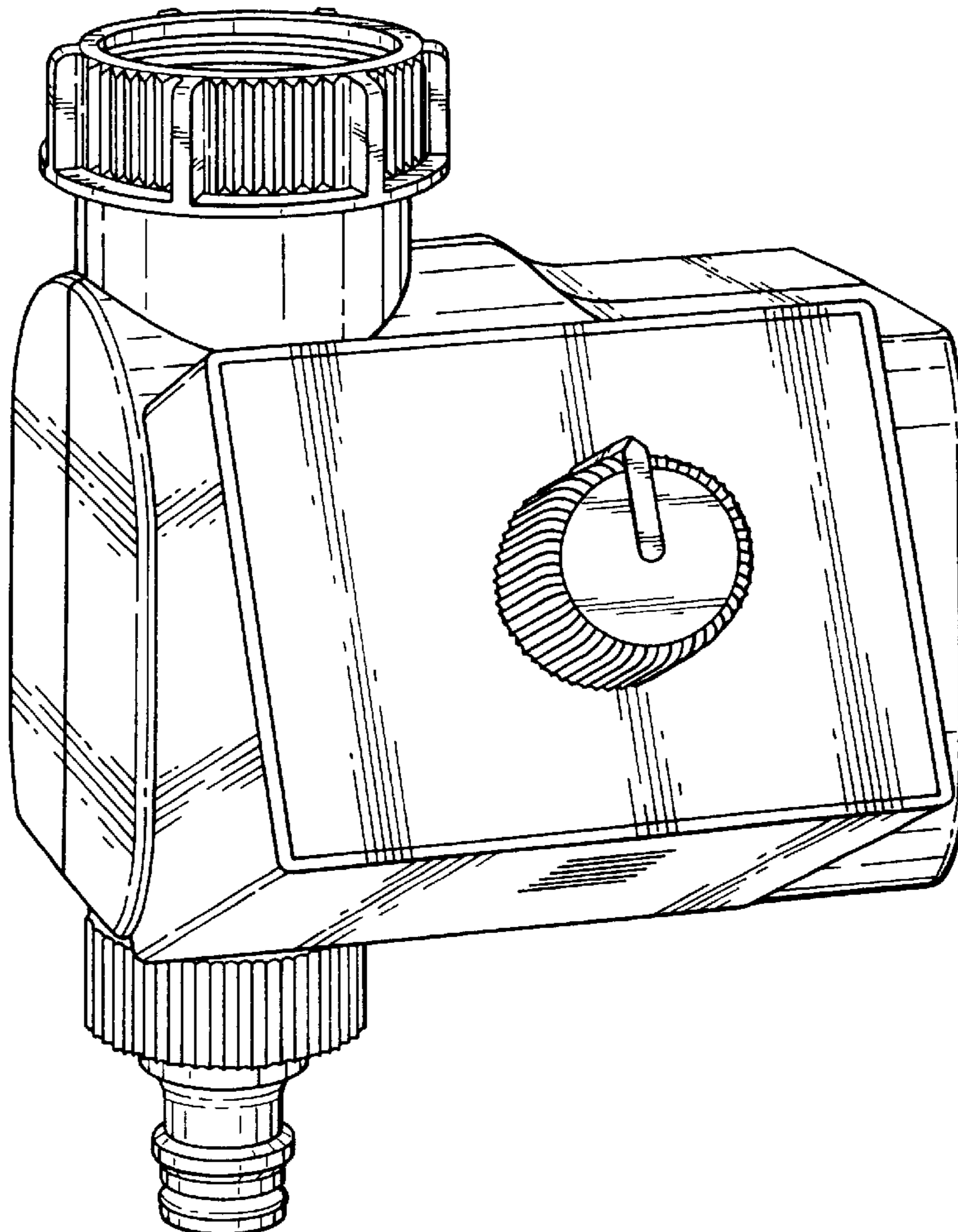
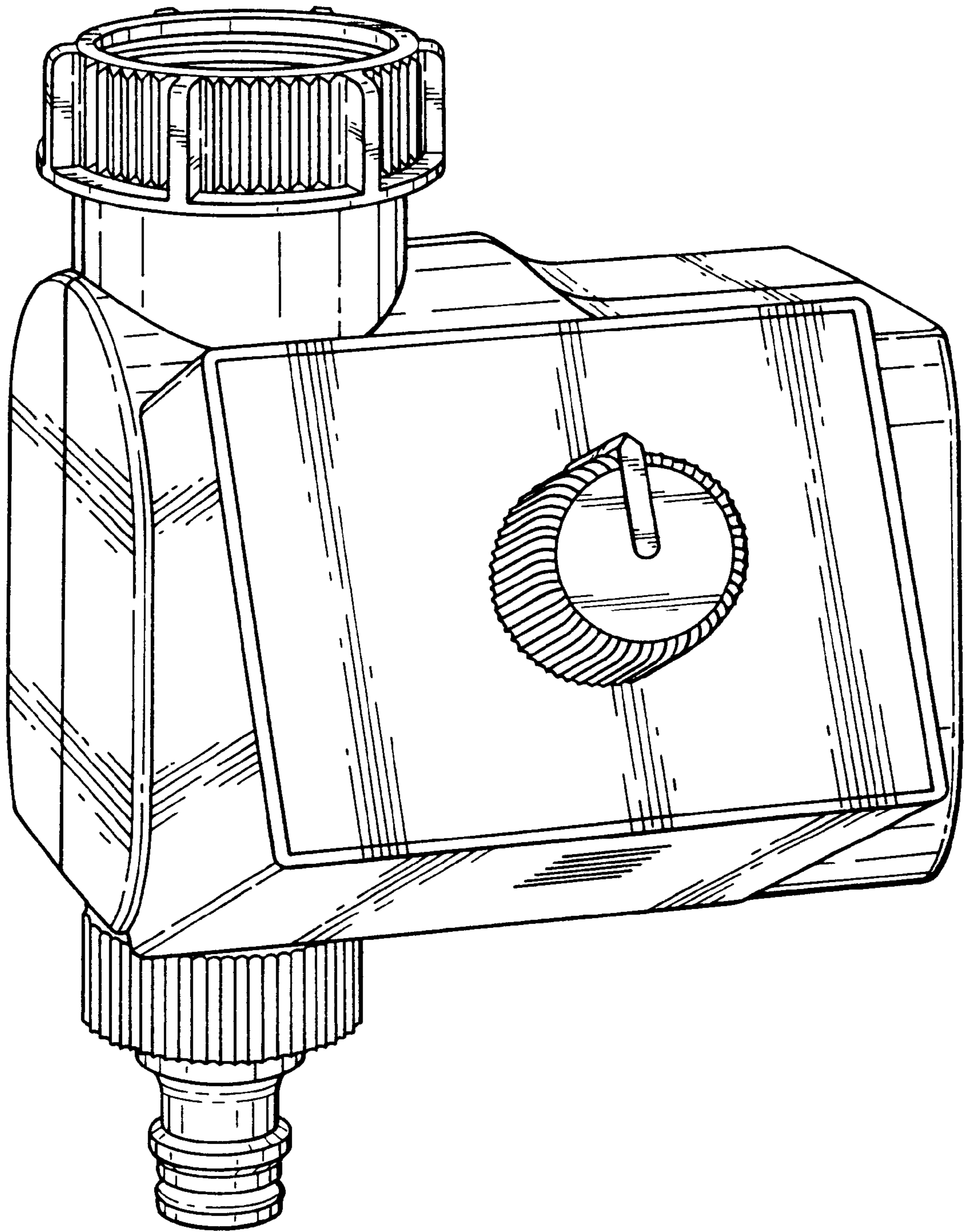


Fig. 1



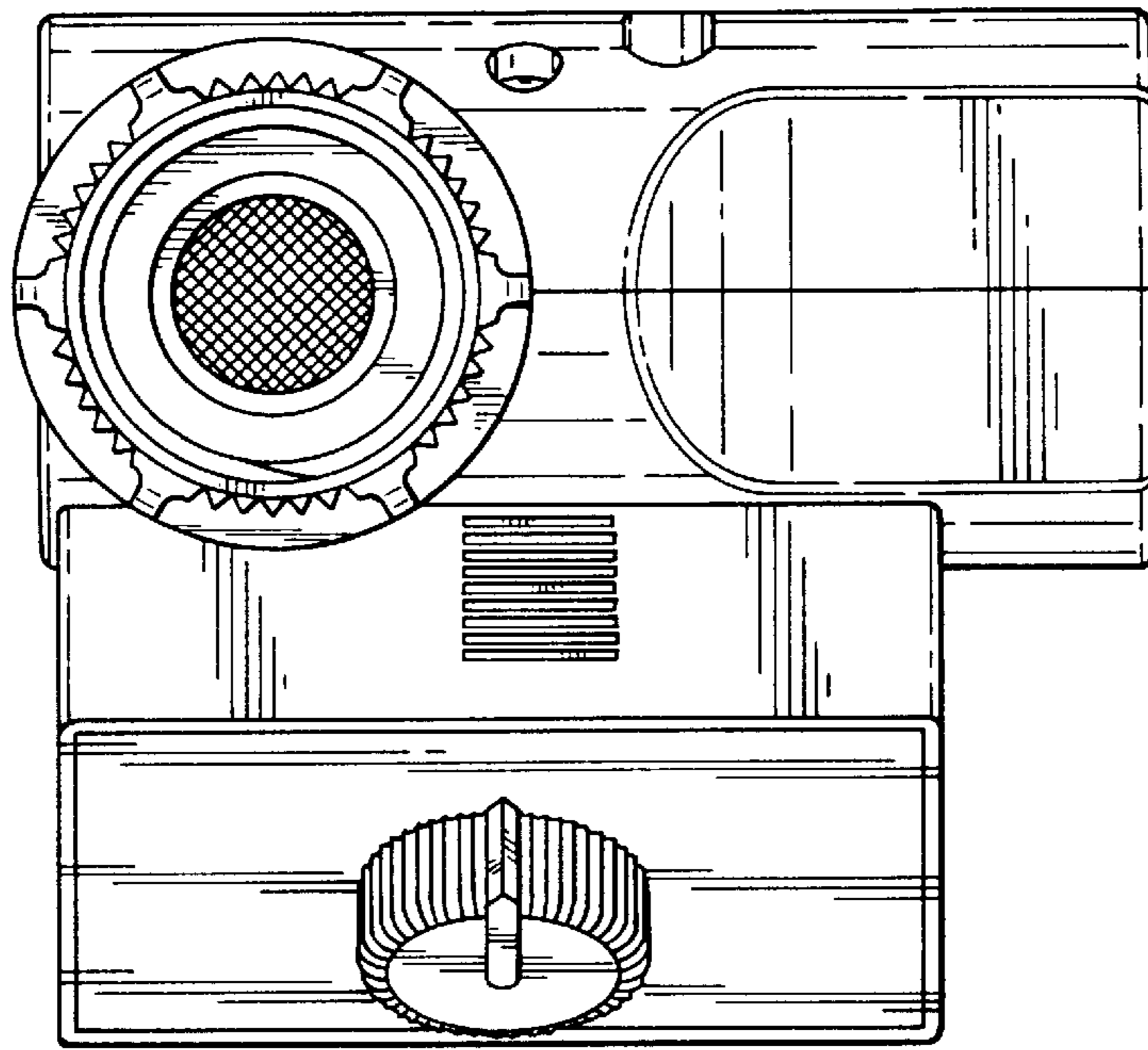


Fig. 2

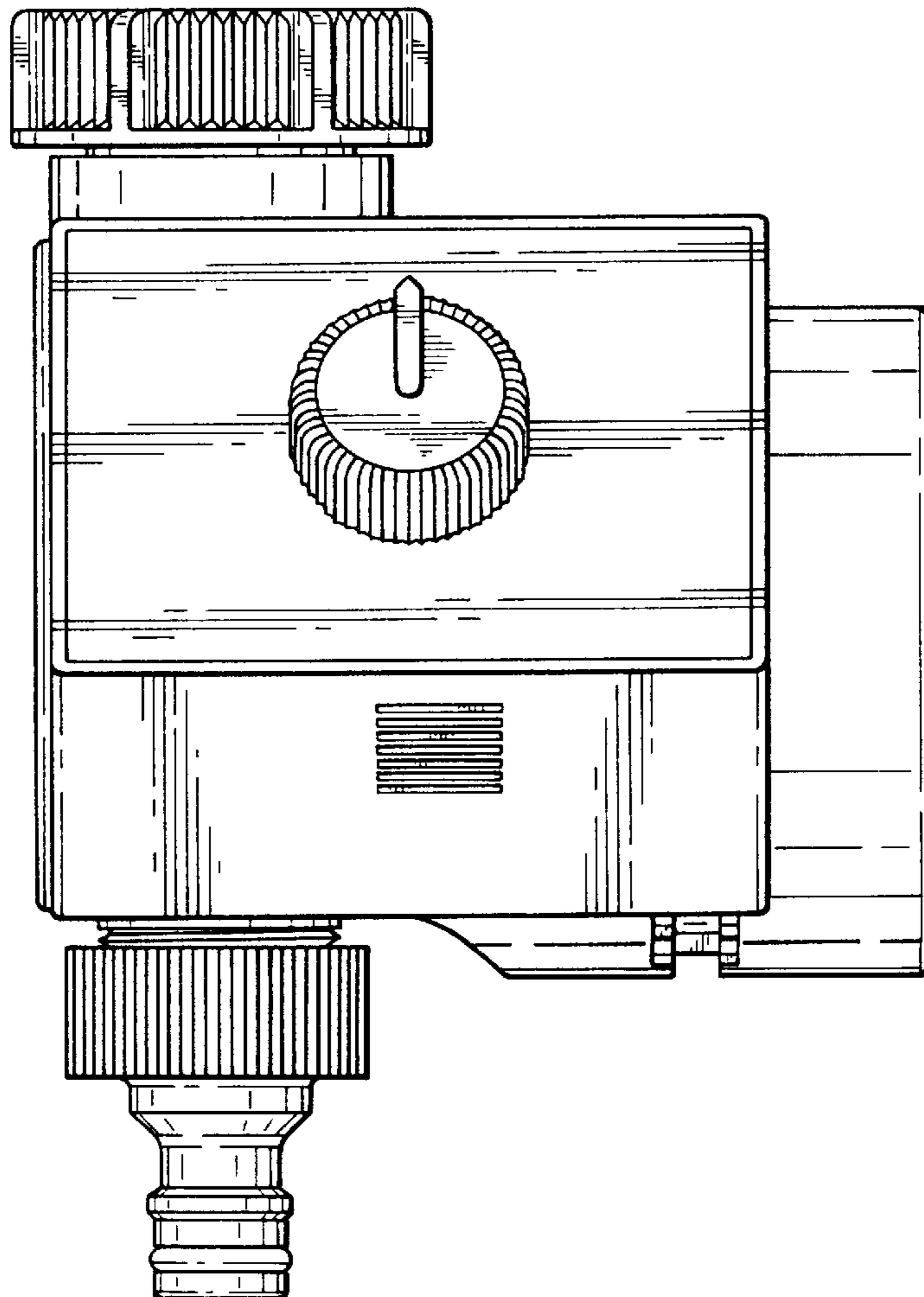


Fig. 3

Fig. 4

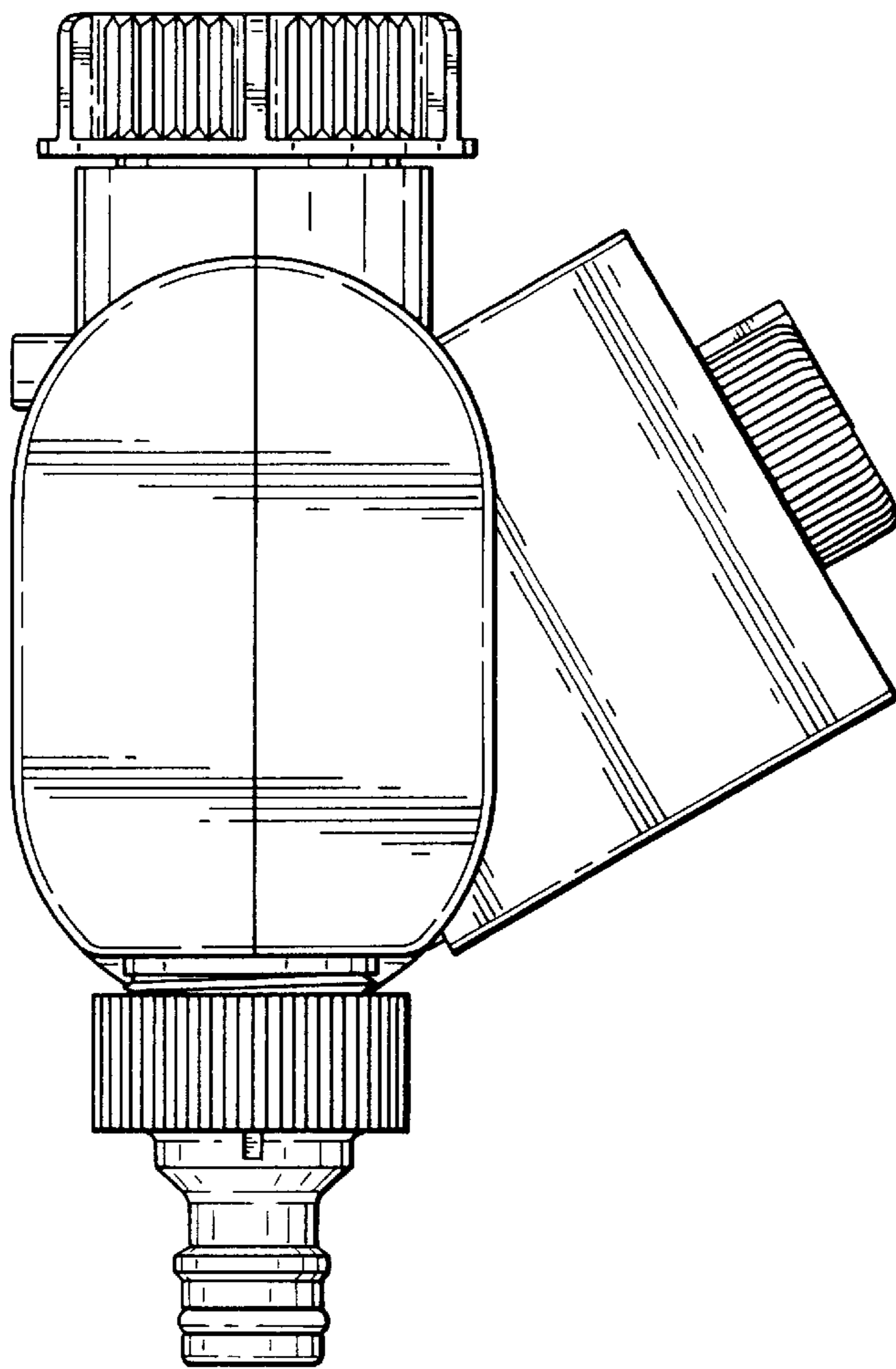
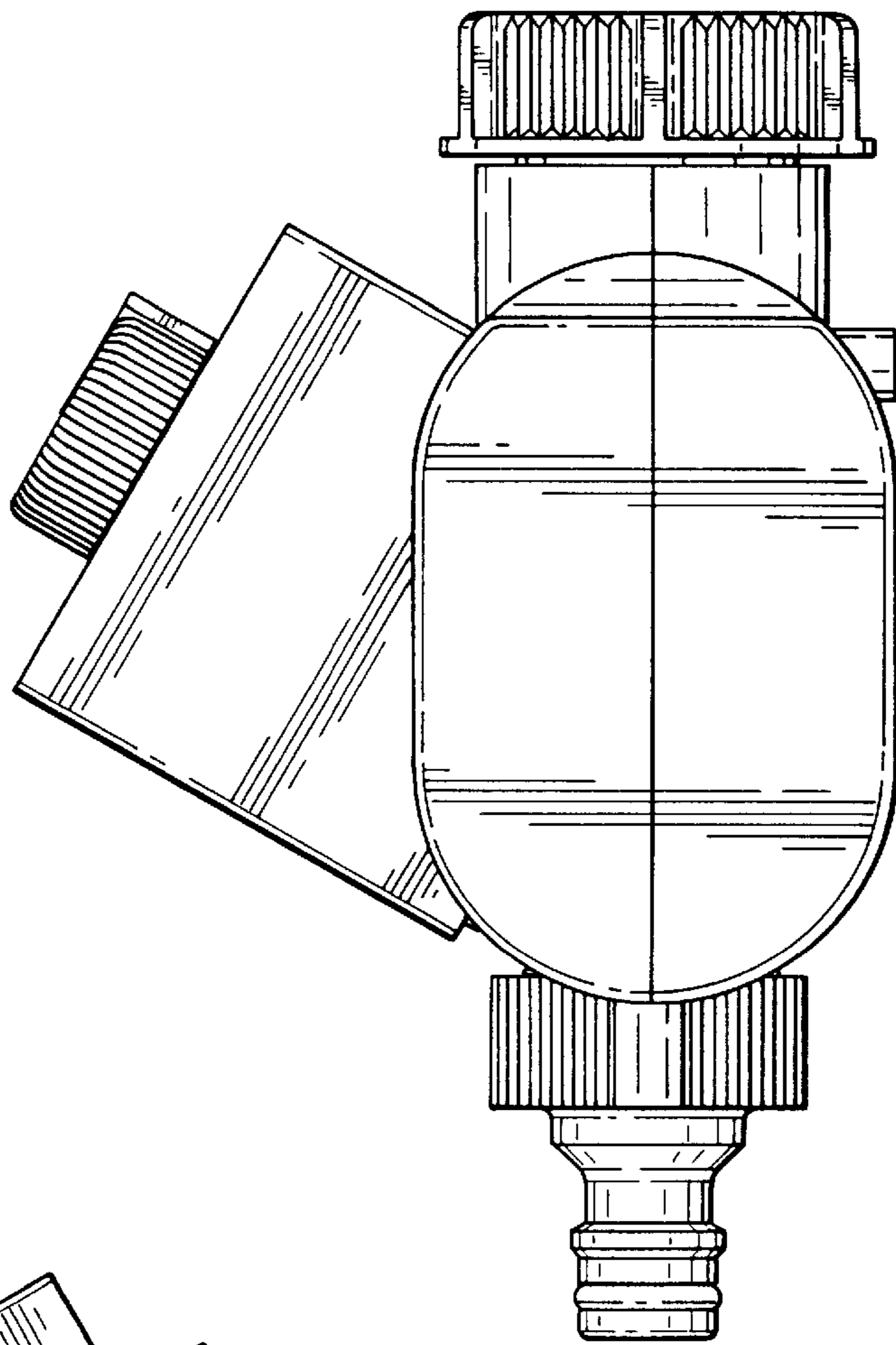


Fig. 5

Fig. 6

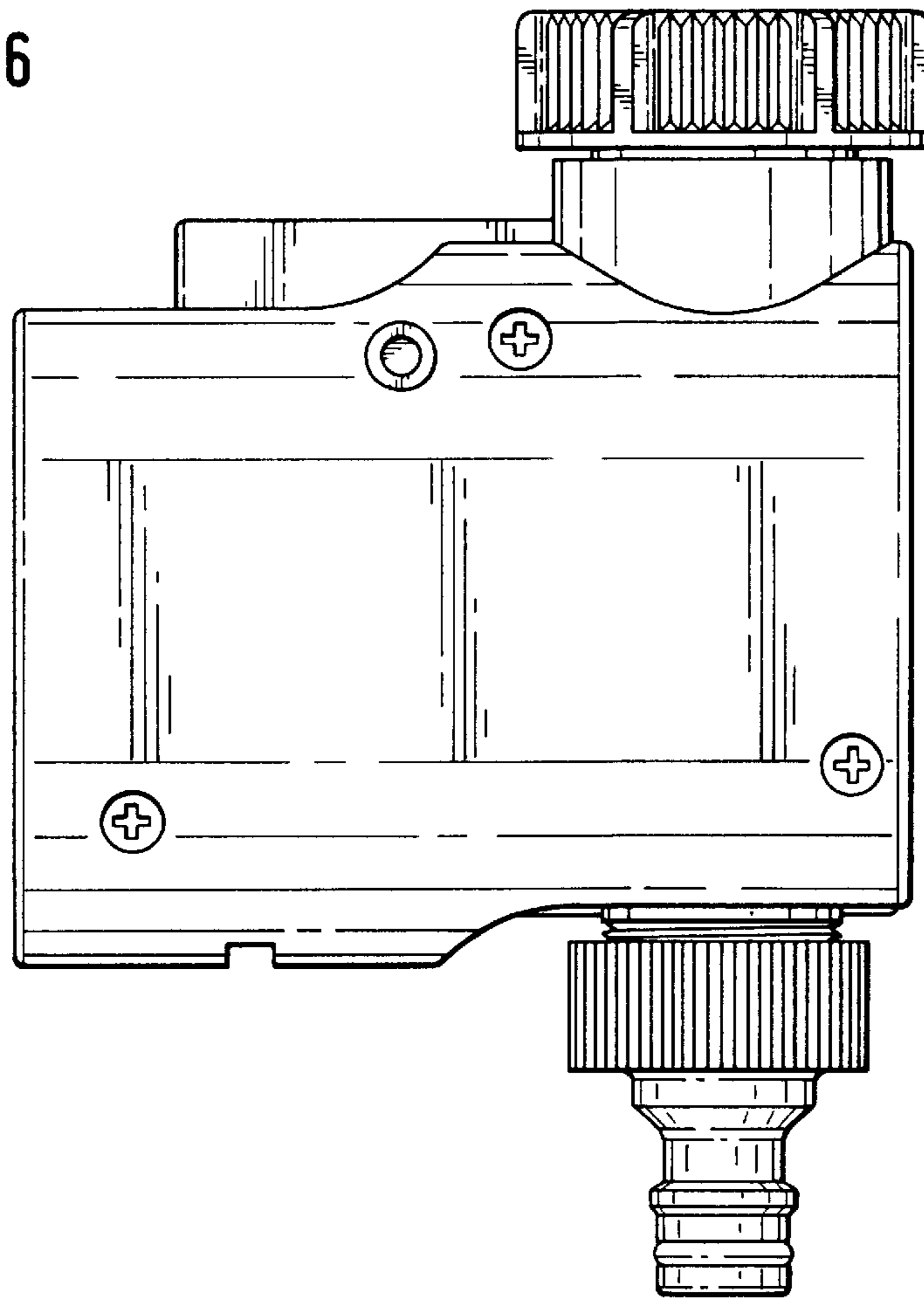


Fig. 7

