



US00D431192S

United States Patent [19]
Ogg et al.

[11] **Patent Number: Des. 431,192**
[45] **Date of Patent: ** Sep. 26, 2000**

[54] **JUG-STYLE DOME FOR A PLASTIC CONTAINER**
[75] Inventors: **Richard K. Ogg**, Littlestown; **Michael R. Mooney**, Wrightsville, both of Pa.
[73] Assignee: **Graham Packaging Company L.P.**, York, Pa.
[**] Term: **14 Years**

D. 393,209 4/1998 Steih et al. D9/542
3,066,819 12/1962 Cox 215/398
3,589,542 6/1971 Dillon 215/382
5,056,674 10/1991 Swartley .
5,758,790 6/1998 Ewing, Jr. 215/398
5,971,184 10/1999 Krishnakumar et al. 215/382
6,016,932 1/2000 Gaydosh et al. 215/382

Primary Examiner—Ted Shooman
Assistant Examiner—Carol Rademaker
Attorney, Agent, or Firm—Howson and Howson

[21] Appl. No.: **29/105,662**
[22] Filed: **May 28, 1999**

[57] **CLAIM**

The ornamental design for the jug-style dome for a plastic container, as shown and described.

[51] **LOC (7) Cl.** **09-03**
[52] **U.S. Cl.** **D9/531; D9/556**
[58] **Field of Search** D9/300, 516–517, D9/520, 522–524, 526–528, 530–531, 533, 536–540, 542, 548–549, 552, 556, 558–559, 564, 569, 572, 574–575; 215/371, 375, 382–383, 396, 398; 220/375, 661, 671–672, 675

DESCRIPTION

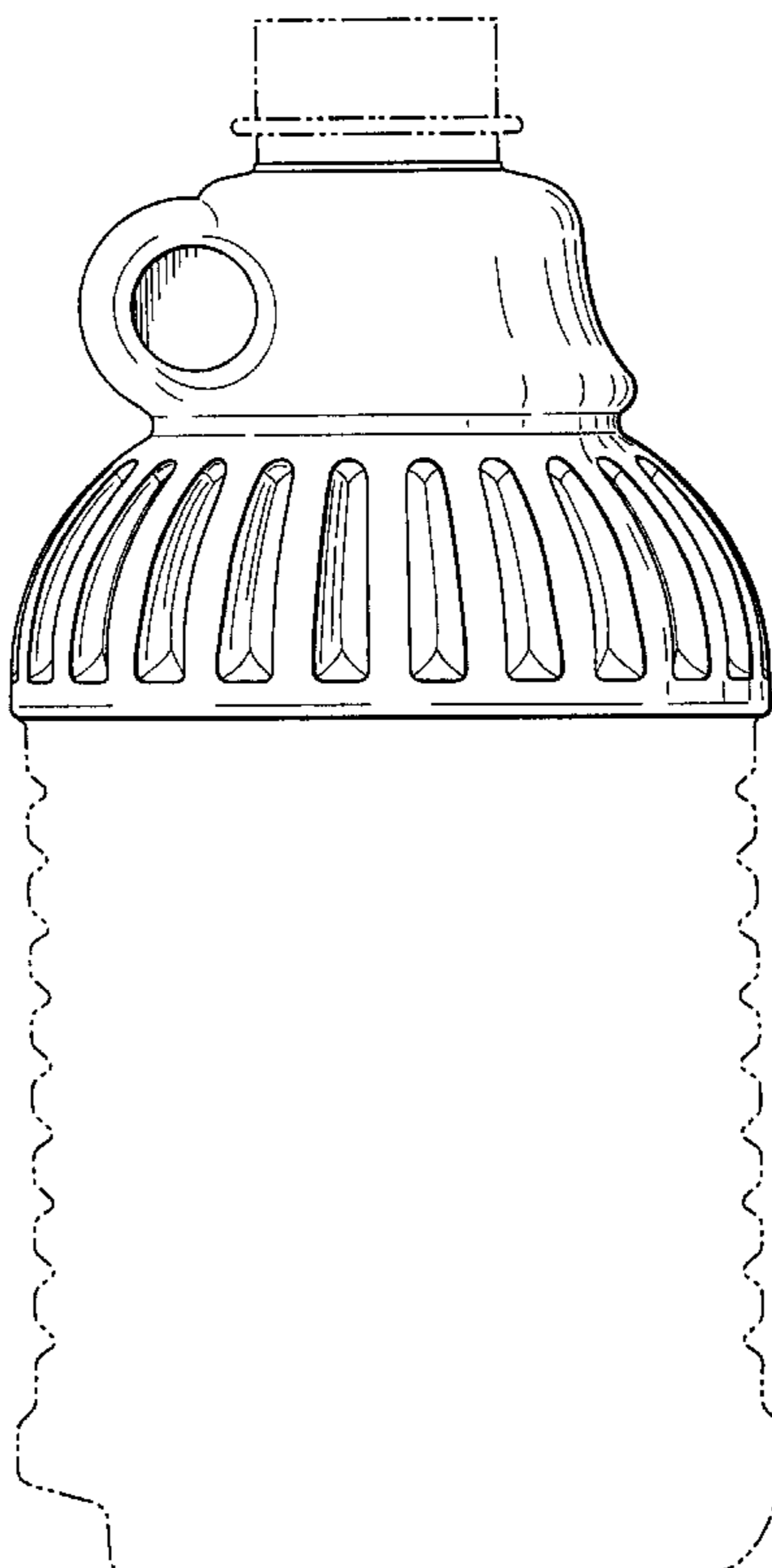
FIG. 1 is a left side elevational view of the jug-style dome of our new design, the right side elevational view being a mirror image thereof;
FIG. 2 is a front elevational view of the jug-style dome illustrated in FIG. 1;
FIG. 3 is a rear elevational view of the jug-style dome illustrated in FIG. 1;
FIG. 4 is a top plan of the jug-style dome illustrated in FIG. 1; and,
FIG. 5 is a bottom plan view of the jug-style dome illustrated in FIG. 1.

The broken line showing of the upstanding finish portion of the jug-style dome in FIGS. 1–3 and 6–8, and the body portion of the plastic container in FIG. 1 is for illustrative purposes only and forms no part of the claimed design.

[56] **References Cited**
U.S. PATENT DOCUMENTS

D. 104,179 4/1937 Berk D9/536
D. 104,657 5/1937 Fuerst et al. D9/536
D. 162,559 3/1951 Meshberg D9/556
D. 212,590 11/1968 Kassiu D9/542
D. 295,499 5/1988 LeFevre D9/556
D. 331,881 12/1992 Garver et al. .
D. 340,190 10/1993 Skidmore et al. .
D. 382,485 8/1997 Krishnakumar et al. D9/569
D. 391,168 2/1998 Ogg .

1 Claim, 3 Drawing Sheets



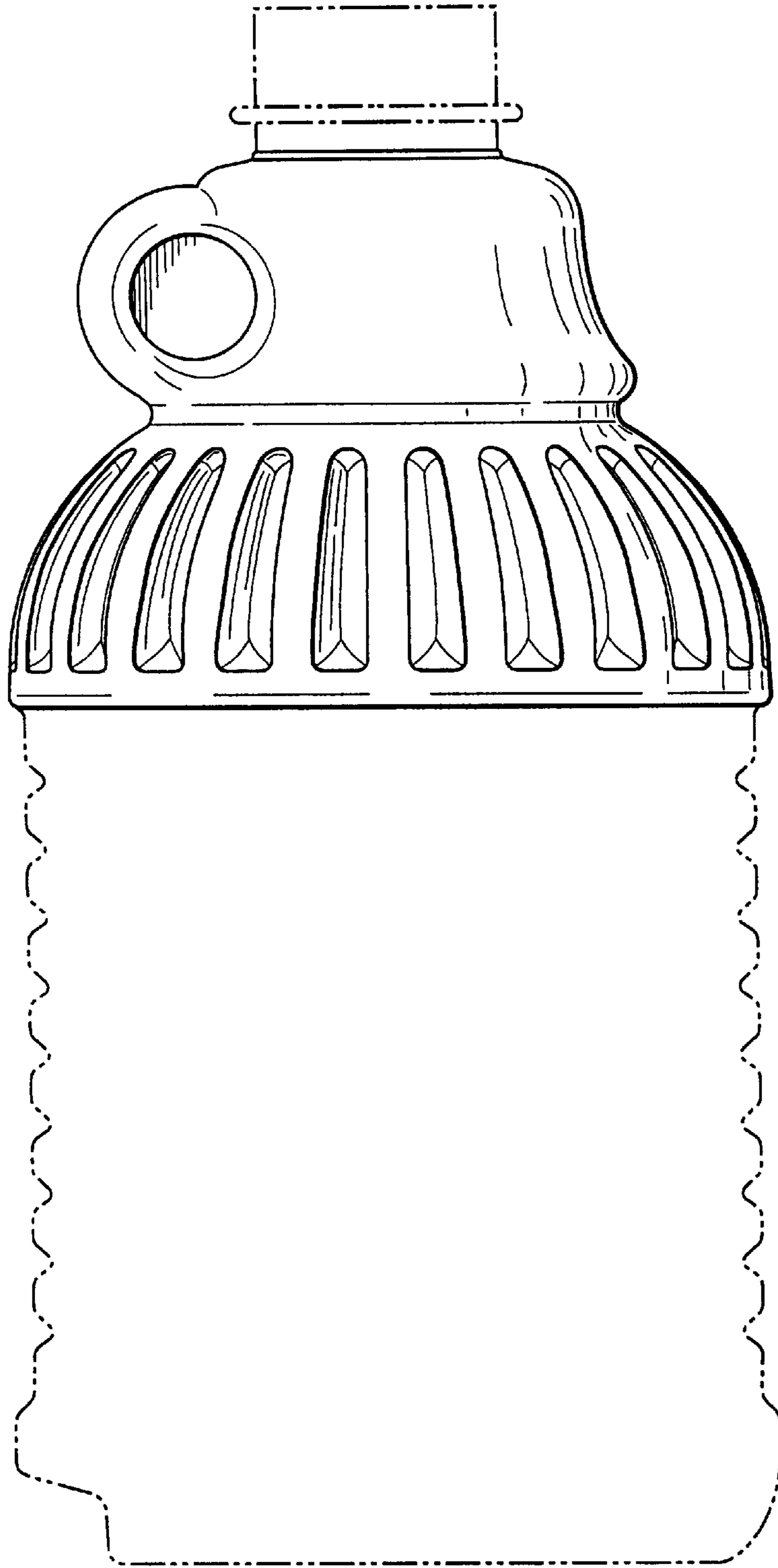


FIG. 1

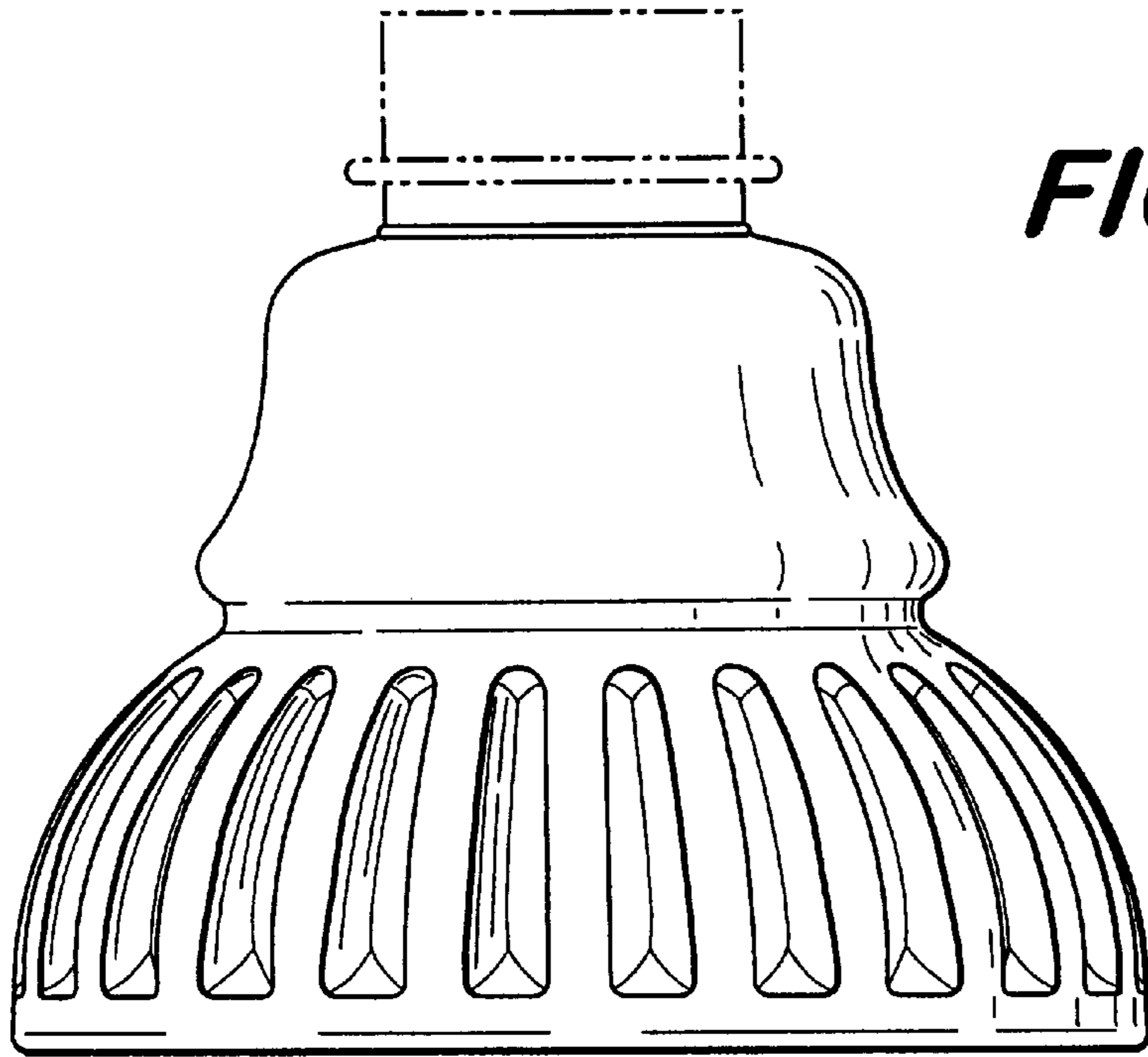


FIG. 2

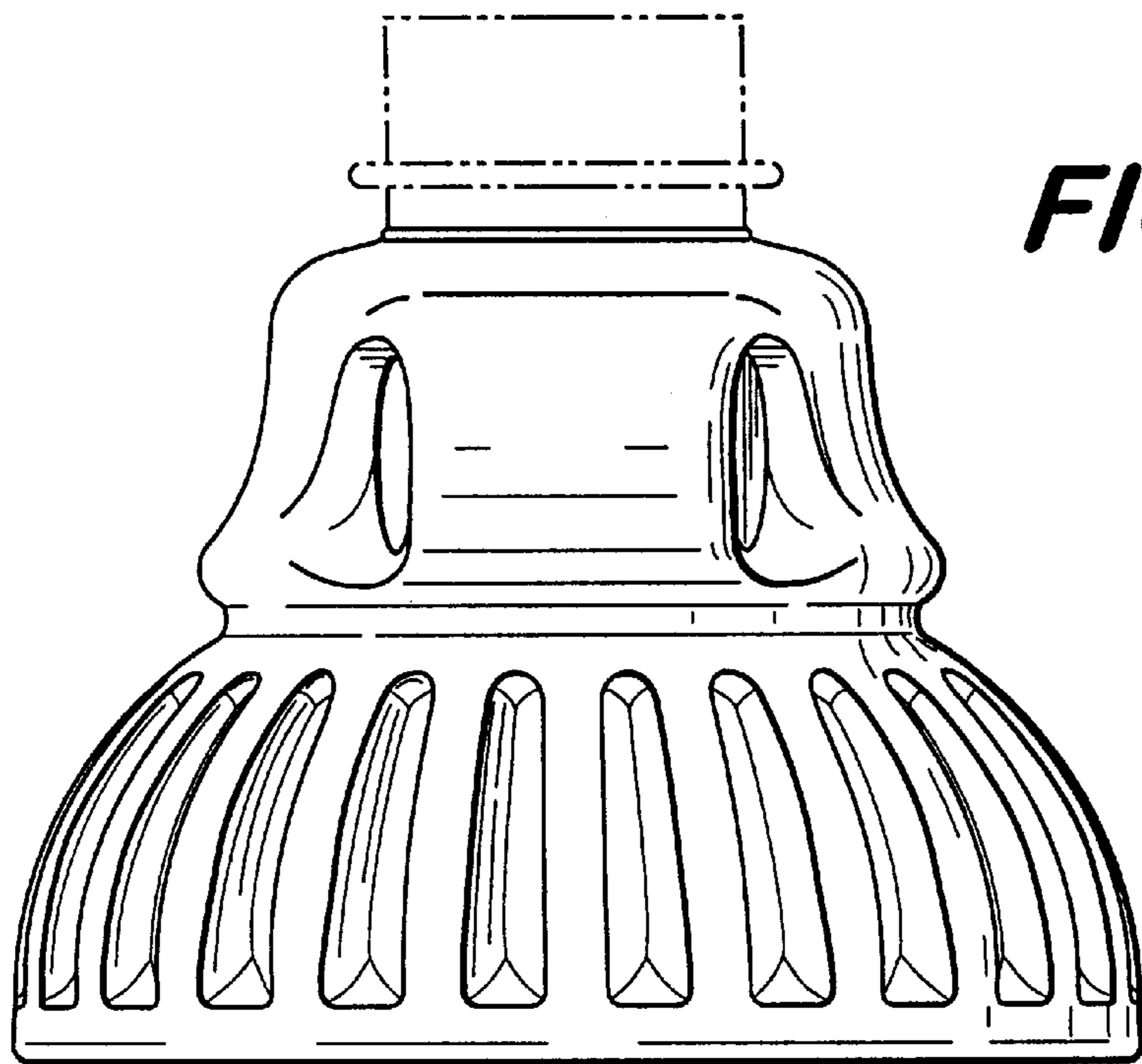


FIG. 3

FIG. 4

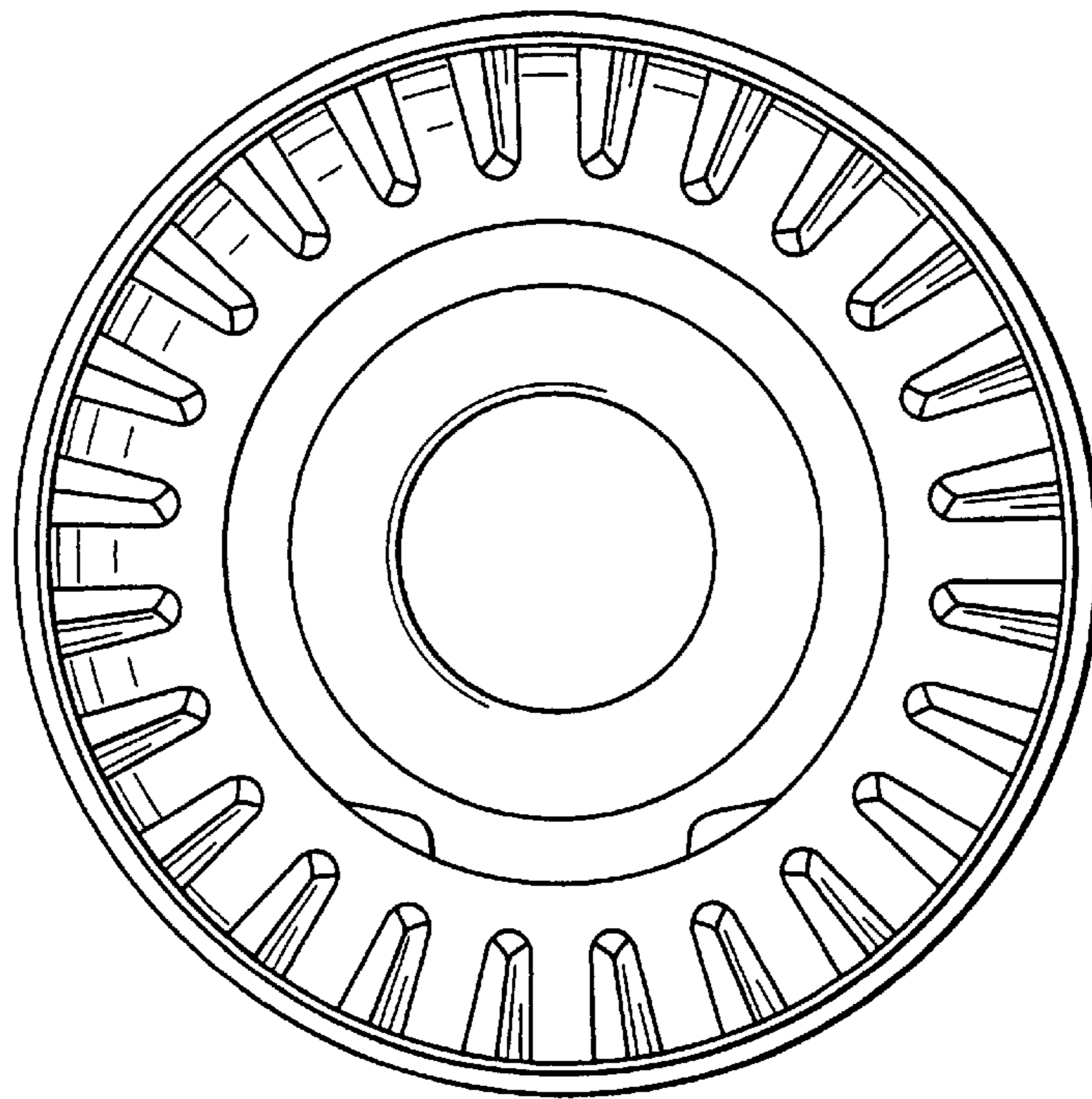
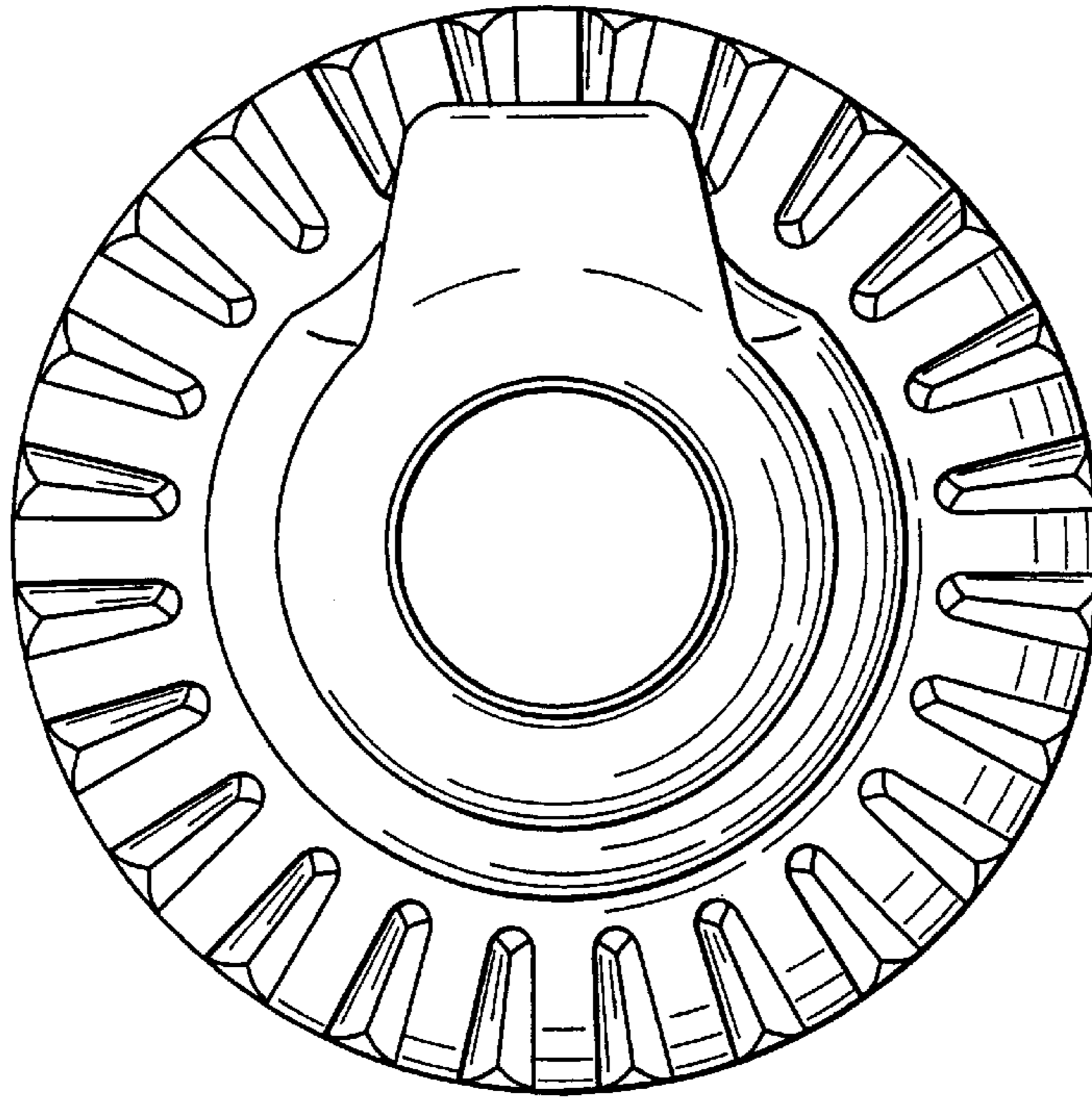


FIG. 5