



US00D431190S

United States Patent [19]

Adachi et al.

[11] Patent Number: **Des. 431,190**

[45] Date of Patent: **** Sep. 26, 2000**

[54] **COMBINED BOTTLE AND CAP**
[75] Inventors: **Kazuhiko Adachi; Chieko Yamamoto; Eriko Misawa**, all of Tokyo, Japan

D. 344,458 2/1994 Bruce D9/546
D. 377,295 1/1997 Dionisio D9/307
D. 392,193 3/1998 Crawford D9/541

[73] Assignee: **Shiseido Co., Ltd.**, Tokyo, Japan

Primary Examiner—Lucy Lieberman
Attorney, Agent, or Firm—Manabu Kanesaka

[**] Term: **14 Years**

[57] CLAIM

[21] Appl. No.: **29/114,587**

The ornamental design for a combined bottle and cap, as shown and described.

[22] Filed: **Nov. 30, 1999**

DESCRIPTION

[51] **LOC (7) Cl.** **09-01**

[52] **U.S. Cl.** **D9/520; D9/560; D9/564; D9/572**

[58] **Field of Search** D9/564, 551, 541, D9/542, 560, 546, 520, 307, 572, 573, 543; 215/382, 383, 384; 222/213, 215, 212

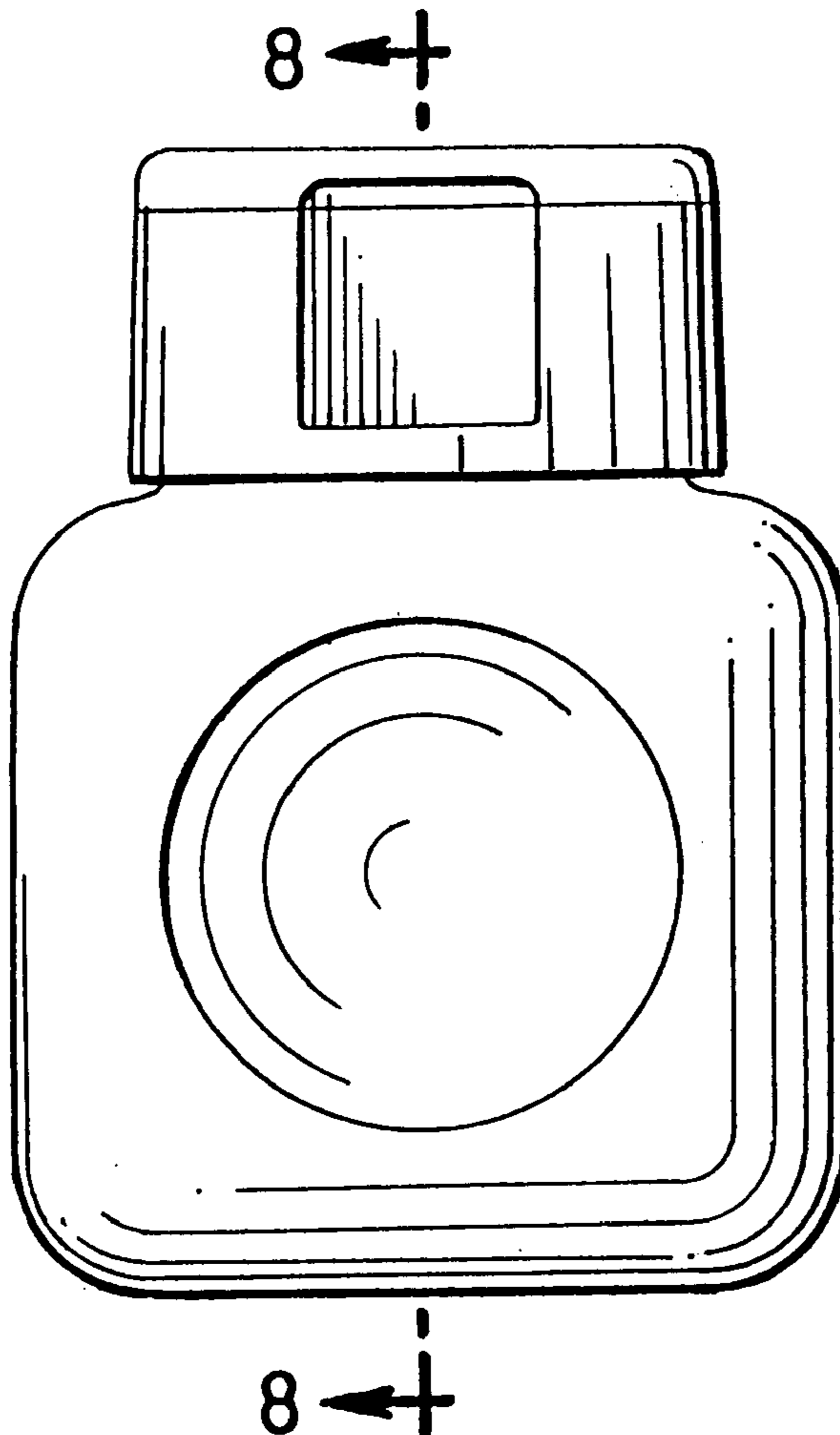
FIG. 1 is a front view of a combined bottle and cap showing our new design;
FIG. 2 is a rear view thereof;
FIG. 3 is a top plan view thereof;
FIG. 4 is a bottom plan view thereof;
FIG. 5 is a left side view thereof;
FIG. 6 is a right side view thereof;
FIG. 7 is a cross sectional view taken along line 7—7 in FIG. 5;
FIG. 8 is a cross sectional view taken along line 8—8 in FIG. 1; and,
FIG. 9 is a perspective view thereof.

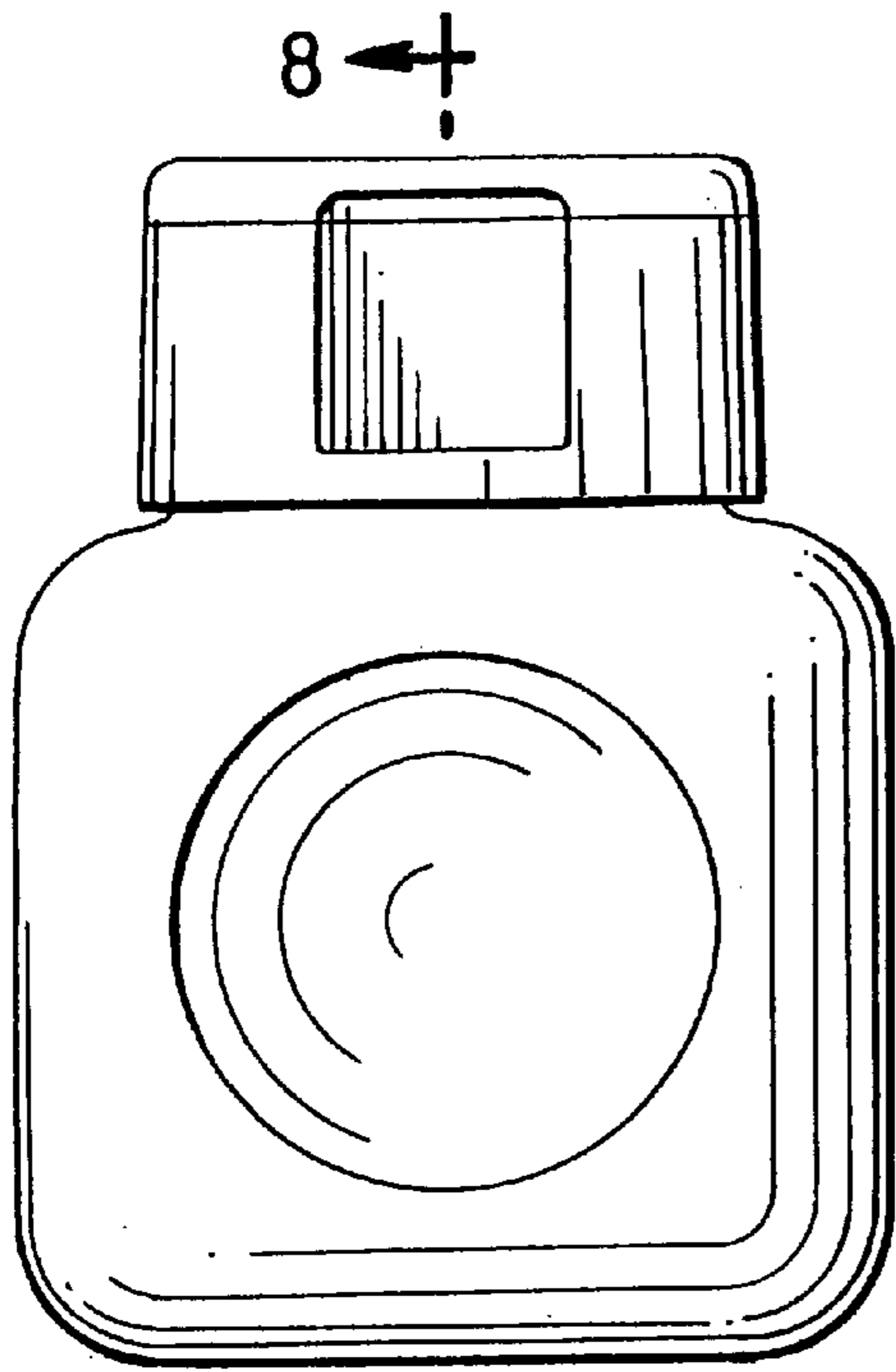
[56] References Cited

U.S. PATENT DOCUMENTS

D. 173,880 1/1955 Olifiers D9/564
D. 199,698 12/1964 Dutley D9/564
D. 269,067 5/1983 Ballereaud D9/560
D. 322,938 1/1992 Barol D9/564

1 Claim, 3 Drawing Sheets





8 ←
FIG. 1



FIG. 2

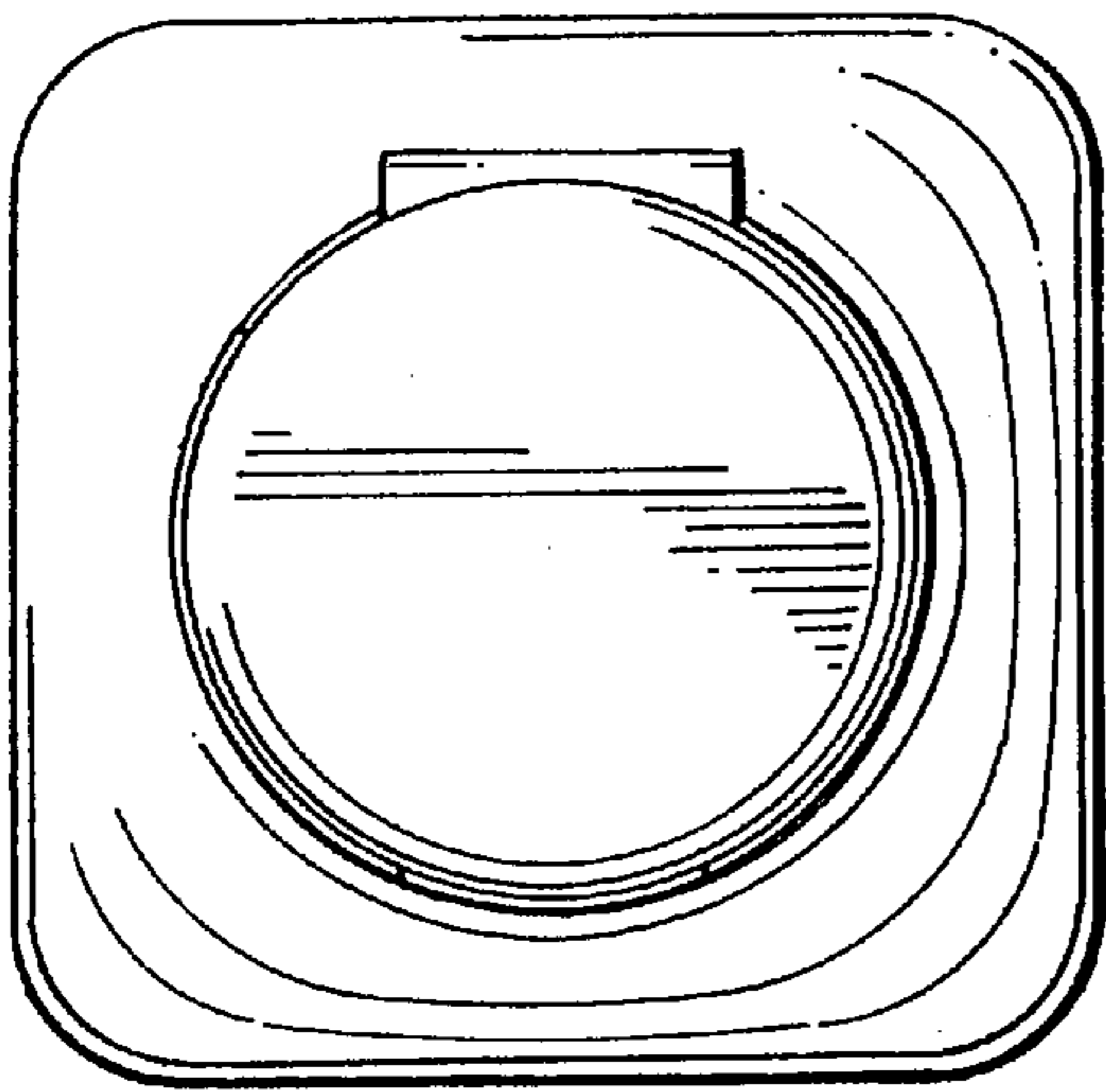


FIG. 3

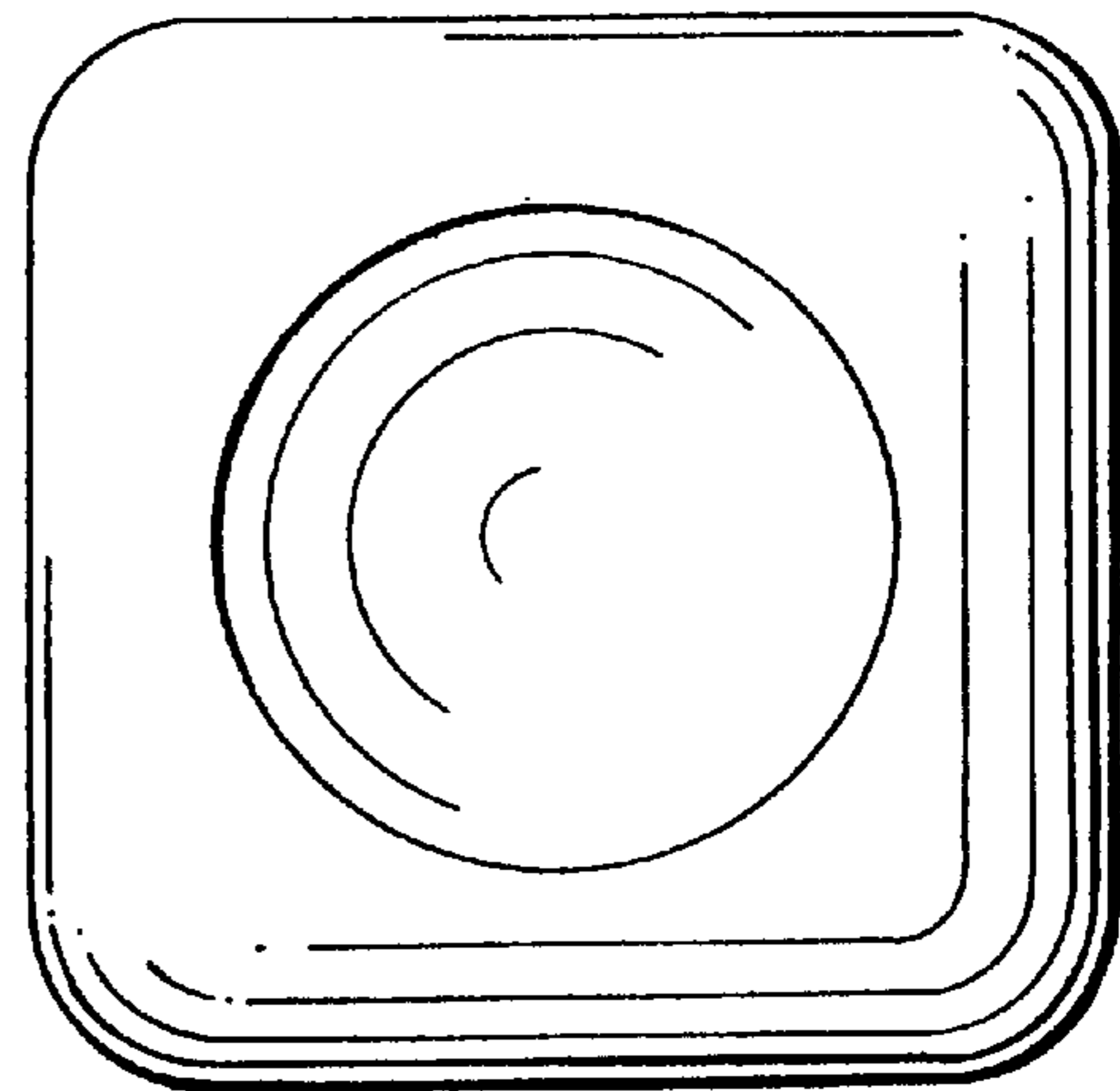


FIG. 4

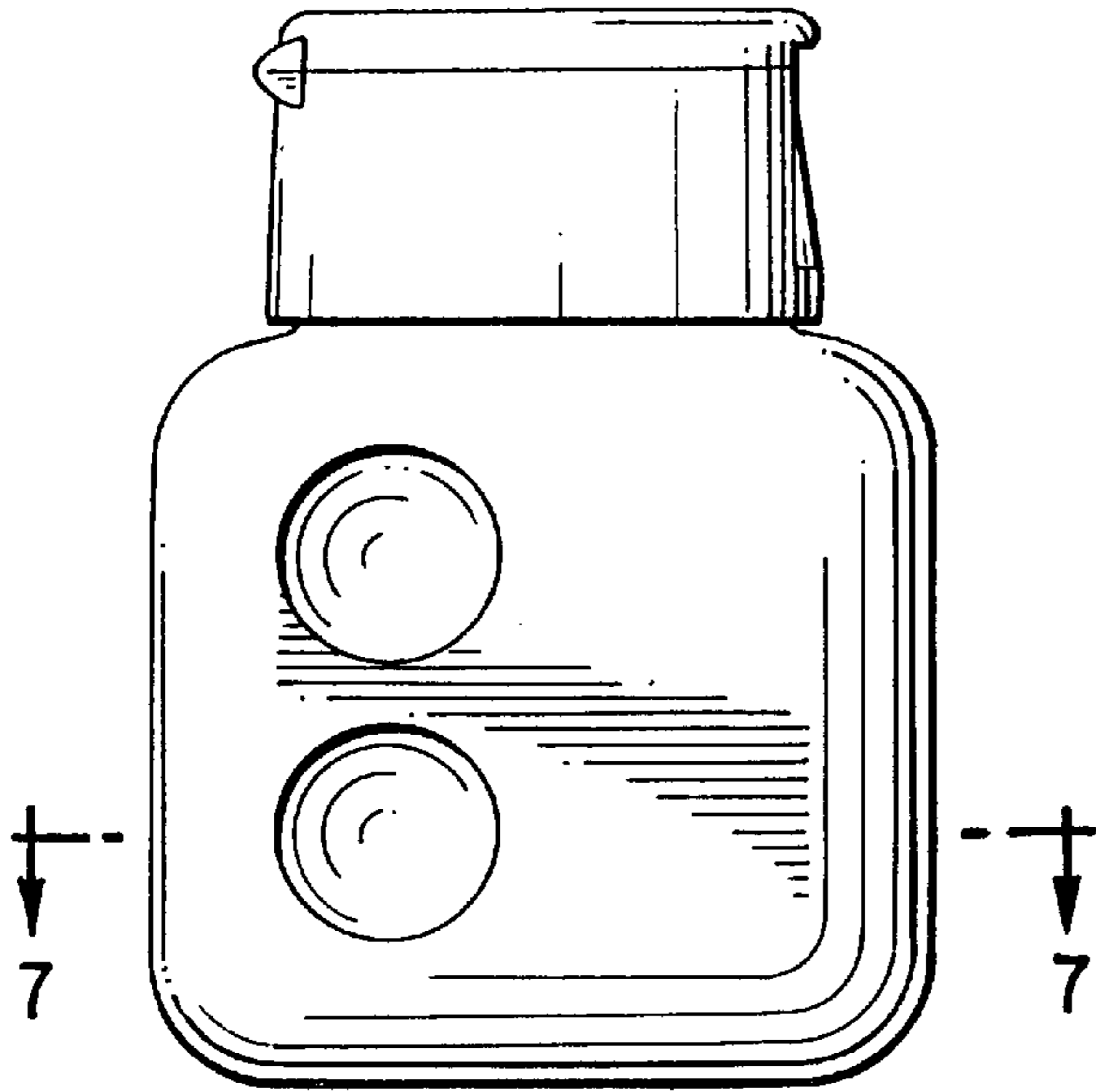


FIG. 5

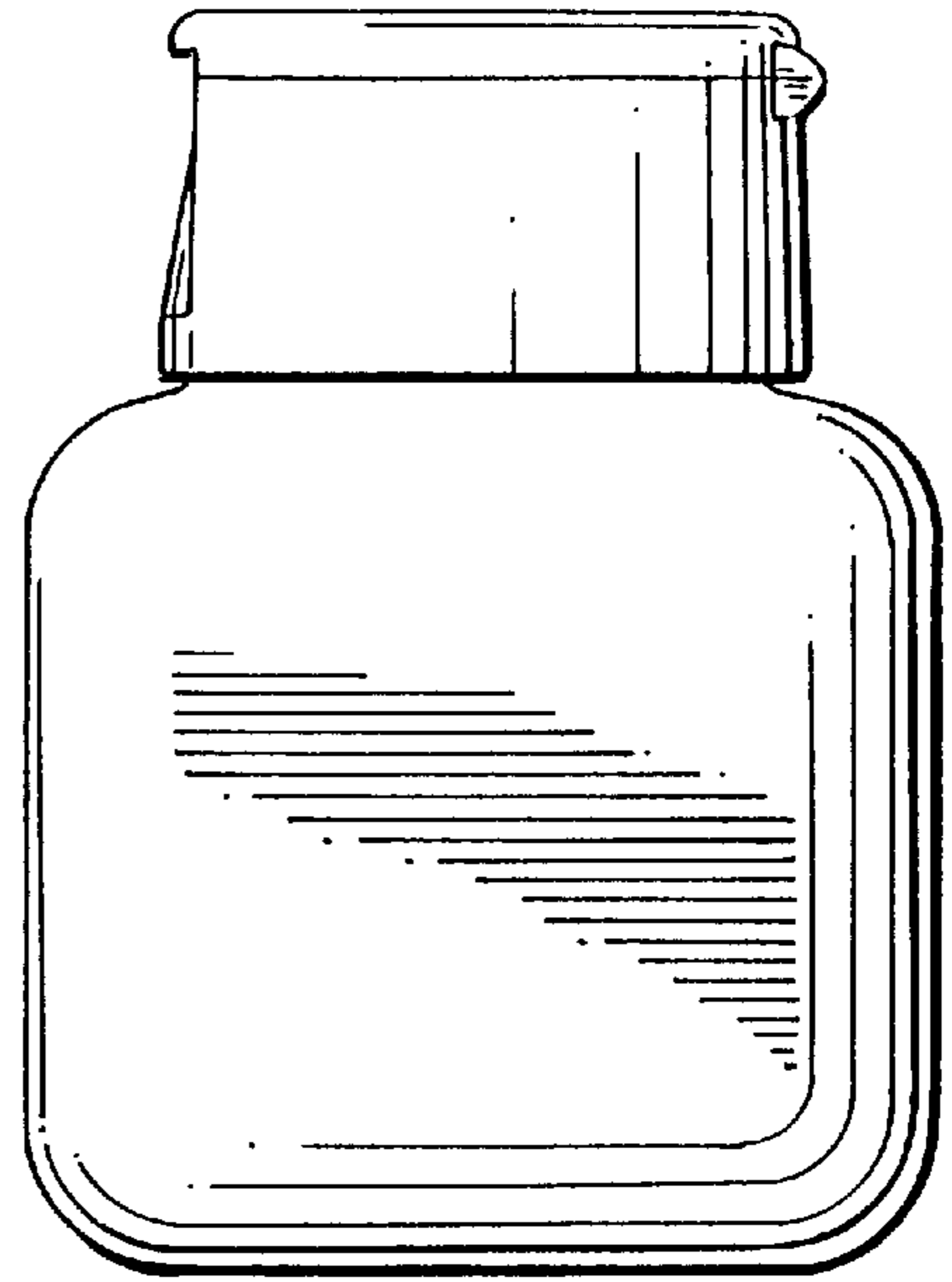


FIG. 6

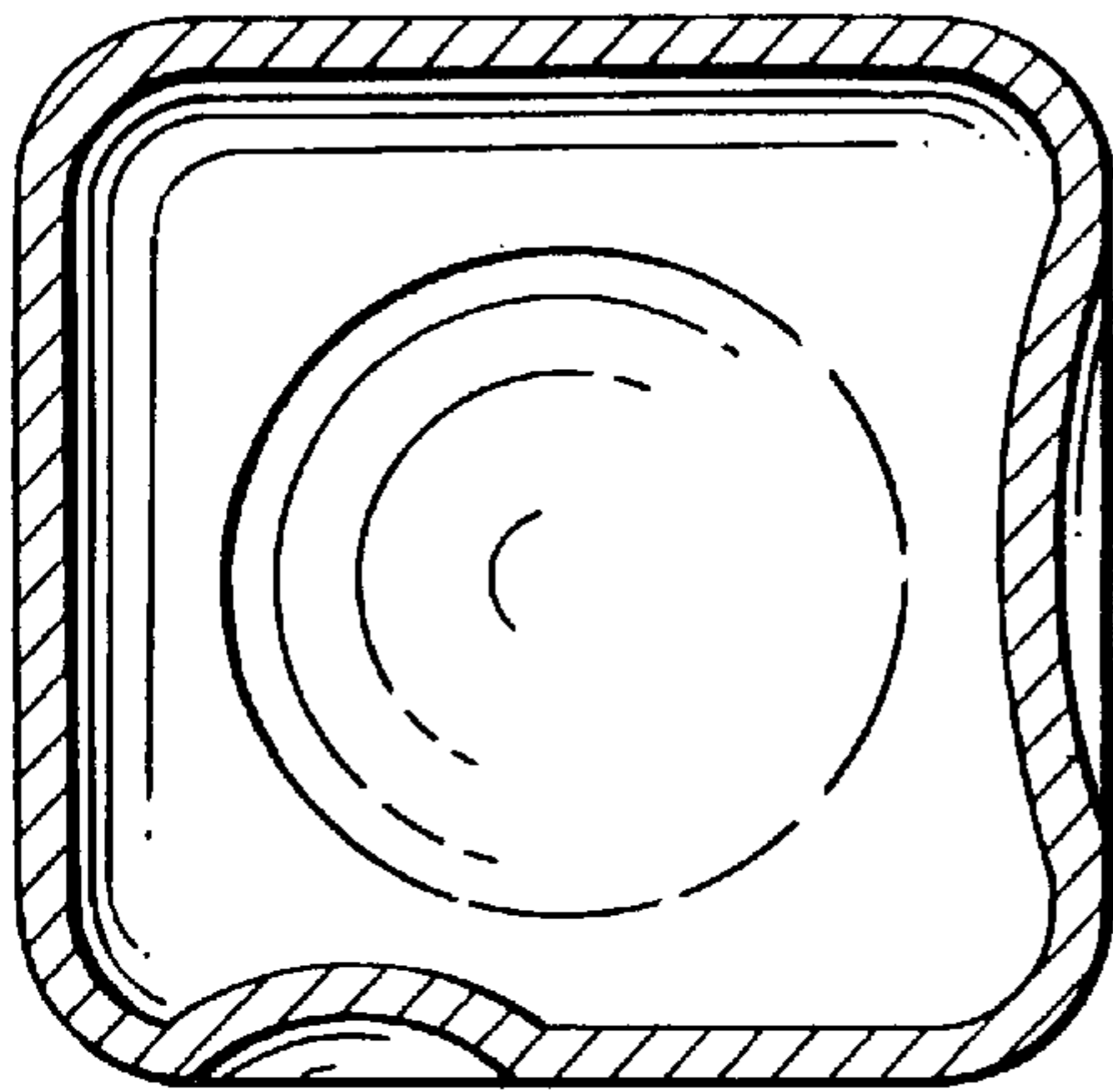


FIG. 7

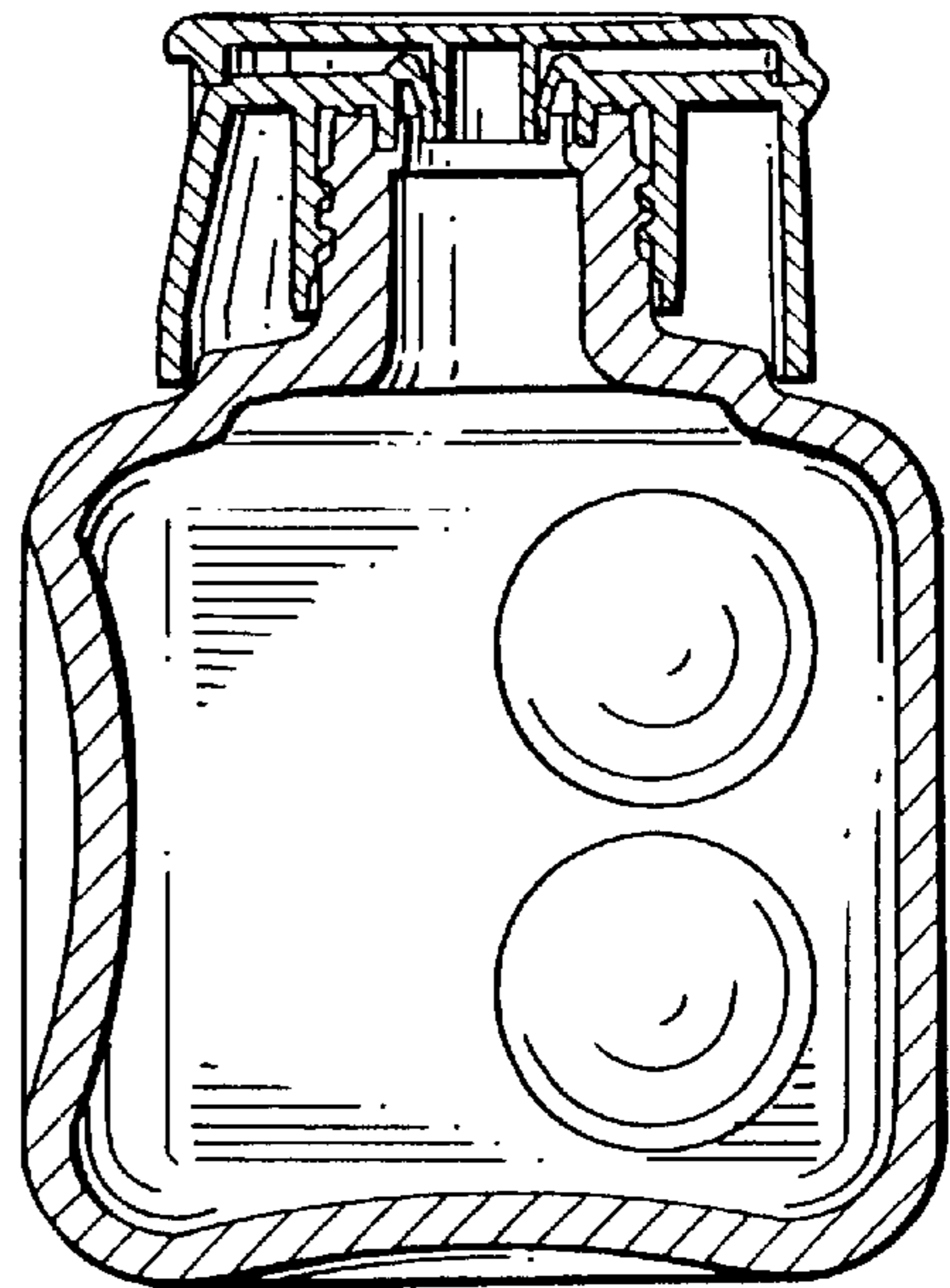


FIG. 8

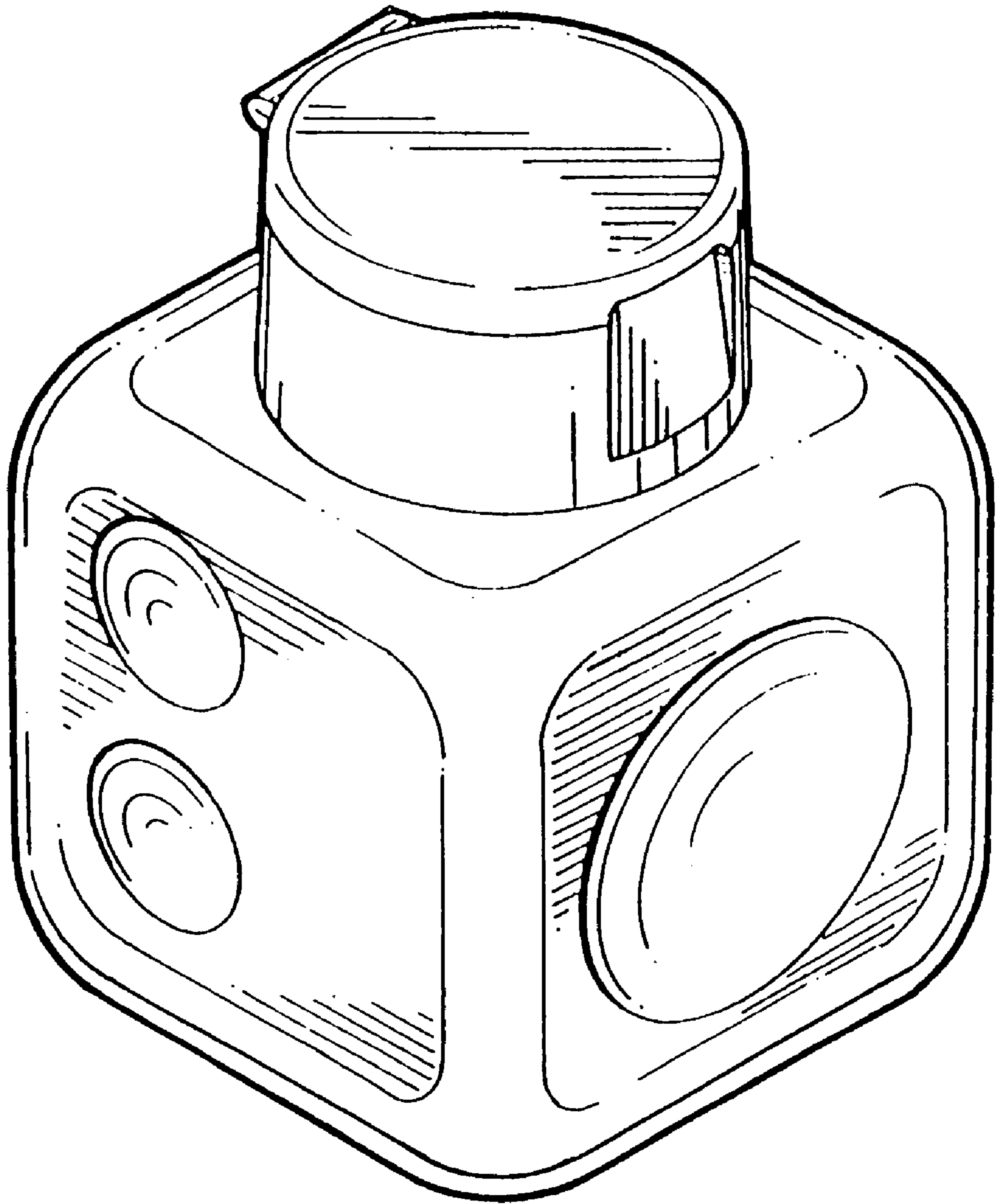


FIG. 9