



US00D431181S

United States Patent [19]
Leitzke et al.

[11] **Patent Number: Des. 431,181**
[45] **Date of Patent: ** *Sep. 26, 2000**

- [54] **BOW TIE LOCKING COTTER**
- [75] Inventors: **Rue S. Leitzke**, Hustisford; **Roman J. Baus**, Rubicon, both of Wis.
- [73] Assignee: **Pivot Point, Inc.**, Hustisford, Wis.
- [*] Notice: This patent is subject to a terminal disclaimer.
- [**] Term: **14 Years**
- [21] Appl. No.: **29/102,363**
- [22] Filed: **Mar. 23, 1999**
- [51] **LOC (7) Cl. 08-08**
- [52] **U.S. Cl. D8/382**
- [58] **Field of Search D8/370, 382; 411/514, 411/530, 343, 358, 515**

5,599,150 2/1997 Edwards et al. .
5,662,446 9/1997 Haan .

FOREIGN PATENT DOCUMENTS

1369526 of 1964 France .

OTHER PUBLICATIONS

Springs and formed wires, p. 10, formed wire, item 92899 located at bottom of page, Jan. 1947.

Primary Examiner—Holly Baynham
Attorney, Agent, or Firm—Ryan Kromholz & Manion, S.C.

[57] **CLAIM**

The ornamental design of a bow tie locking cotter, as shown and described.

DESCRIPTION

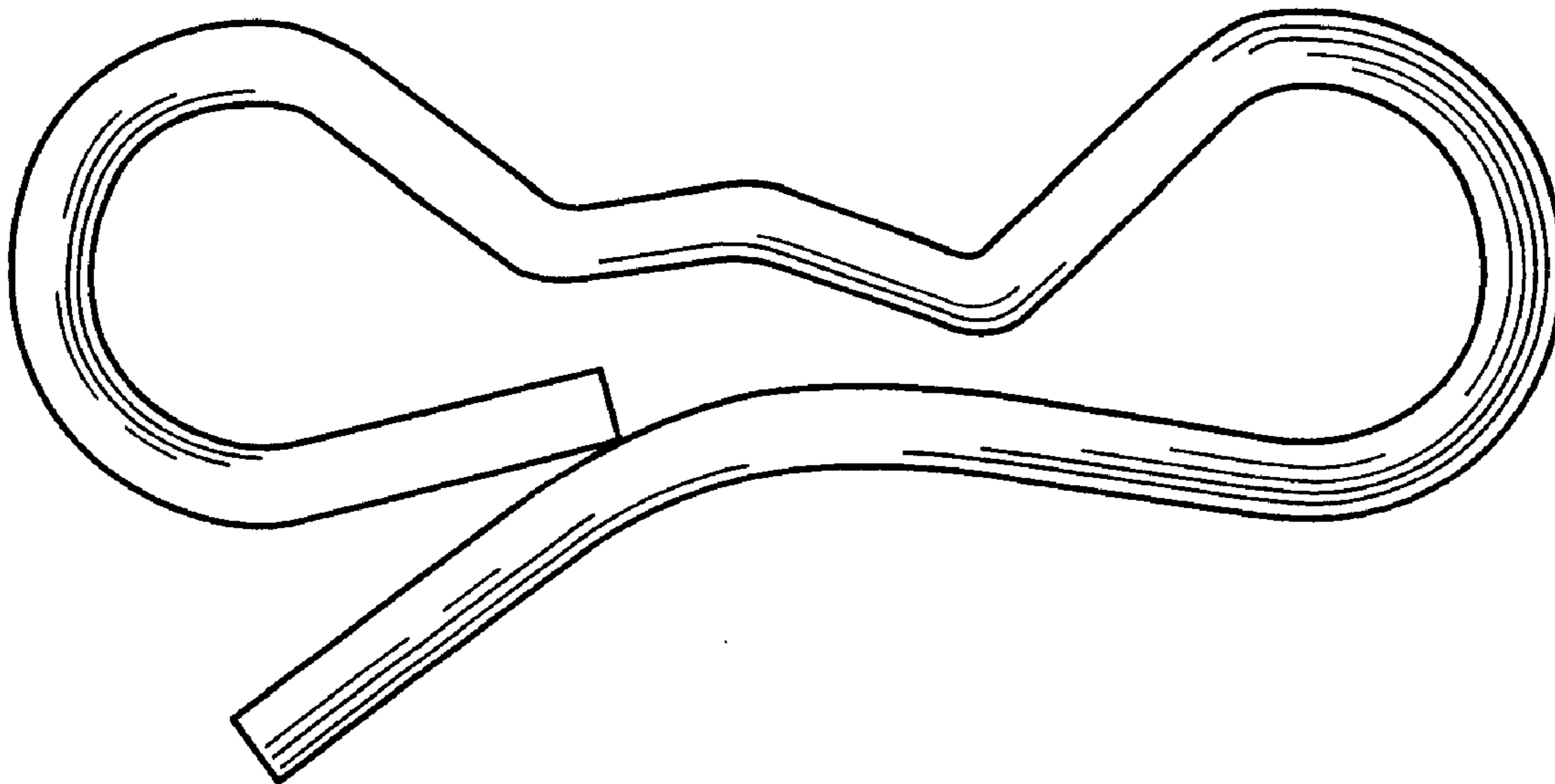
FIG. 1 is a top plan view of the bow tie locking cotter of our design, the bottom plan view being identical thereto;
 FIG. 2 is a front elevational view of the bow tie locking cotter;
 FIG. 3 is a rear elevational view;
 FIG. 4 is a left side elevational view;
 FIG. 5 is a right side elevational view;
 FIG. 6 is an environmental perspective view;
 FIG. 7 is an environmental reverse side perspective view;
 FIG. 8 is a top plan view of an alternative design of our bow tie locking cotter, the bottom plan view being identical thereto;
 FIG. 9 is a front elevational view;
 FIG. 10 is a rear elevational view;
 FIG. 11 is a left side elevational view;
 FIG. 12 is a right side elevational view;
 FIG. 13 is an environmental perspective view; and,
 FIG. 14 is an environmental reverse side perspective view.

[56] **References Cited**

U.S. PATENT DOCUMENTS

270,410	1/1883	Fox .	
1,171,536	2/1916	Ostrander .	
1,171,740	2/1916	Martus .	
1,300,609	4/1919	Heinkel .	
1,403,090	1/1922	Merrick .	
1,532,148	4/1925	Malone .	
1,593,433	7/1926	Carlson .	
1,768,720	7/1930	Taylor .	
1,913,555	6/1933	Lyle .	
2,266,689	12/1941	Lemison .	
2,344,423	3/1944	Simmons	411/530
2,926,033	2/1960	Zarrillo	411/530 X
3,255,654	6/1966	Bleicher .	
3,975,979	8/1976	Stoddard	411/530
4,298,299	11/1981	Quarles .	
4,592,689	6/1986	Leitzke .	
5,217,338	6/1993	Czubek .	
5,324,152	6/1994	Anderson, IV .	

1 Claim, 4 Drawing Sheets



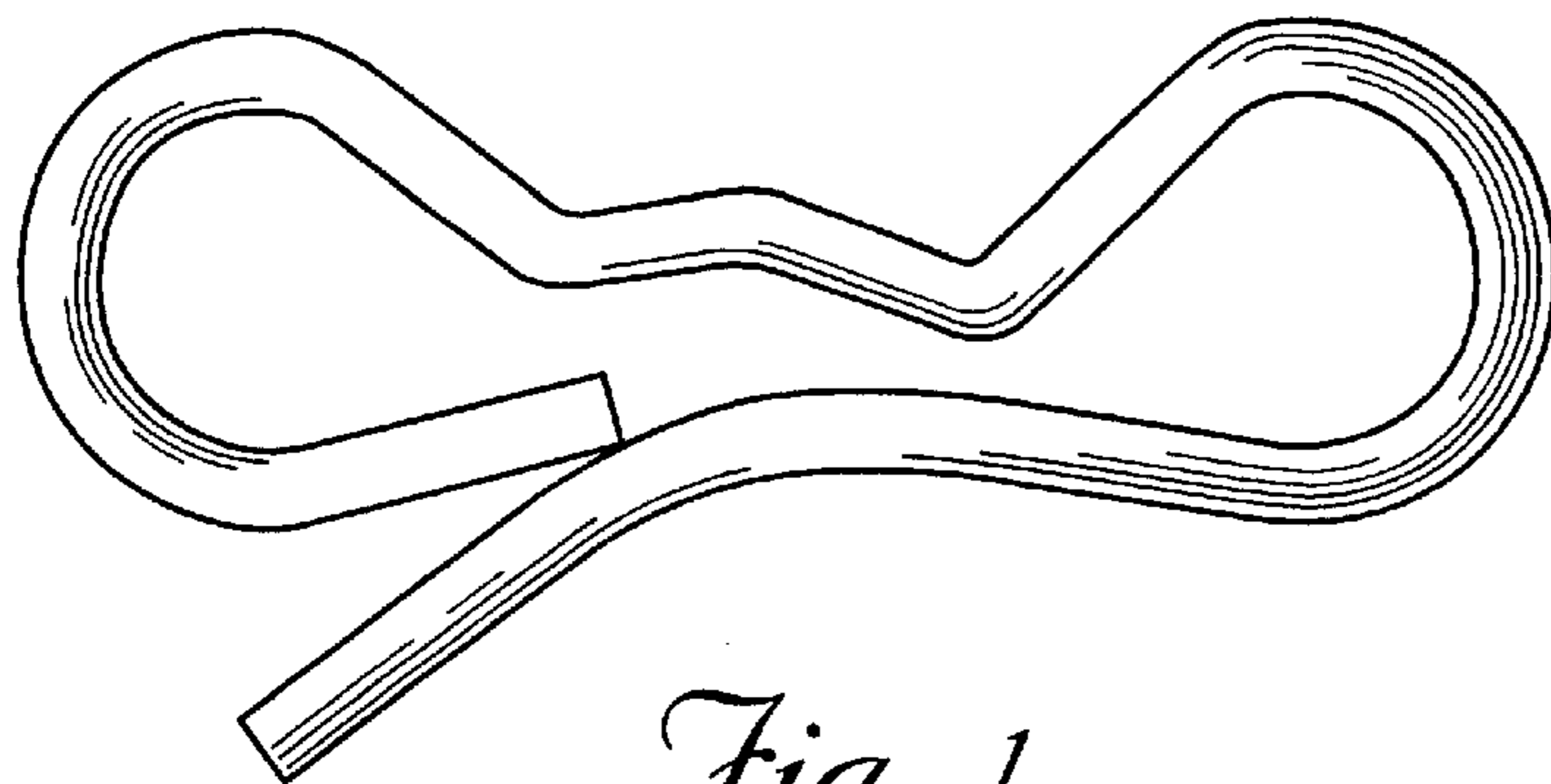


Fig. 1

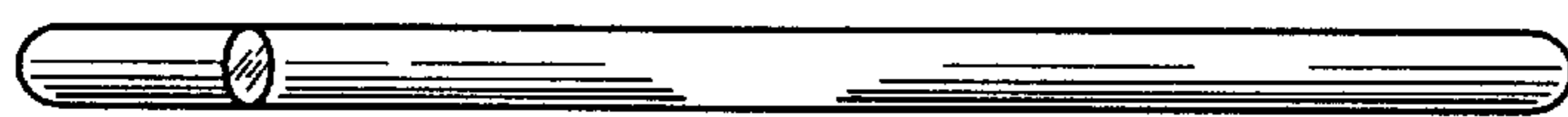


Fig. 2



Fig. 4



Fig. 3



Fig. 5

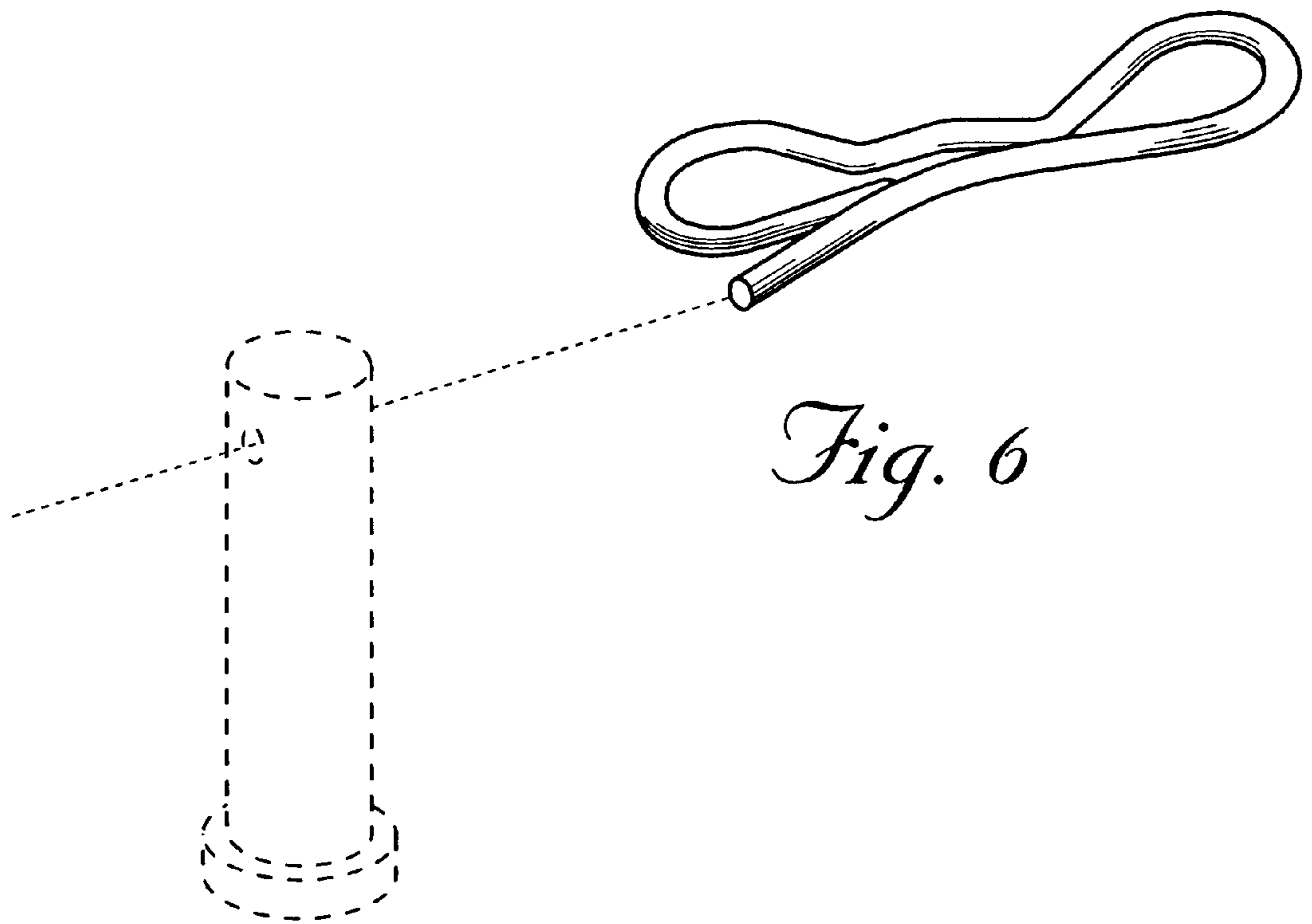


Fig. 6

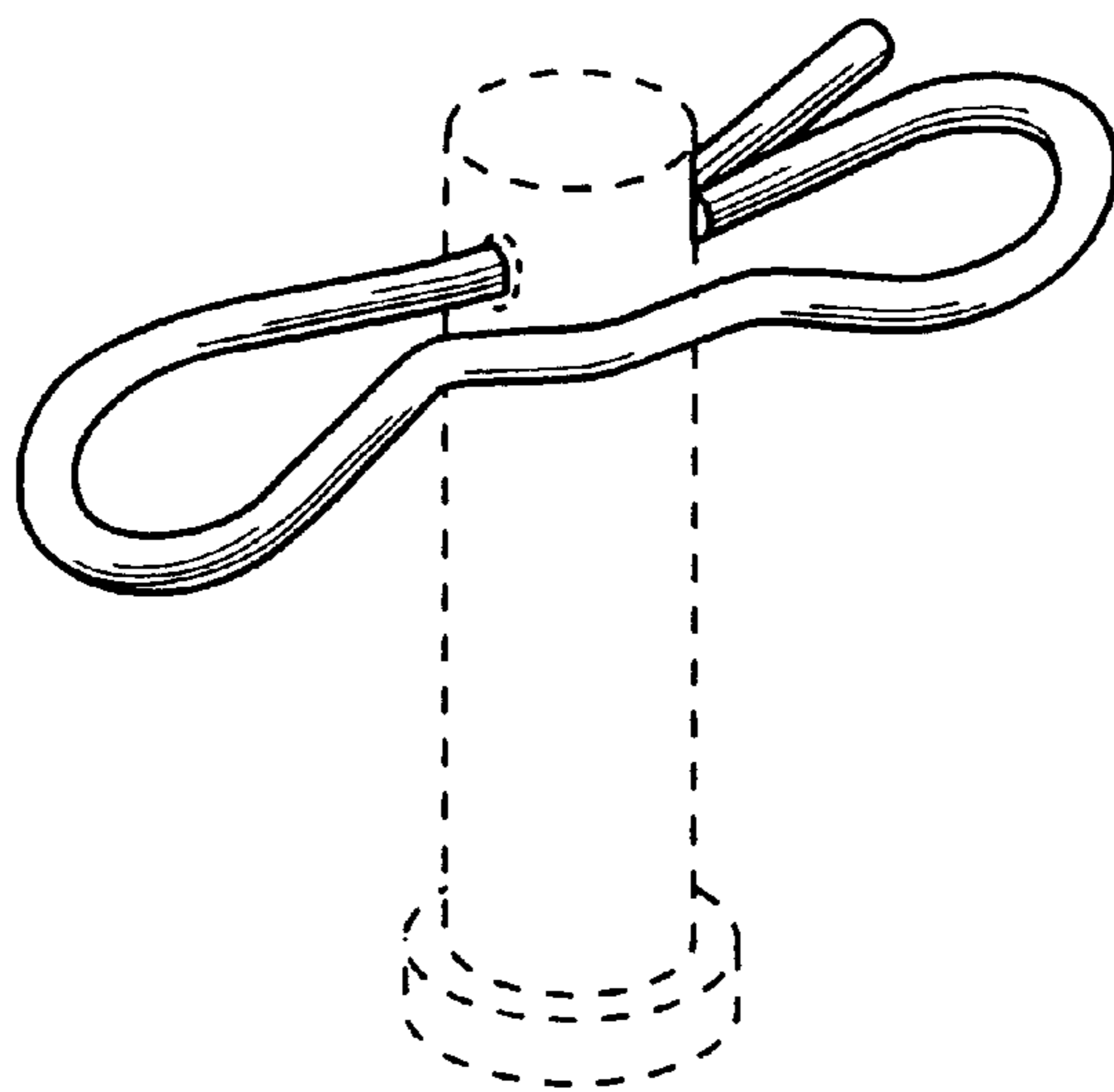


Fig. 7

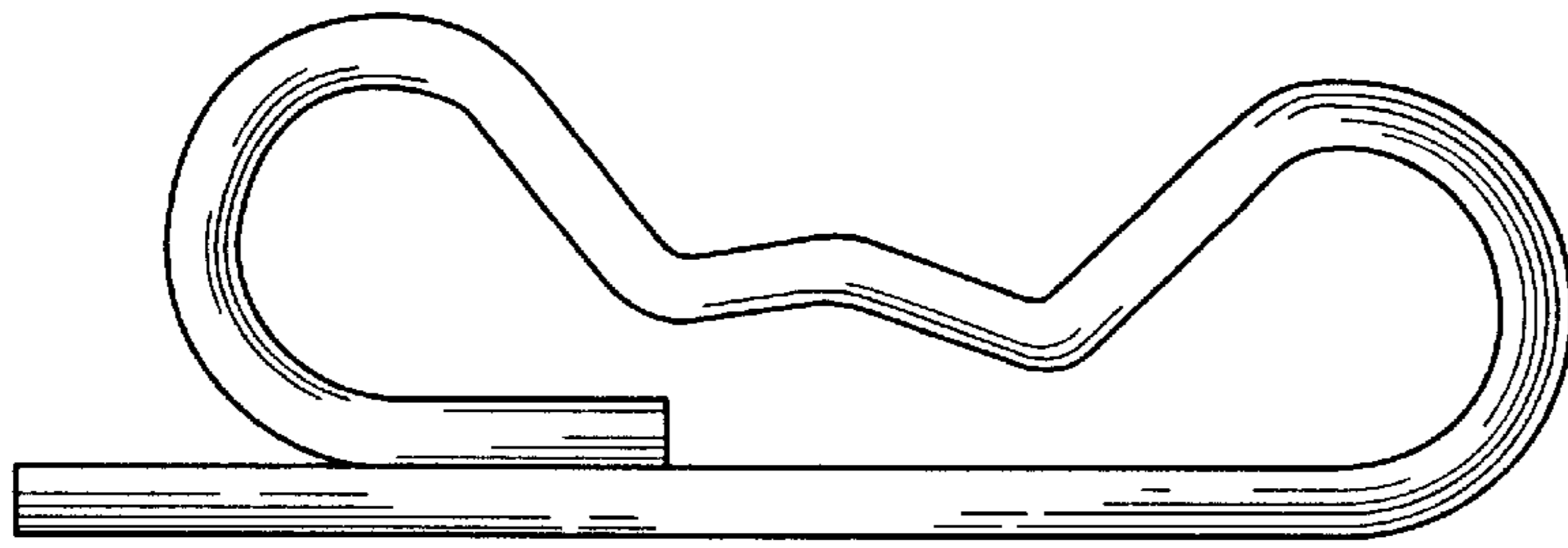


Fig. 8



Fig. 9



Fig. 11

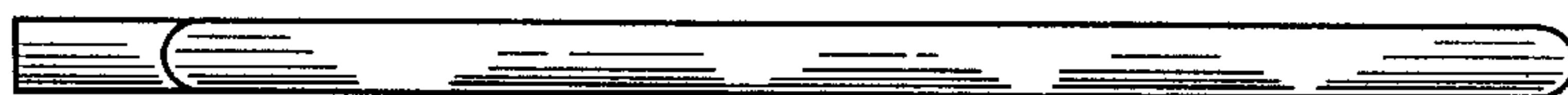


Fig. 10



Fig. 12

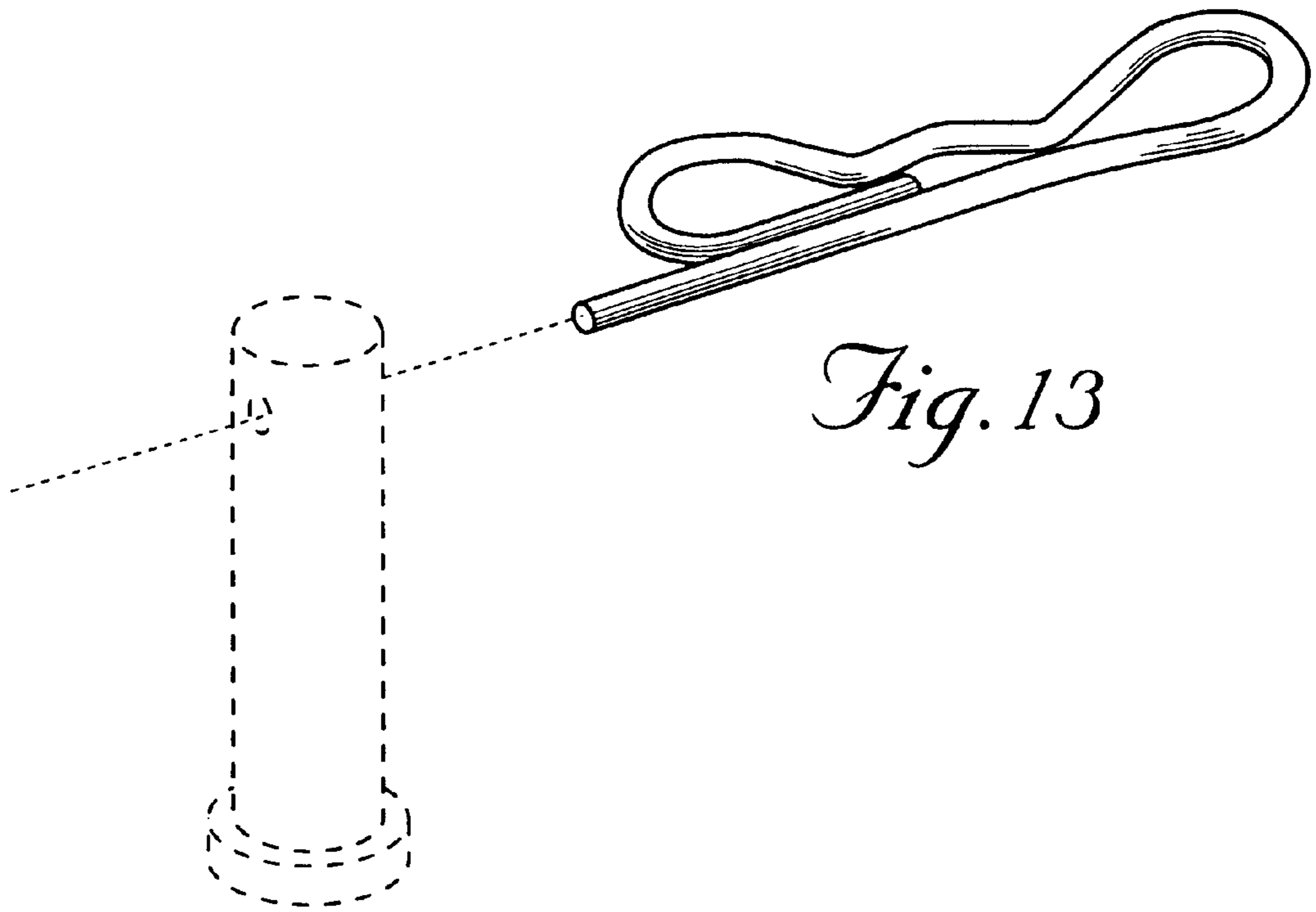


Fig. 13

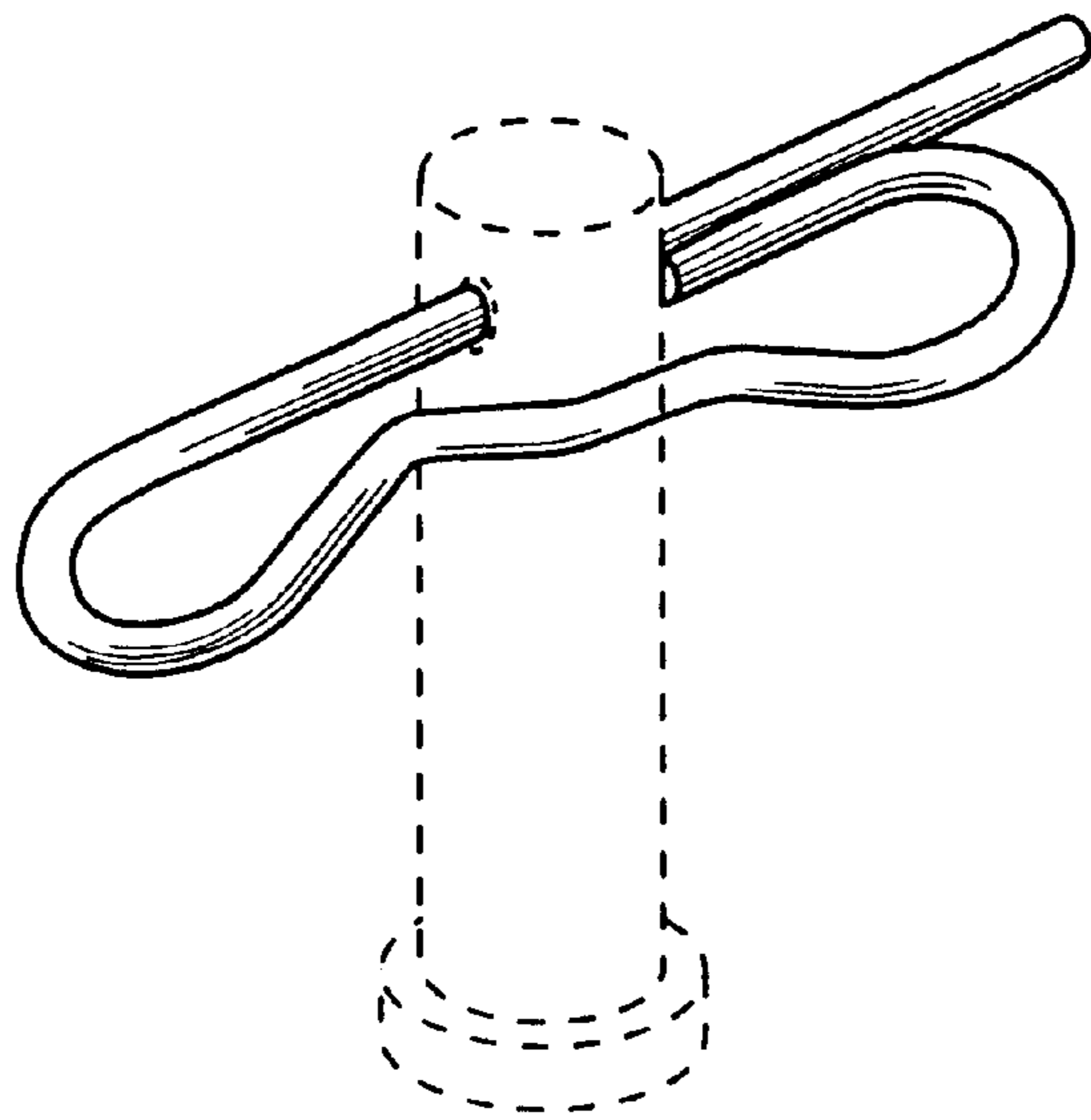


Fig. 14