



US00D431180S

# United States Patent [19]

Gray, Jr.

[11] Patent Number: Des. 431,180

[45] Date of Patent: \*\* Sep. 26, 2000

[54] CHAIN SHACKLE WITH PIN LOCKING STRUCTURE

5,460,418 10/1995 Falls ..... 59/86  
5,647,198 7/1997 Mihailovic ..... 59/86  
6,023,927 2/2000 Epstein ..... 59/86

[76] Inventor: Albert M. Gray, Jr., 30 Pierce Ct., N. Weymouth, Mass. 02191-1409

Primary Examiner—Alan P. Douglas  
Assistant Examiner—Reid Hecker  
Attorney, Agent, or Firm—John P. McGonagle

[\*\*] Term: 14 Years

[57] CLAIM

[21] Appl. No.: 29/117,261

The ornamental design for a chain shackle with pin locking structure, as shown and described.

[22] Filed: Jan. 24, 2000

[51] LOC (7) Cl. .... 08-08

DESCRIPTION

[52] U.S. Cl. .... D8/367; D8/382

[58] Field of Search ..... D8/367, 382; 24/598.1, 24/598.4, 352; 294/82.34; 59/85, 86, 93; 114/114; 403/24, 154; 70/18

FIG. 1 is a front perspective view of a chain shackle with pin locking structure embodying my new design;

FIG. 2 is a top view thereof;

FIG. 3 is a bottom view thereof;

FIG. 4 is a right side elevational view thereof;

FIG. 5 is a rear view thereof, the opposite side being a mirror image thereof; and,

FIG. 6 is a left side elevational view thereof.

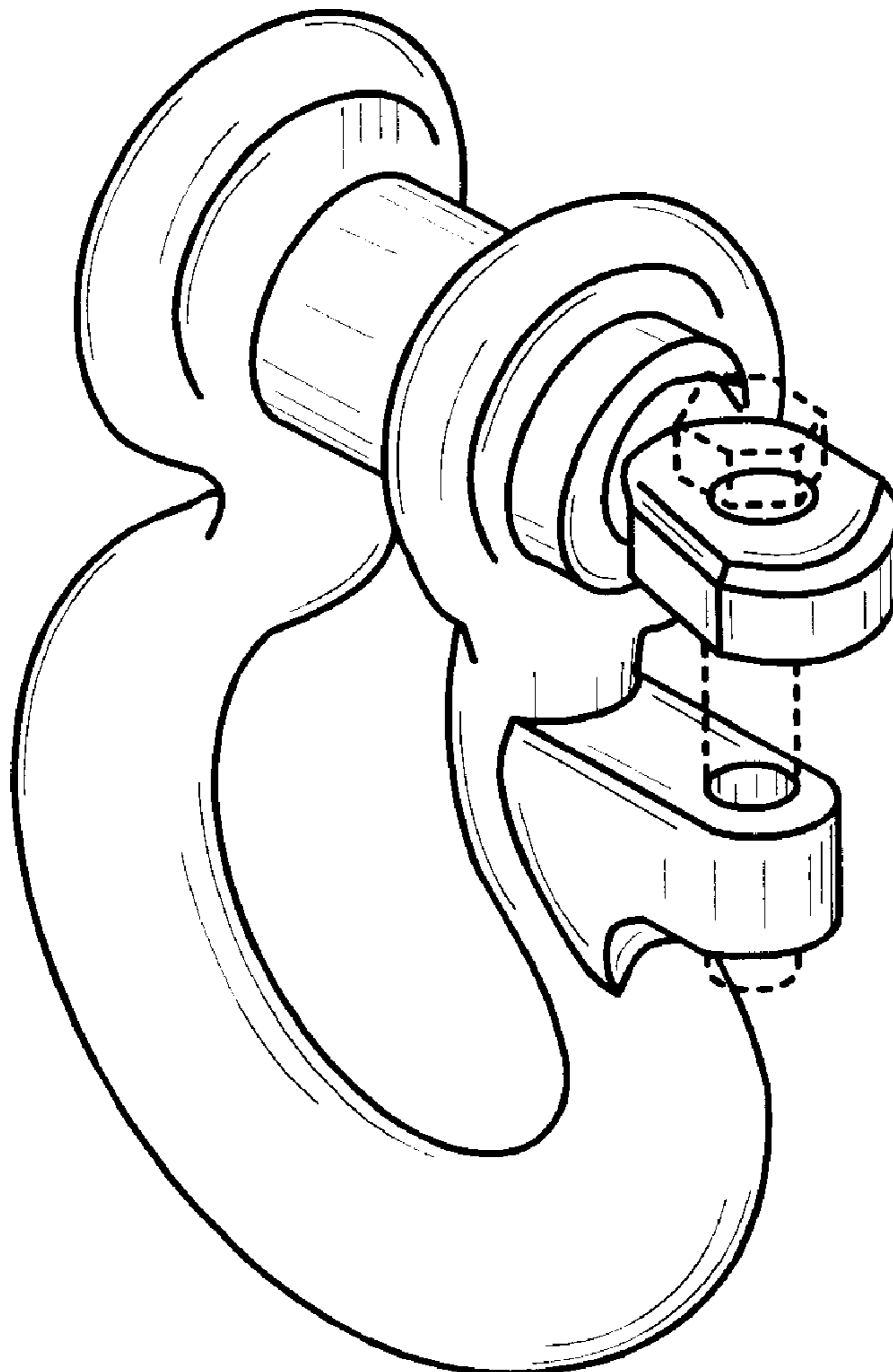
The broken line showing in FIGS. 1, 2, 4 and 5 are for illustrative purposes only and form no part of the claimed design.

[56] References Cited

U.S. PATENT DOCUMENTS

D. 265,173	6/1982	Brooks	.....	D8/367
1,299,018	4/1919	Pearson	.....	24/598.4
3,462,945	8/1969	Barber	.....	59/86
4,307,567	12/1981	Archer	.....	59/86
4,423,610	1/1984	Hart et al.	.....	70/18
4,476,673	10/1984	Brown	.....	59/86

1 Claim, 1 Drawing Sheet



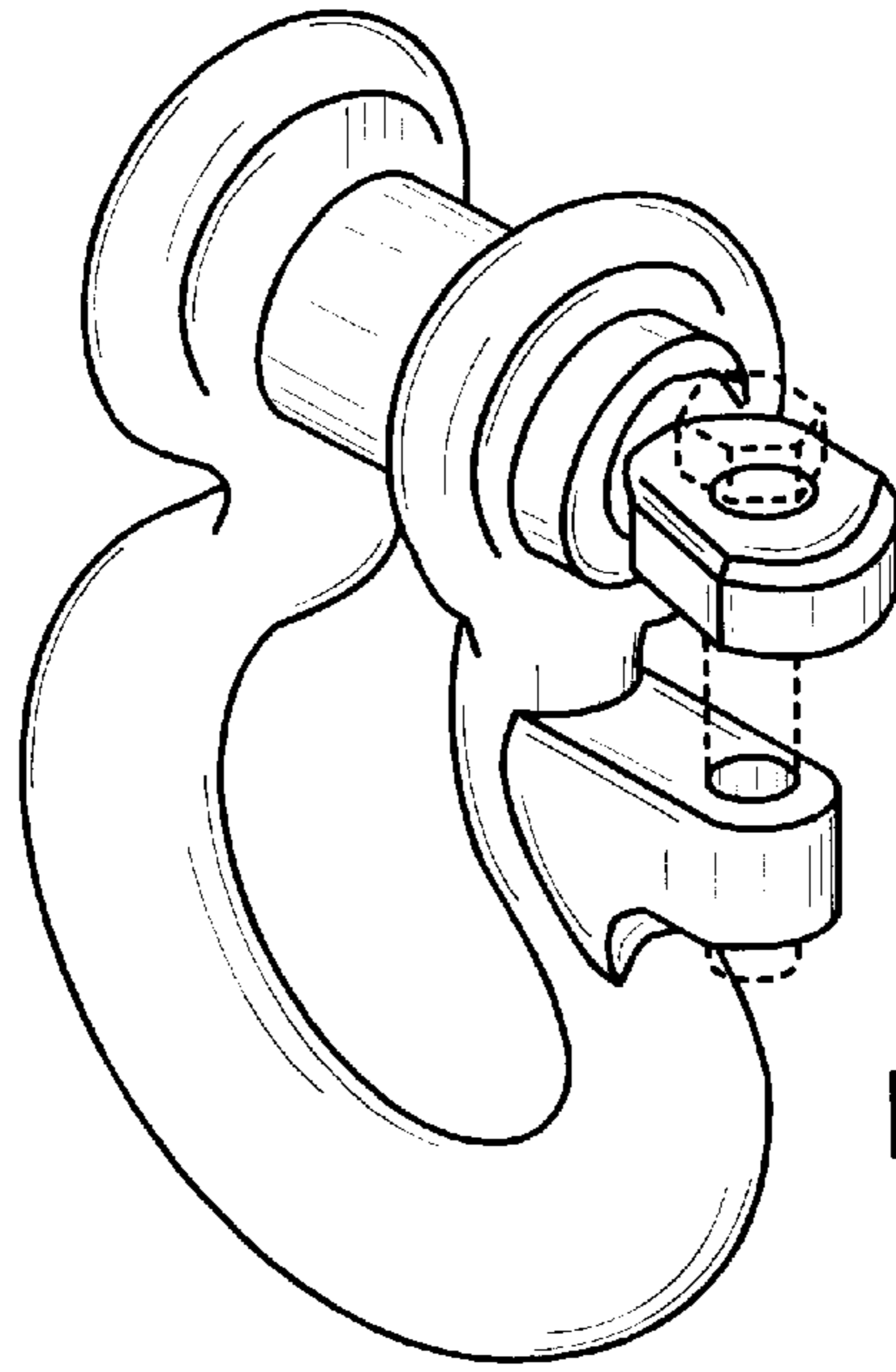


FIG. 1

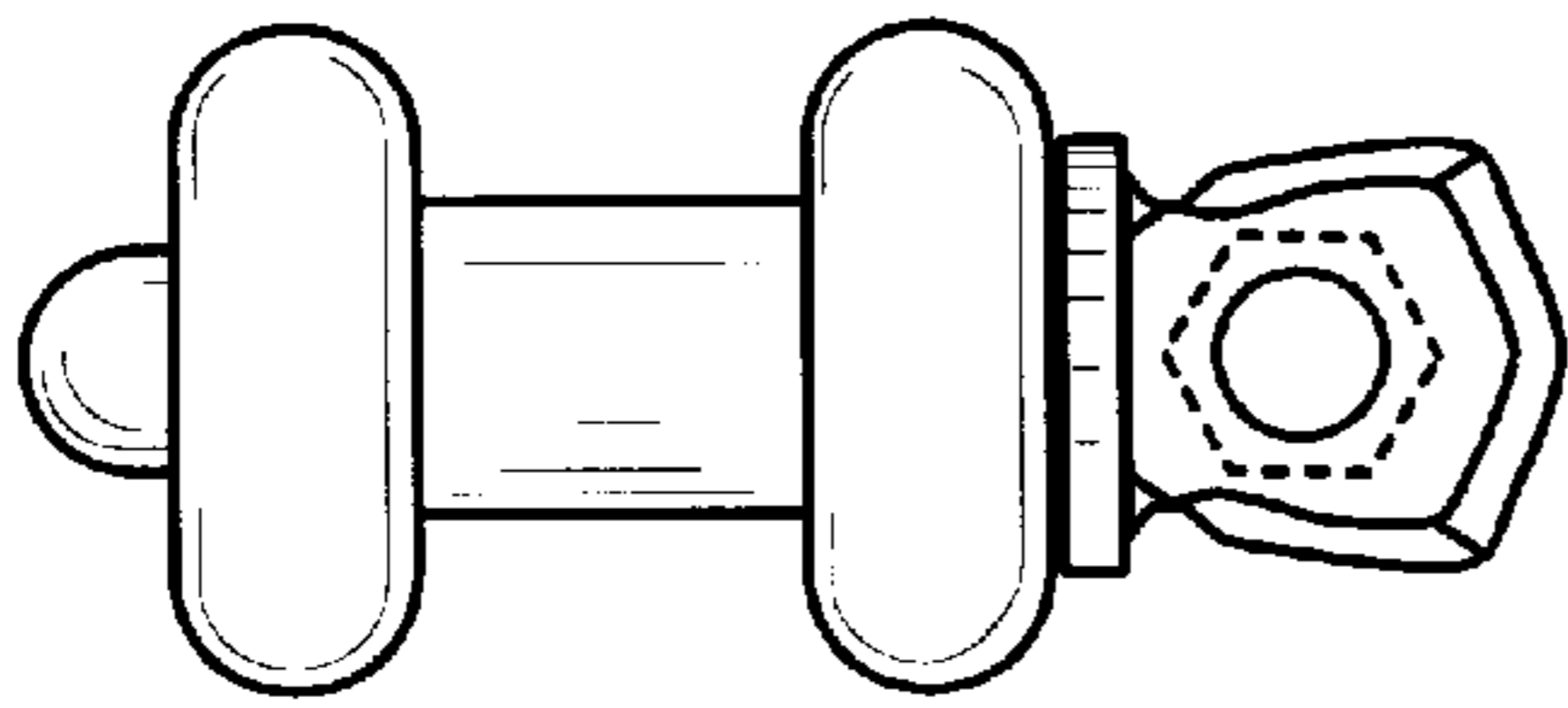


FIG. 2

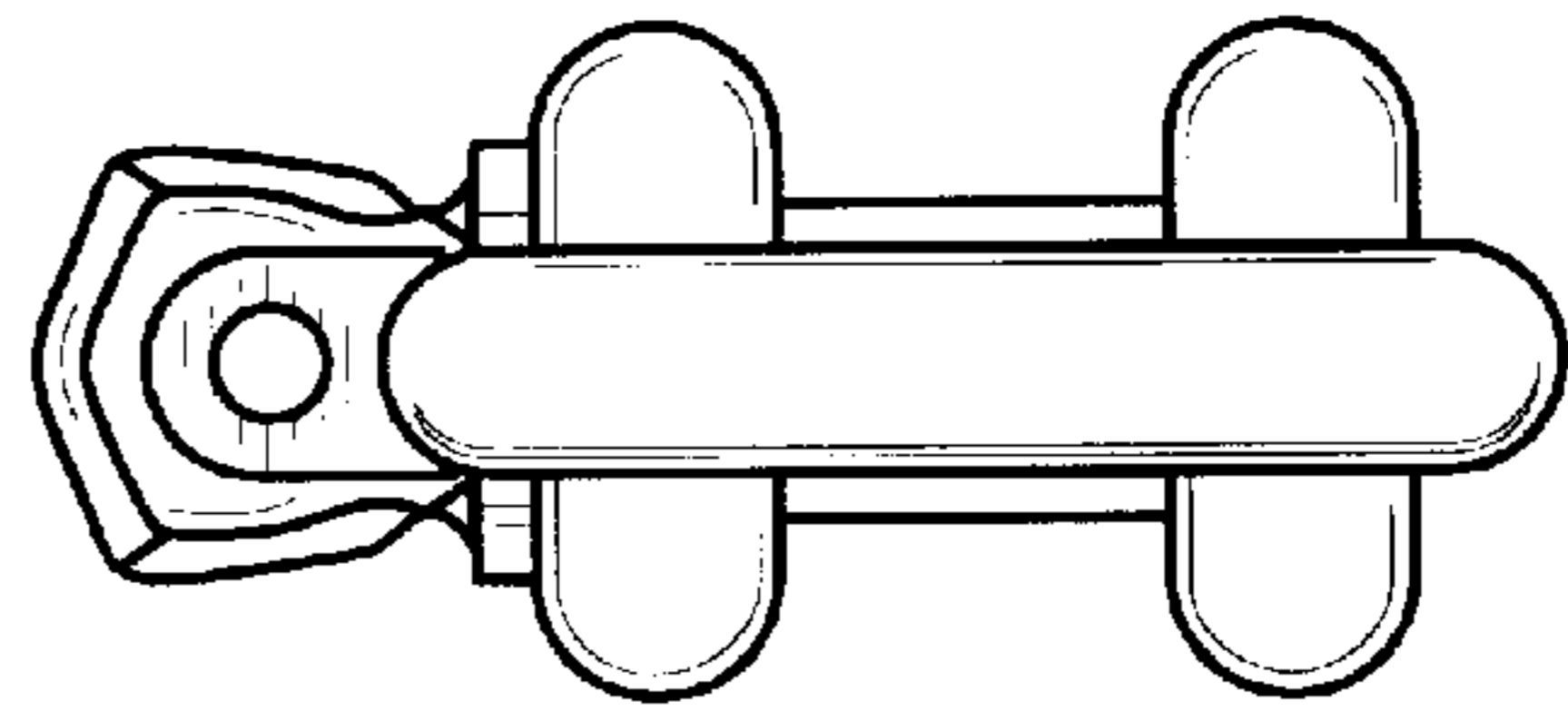


FIG. 3

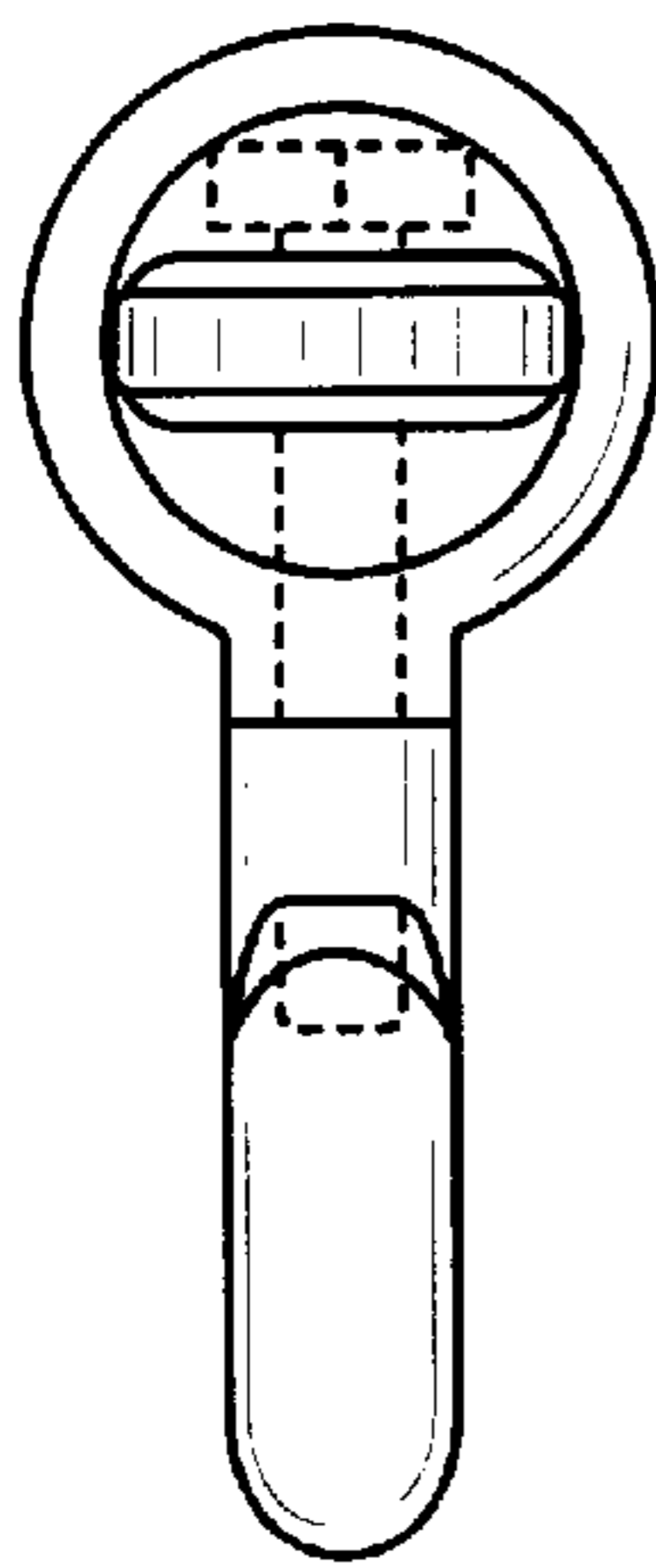


FIG. 4

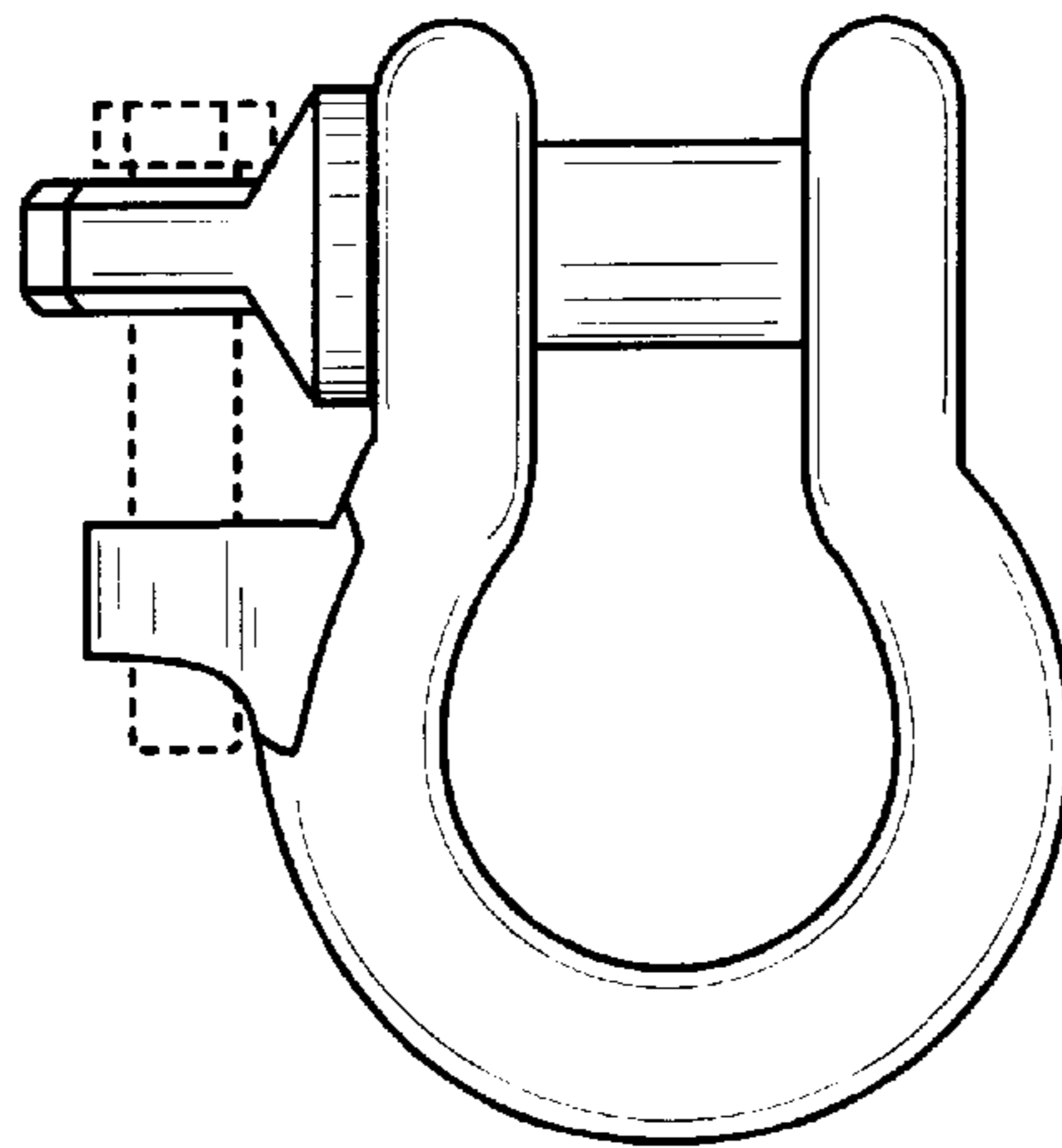


FIG. 5

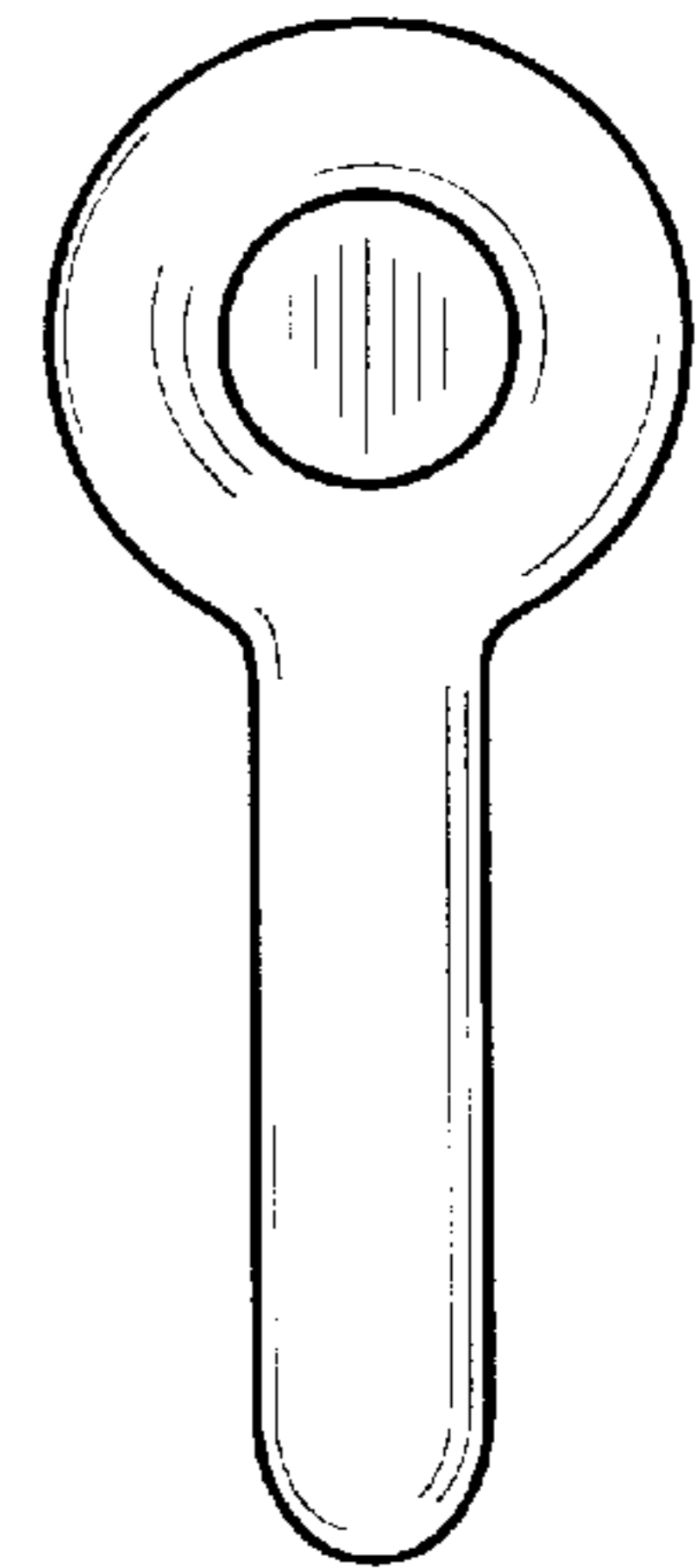


FIG. 6