



US00D431179S

# United States Patent [19]

Kovacik et al.

[11] Patent Number: **Des. 431,179**

[45] Date of Patent: **\*\* Sep. 26, 2000**

[54] ELECTRICAL CORD REEL

[75] Inventors: **James D. Kovacik**, Brecksville; **Paul S. Blanch**, Broadview Heights; **Stanley E. Grzywna**, Elyria, all of Ohio

[73] Assignee: **Alert Stamping & Mfg. Co., Inc.**, Bedford Heights, Ohio

[\*\*] Term: **14 Years**

[21] Appl. No.: **29/108,827**

[22] Filed: **Aug. 4, 1999**

[51] LOC (7) Cl. .... **08-05**

[52] U.S. Cl. .... **D8/358**

[58] Field of Search ..... D8/358, 359; 242/395, 242/404, 403.1, 388.1

[56] **References Cited**

**U.S. PATENT DOCUMENTS**

D. 260,073 8/1981 Wells ..... D8/358

D. 419,426 12/1998 Kovacik et al. .... D8/358  
3,619,518 11/1971 Blanch et al. .  
3,715,526 2/1973 Blanch et al. .  
3,808,382 4/1974 Blanch et al. .

*Primary Examiner*—Holly Baynham  
*Attorney, Agent, or Firm*—MacMillan, Sobanski & Todd, LLC

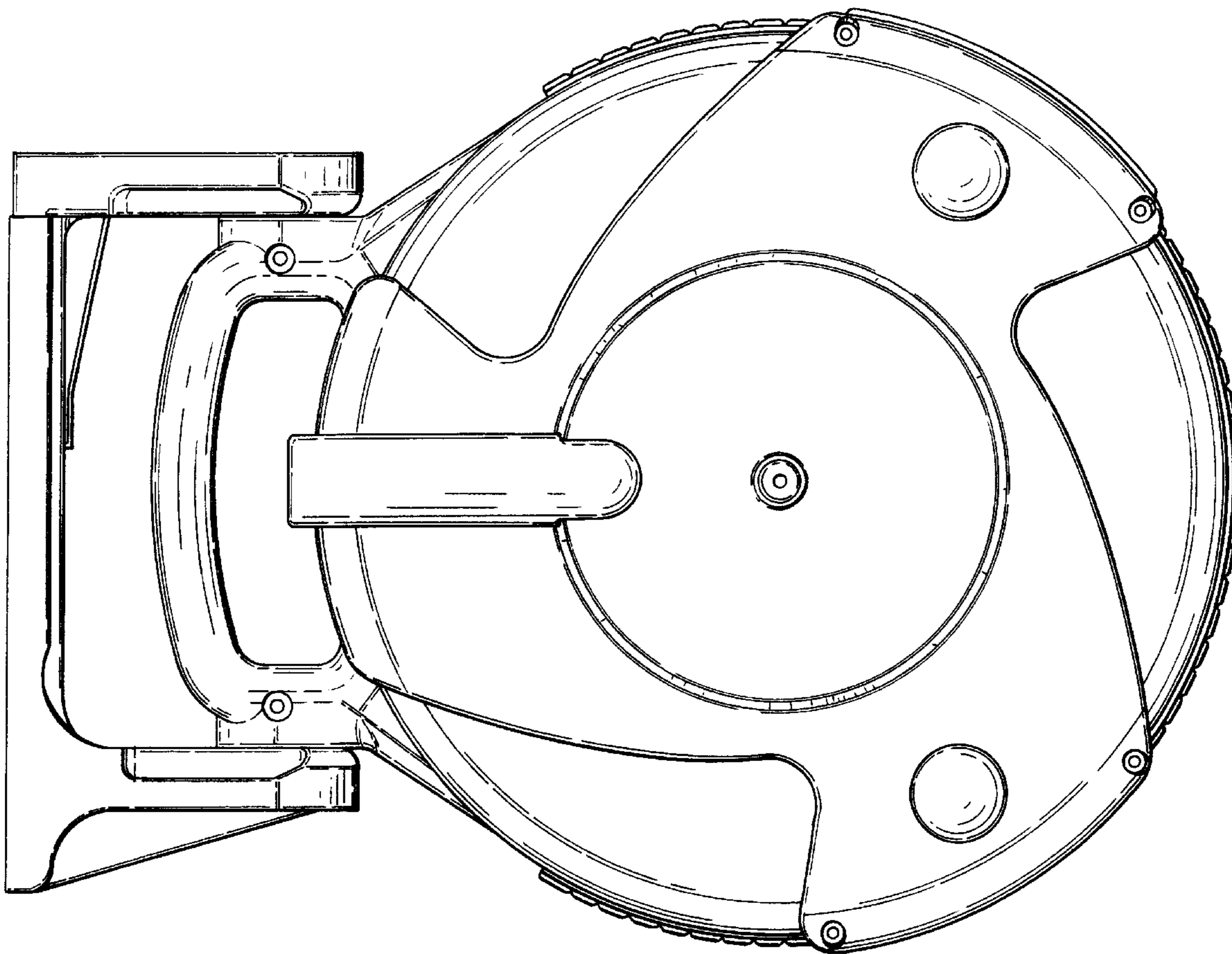
[57] **CLAIM**

We claim the ornamental design for the electrical cord reel, as shown.

**DESCRIPTION**

FIG. 1 is a front elevation view of the electrical cord reel of the present invention;  
FIG. 2 is a rear elevation view thereof;  
FIG. 3 is a top plan view thereof;  
FIG. 4 is a bottom plan view thereof;  
FIG. 5 is a right side elevation view thereof; and,  
FIG. 6 is a left side elevation view thereof.

**1 Claim, 4 Drawing Sheets**



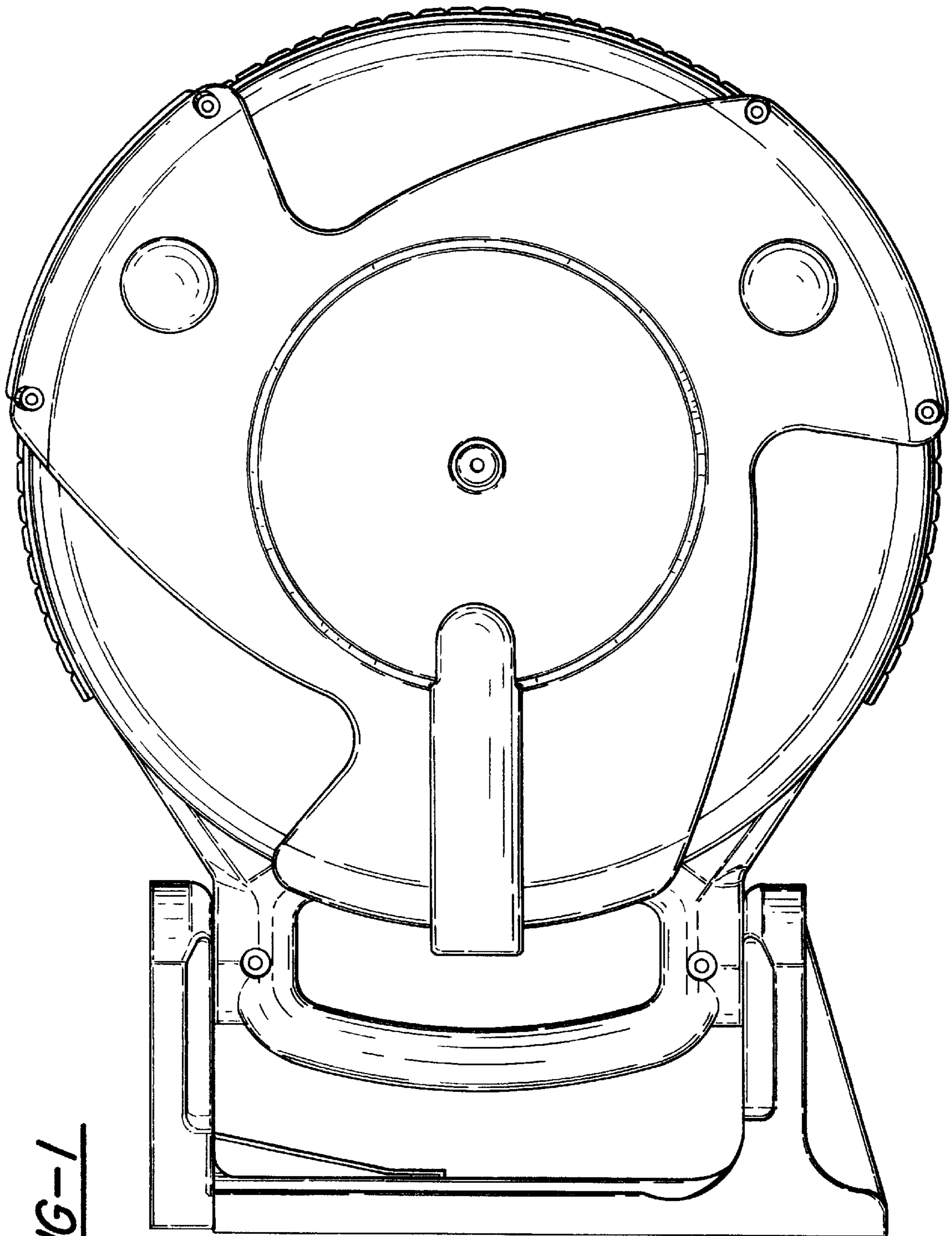


FIG-1

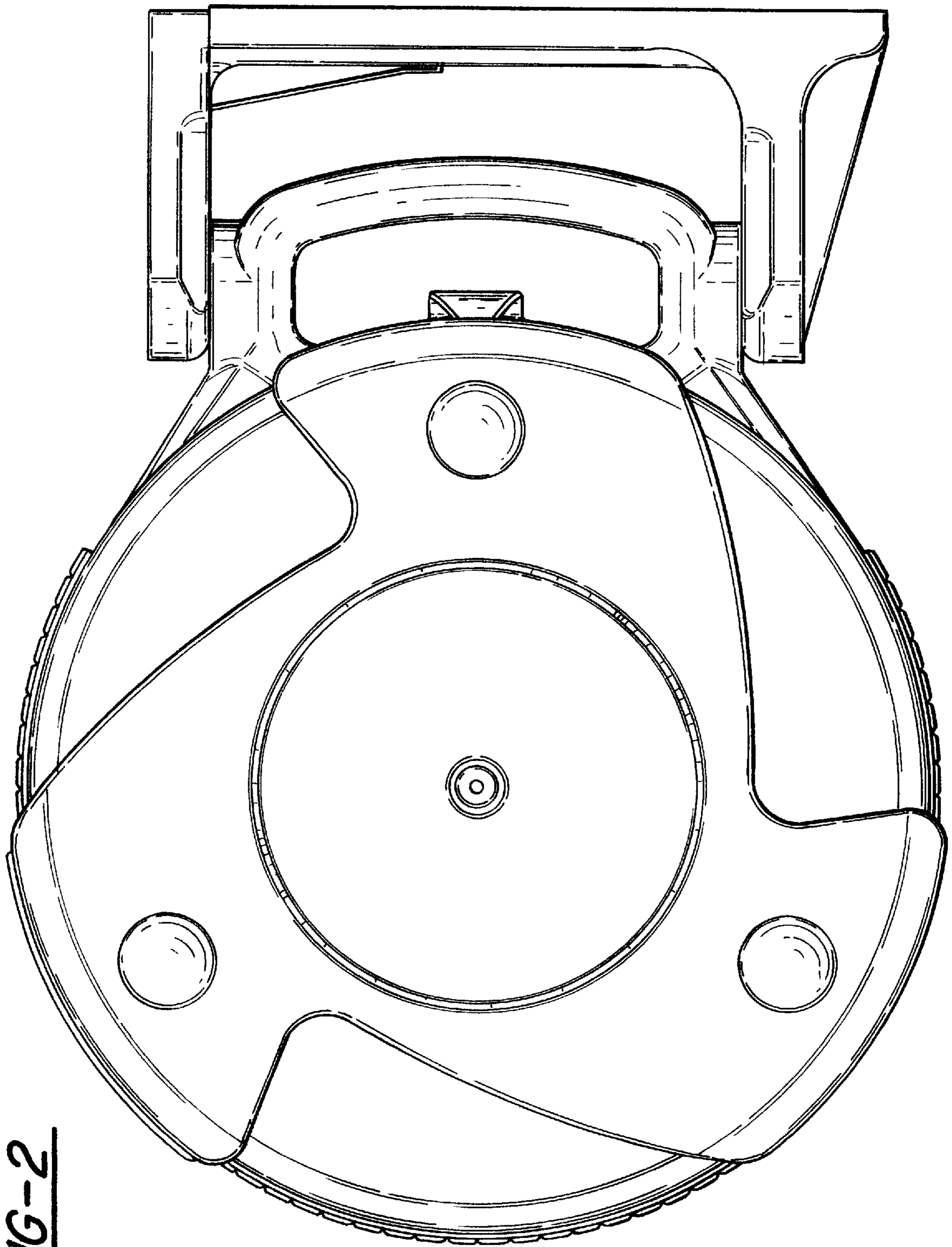


FIG-2



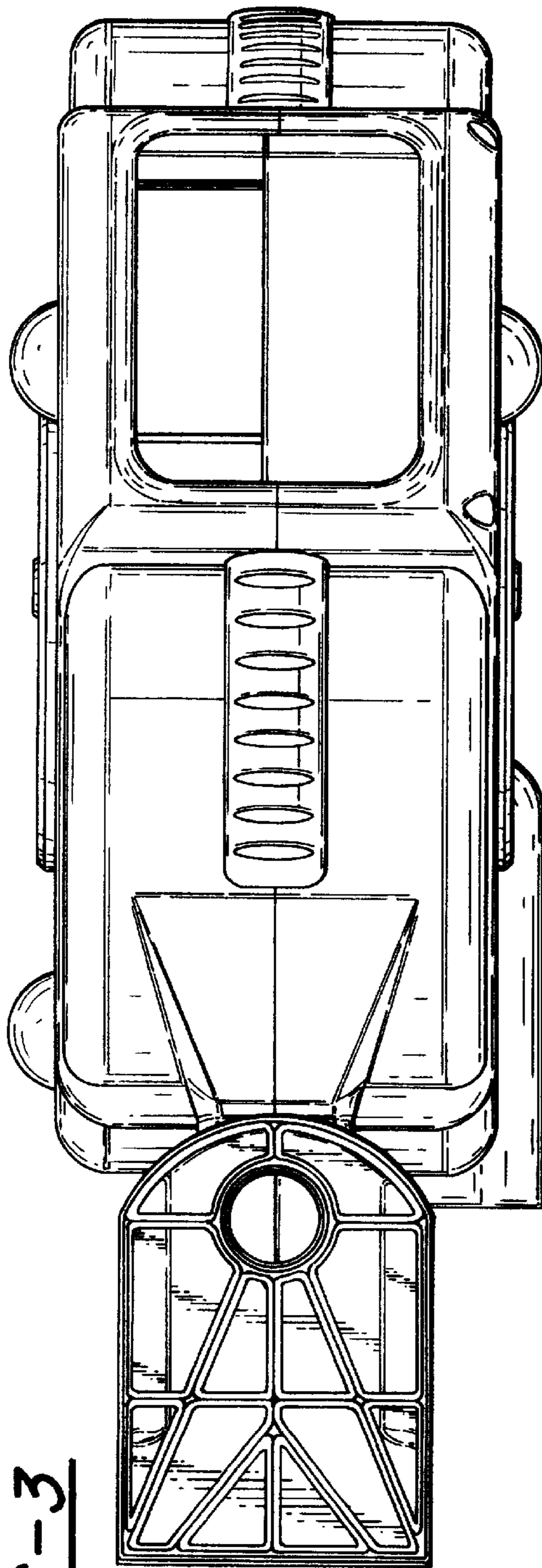


FIG-3

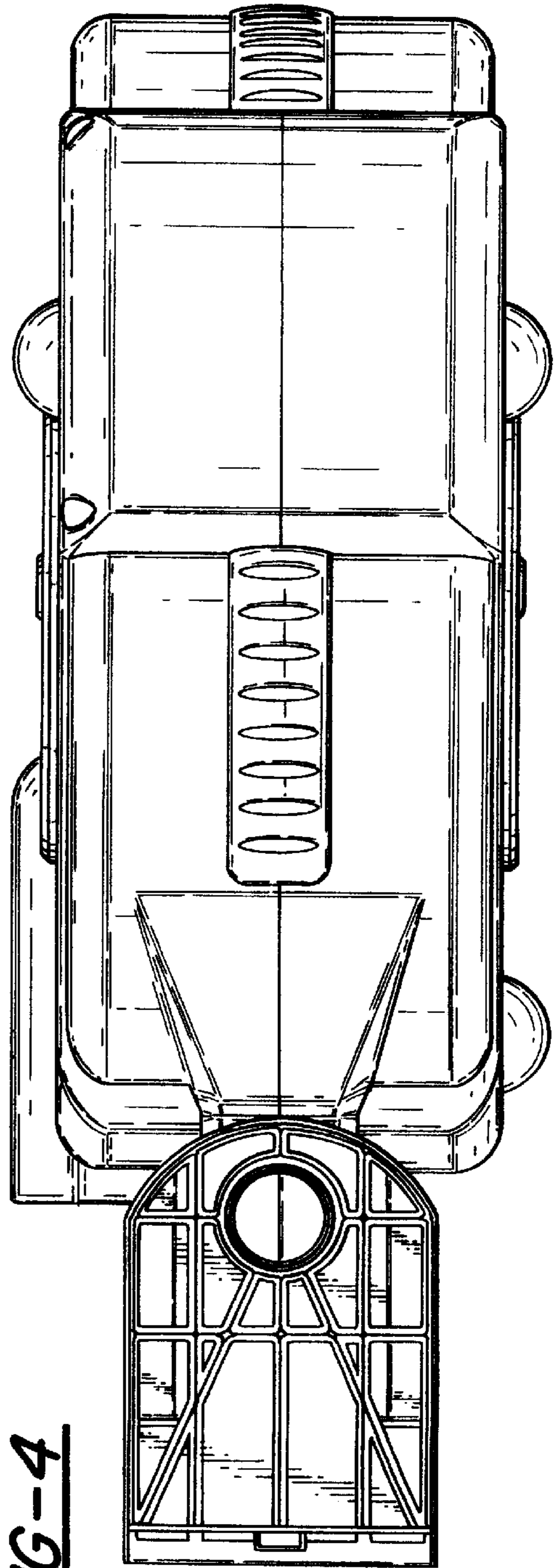


FIG-4

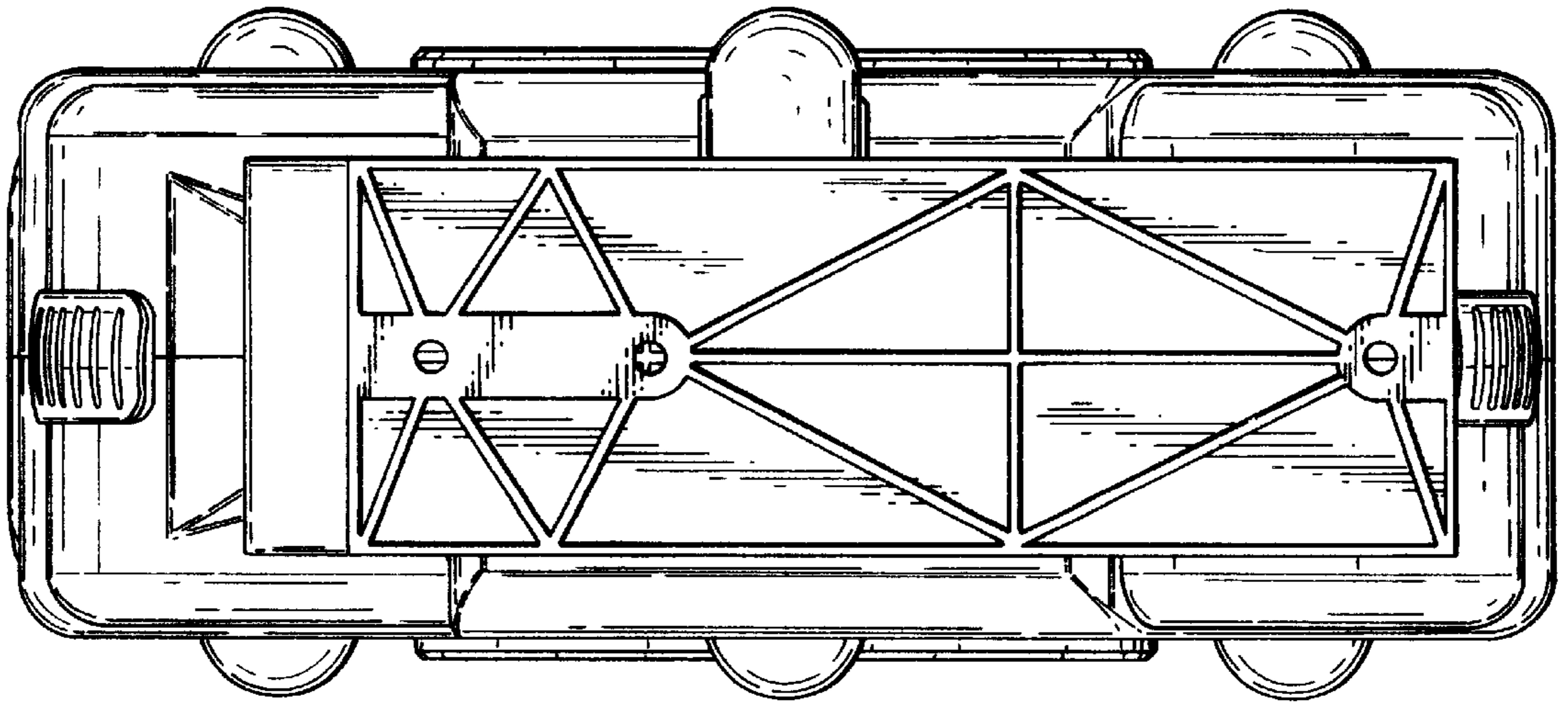


FIG-6

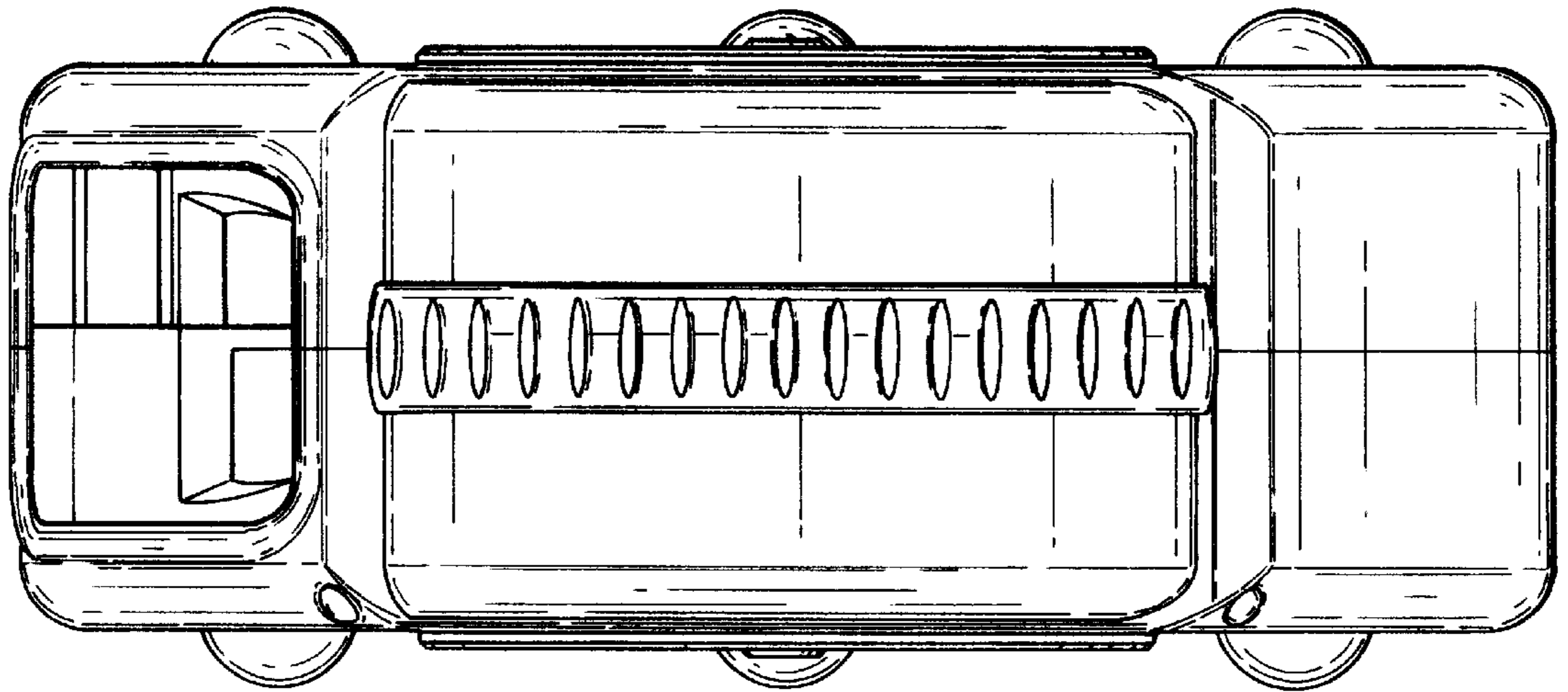


FIG-5