



US00D431178S

United States Patent [19]
Hong

[11] **Patent Number: Des. 431,178**

[45] **Date of Patent: ** Sep. 26, 2000**

[54] **KITE REEL**

DESCRIPTION

[76] Inventor: **Sunho Hong**, 15 Chesterfield, M.V., Calif. 92626-5134

FIG. 1 is a perspective view of a first embodiment of a kite reel of my present invention;

[**] Term: **14 Years**

FIG. 2 is a front elevational view of FIG. 1; the rear elevational view being a mirror image thereof;

[21] Appl. No.: **29/101,604**

FIG. 3 is a top plan view of FIG. 1, rotated 45 degrees; the bottom plan view being a mirror image thereof;

[22] Filed: **Mar. 4, 1999**

FIG. 4 is a left end view of FIG. 1;

[51] **LOC (7) Cl.** **08-05**

FIG. 5 is a right end view of FIG. 1;

[52] **U.S. Cl.** **D8/358**

FIG. 6 is a perspective view of a second embodiment of the design of my present invention;

[58] **Field of Search** D8/358; 244/155 R; 242/129.5-129.6, 129.7, 129.62, 118.62, 118.4, 405, 405.1

FIG. 7 is a front elevational view of FIG. 6; the rear elevational view being a mirror image thereof;

[56] **References Cited**

U.S. PATENT DOCUMENTS

- D. 165,269 11/1951 Cordell D8/358
- D. 396,404 7/1998 Hong .

FIG. 8 is a top plan view of FIG. 7, rotated 45 degrees; the bottom plan view being a mirror image thereof;

FIG. 9 is a left end view of FIG. 6;

FIG. 10 is a right end view of FIG. 6;

Primary Examiner—Holly Baynham
Attorney, Agent, or Firm—James G. O'Neill

FIG. 11 is a perspective view of a third embodiment of the kite reel of my present invention;

FIG. 12 is a front elevational view of FIG. 11; the rear elevational view being a mirror image thereof;

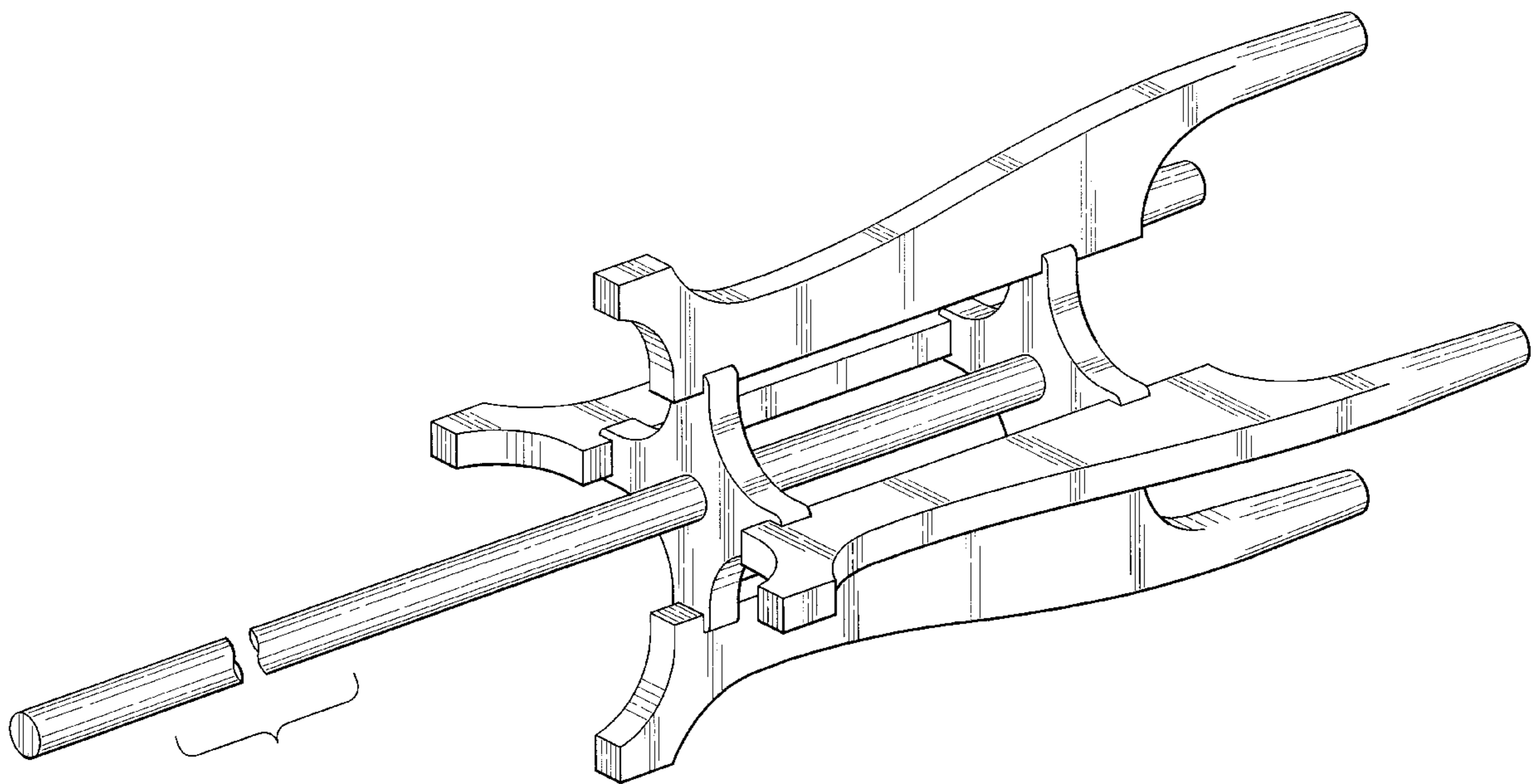
FIG. 13 is a left end view of FIG. 12; and,

FIG. 14 is a right end view of FIG. 12.

[57] **CLAIM**

The ornamental design for a kite reel, as shown and described.

1 Claim, 9 Drawing Sheets



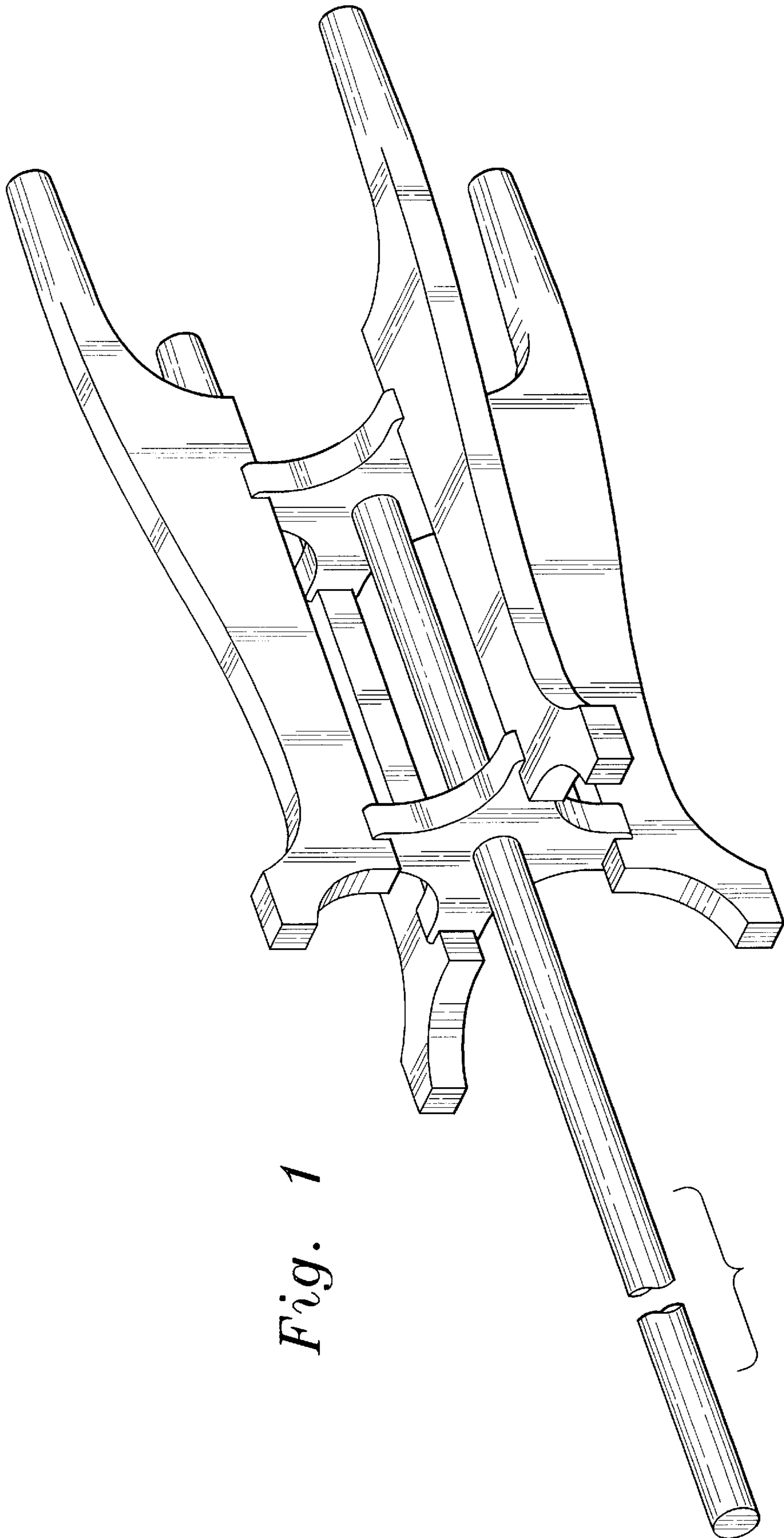


Fig. 1

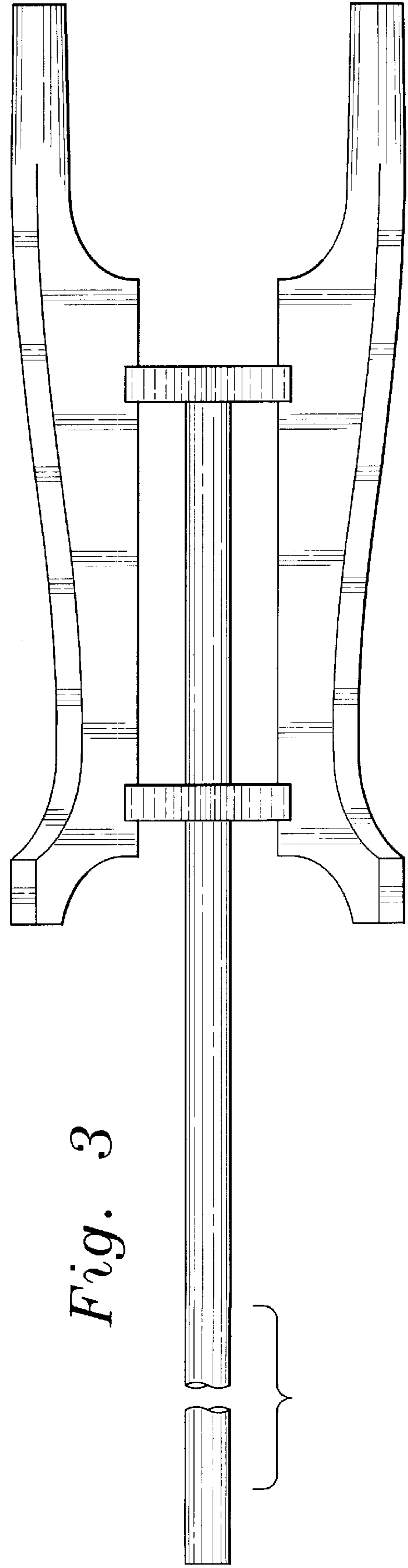
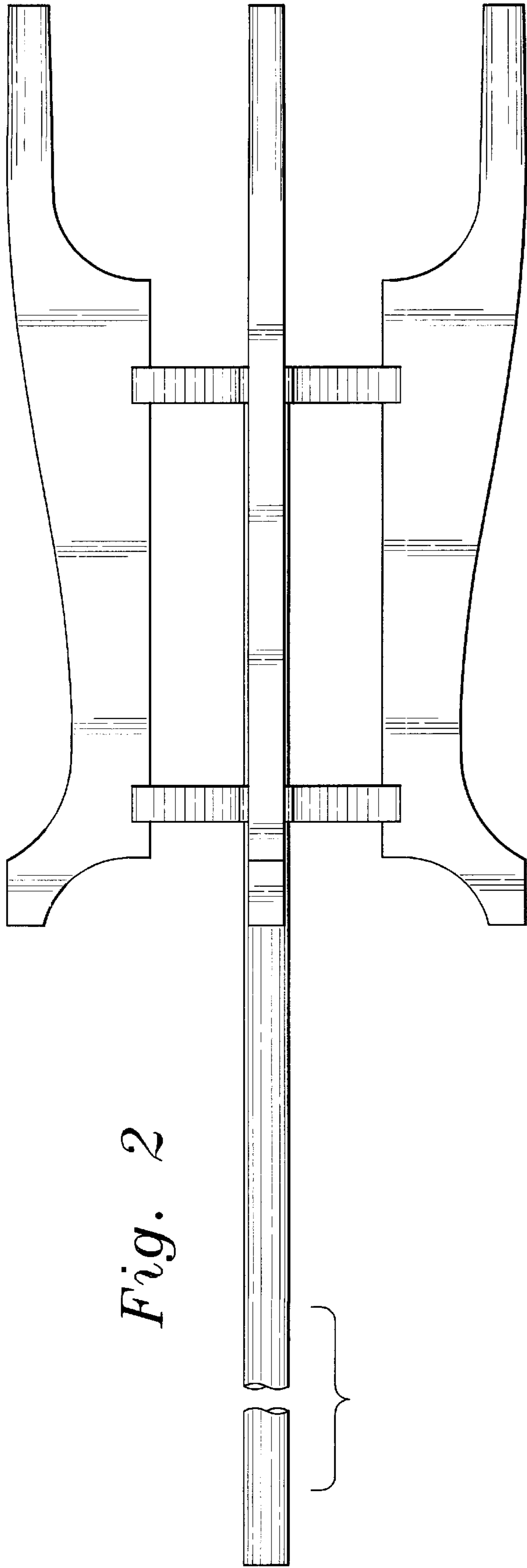


Fig. 4

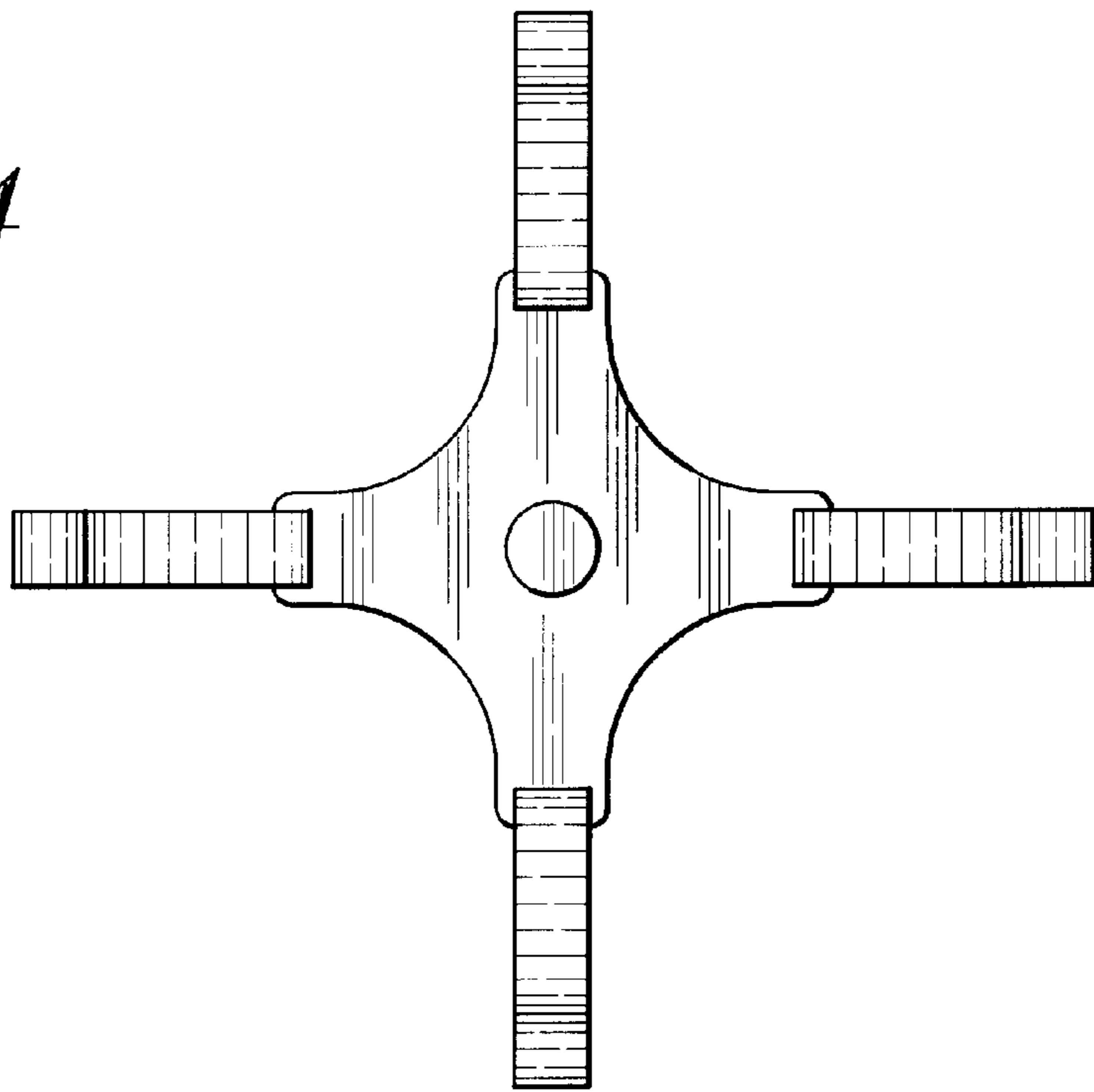
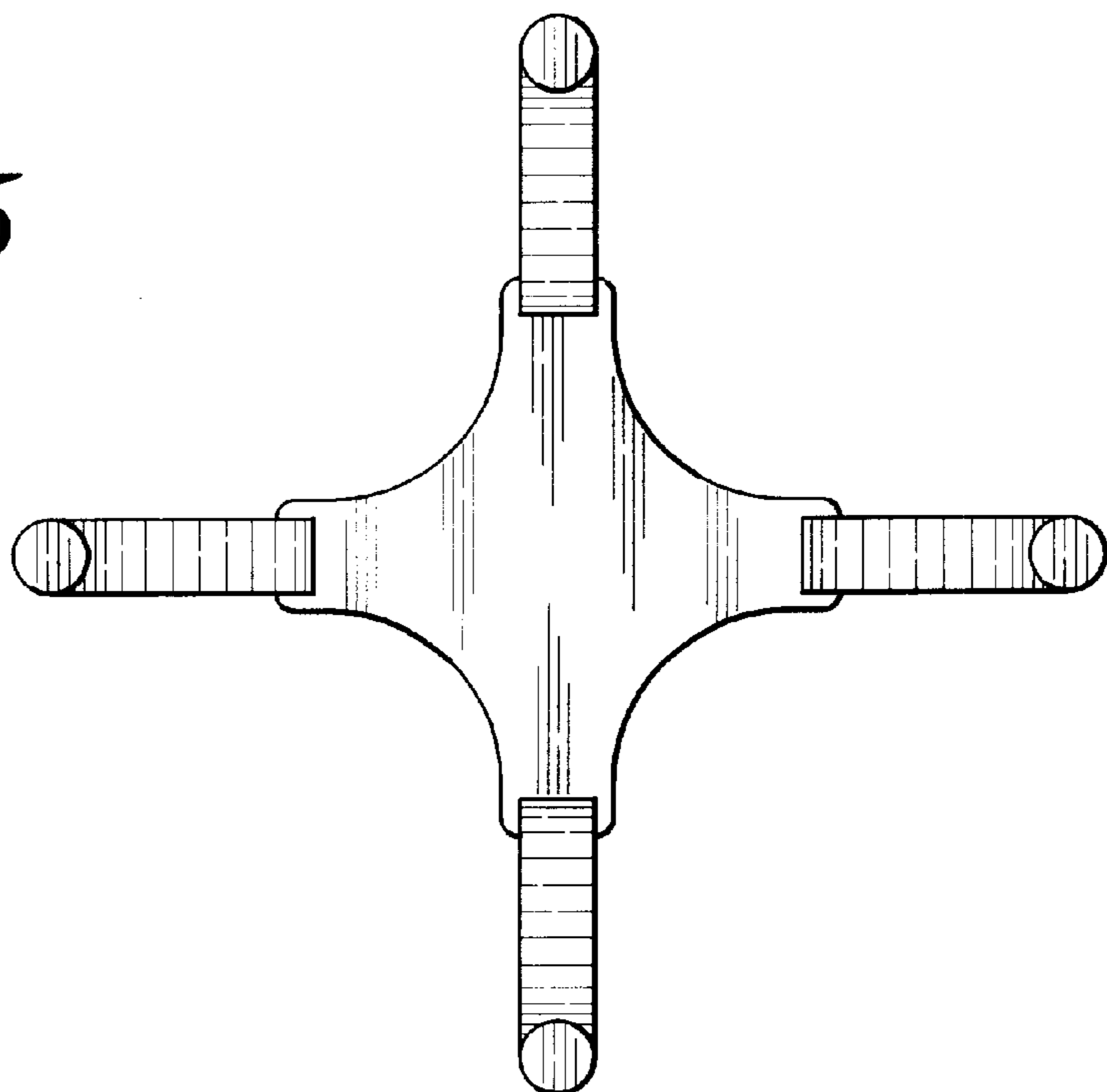


Fig. 5



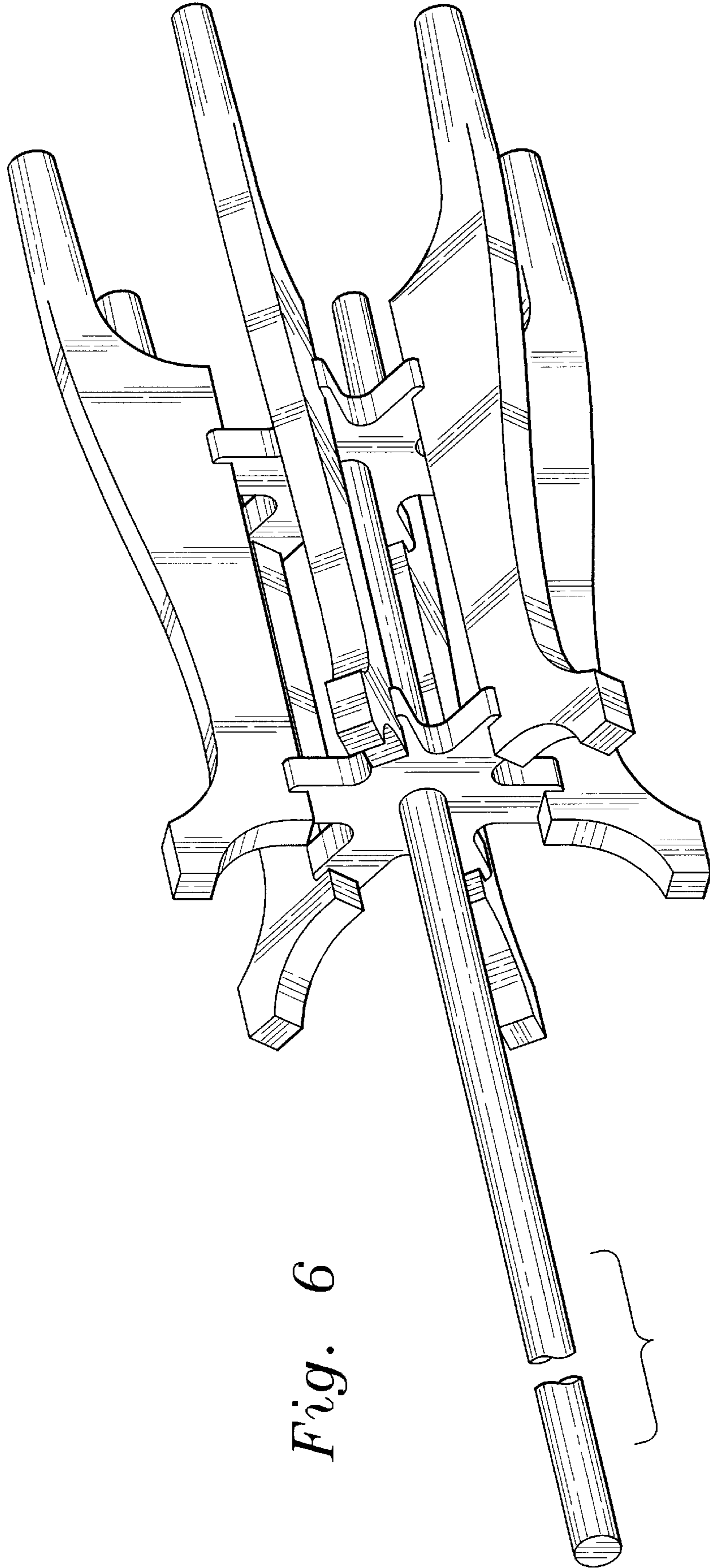


Fig. 6

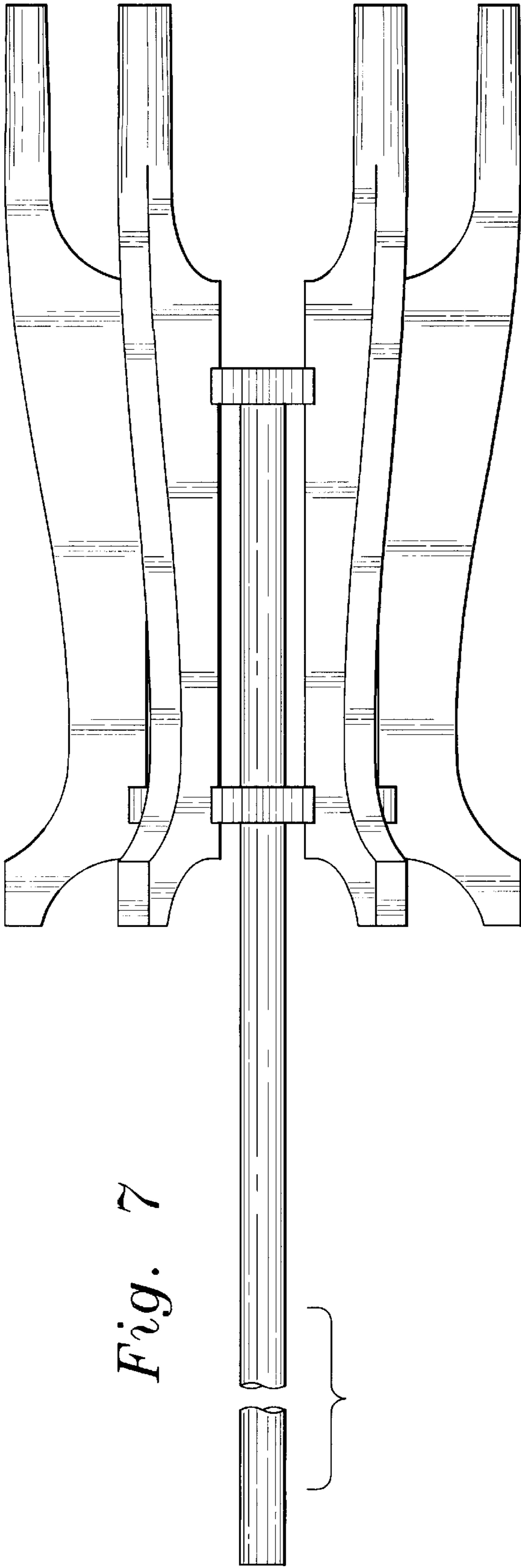


Fig. 7

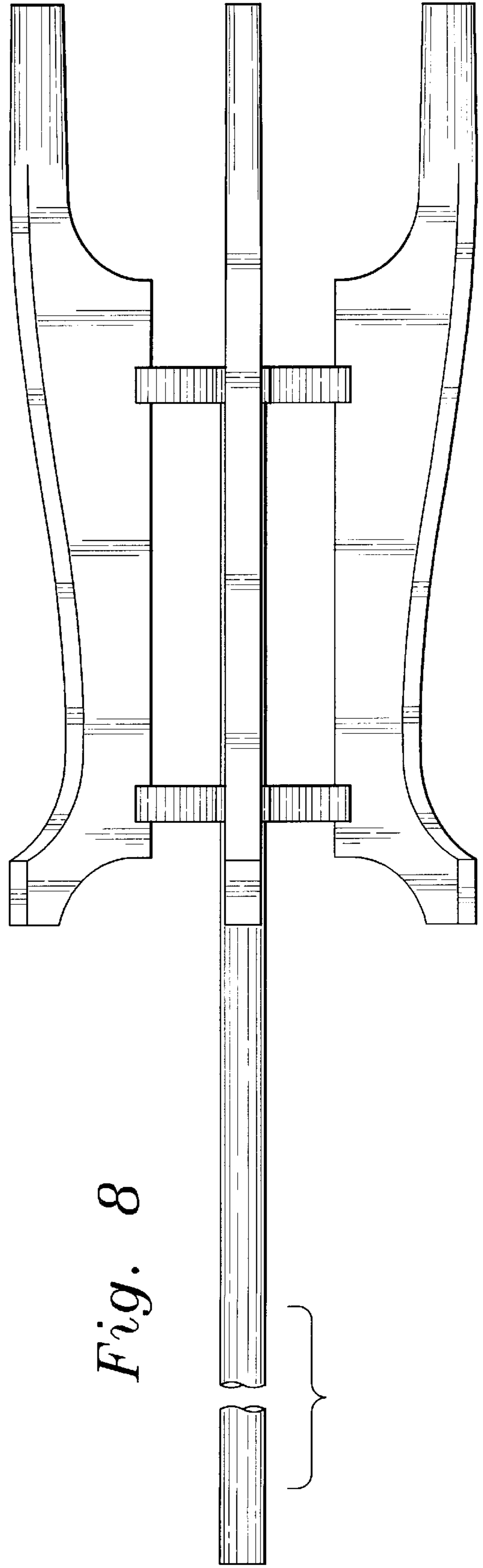


Fig. 8

Fig. 9

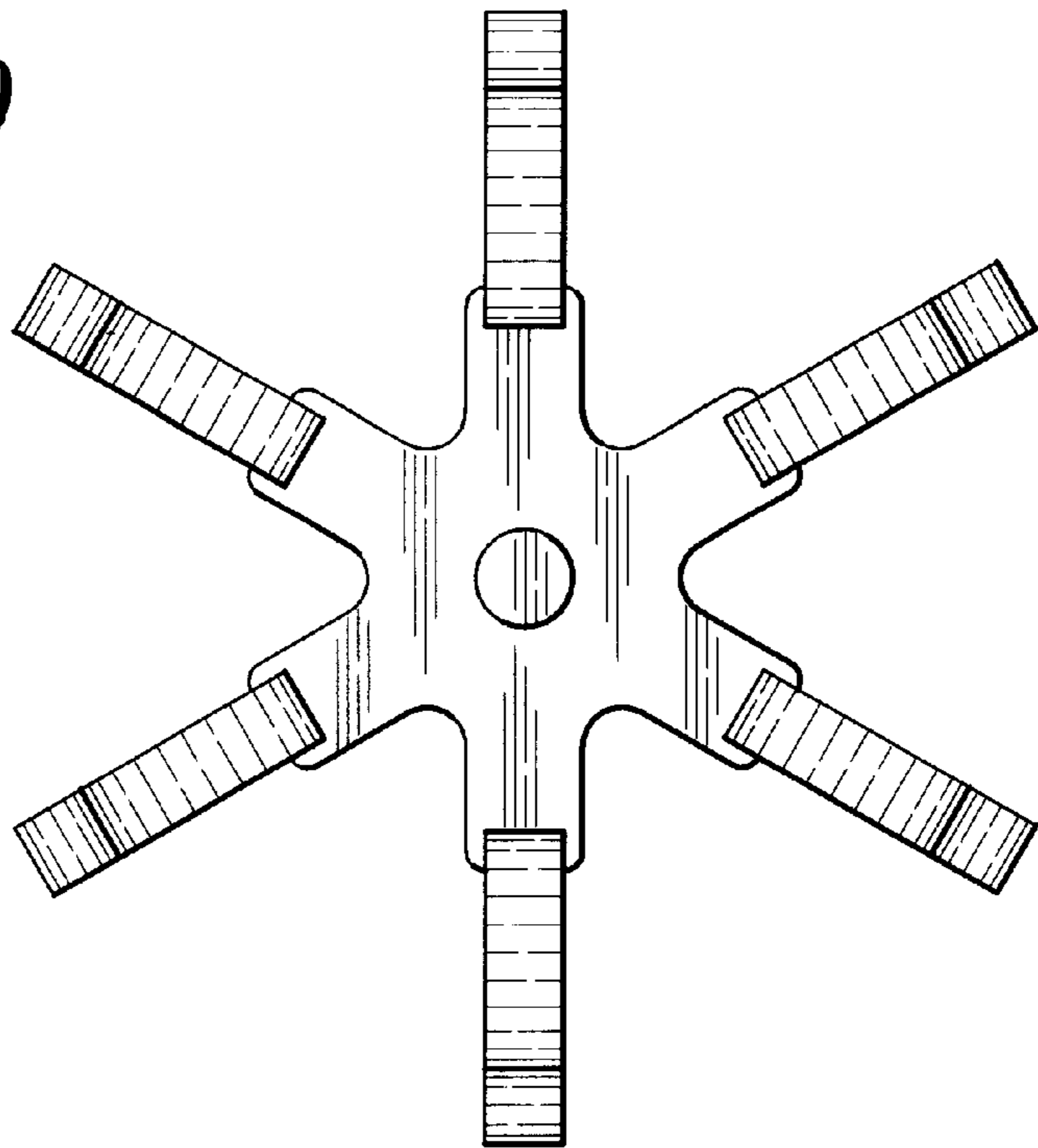
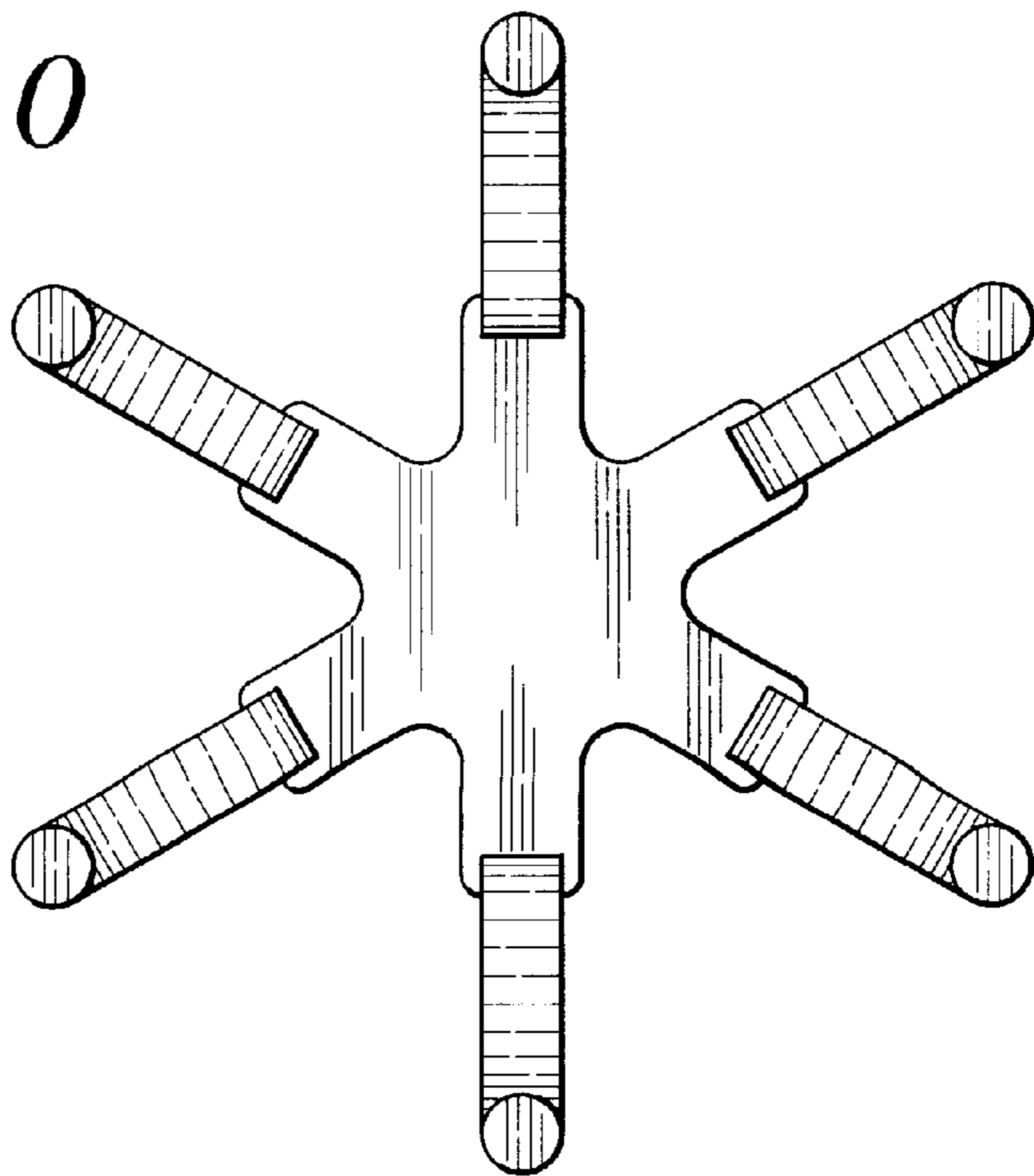


Fig. 10



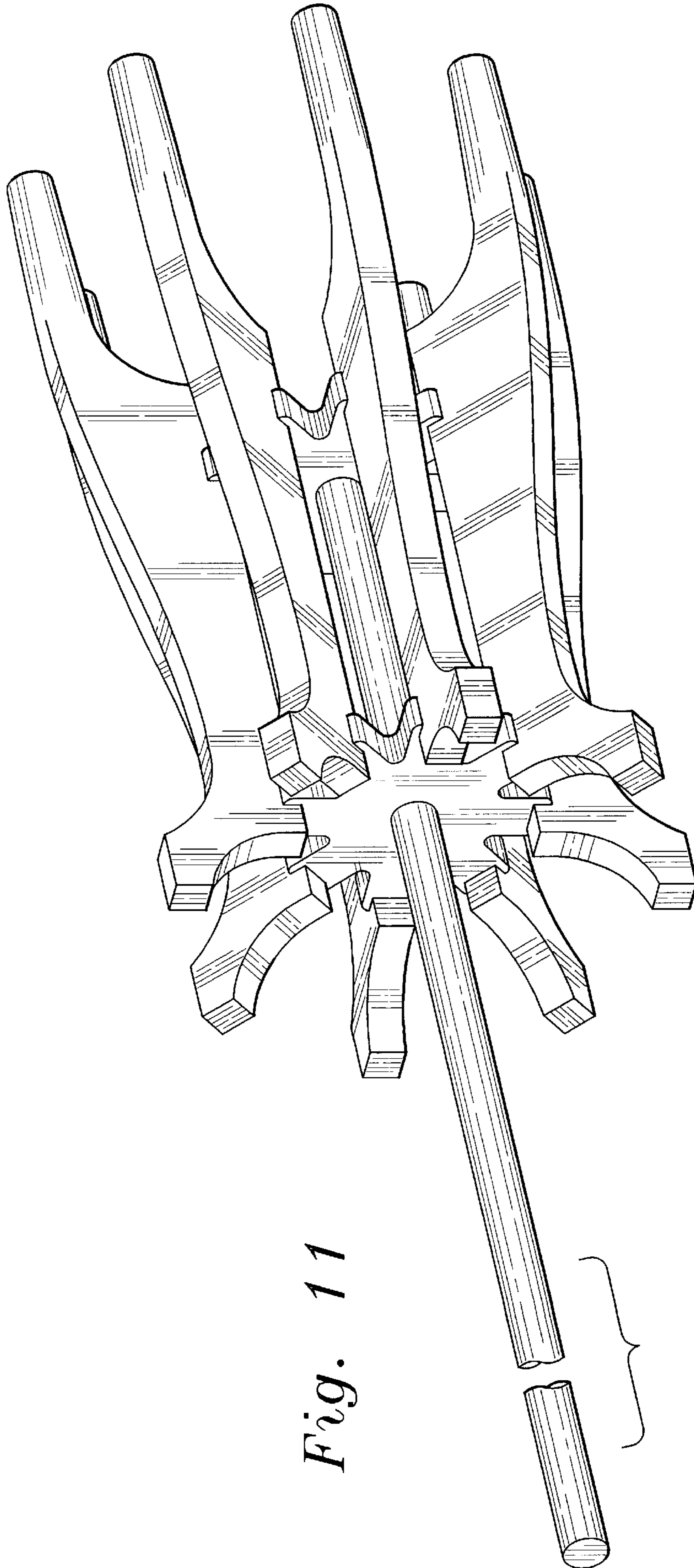


Fig. 11

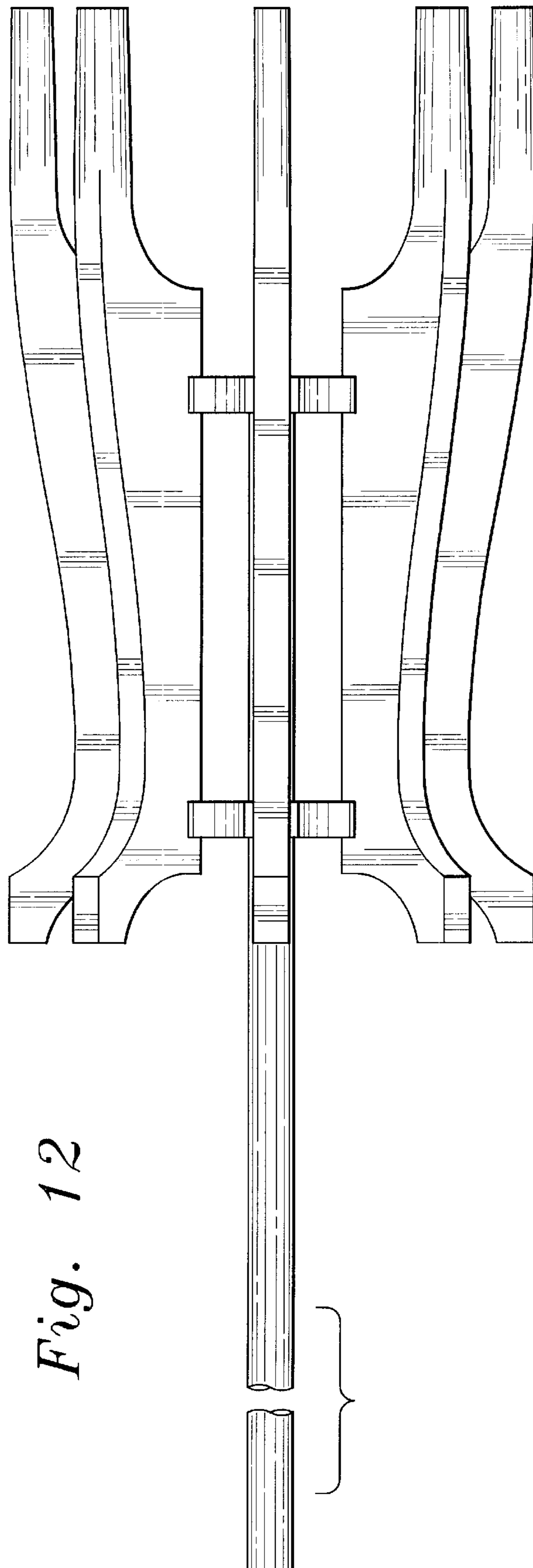


Fig. 12

Fig. 13

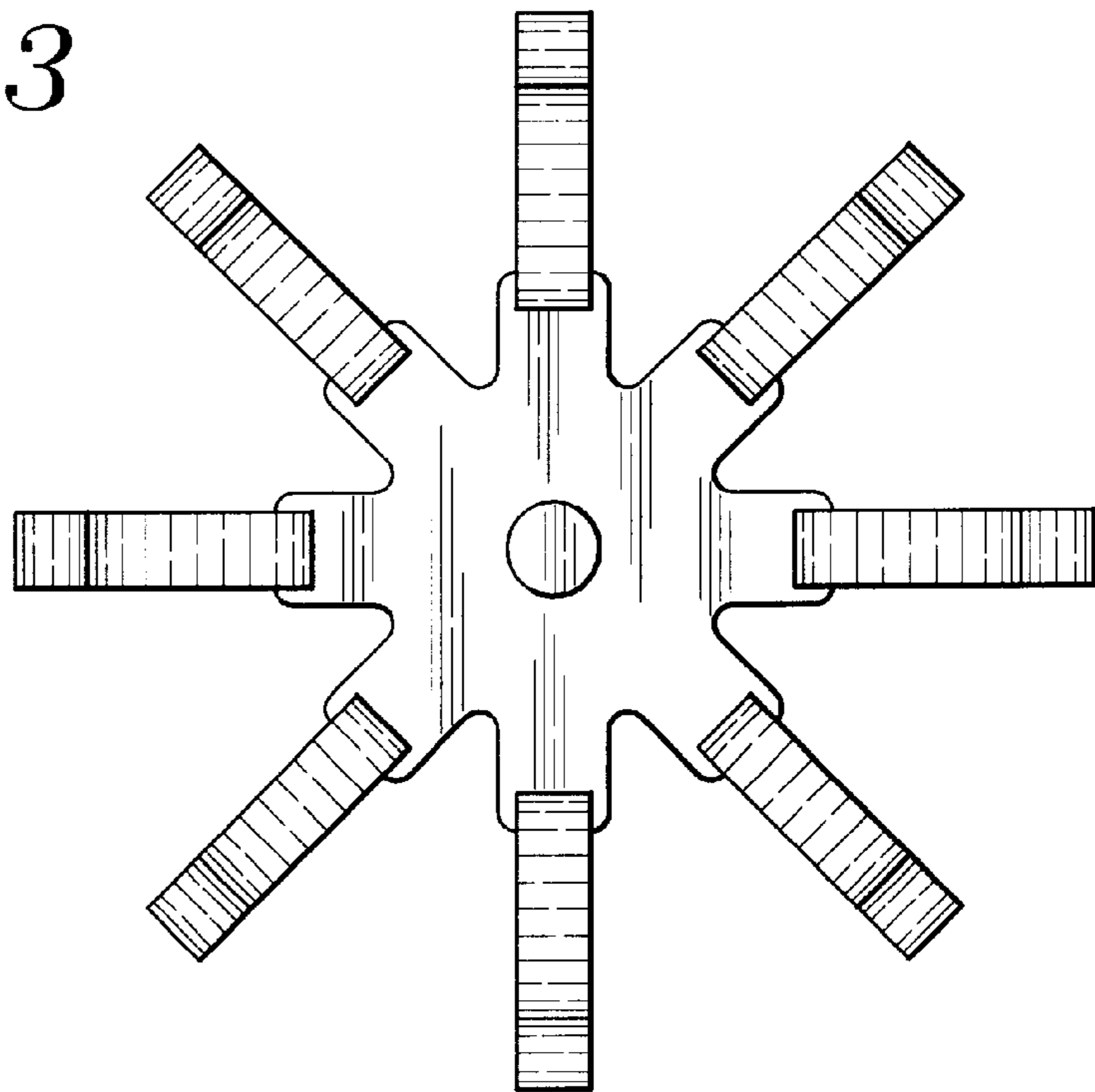


Fig. 14

