



US00D431177S

United States Patent [19]
Whipple

[11] **Patent Number: Des. 431,177**

[45] **Date of Patent: ** Sep. 26, 2000**

[54] **GUY WIRE ANCHOR**

5,608,994 3/1997 Carter 135/118 R

[76] Inventor: **Gaylord C. Whipple**, 12012 Skyline Dr., Santa Ana, Calif. 92705

Primary Examiner—Holly Baynham
Attorney, Agent, or Firm—Harold L. Jackson

[**] Term: **14 Years**

[57] **CLAIM**

[21] Appl. No.: **29/114,293**

The ornamental design for a guy wire anchor, as shown and described.

[22] Filed: **Nov. 18, 1999**

DESCRIPTION

[51] **LOC (7) Cl.** **08-05**

[52] **U.S. Cl.** **D8/354**

[58] **Field of Search** D8/349, 354; 52/163, 52/162; 135/118

FIG. 1 is a top plan view of the guy wire anchor;
FIG. 2 is a bottom plan view of the anchor of FIG. 1;
FIG. 3 is a front elevational view of the anchor of FIG. 1;
FIG. 4 is a left side elevational view of the anchor of FIG. 1;
FIG. 5 is a right side elevational view of the anchor of FIG. 1; and,
FIG. 6 is a rear view of the anchor of FIG. 1.

[56] **References Cited**

U.S. PATENT DOCUMENTS

5,058,337 10/1991 O'Connor 52/162
5,175,966 1/1993 Remke et al. 52/163

1 Claim, 1 Drawing Sheet

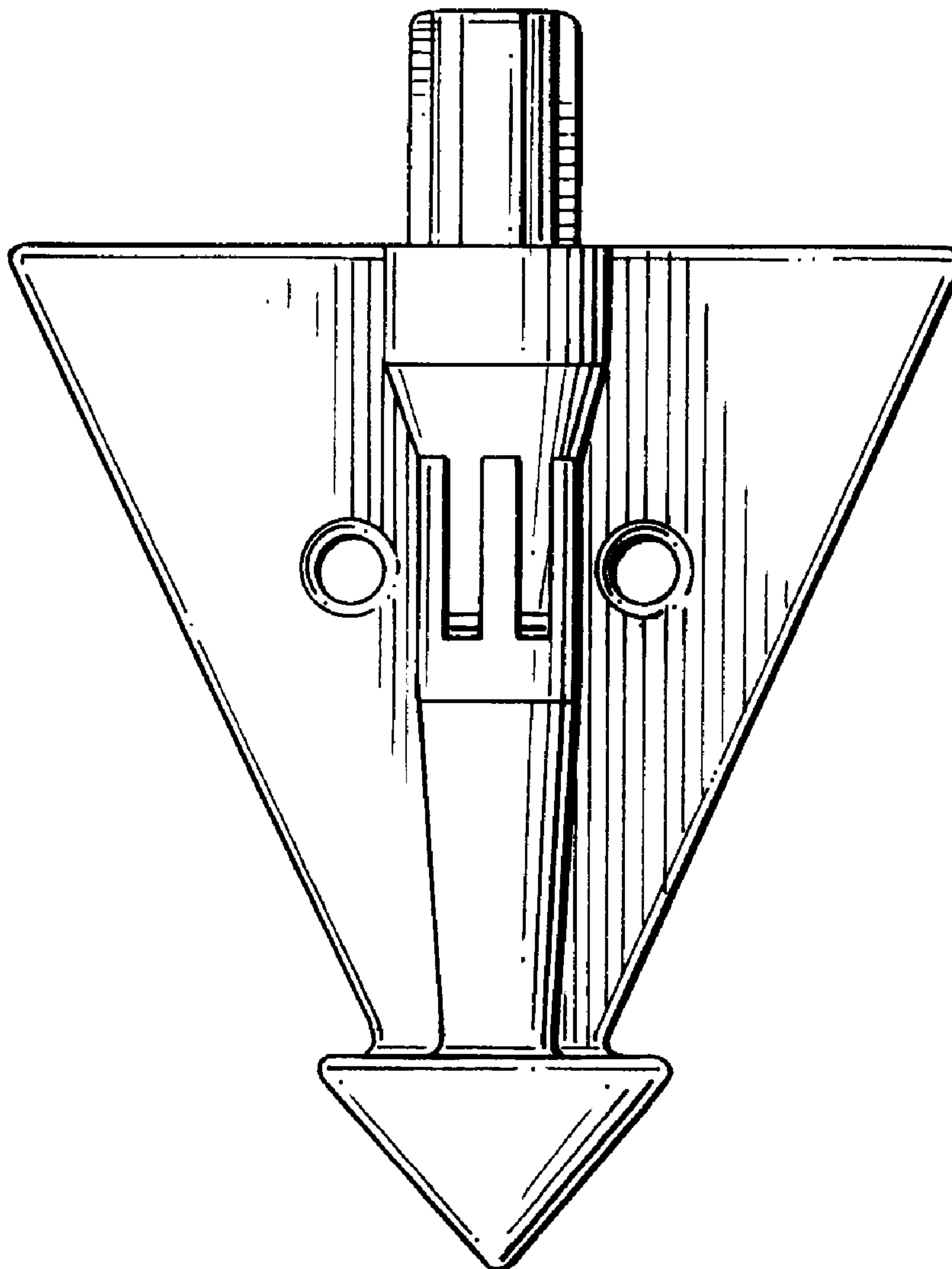


FIG. 1



FIG. 2

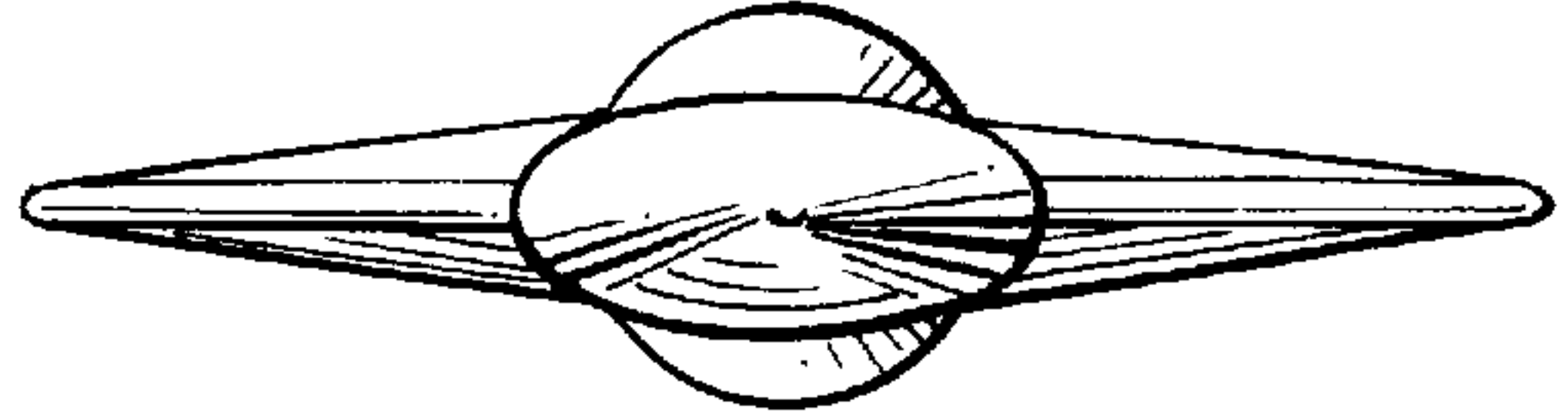


FIG. 4

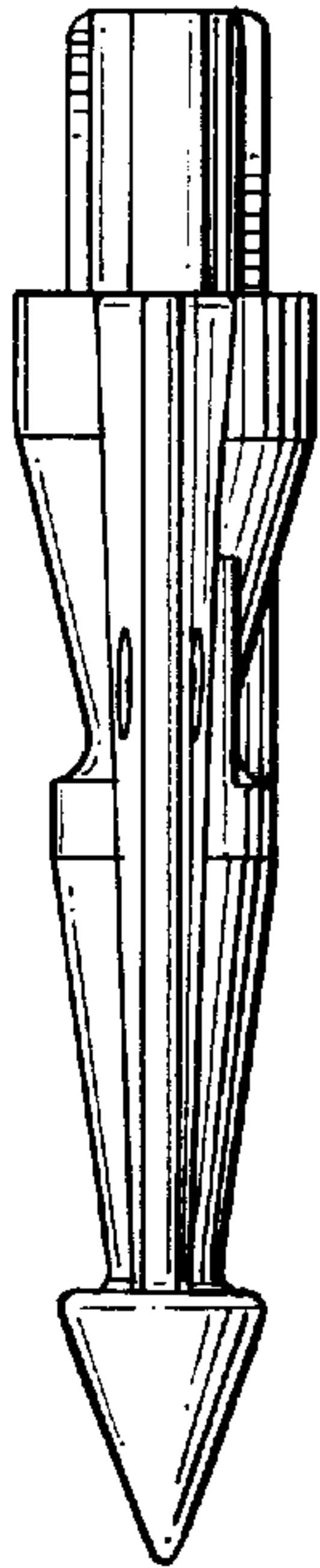


FIG. 3

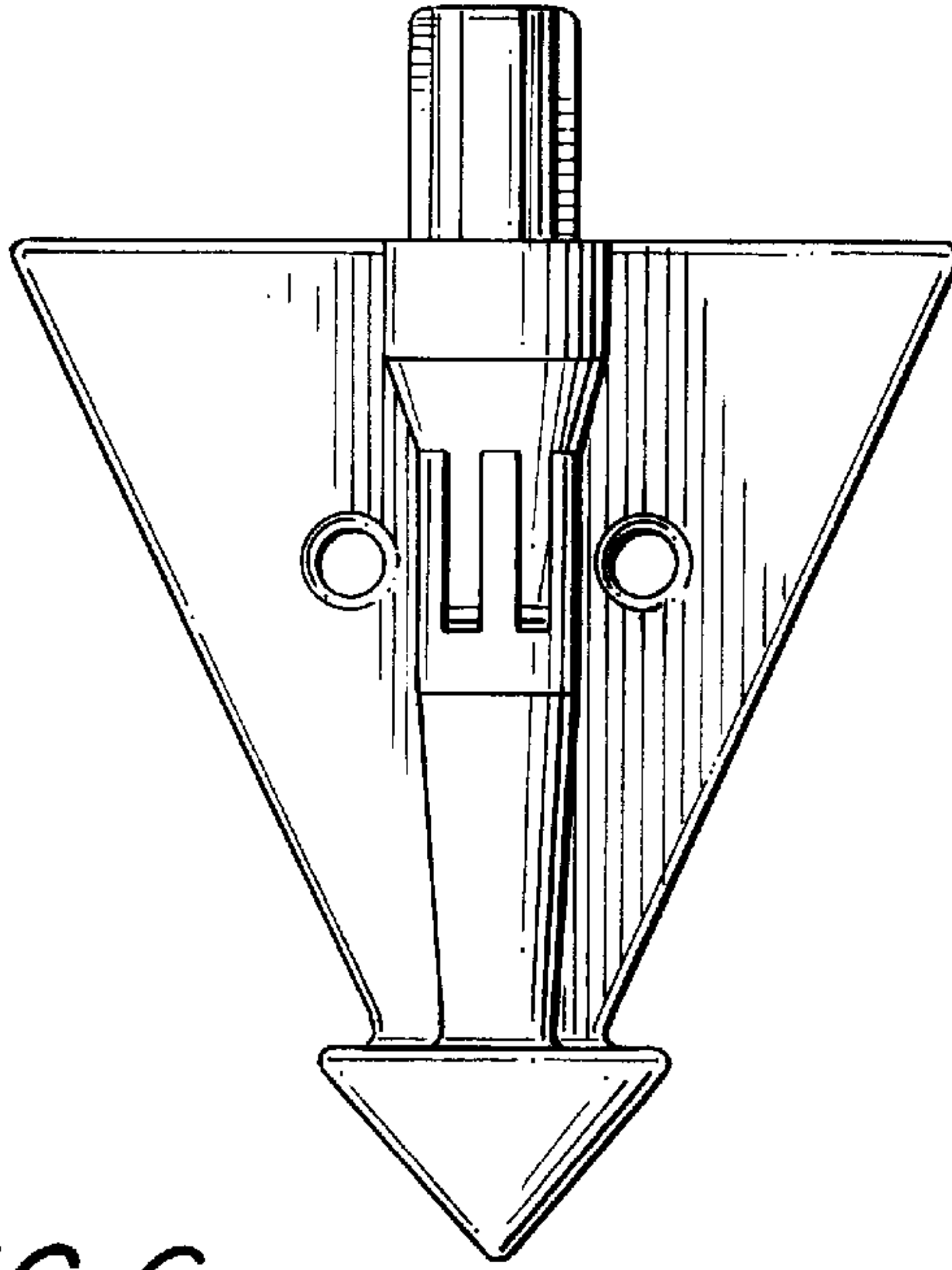


FIG. 5

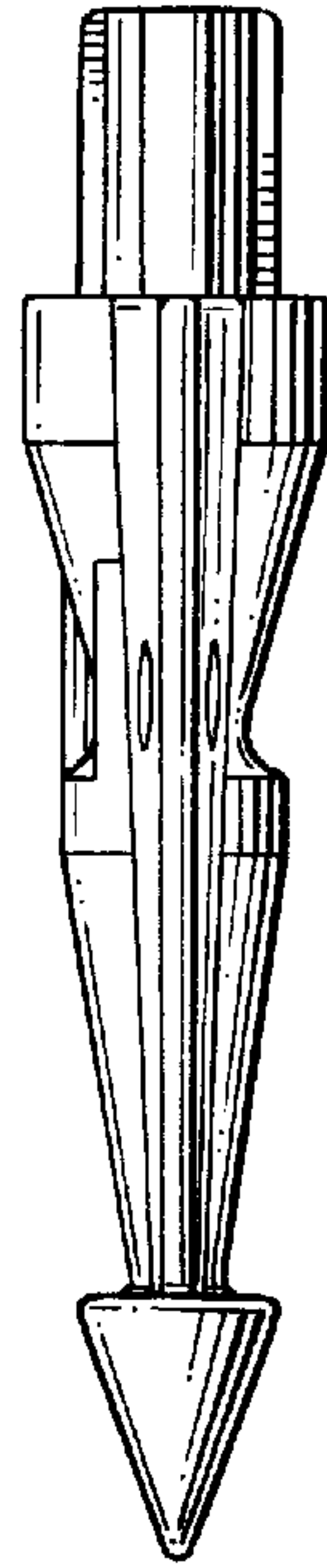


FIG. 6

