



US00D431176S

# United States Patent [19]

[11] Patent Number: Des. 431,176

Zarnoti et al.

[45] Date of Patent: \*\* Sep. 26, 2000

## [54] FINISHED SUPPORT

[75] Inventors: **Gabor L. Zarnoti**, San Antonio, Tex.;  
**Sandor J. Zarnoti**, Marathon, Fla.;  
**Patrick D. Jarrett**, Canyon Lake, Tex.

[73] Assignee: **Forex, Ltd.**, San Antonio, Tex.

[\*\*] Term: **14 Years**

[21] Appl. No.: **29/113,464**

[22] Filed: **Nov. 8, 1999**

[51] LOC (7) Cl. .... **08-05**

[52] U.S. Cl. .... **D8/354**

[58] Field of Search ..... D8/349; 248/346.01,  
248/346.02, 188.1, 678

## [56] References Cited

### U.S. PATENT DOCUMENTS

D. 411,509	6/1999	Schlegel .....	D8/349
3,046,843	7/1962	Rowe .....	248/346.02
4,212,446	7/1980	Domanick et al. ....	248/678
5,966,881	10/1999	Kitagaki .....	248/346.01

Primary Examiner—Holly Baynham  
Attorney, Agent, or Firm—Gunn, Lee & Keeling

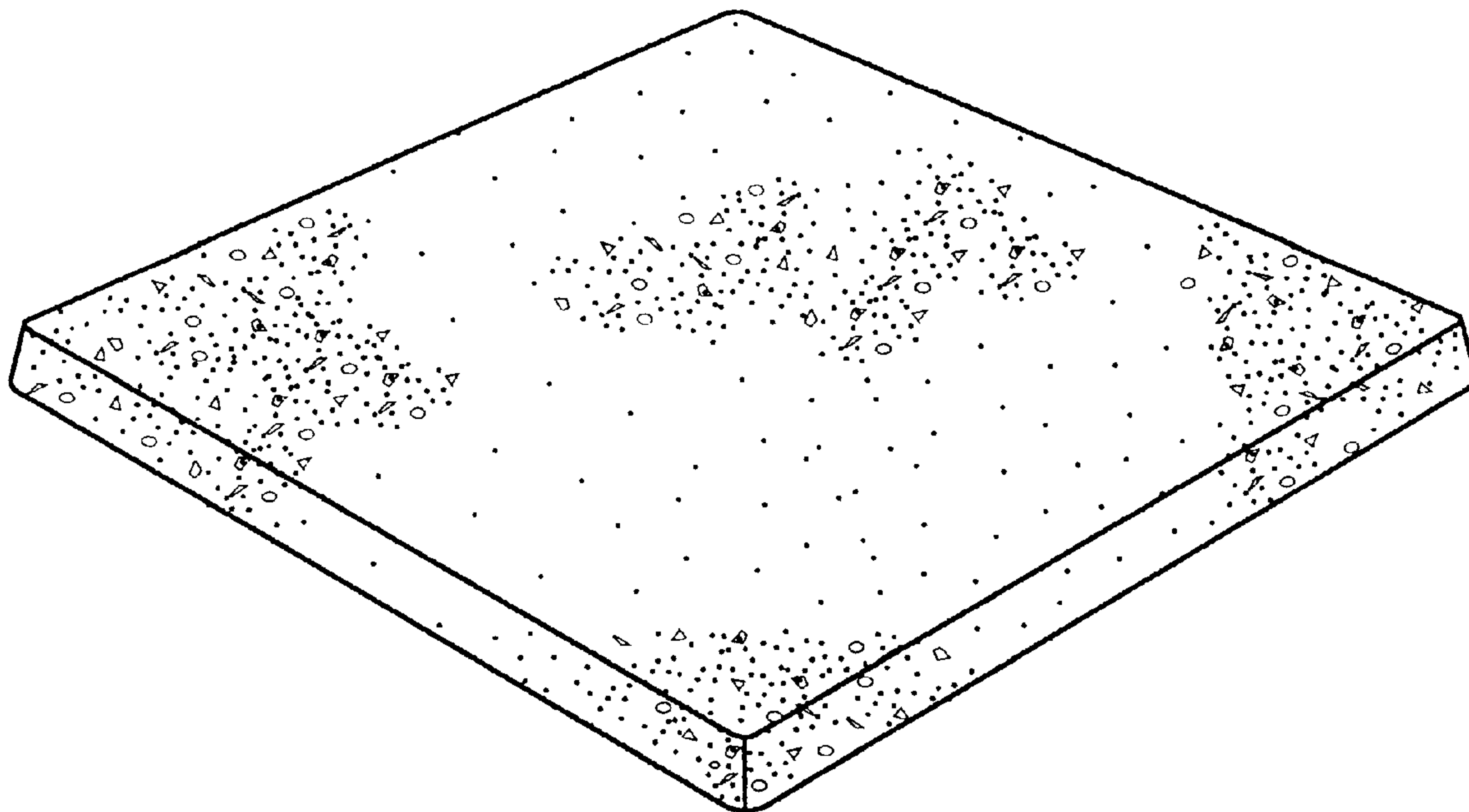
## [57] CLAIM

The ornamental design for a finished support, as shown.

### DESCRIPTION

FIG. 1 is a top perspective view of the finished support.  
 FIG. 2 is a bottom perspective view thereof.  
 FIG. 3 is a top view thereof.  
 FIG. 4 is a left side view thereof.  
 FIG. 5 is a front view thereof, shown in its environment supporting an external air conditioner.  
 FIG. 6 is a bottom view thereof.  
 FIG. 7 is a bottom perspective view of the finished support shown in its environment supporting an external air conditioner.  
 FIG. 8 is a top perspective view of the finished support.  
 FIG. 9 is a bottom perspective view thereof.  
 FIG. 10 is a top view thereof.  
 FIG. 11 is a left side view thereof.  
 FIG. 11 is a front view thereof, shown in its environment supporting an external air conditioner.  
 FIG. 13 is a bottom view thereof; and,  
 FIG. 14 is a bottom perspective view of the finished support shown in its environment supporting an external air conditioner.  
 The broken line showing of an external air conditioner is for illustrative purposes only and forms no part of the claimed design.

1 Claim, 6 Drawing Sheets



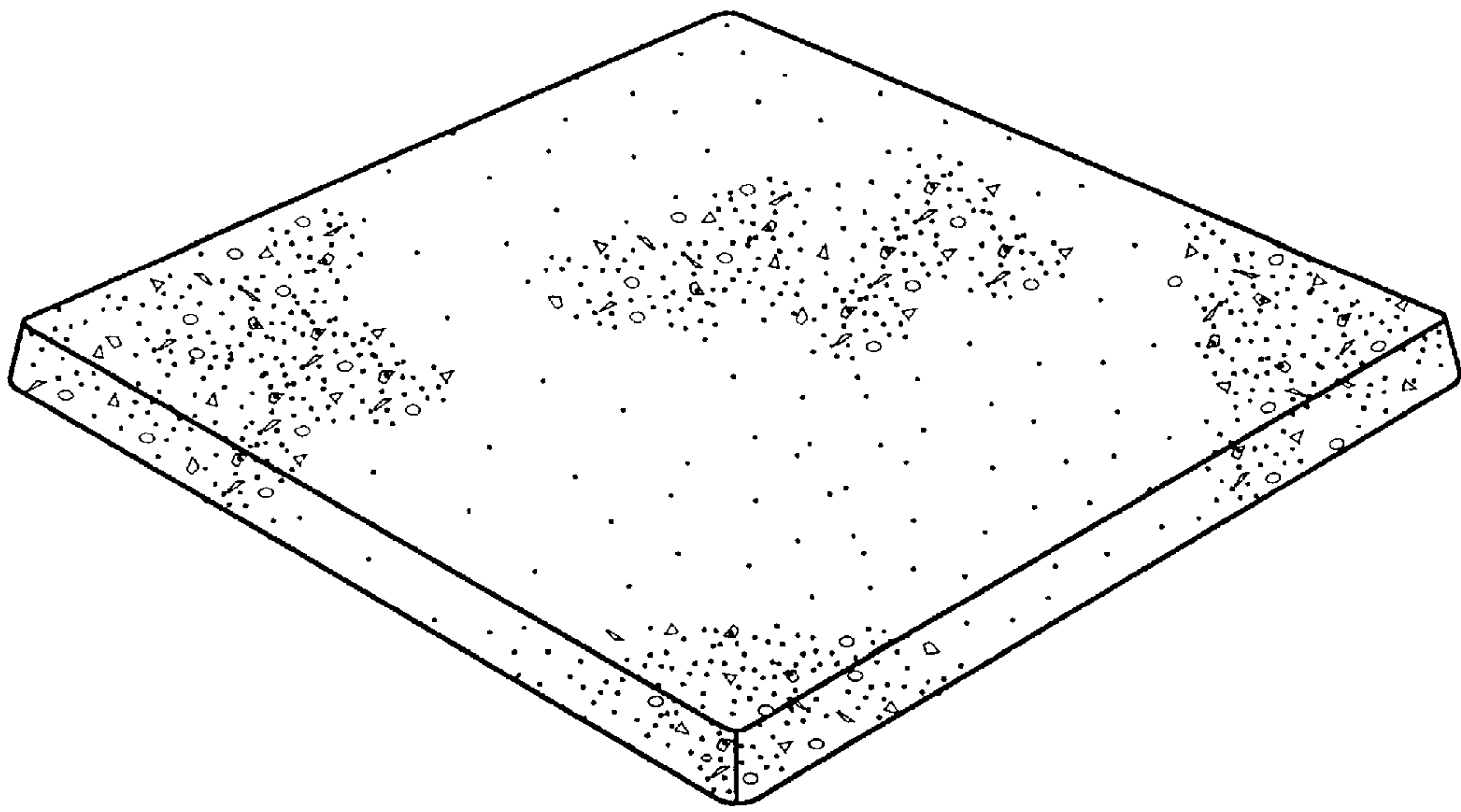


Fig. 1

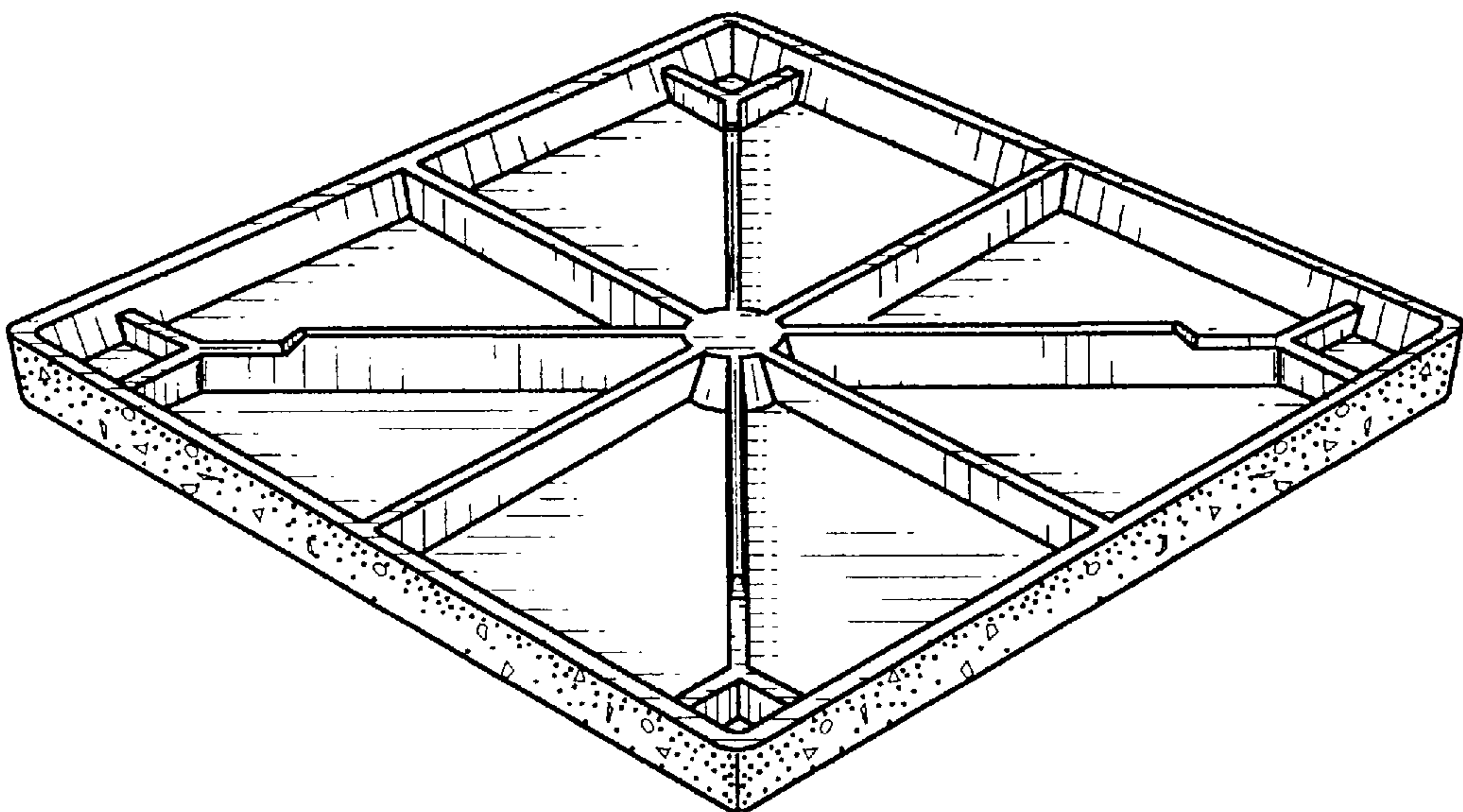


Fig. 2

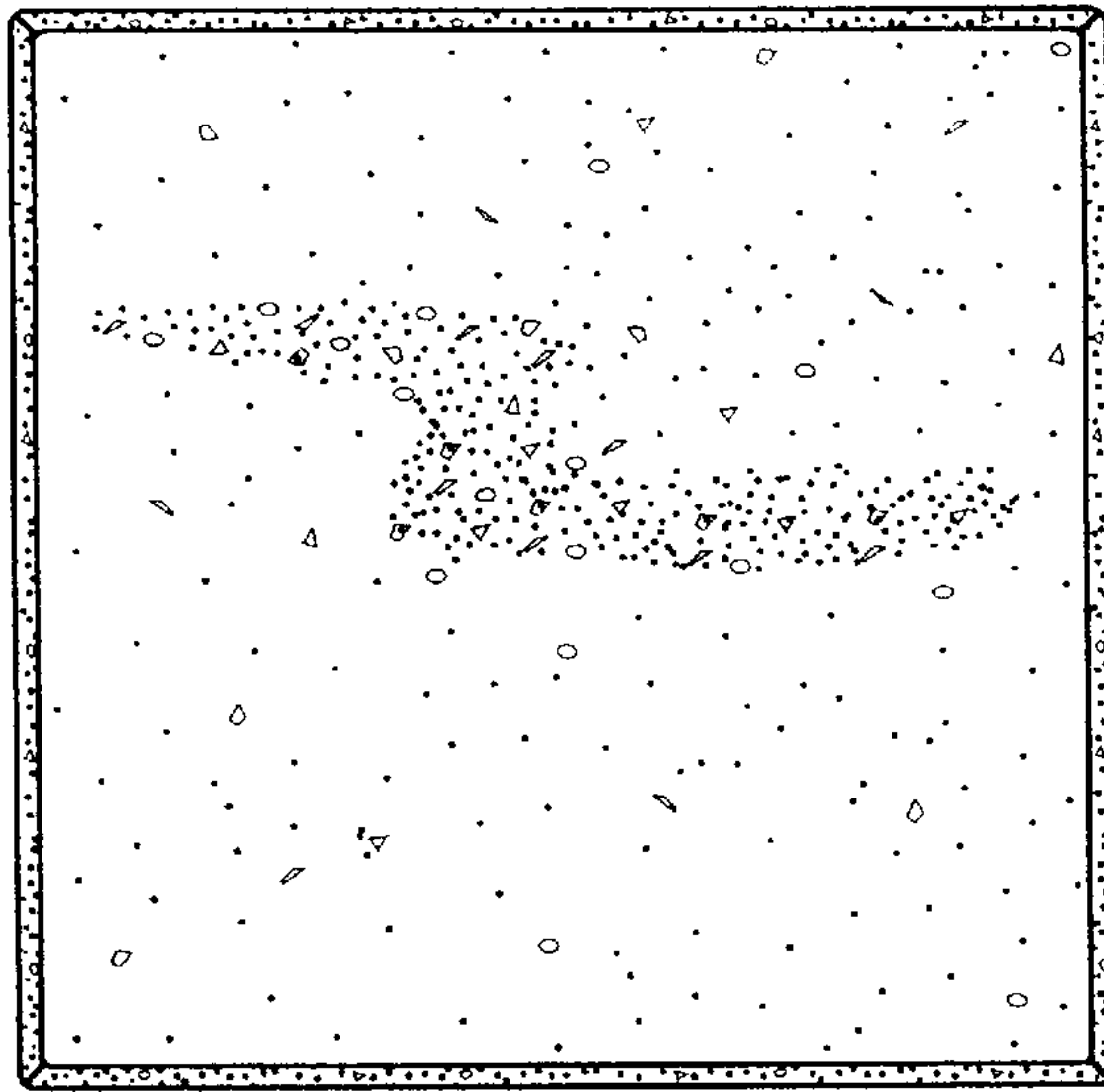


Fig. 3



Fig. 4

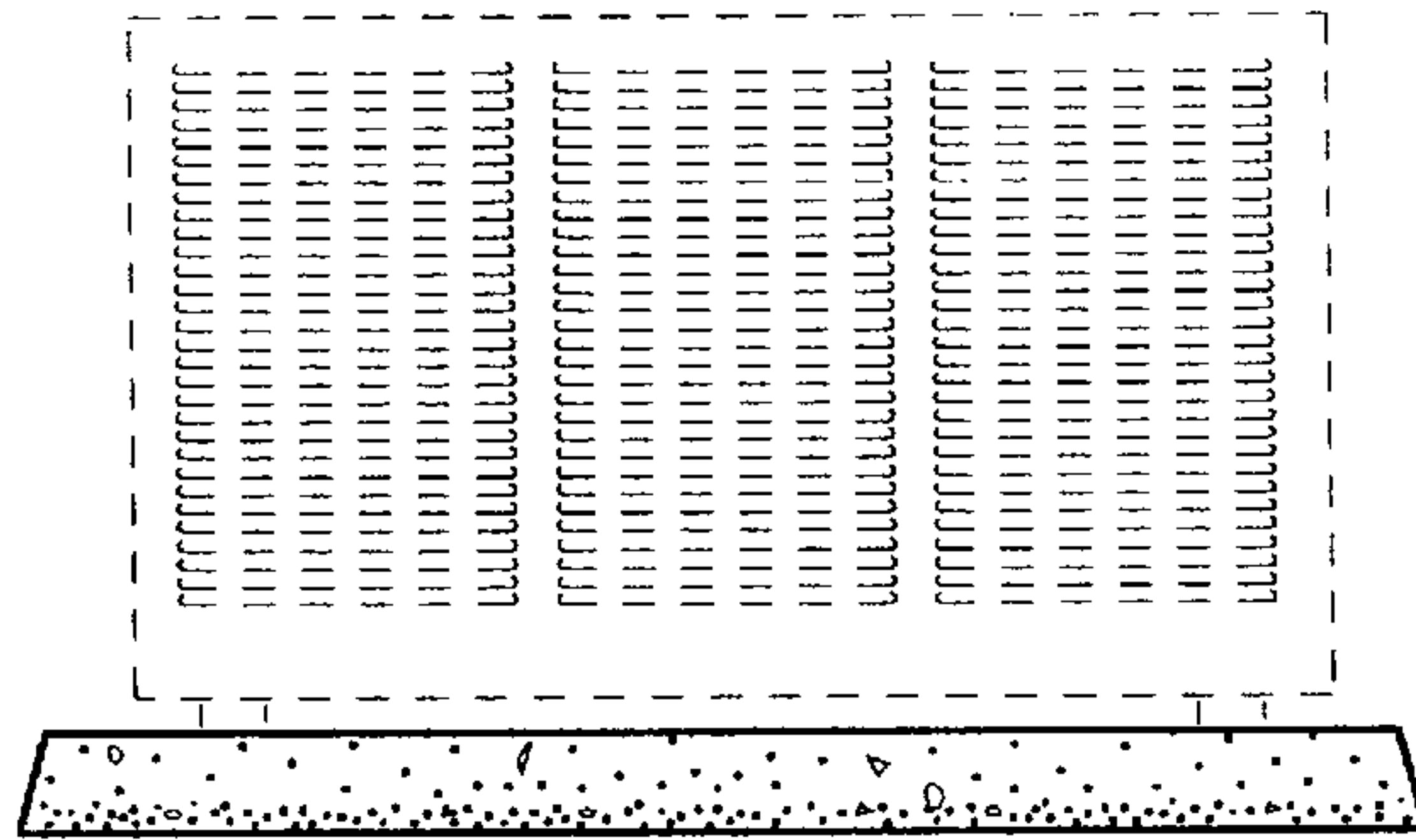


Fig. 5

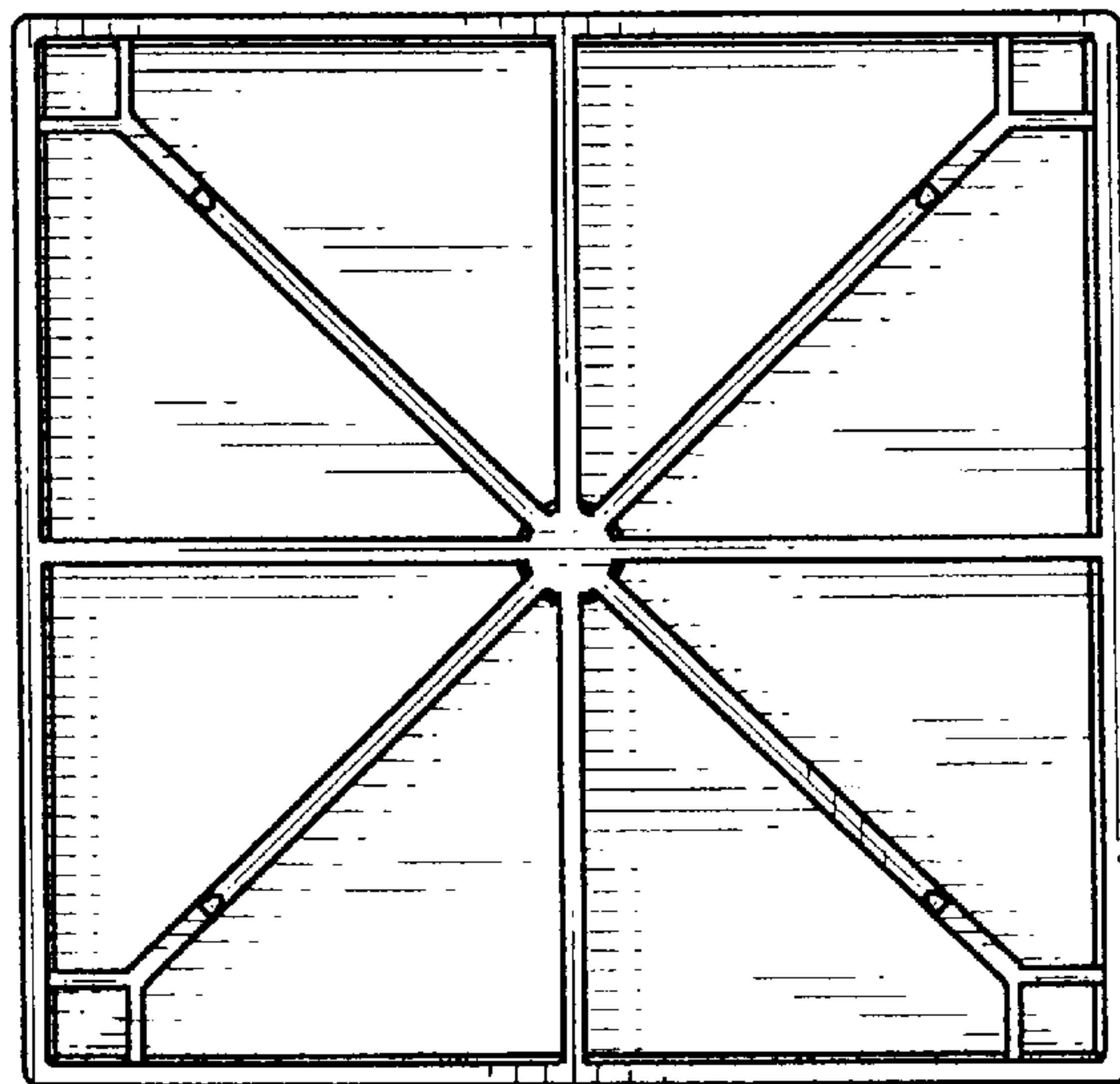


Fig. 6



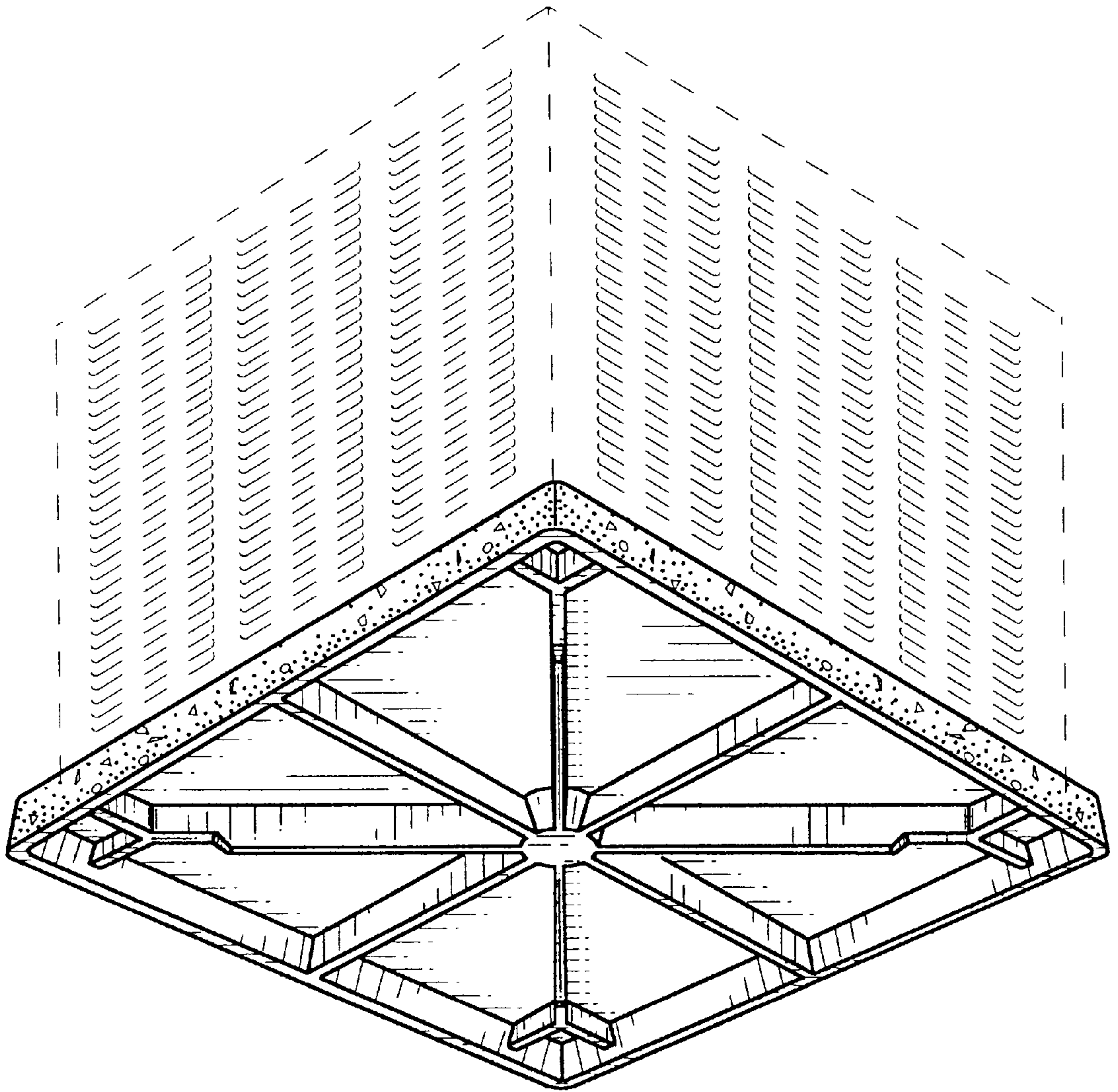


Fig. 7

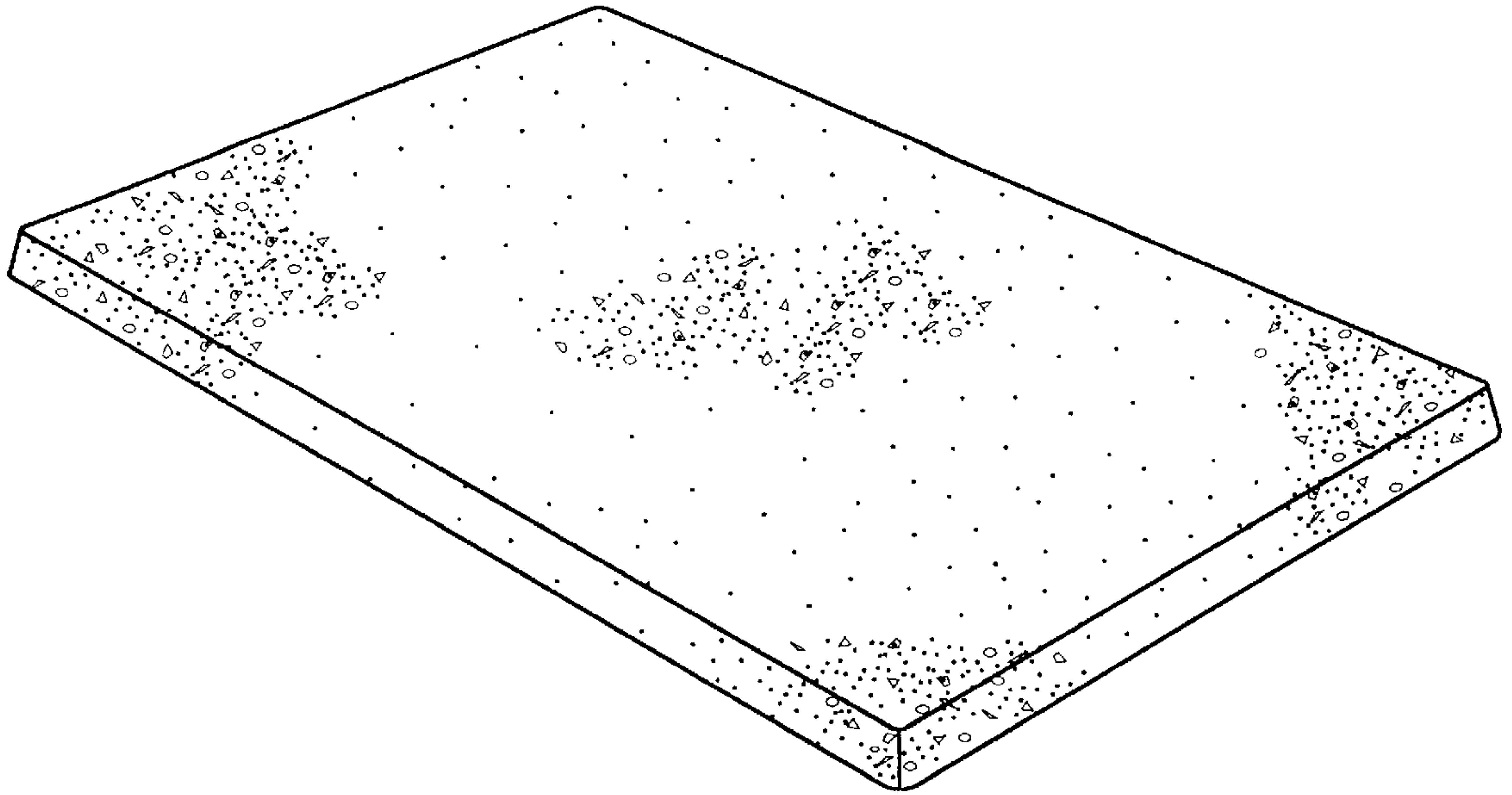


Fig. 8

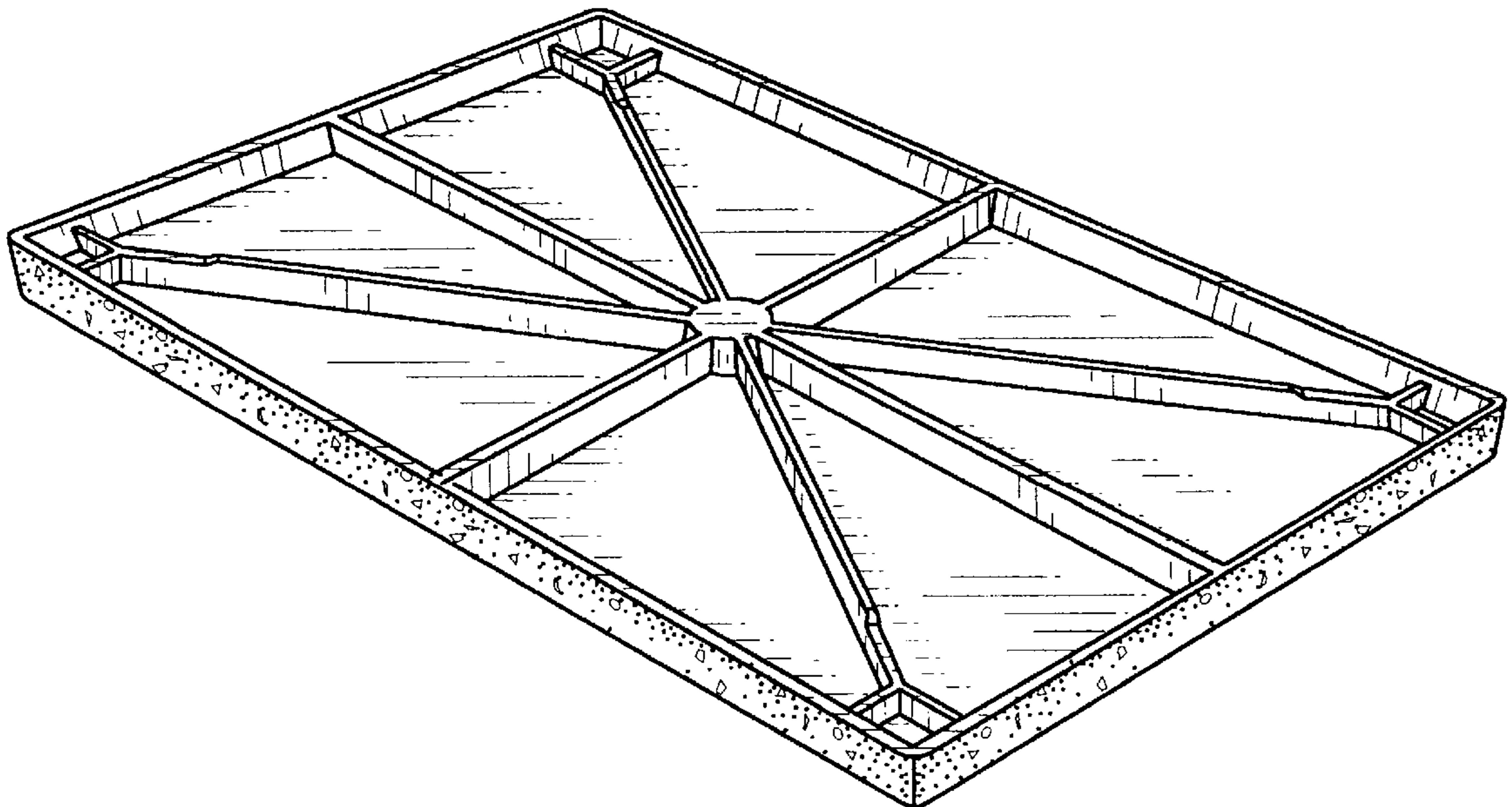


Fig. 9

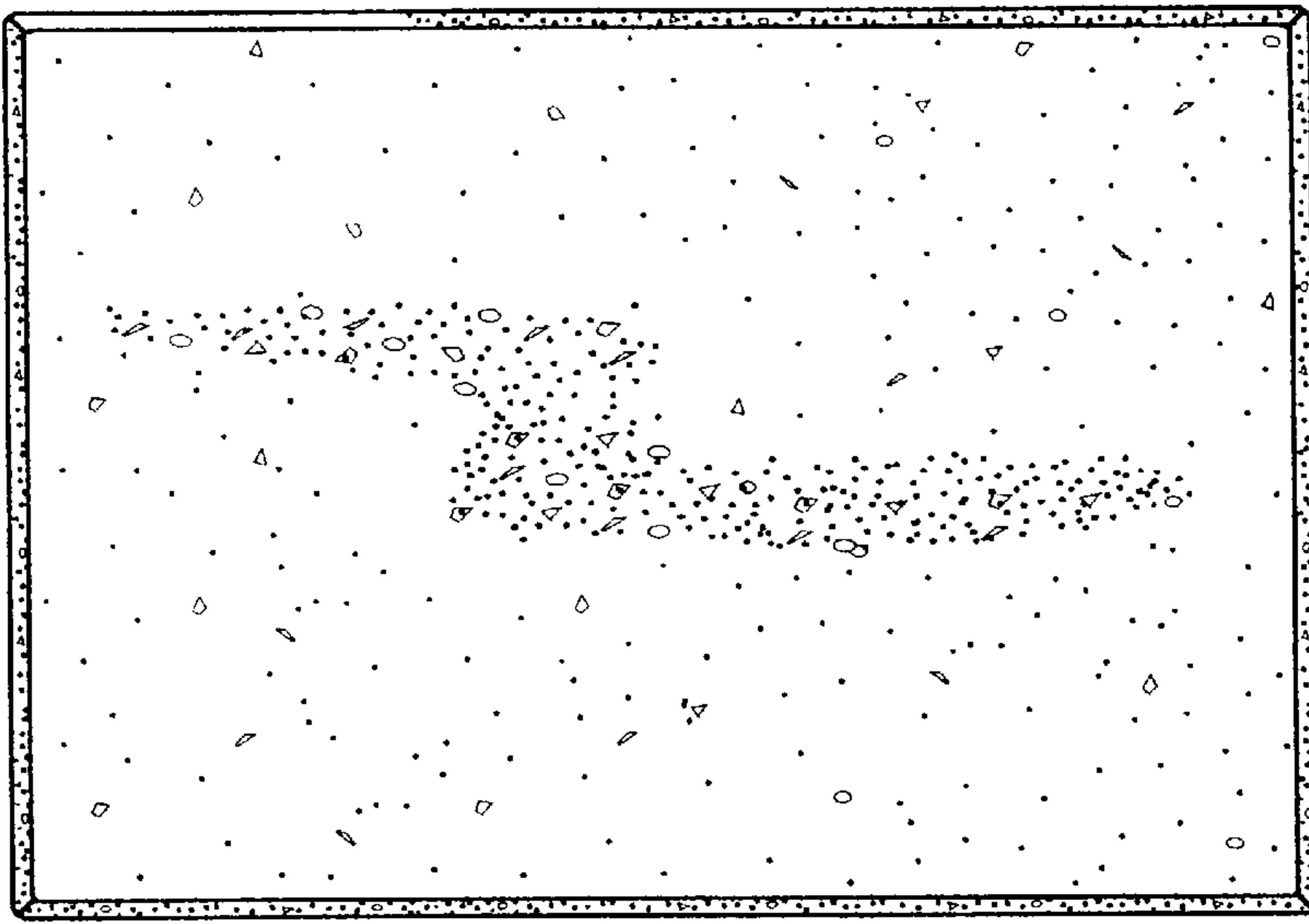


Fig. 10



Fig. 11

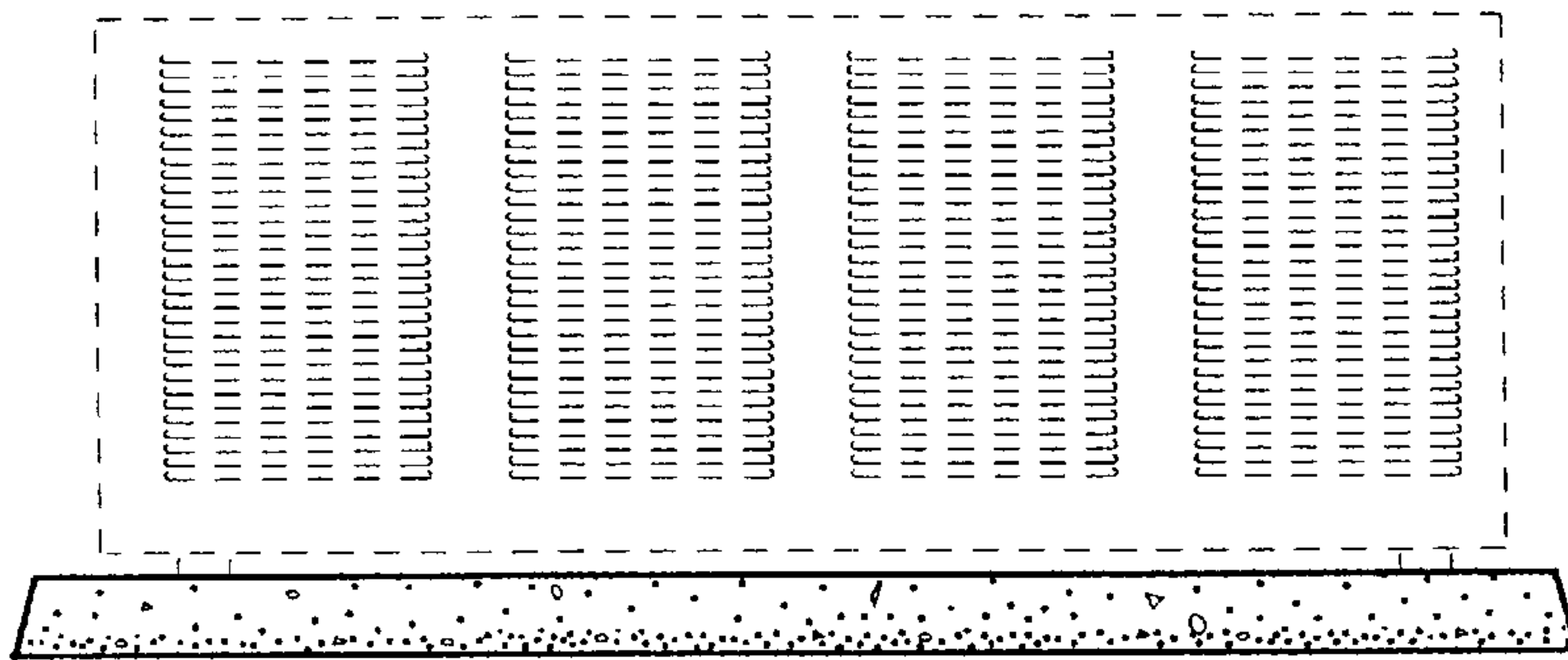


Fig. 12

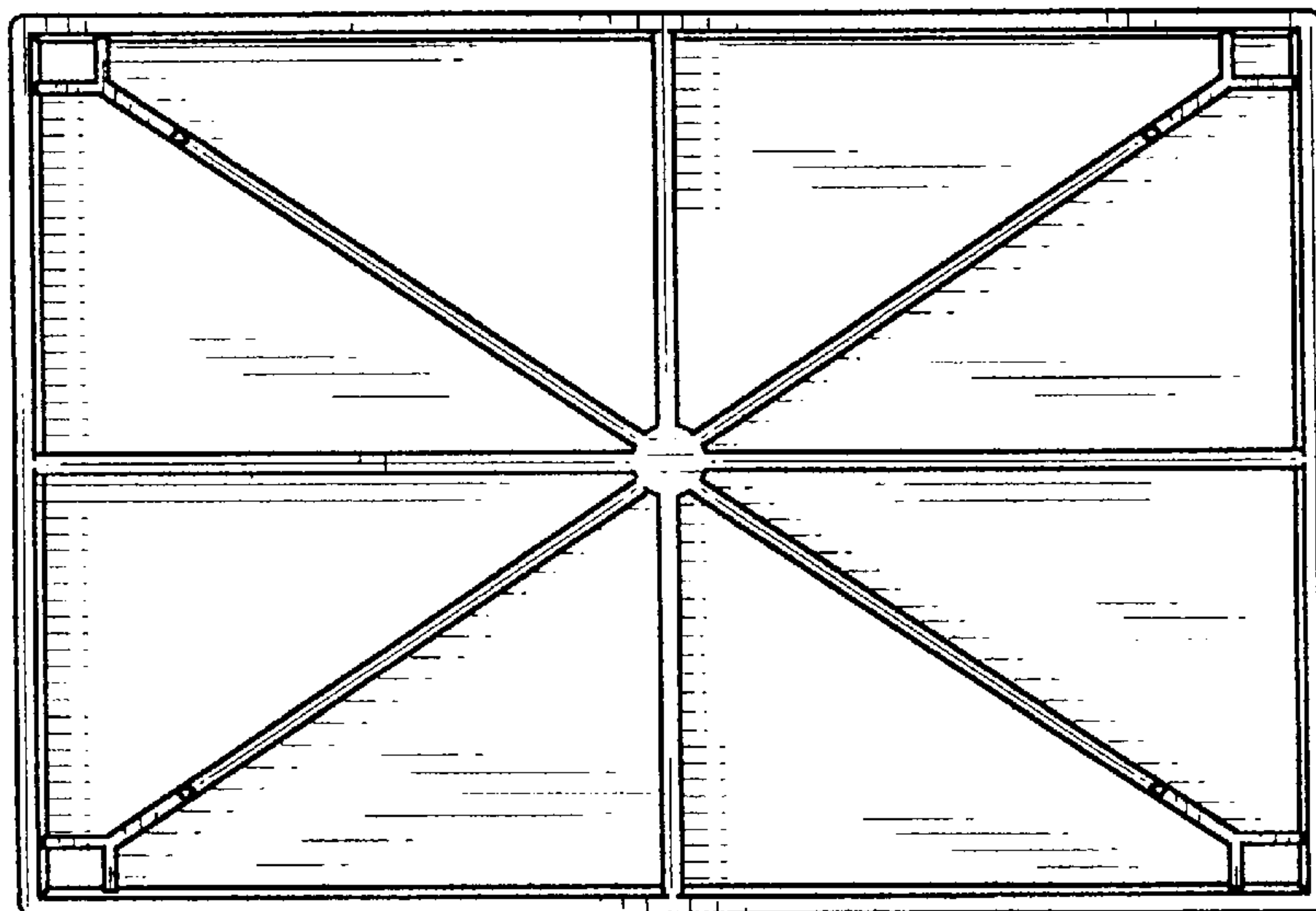


Fig. 13



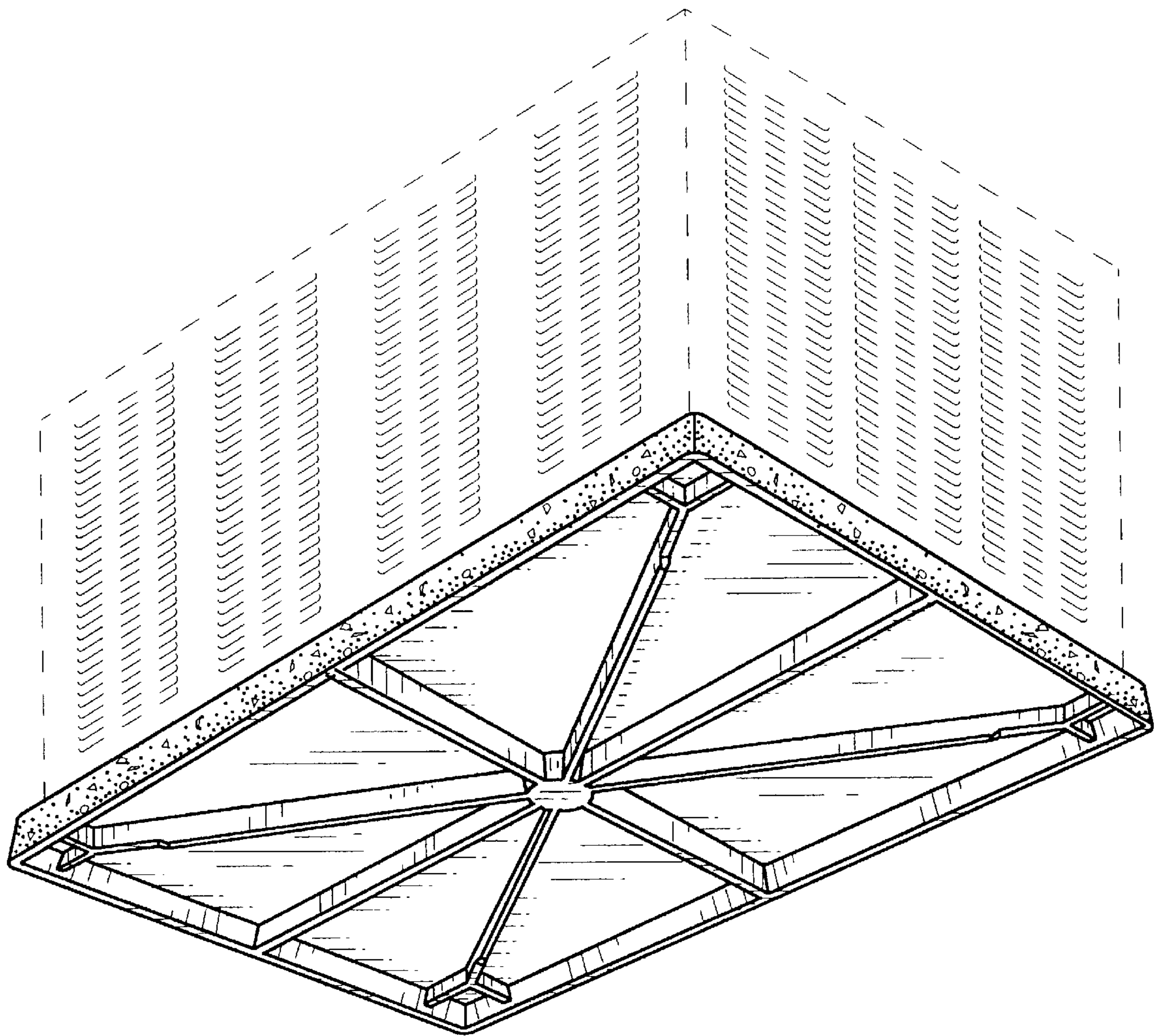


Fig. 14