



US00D431175S

United States Patent [19]

Lodi

[11] Patent Number: Des. 431,175

[45] Date of Patent: ** Sep. 26, 2000

[54] **WINGED ARROWHEAD PRINTED CIRCUIT BOARD SPACER WITH A KEYSLOT LOCKING BASE**

[75] Inventor: Frank Lodi, Niles, Ill.

[73] Assignee: Richeo Inc., Chicago, Ill.

[**] Term: 14 Years

[21] Appl. No.: 29/107,864

[22] Filed: Jul. 16, 1999

[51] LOC (7) Cl. 08-05

[52] U.S. Cl. D8/354

[58] Field of Search D8/354, 387; D13/199; 174/138 D; 24/336; 248/222.41

[56] **References Cited**

U.S. PATENT DOCUMENTS

3,513,509	5/1970	Gross	174/138 D
5,281,149	1/1994	Petri	174/138 D

Primary Examiner—Holly Baynham
Attorney, Agent, or Firm—Martin Faier; Faier & Faier, P.C.

[57] **CLAIM**

The ornamental design for a winged arrowhead printed circuit board spacer with a keyslot locking base, as shown and described.

DESCRIPTION

FIG. 1 is a perspective view of a device embodying the invention.

FIG. 2 is a front elevational view of a device embodying the invention.

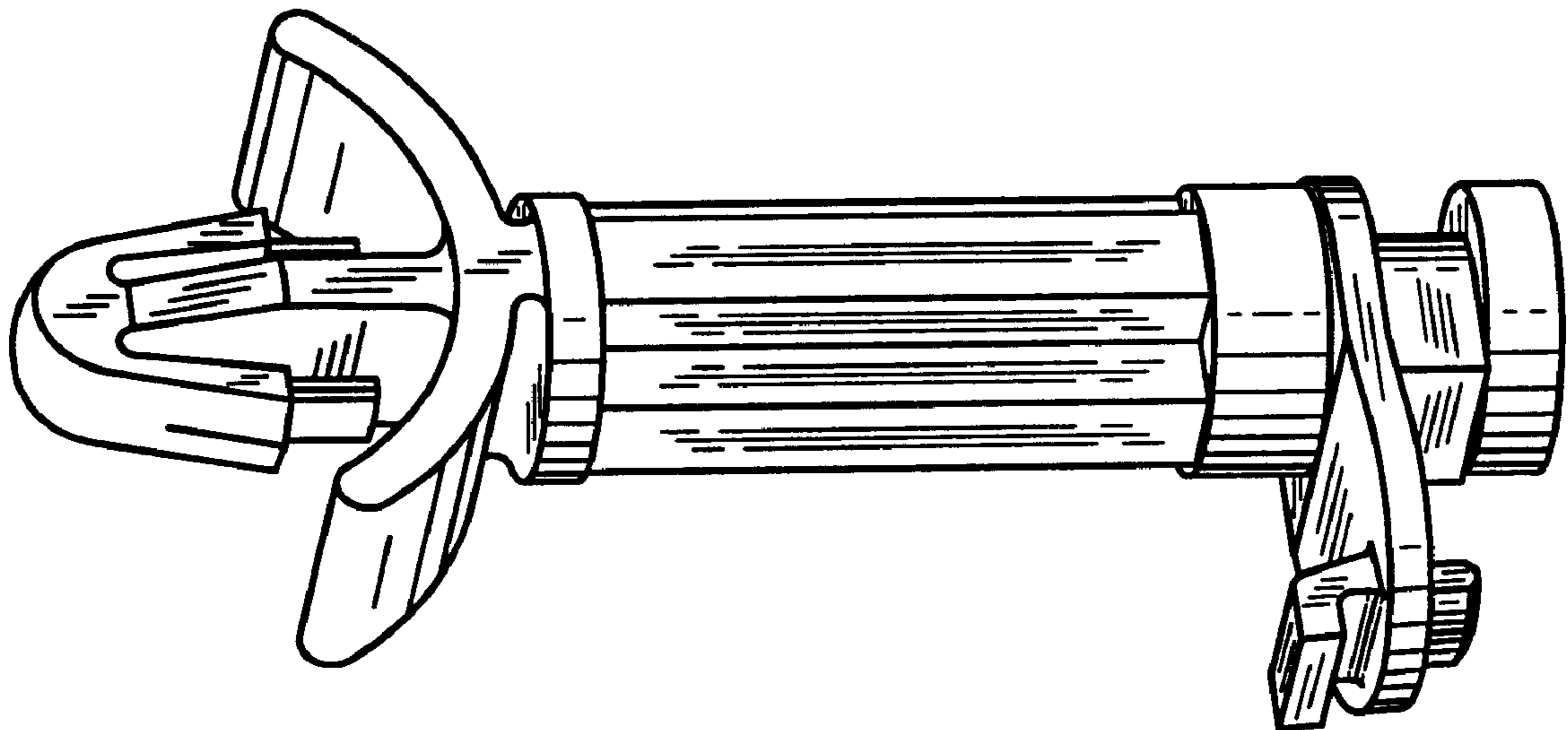
FIG. 3 is a rear elevational view of a device embodying the invention.

FIG. 4 is a top view of a device embodying the invention..

FIG. 5 is a bottom view of a device embodying the invention; and,

FIG. 6 is a side view of a device embodying the invention, both the left and right side being identical and mirror images of one another..

1 Claim, 1 Drawing Sheet



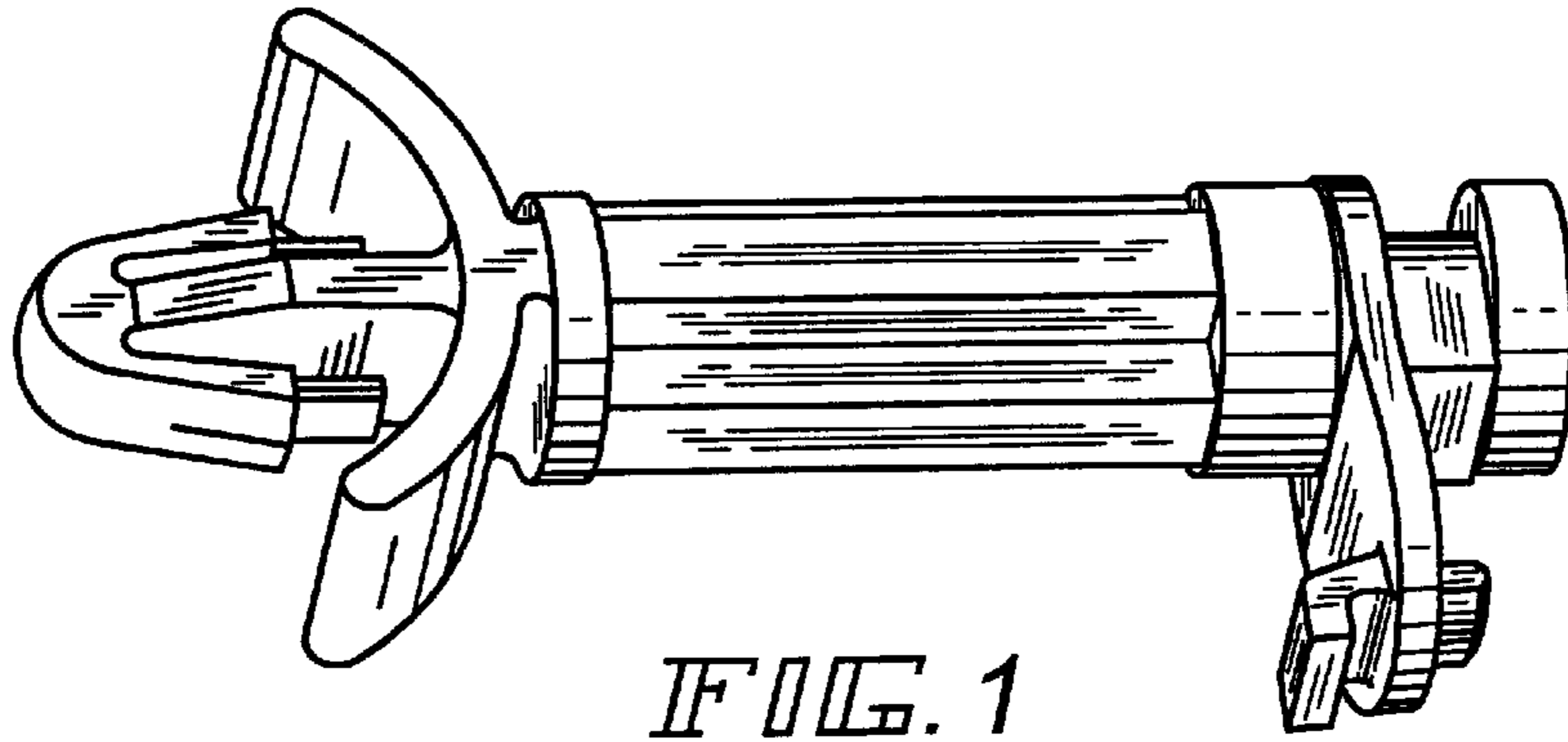


FIG. 1

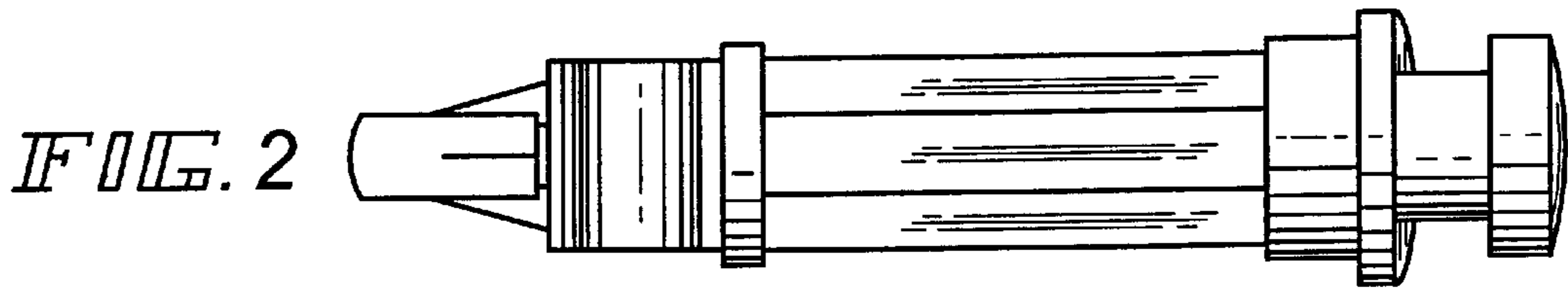


FIG. 2

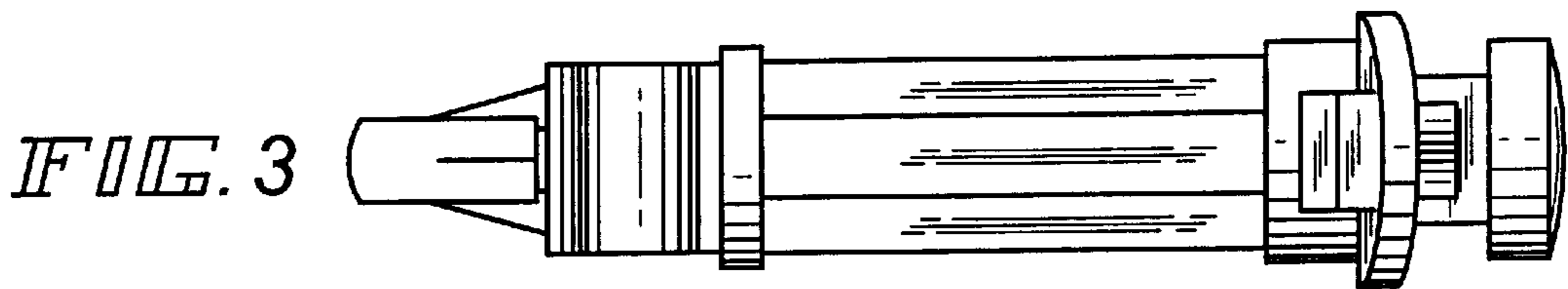


FIG. 3

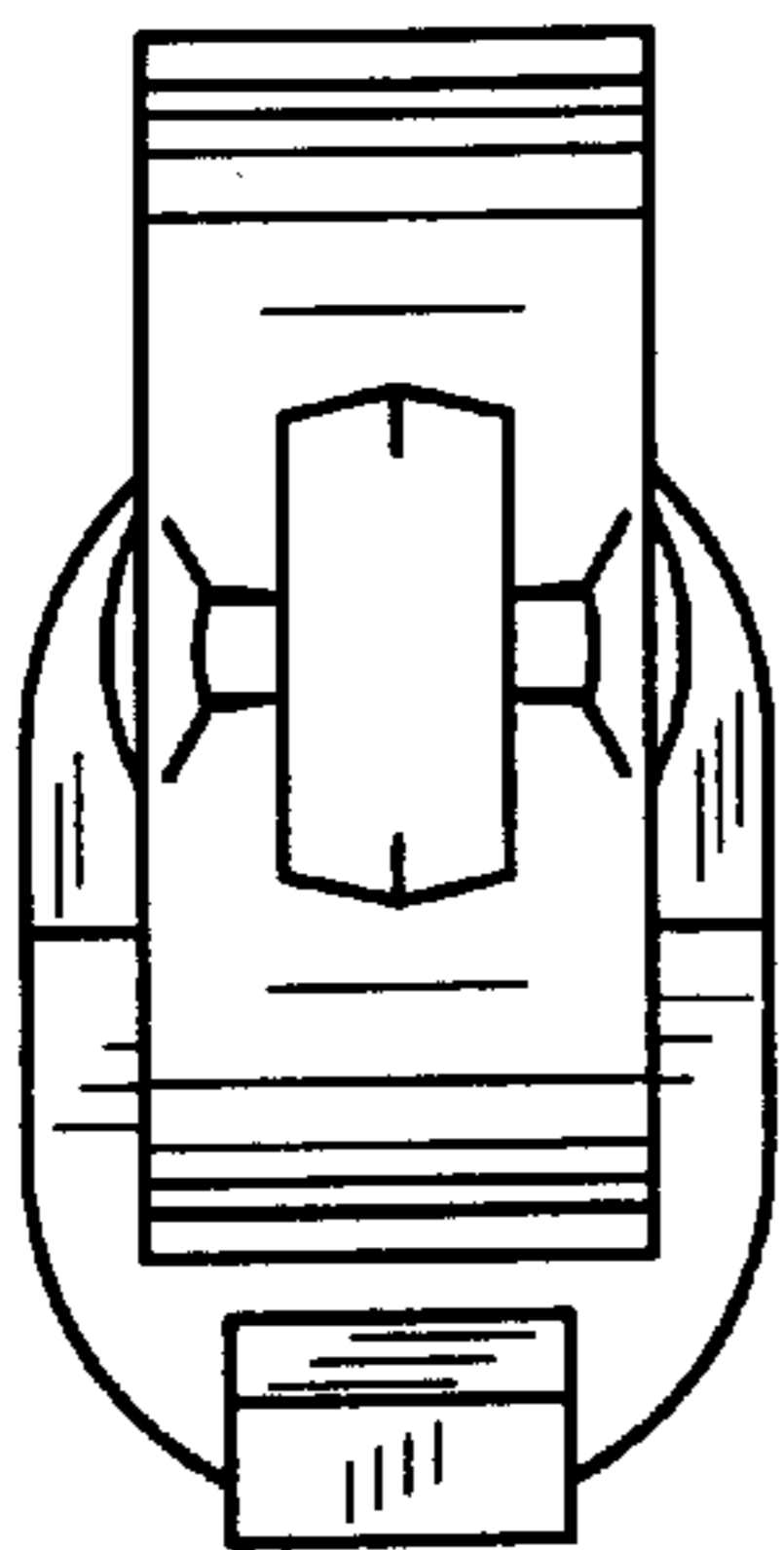


FIG. 4

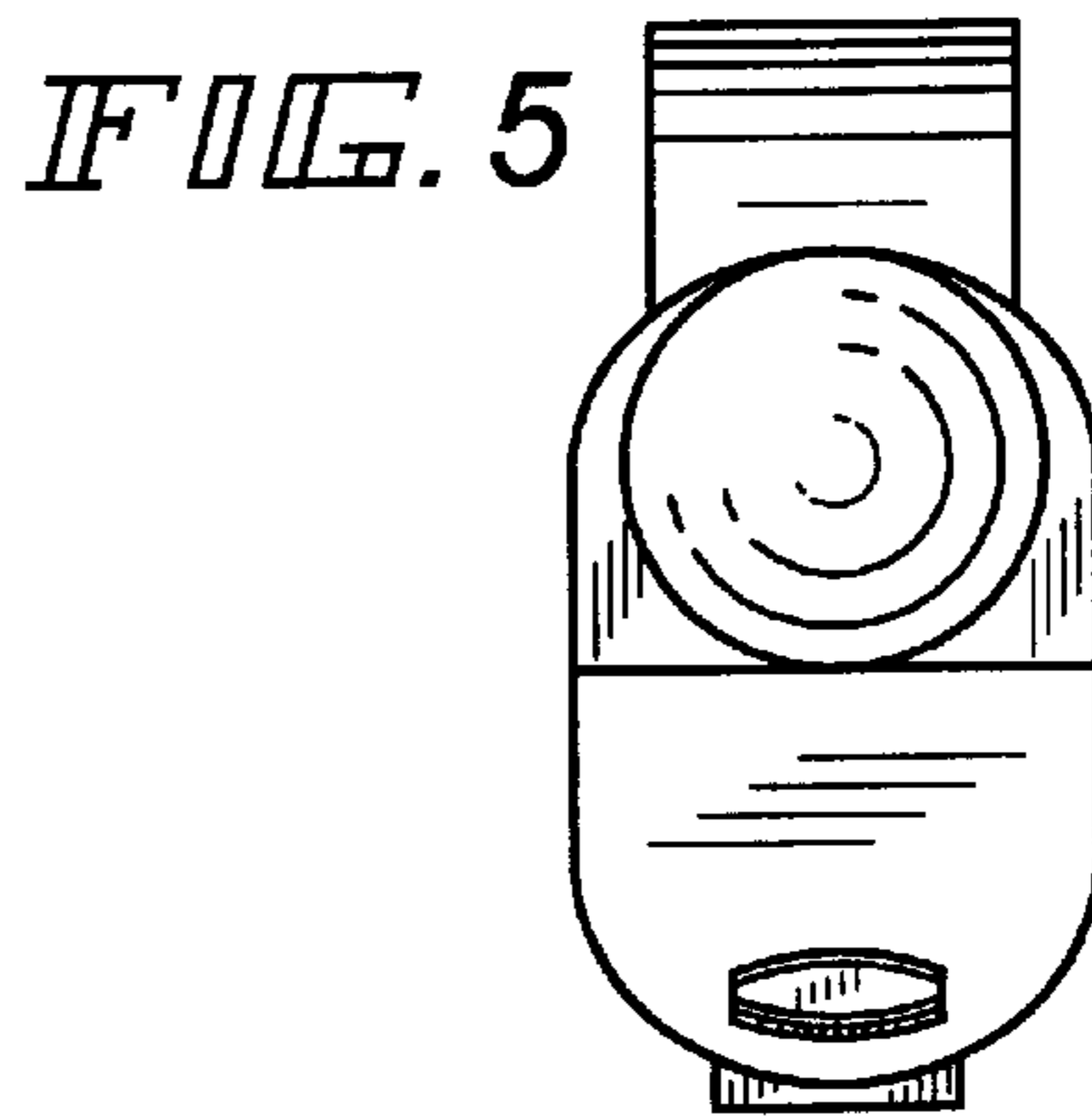


FIG. 5

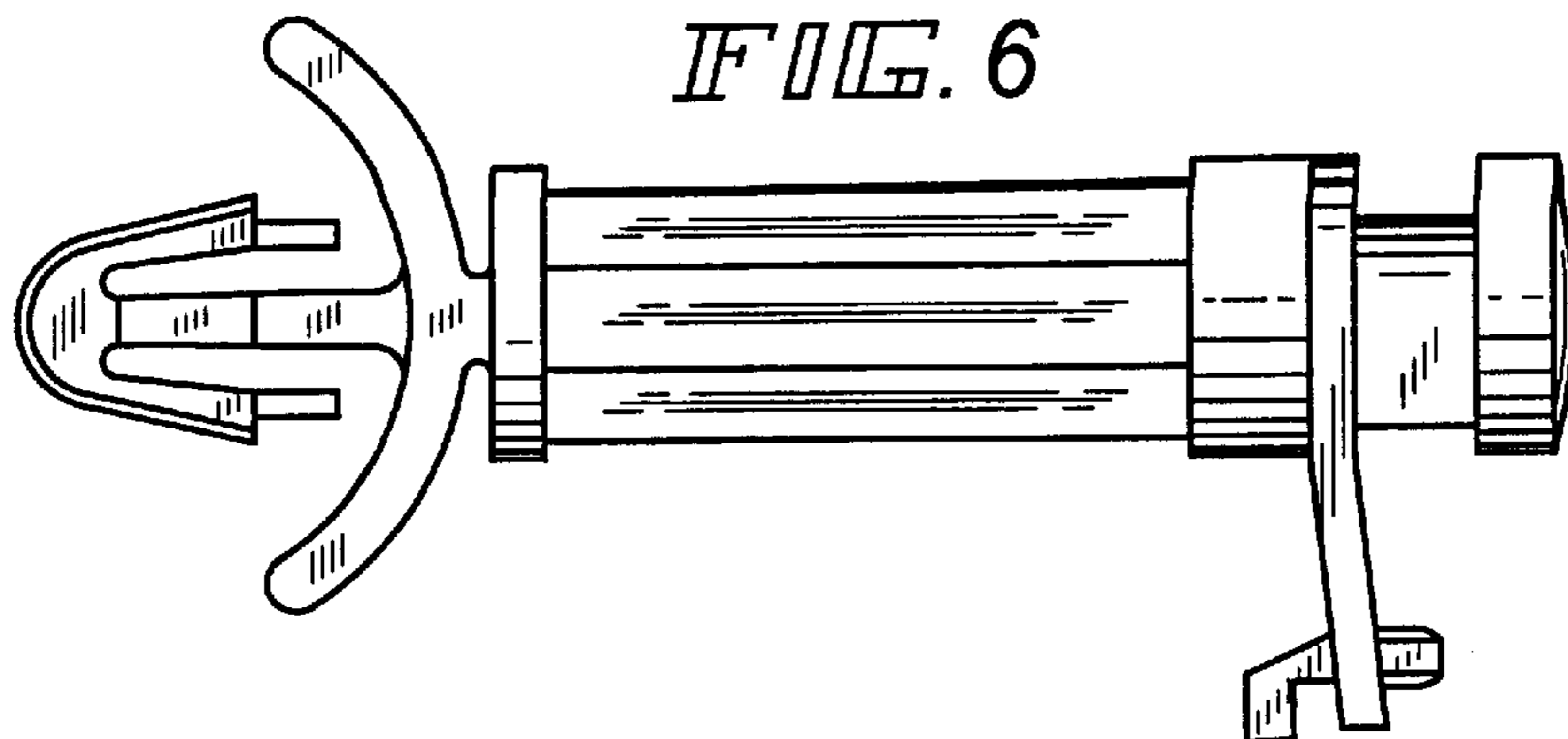


FIG. 6