



US00D431172S

# United States Patent [19]

Libby et al.

[11] Patent Number: Des. 431,172

[45] Date of Patent: \*\* Sep. 26, 2000

[54] LOCK ASSEMBLY

[75] Inventors: **James B. Libby**, Stillwater; **Casey L. Carlson**, Edina, both of Minn.; **Duane T. Fier**, Hudson, Wis.; **Mark S. Hudoba**, Hugo; **Joseph G. Reithmeyer**, Afton, both of Minn.

[73] Assignee: **Andersen Corporation**, Bayport, Minn.

[\*\*] Term: **14 Years**

[21] Appl. No.: **29/113,129**

[22] Filed: **Oct. 29, 1999**

### Related U.S. Application Data

[62] Division of application No. 29/097,720, Dec. 11, 1998, Pat. No. Des. 417,831.

[51] LOC (7) Cl. .... **08-06**

[52] U.S. Cl. .... **D8/302; D8/308; D8/352**

[58] Field of Search ..... 16/402, DIG. 30; D8/306, 308, 341, 352, 301, 302; 70/95, 452, 129, 134; 292/DIG. 46, 334.3

### [56] References Cited

#### U.S. PATENT DOCUMENTS

- D. 300,719 4/1989 Rhoades et al. .
- D. 320,334 10/1991 Clancy .
- D. 339,280 9/1993 Bray et al. .
- D. 340,179 10/1993 Mirick et al. .
- D. 340,398 10/1993 Clancy .
- D. 384,266 9/1997 Mantarakis et al. .
- D. 384,568 10/1997 Mantarakis et al. .
- D. 397,604 9/1998 Libby et al. .

- 3,260,081 7/1966 Simon .
- 3,353,855 11/1967 Smith .
- 5,388,875 2/1995 Fleming .
- 5,595,409 1/1997 Fier .
- 5,761,937 6/1998 Adelmeyer ..... 70/134
- 5,765,412 6/1998 Koskela et al. .... 70/134

### OTHER PUBLICATIONS

4 Color Photos of Brass Andersen Lock (on sale and in public use before Dec. 11, 1997).

4 Color Photos of White Andersen Lock (on sale and in public use before Dec. 11, 1997).

*Primary Examiner*—B. J. Bullock  
*Attorney, Agent, or Firm*—Merchant & Gould P.C.

### [57] CLAIM

The ornamental design for a lock assembly, as shown and described.

### DESCRIPTION

FIG. 1 is a front perspective view of a lock assembly showing our new design;  
 FIG. 2 is a rear perspective view thereof;  
 FIG. 3 is an enlarged front elevational view of the key portion shown separately for ease of illustration;  
 FIG. 4 is an enlarged front elevational view of the lever portion shown separately for ease of illustration;  
 FIG. 5 is an enlarged left side elevational view of FIG. 1, the right side being a mirror image; and,  
 FIG. 6 is a top plan view of FIG. 5.  
 The broken line showing in FIGS. 1, 2, 5 and 6 is for illustrative purposes only and forms no part of the claimed design.

1 Claim, 4 Drawing Sheets

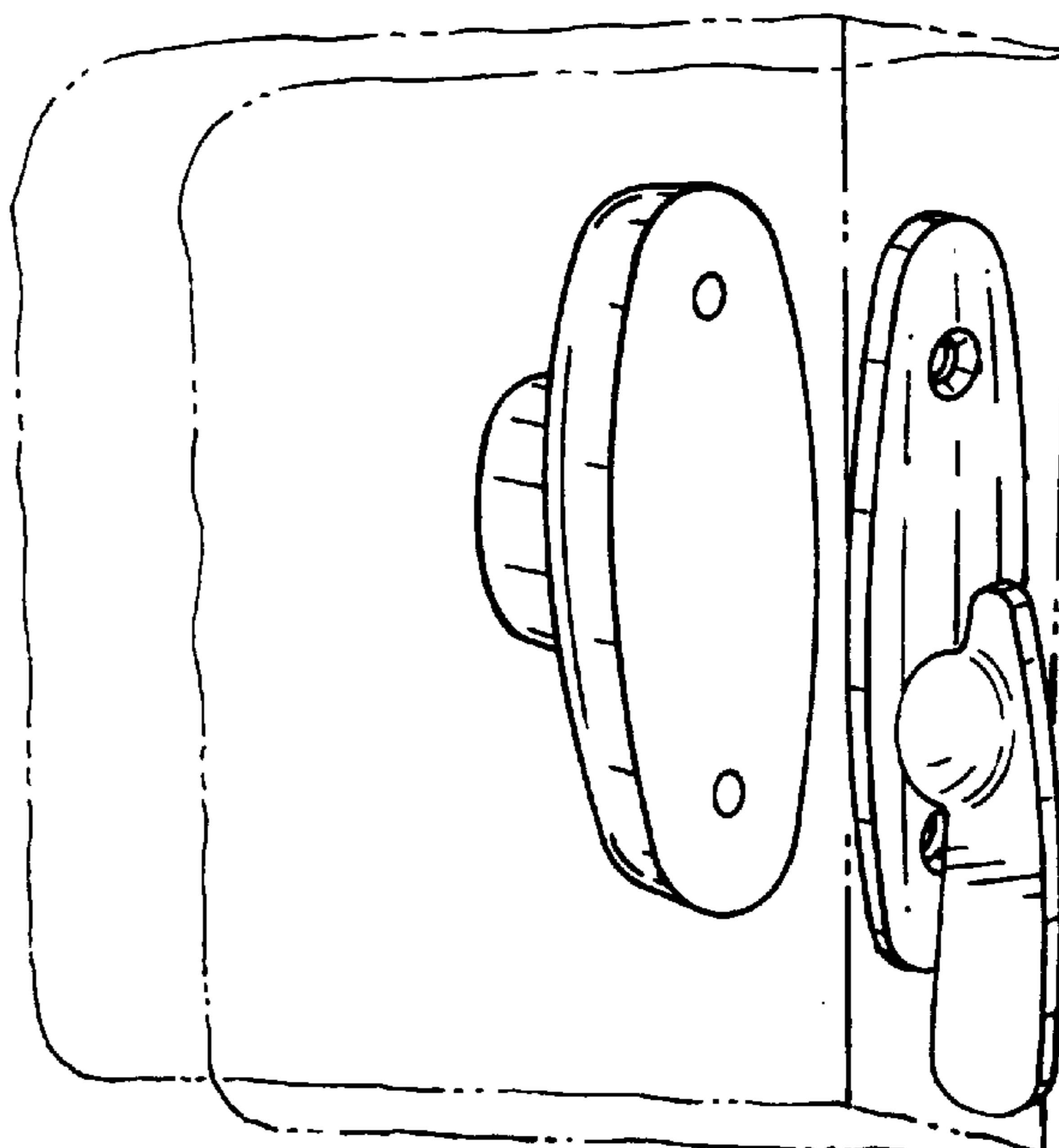
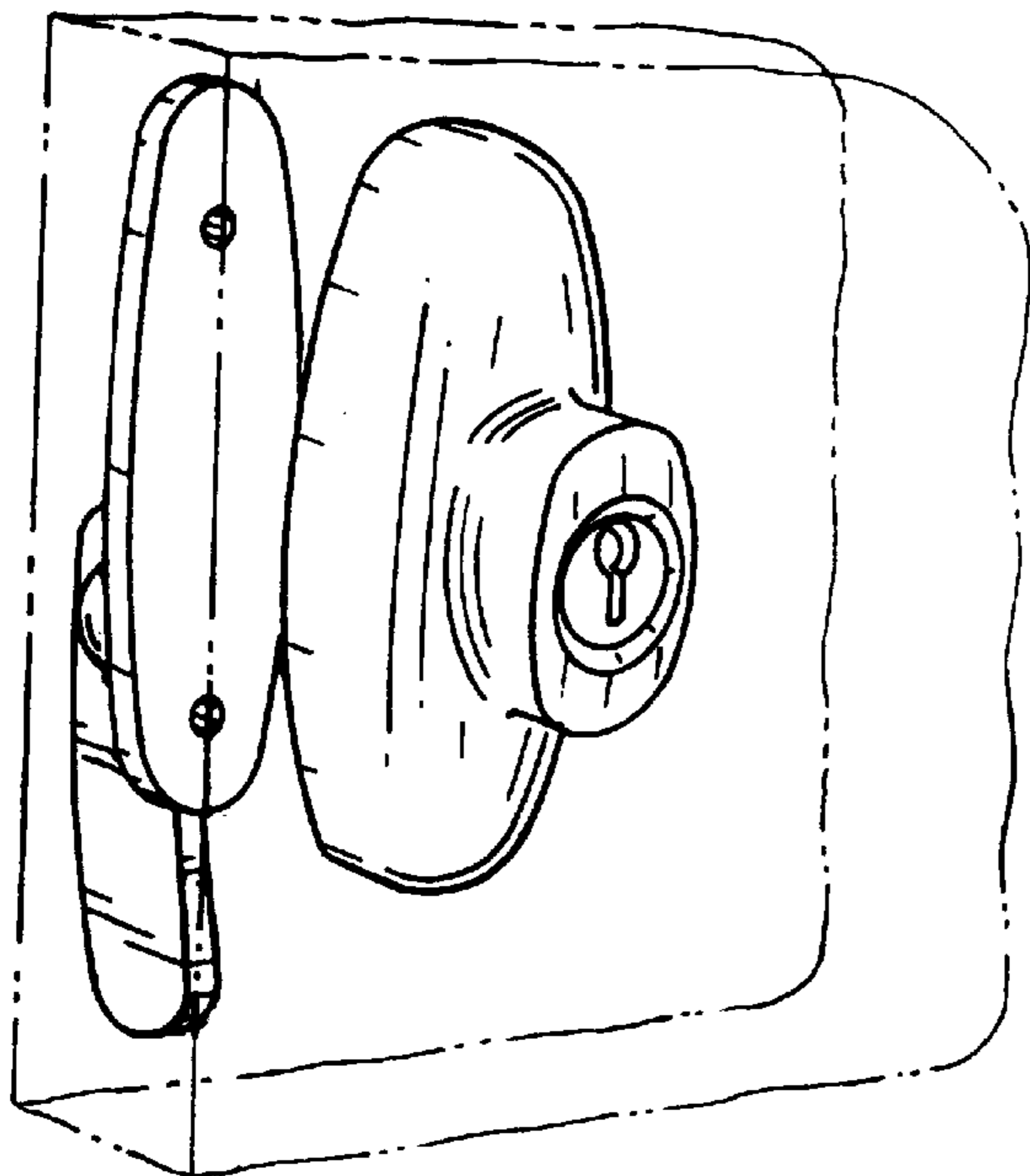


FIG. 1

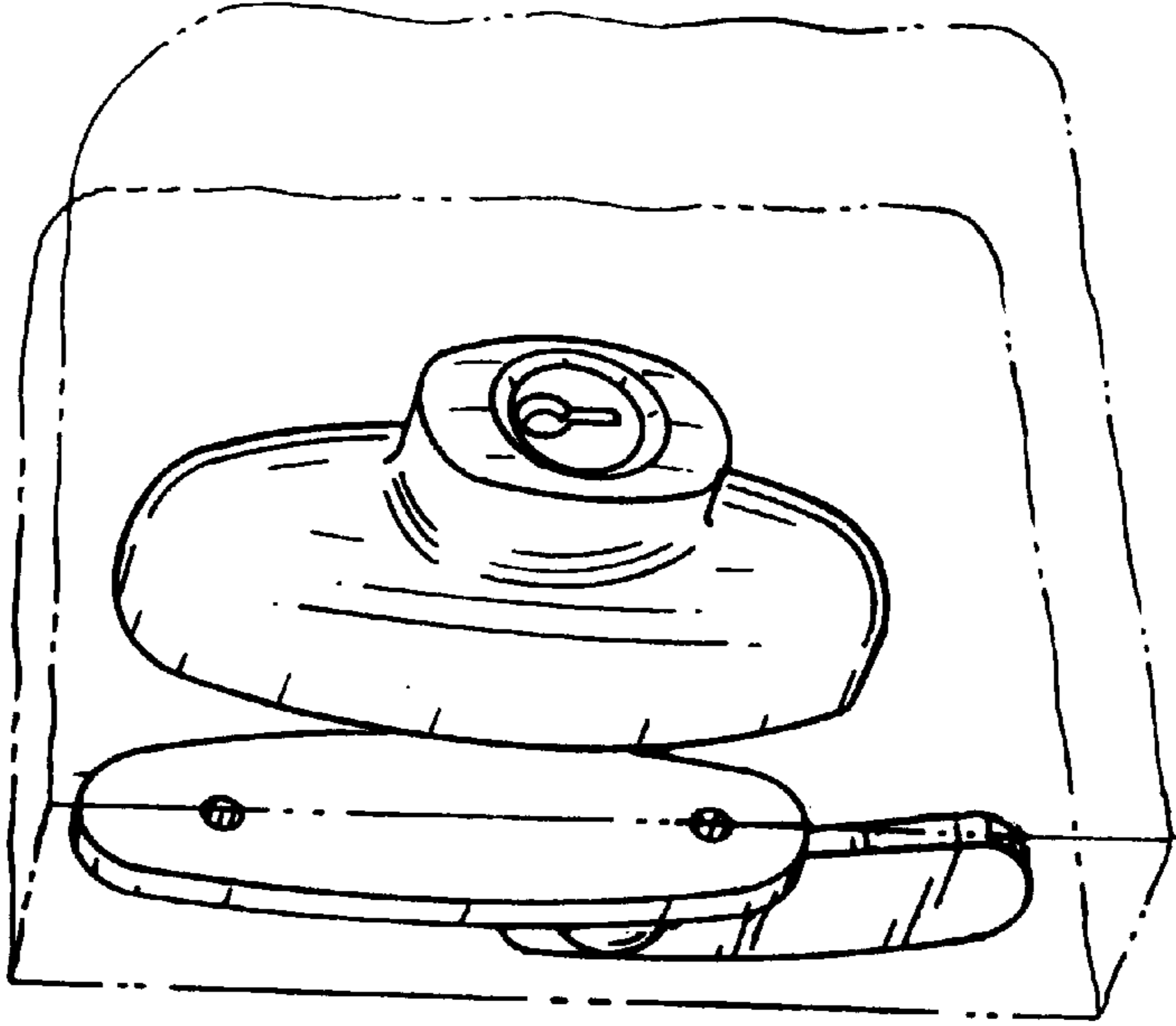
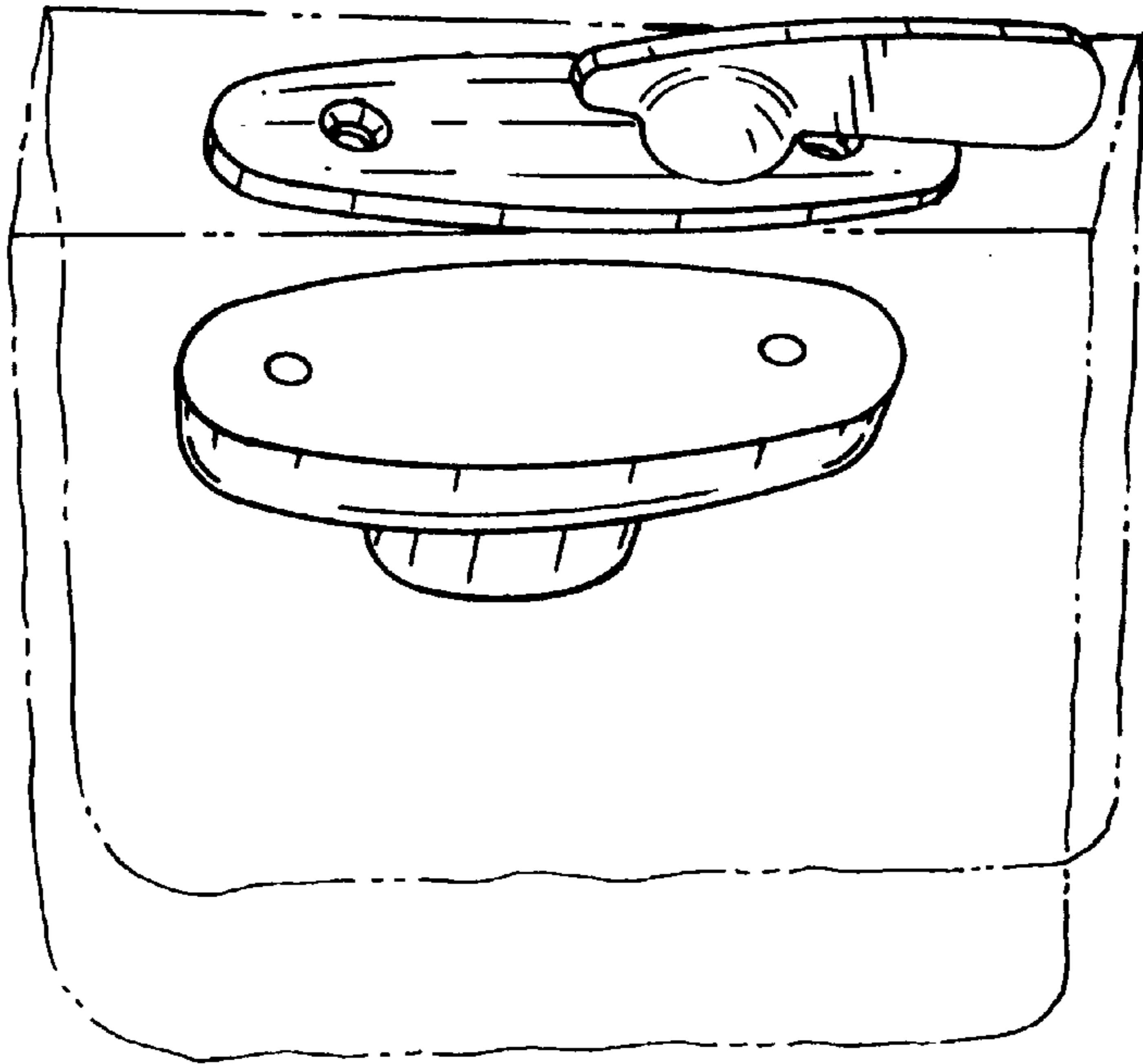
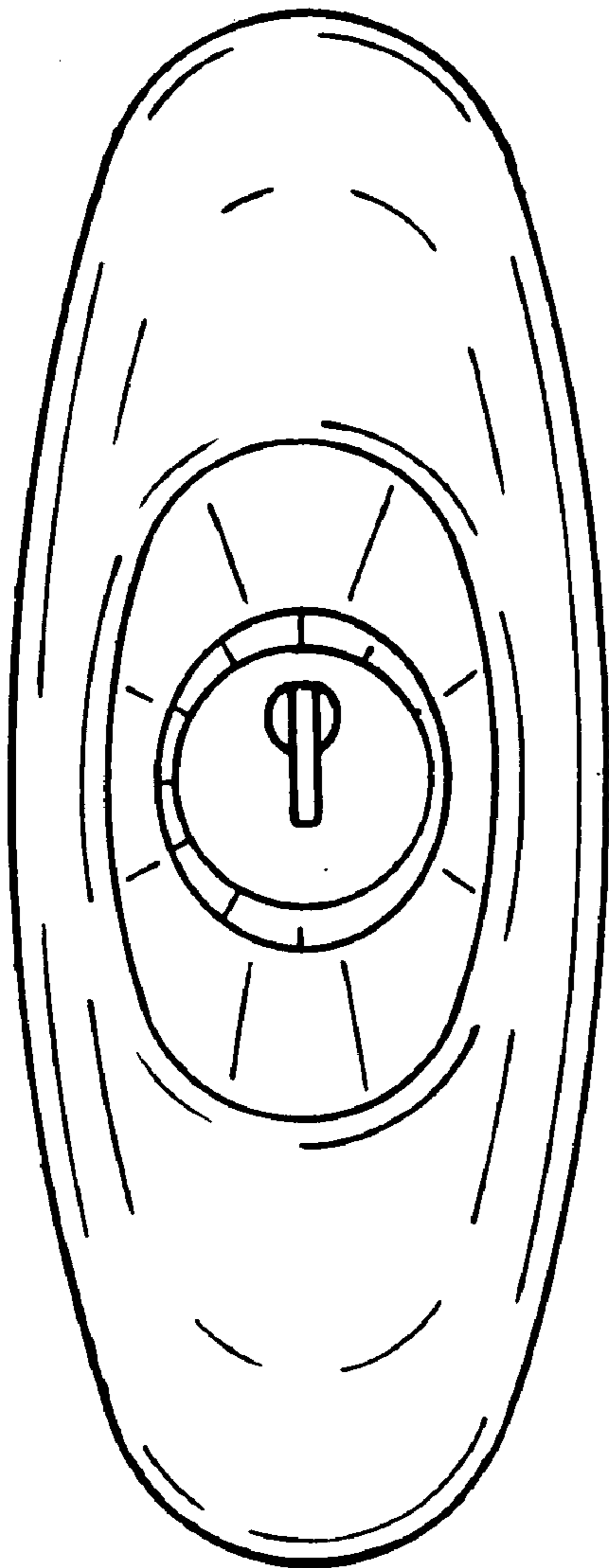


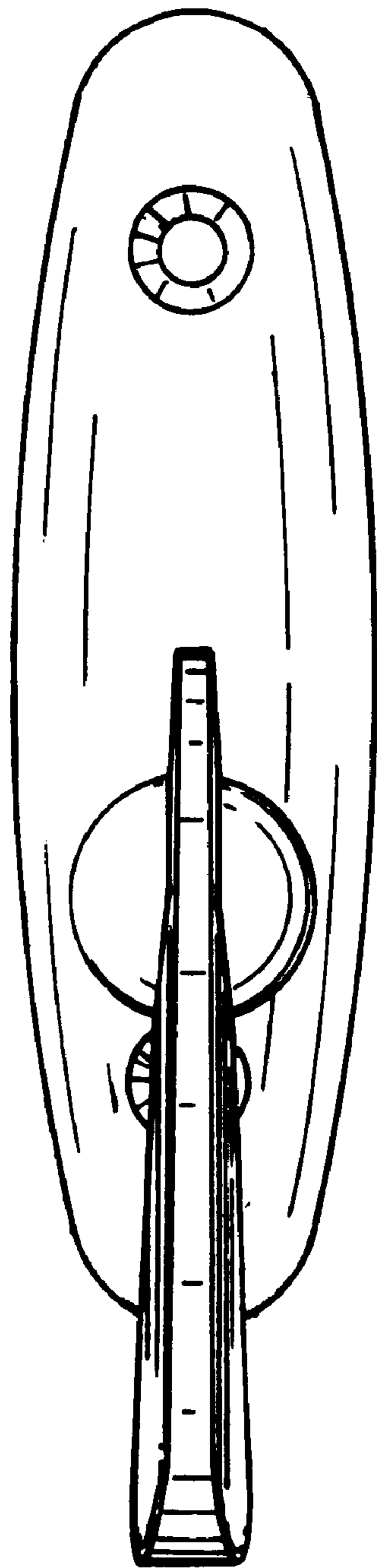
FIG. 2

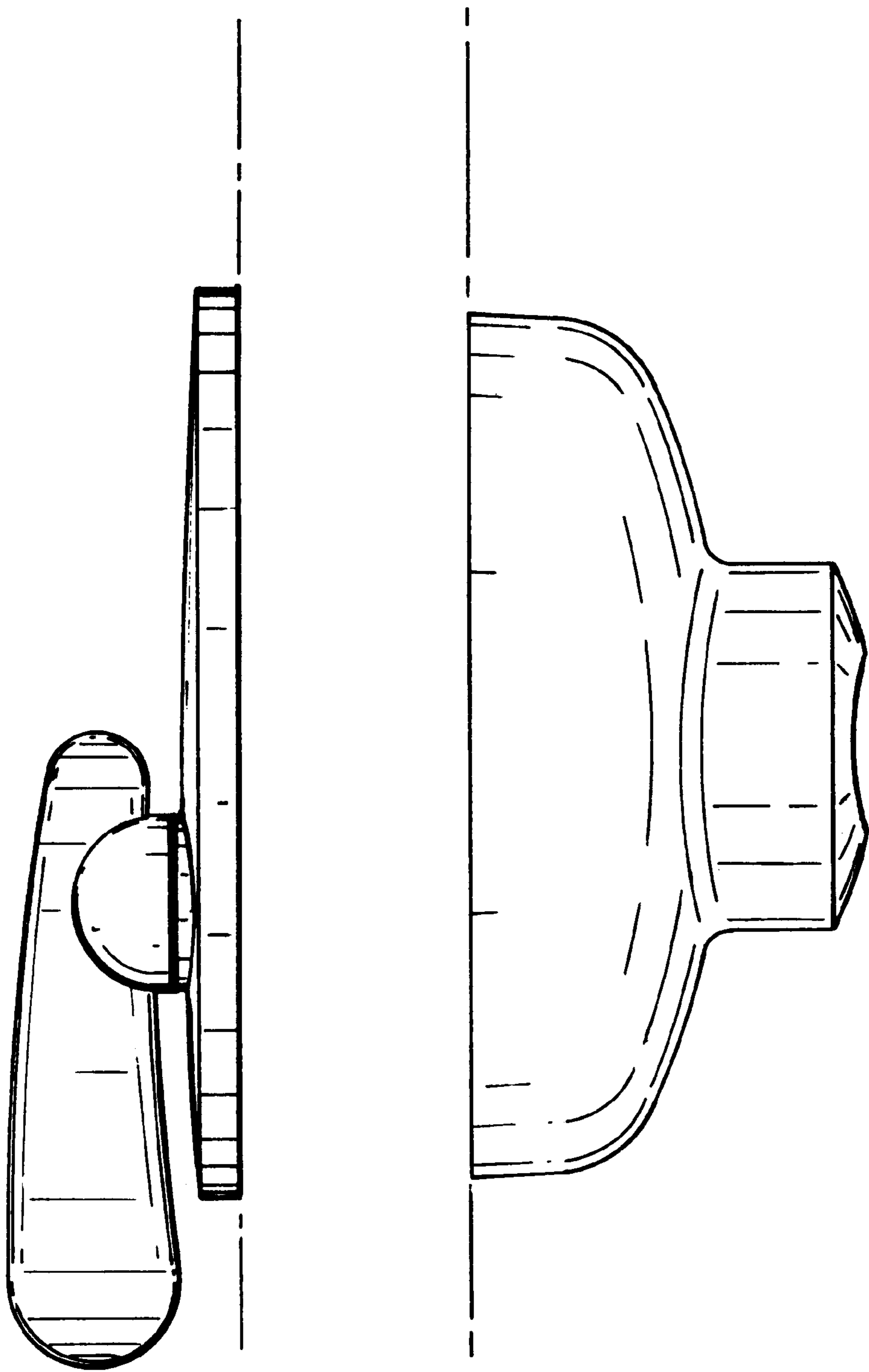


**FIG. 3**



**FIG. 4**





**FIG. 5**

FIG. 6

