



US00D431171S

United States Patent [19]
Fallandy

[11] **Patent Number: Des. 431,171**

[45] **Date of Patent: ** Sep. 26, 2000**

[54] **REVERSIBLE WIRE TERMINATION TOOL**

4,334,446 6/1982 Field D15/140 X
5,957,633 9/1999 Hall 207/113 X

[75] Inventor: **Michael M. Fallandy**, Ventura, Calif.

Primary Examiner—Nanda Bondade
Attorney, Agent, or Firm—Harry M. Fleck

[73] Assignee: **Harris Corporation**, Melbourne, Fla.

[**] Term: **14 Years**

[57] **CLAIM**

[21] Appl. No.: **29/116,511**

We claim the ornamental design for reversible wire termination tool, as shown.

[22] Filed: **Dec. 15, 1999**

DESCRIPTION

[51] **LOC (7) Cl.** **08-05**

FIG. 1 is a perspective view of the reversible wire termination tool of the present invention, looking toward the top and right sides;

[52] **U.S. Cl.** **D8/98**

FIG. 2 is a bottom plan view;

[58] **Field of Search** D8/14, 51, 98,
D8/99; D15/140; 30/90.1, 90.4, 90.6–90.9,
91.1, 91.2; 81/9.4, 9.41, 9.44; 407/35, 40,
50, 54, 109, 110, 113

FIG. 3 is an elevational view of the left side;

FIG. 4 is a top plan view;

FIG. 5 is an elevational view of the front end;

FIG. 6 is an elevational view of the right side; and,

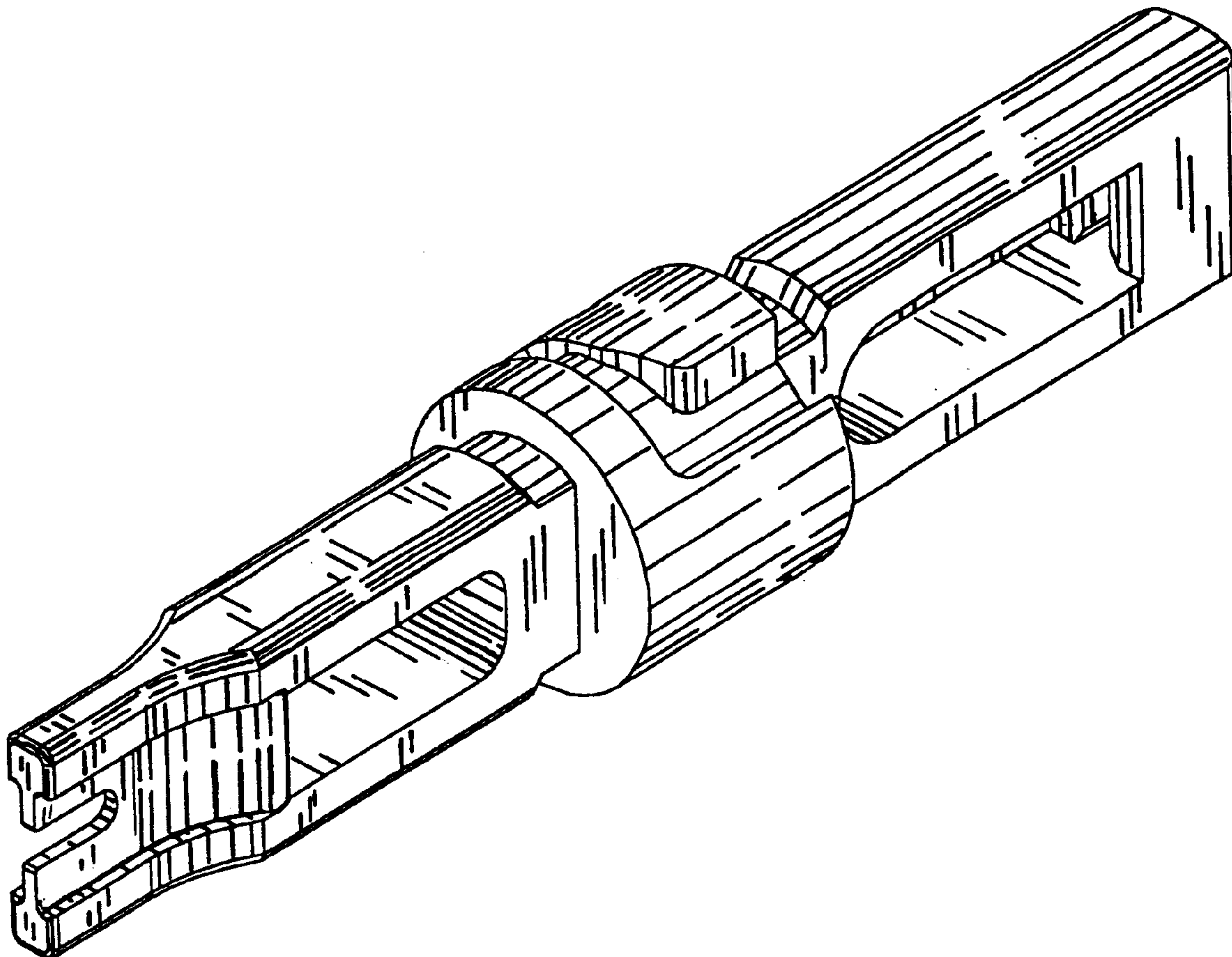
FIG. 7 is an elevational view of the back end.

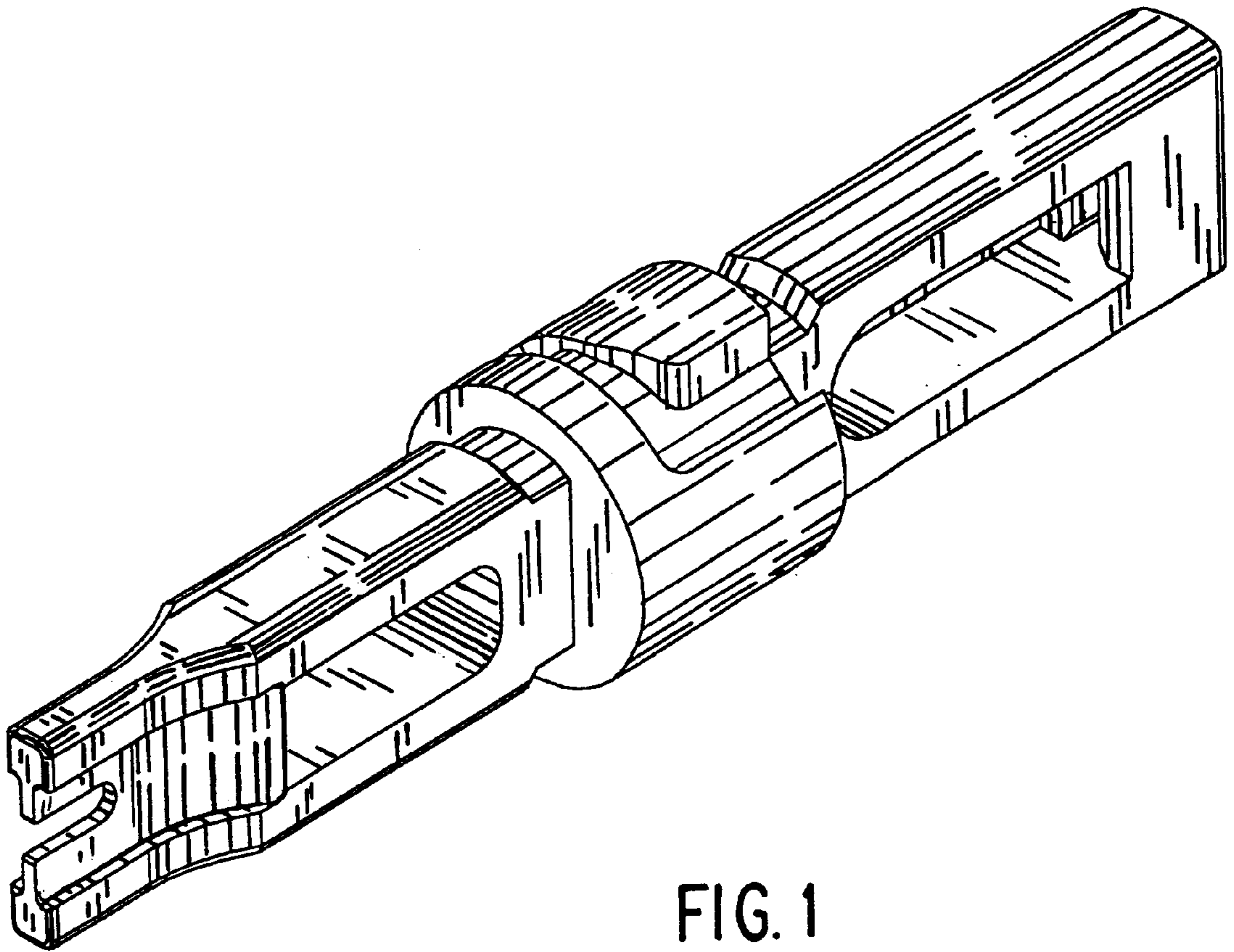
[56] **References Cited**

U.S. PATENT DOCUMENTS

D. 409,470 5/1999 Barry D8/14

1 Claim, 3 Drawing Sheets





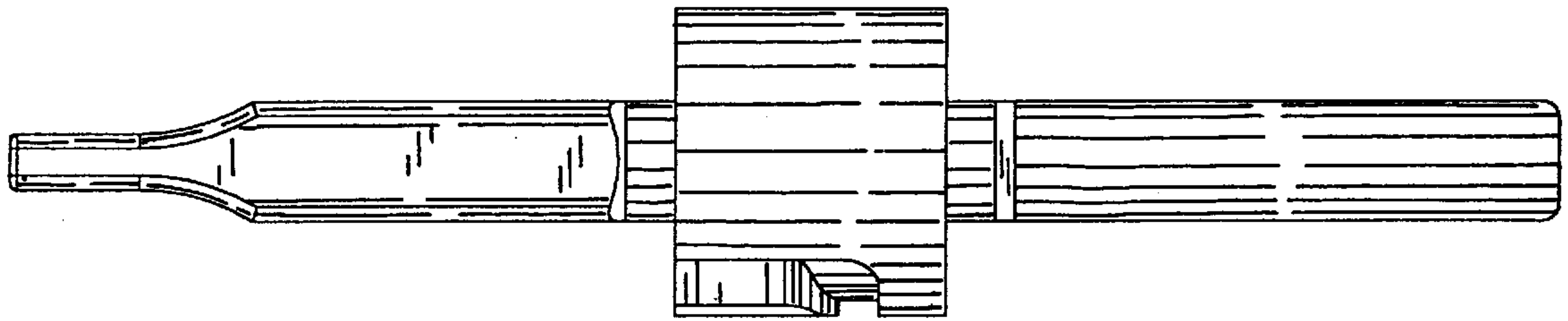


FIG. 2

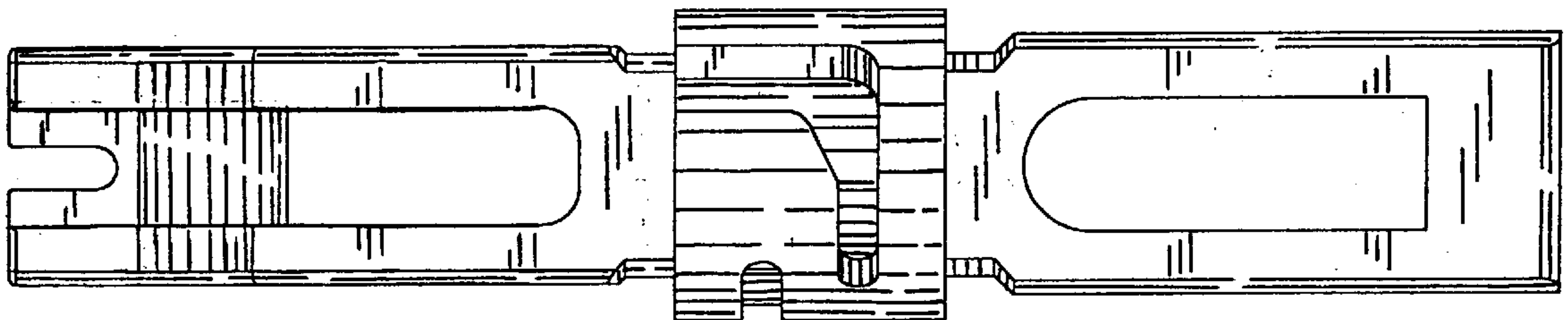


FIG. 3

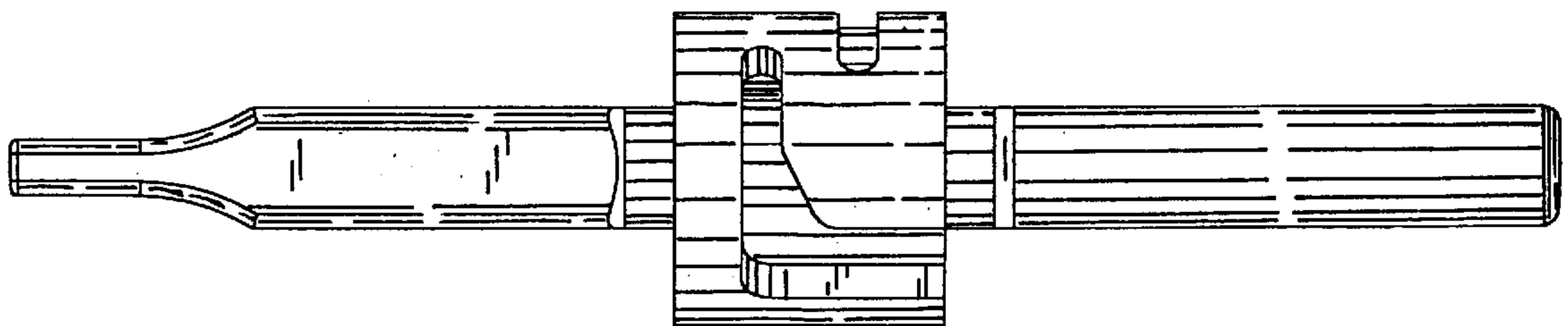


FIG. 4

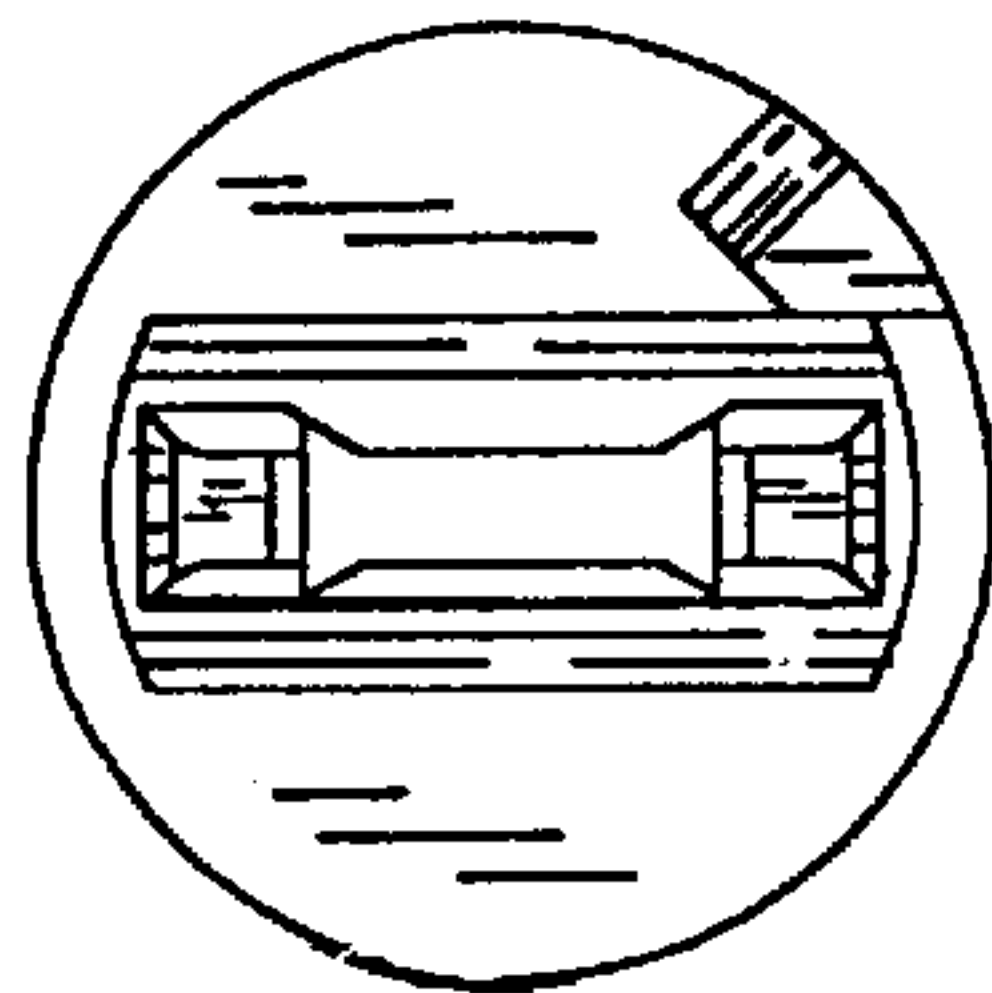


FIG. 5

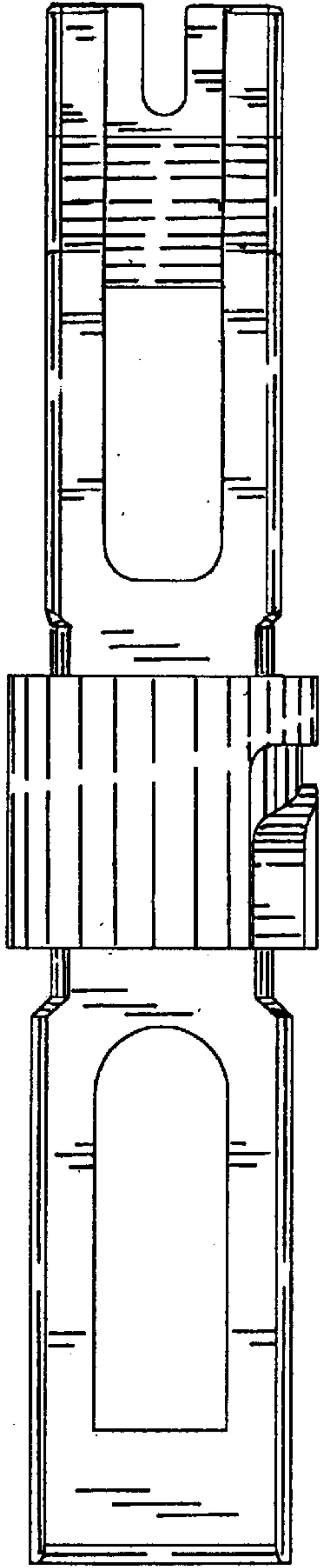


FIG. 6

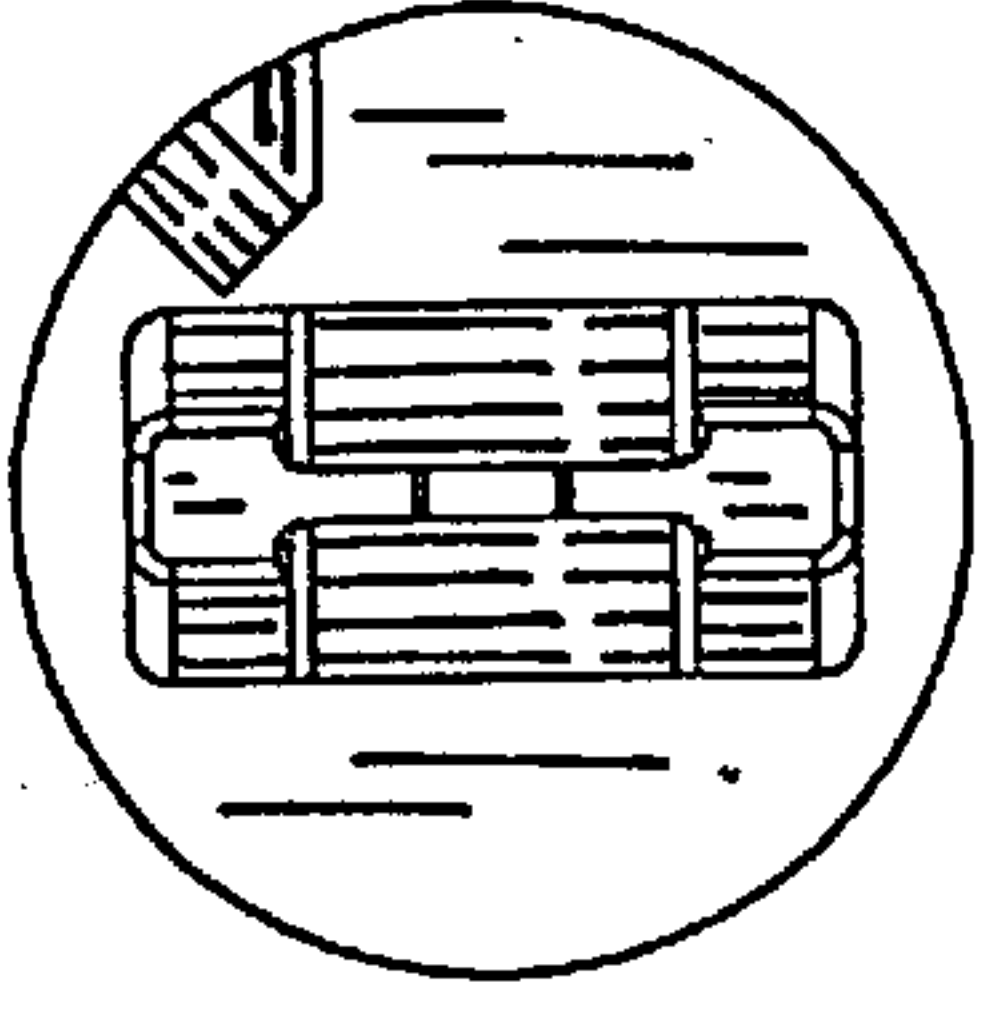


FIG. 7