



US00D431170S

United States Patent [19] Okada

[11] **Patent Number: Des. 431,170**

[45] **Date of Patent: ** Sep. 26, 2000**

[54] **CUTTER KNIFE HOLDER**

5,502,896 4/1996 Chen 30/162

[75] Inventor: **Shoji Okada**, Osaka, Japan

OTHER PUBLICATIONS

“Olfa Product Guide”, catalogue No. 97, issued Dec., 1997.

[73] Assignee: **Olfa Corporation**, Japan

Primary Examiner—Philip S. Hyder
Attorney, Agent, or Firm—Ostrolenk, Faber, Gerb & Soffen, LLP

[**] Term: **14 Years**

[21] Appl. No.: **29/110,138**

[57] CLAIM

[22] Filed: **Aug. 31, 1999**

The ornamental design for a cutter knife holder, as shown and described.

[30] Foreign Application Priority Data

Mar. 2, 1999 [JP] Japan 11-5364

DESCRIPTION

[51] **LOC (7) Cl.** **08-03**

FIG. 1 is a perspective view of a cutter knife holder showing my new design;

[52] **U.S. Cl.** **D8/98; D8/99**

FIG. 2 is a top plan view thereof;

[58] **Field of Search** D8/98, 99; 30/162,

FIG. 3 is a front elevational view thereof;

30/329, 335, 337, 320

FIG. 4 is a bottom plan view thereof;

[56] References Cited

U.S. PATENT DOCUMENTS

D. 347,563	6/1994	Okada	D8/99
D. 354,900	1/1995	Hirai	D8/99
D. 386,959	12/1997	Okada	D8/99
D. 392,173	3/1998	Okada	D8/99
D. 398,829	9/1998	Okada	D8/99
D. 399,114	10/1998	Okada	D8/99
D. 412,822	8/1999	Gilbert et al.	D8/99

FIG. 5 is a rear elevational view thereof;

FIG. 6 is a left end view thereof;

FIG. 7 is a right end view thereof; and,

FIG. 8 is a perspective view thereof with a knife blade and a knob which are shown by broken lines.

The broken line showing of the knife blade and knob in FIG. 8 is for illustrative purposes only and forms no part of the claimed design.

1 Claim, 5 Drawing Sheets

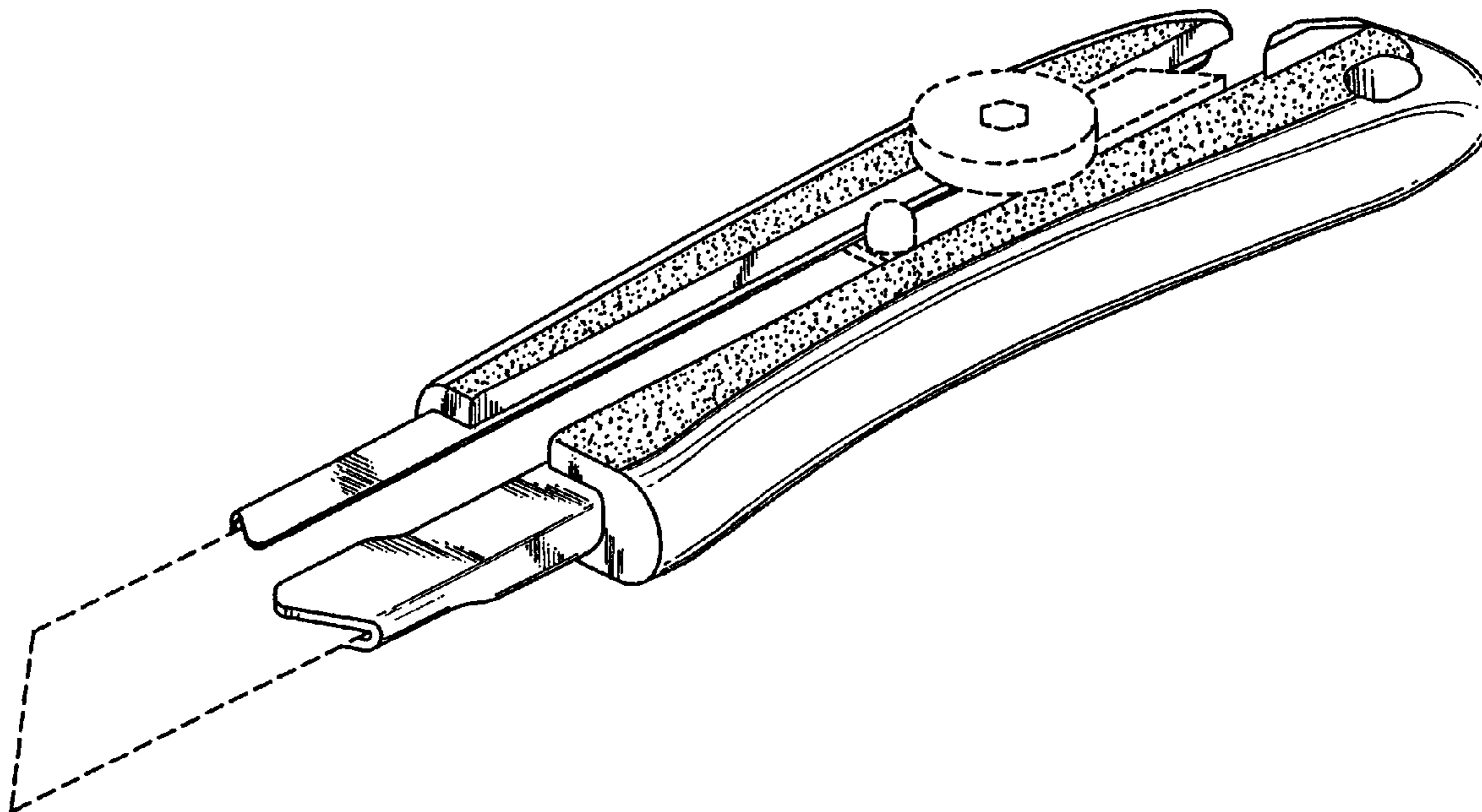


Fig.1

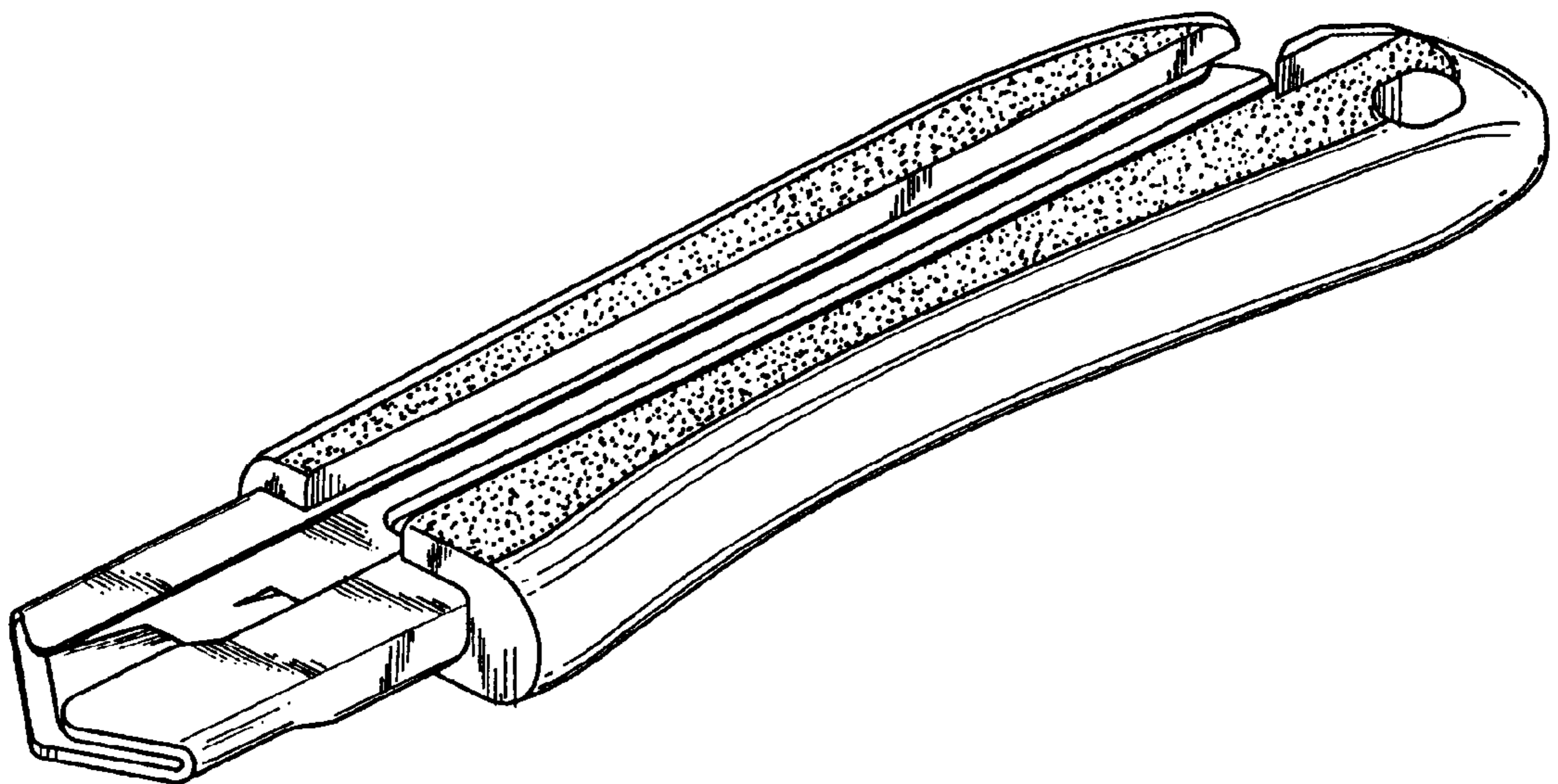


Fig.2

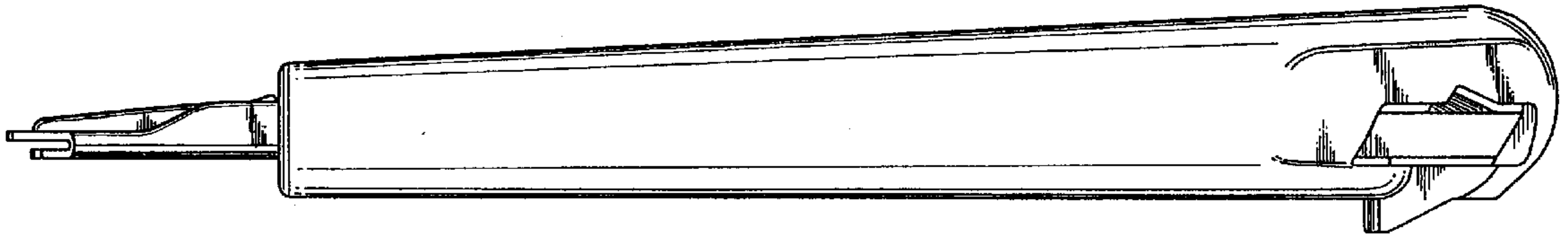


Fig.3

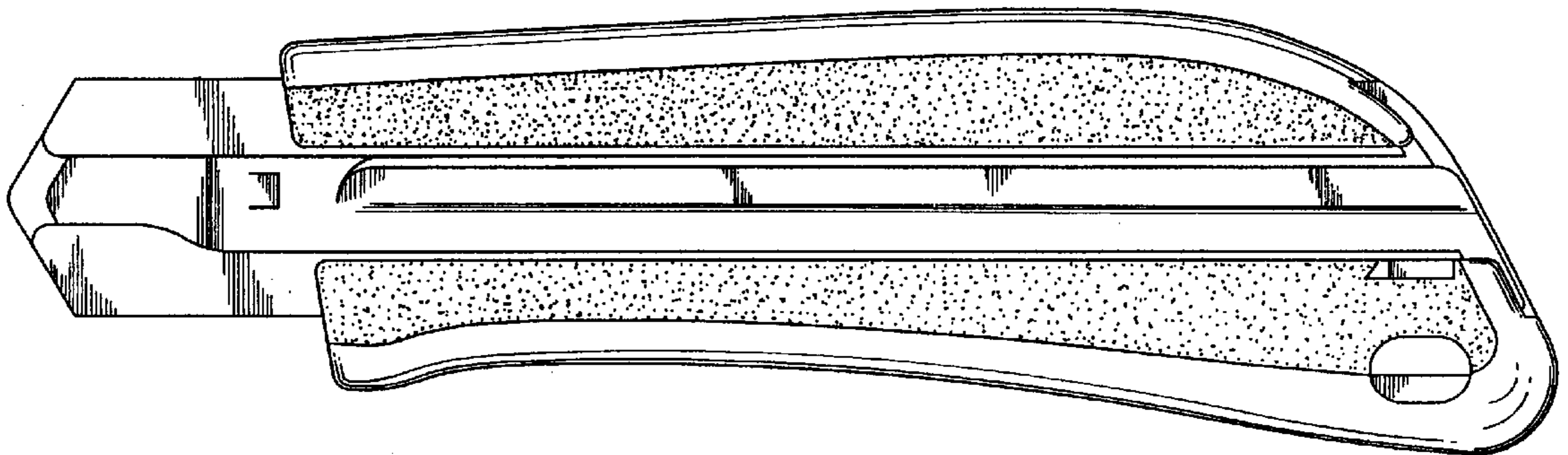


Fig.4

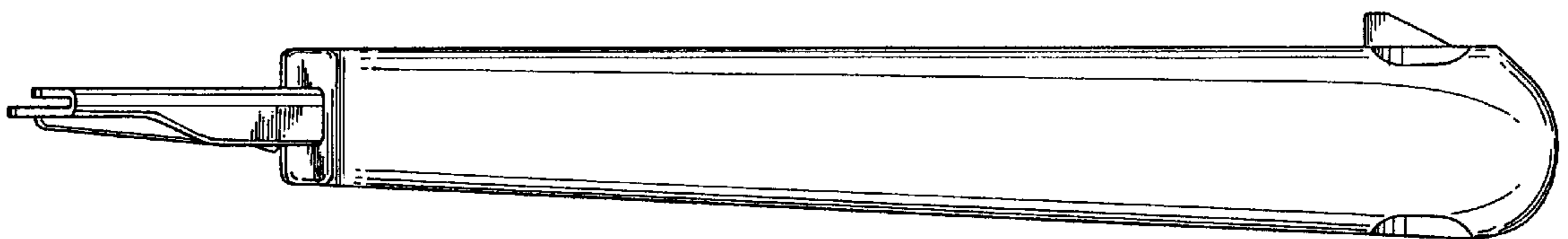


Fig. 5

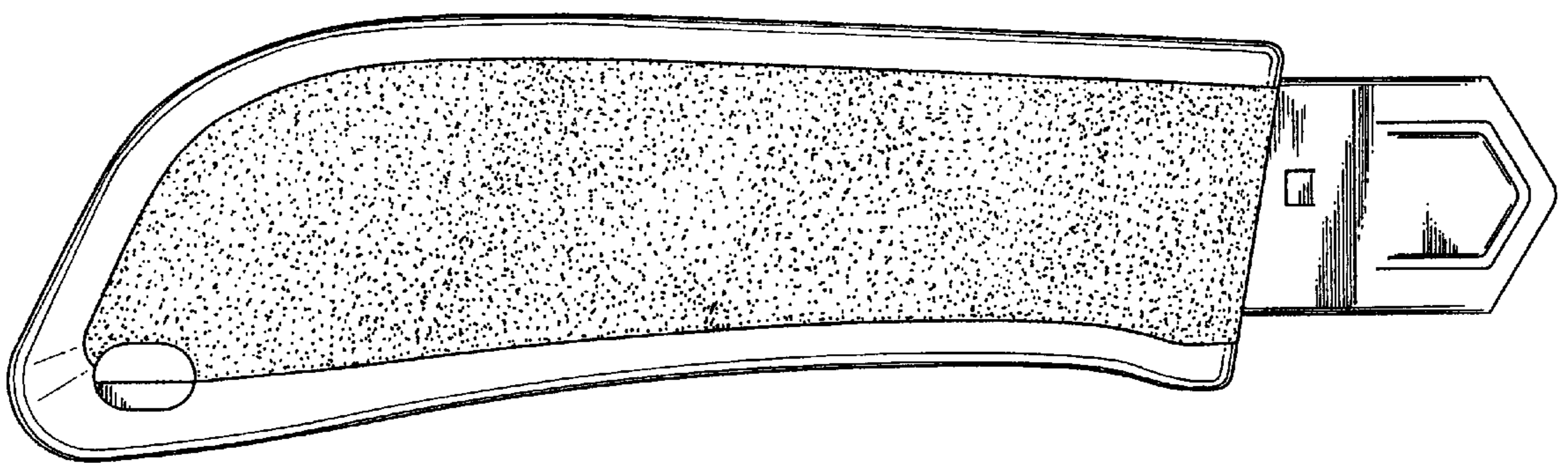


Fig.6

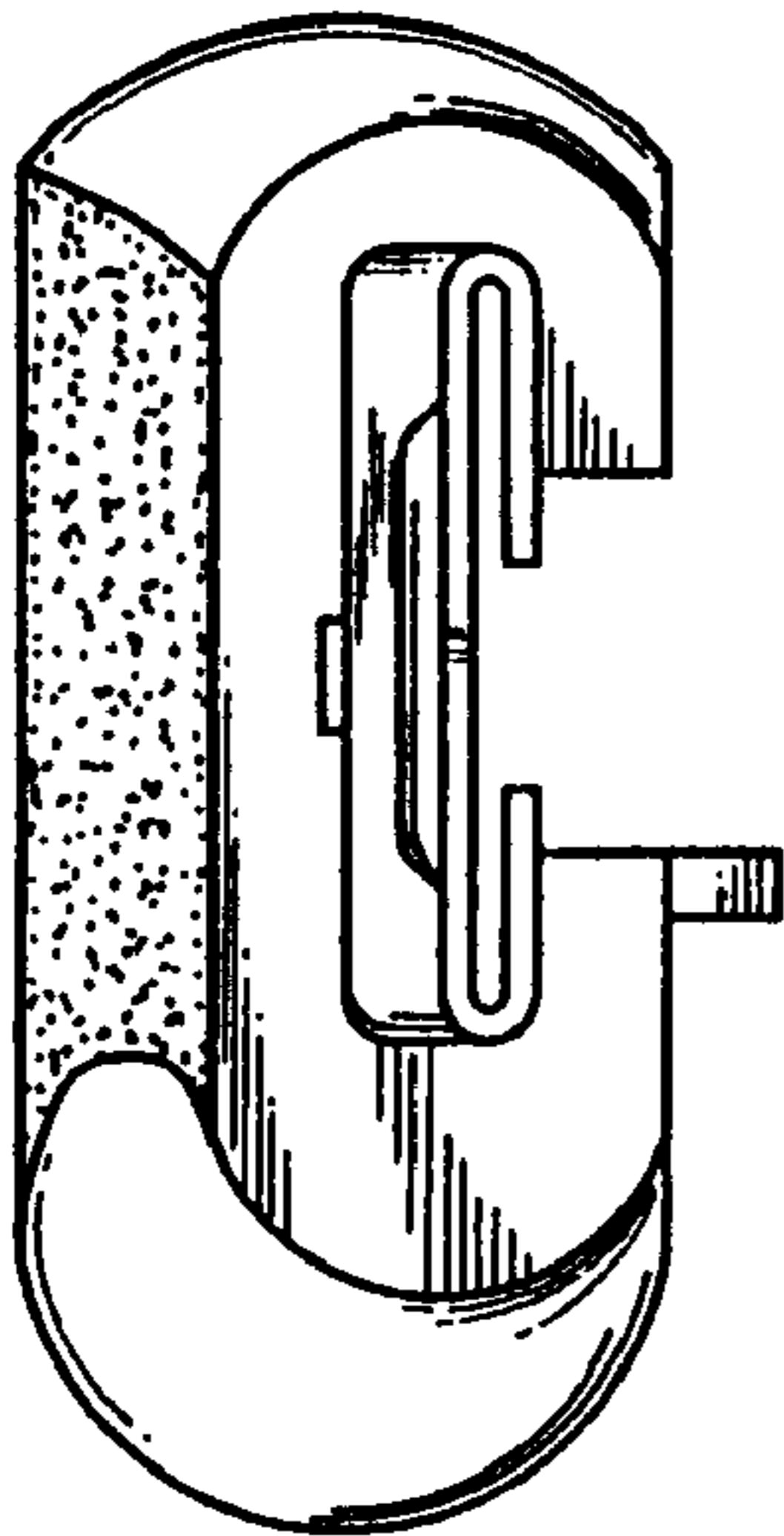


Fig.7

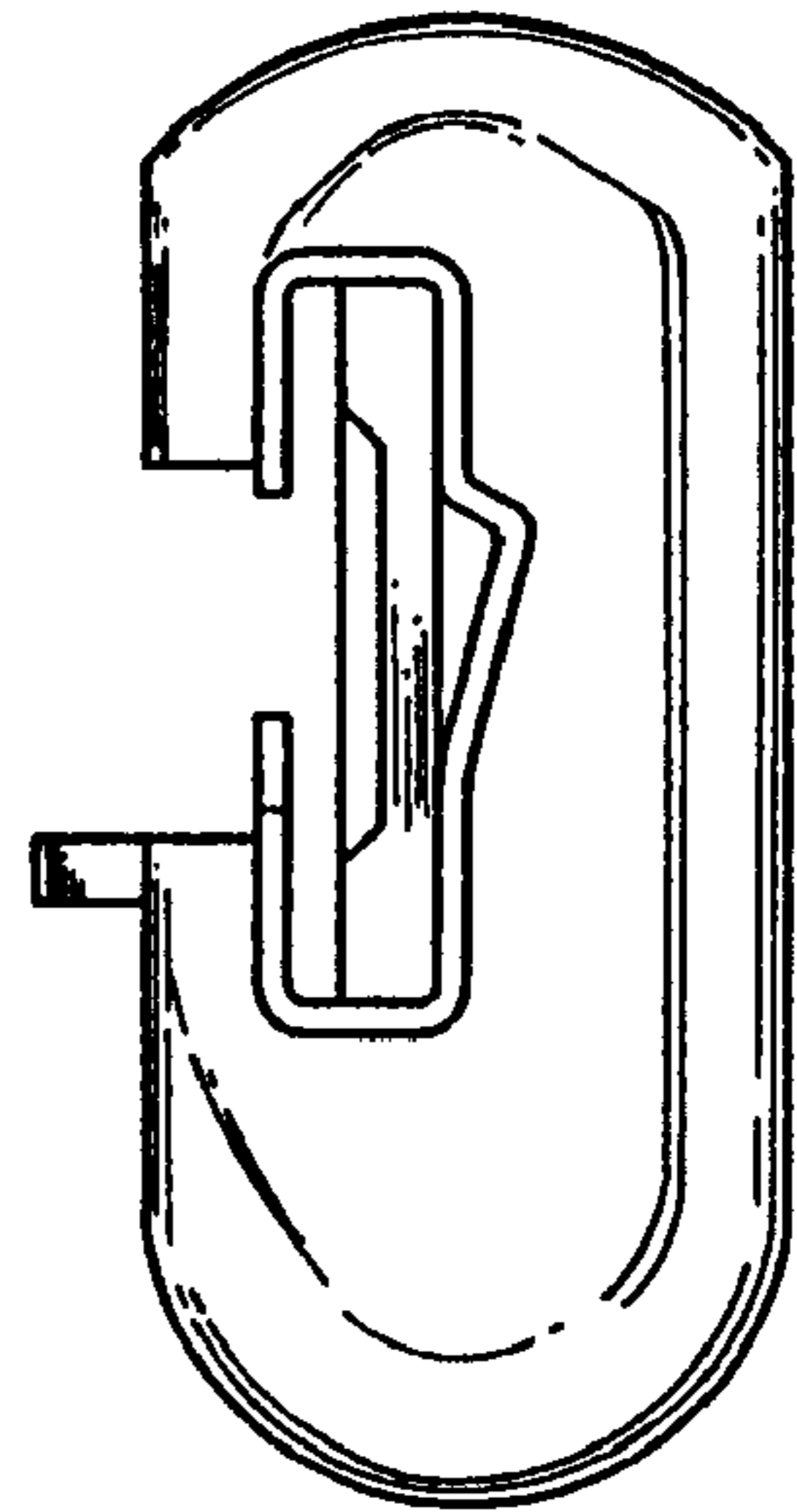


Fig.8

