



US00D431160S

# United States Patent [19]

Stadtler, II

[11] Patent Number: Des. 431,160

[45] Date of Patent: \*\* Sep. 26, 2000

[54] CUP IN THE SHAPE OF A DISTRIBUTOR CAP

[76] Inventor: Julian P. Stadtler, II, 1436 Sunland Rd., Daytona Beach, Fla. 32114

[\*\*] Term: 14 Years

[21] Appl. No.: 29/092,969

[22] Filed: Aug. 31, 1998

[51] LOC (7) Cl. .... 07-01

[52] U.S. Cl. .... D7/515; D7/536

[58] Field of Search ..... D7/536, 533, 627, D7/558, 507, 514, 515, 623; 220/23.83, 444, 771, 713, 715, 755, 621, 622

### [56] References Cited

#### U.S. PATENT DOCUMENTS

- D. 91,083 11/1933 Piazzoli ..... D7/536
- D. 332,894 2/1993 Green ..... D7/511
- D. 356,234 3/1995 Wolfenden ..... D7/536

D. 369,063 4/1996 Meisner ..... D7/533

Primary Examiner—M. N. Pandozzi

### [57] CLAIM

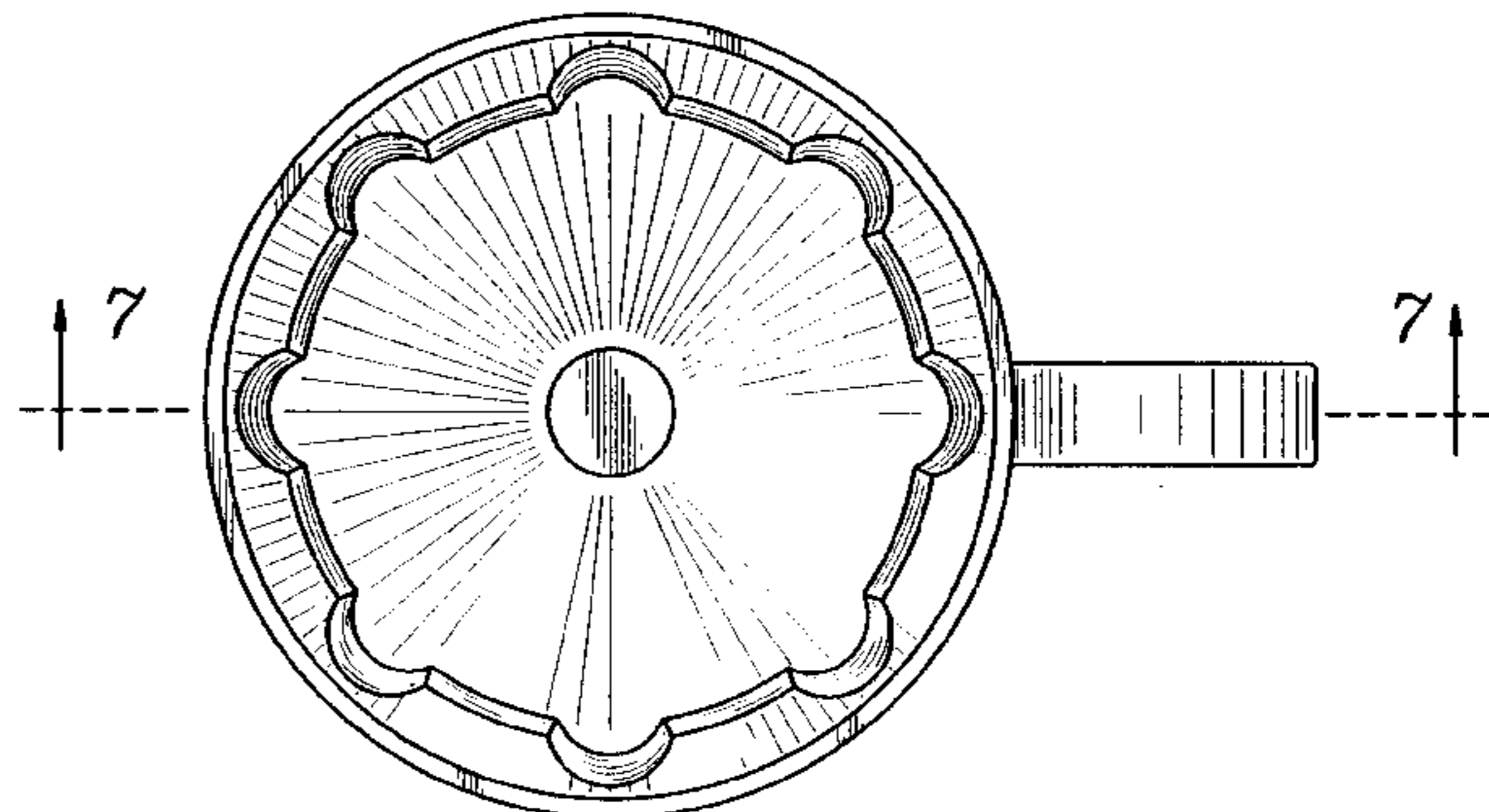
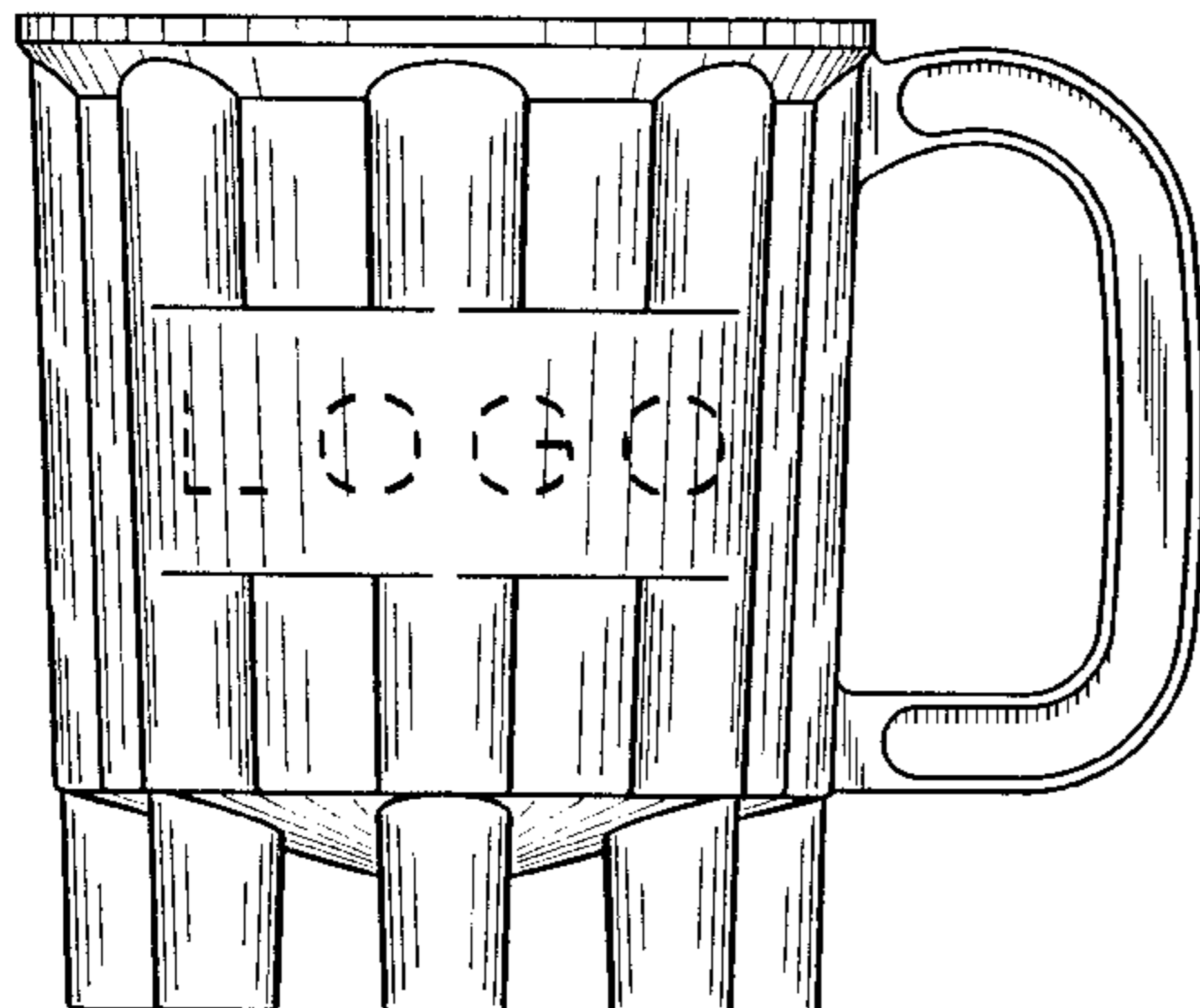
The ornamental design for the cup in the shape of a distributor cap, as shown and described.

### DESCRIPTION

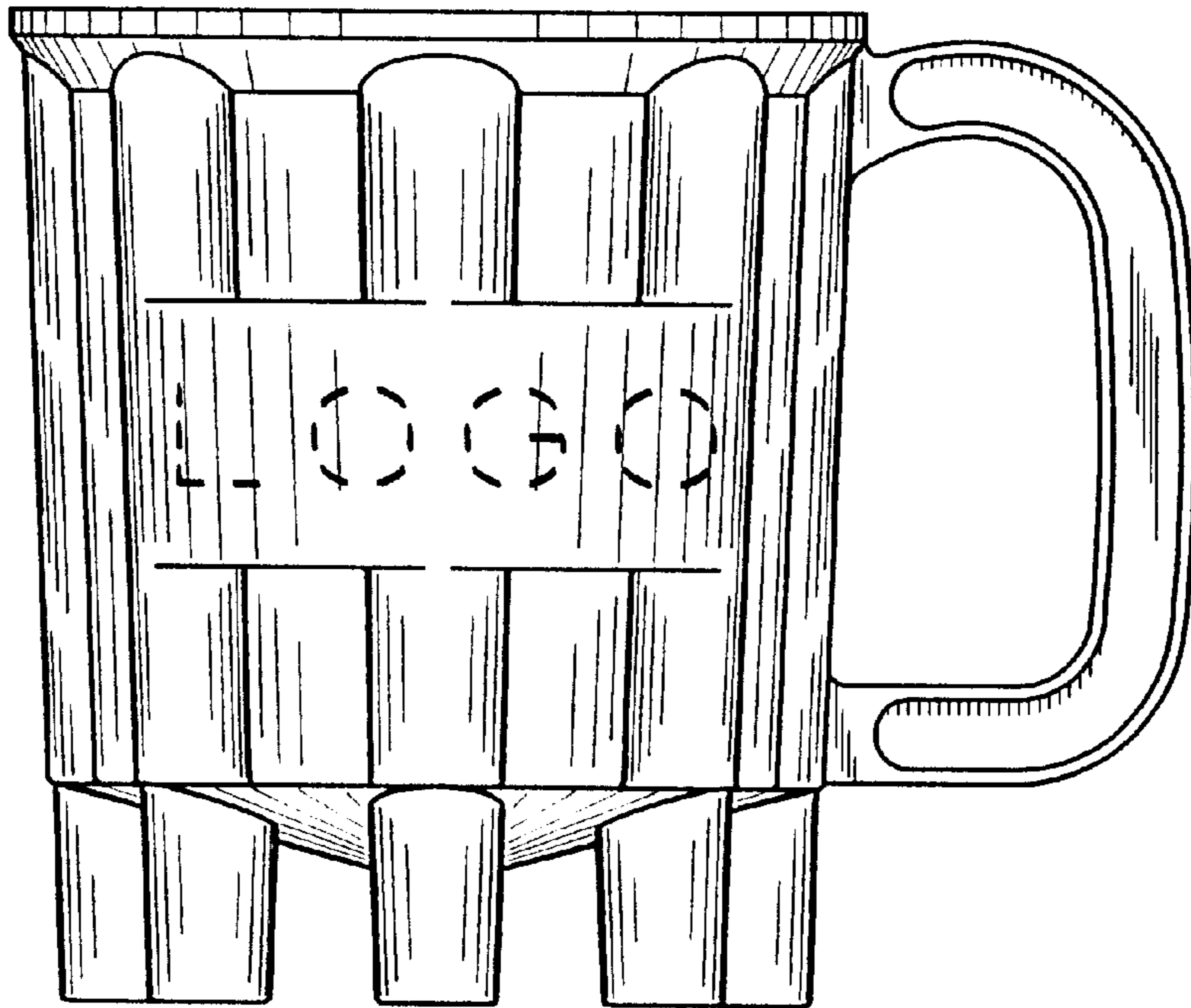
FIG. 1 is a front elevational view of a cup in the shape of a distributor cap showing my new design;  
 FIG. 2 is a rear elevational view thereof;  
 FIG. 3 is a left side elevational view thereof;  
 FIG. 4 is a right side elevational view thereof;  
 FIG. 5 is a top plan view thereof;  
 FIG. 6 is a bottom plan view thereof; and,  
 FIG. 7 is a cross-sectional elevational view thereof taken along line 13—13 of FIG. 11.

The broken line showing of the word, “LOGO” in FIGS 1 and 2 is for illustrative purposes only and forms no part of the claimed design.

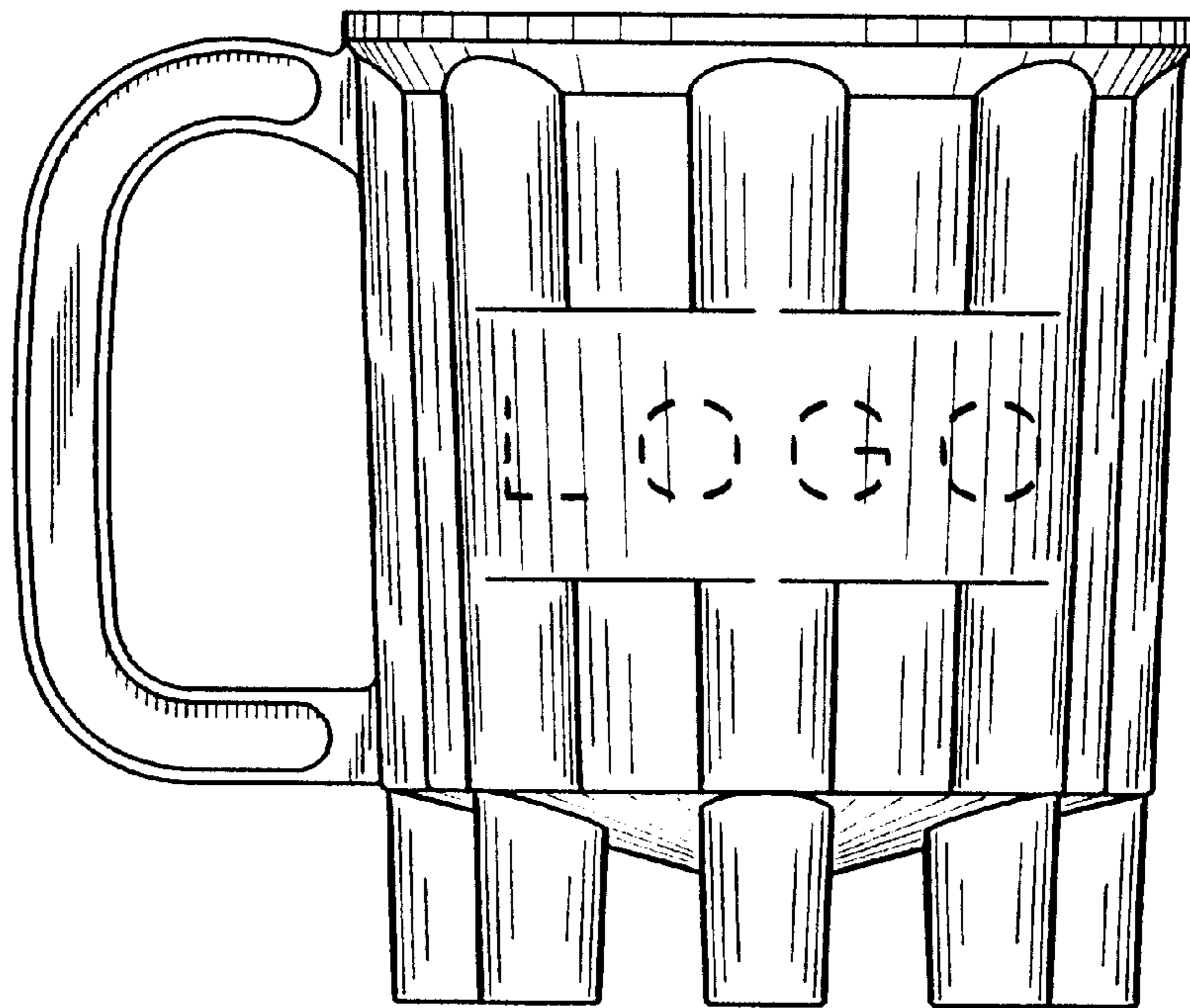
1 Claim, 3 Drawing Sheets



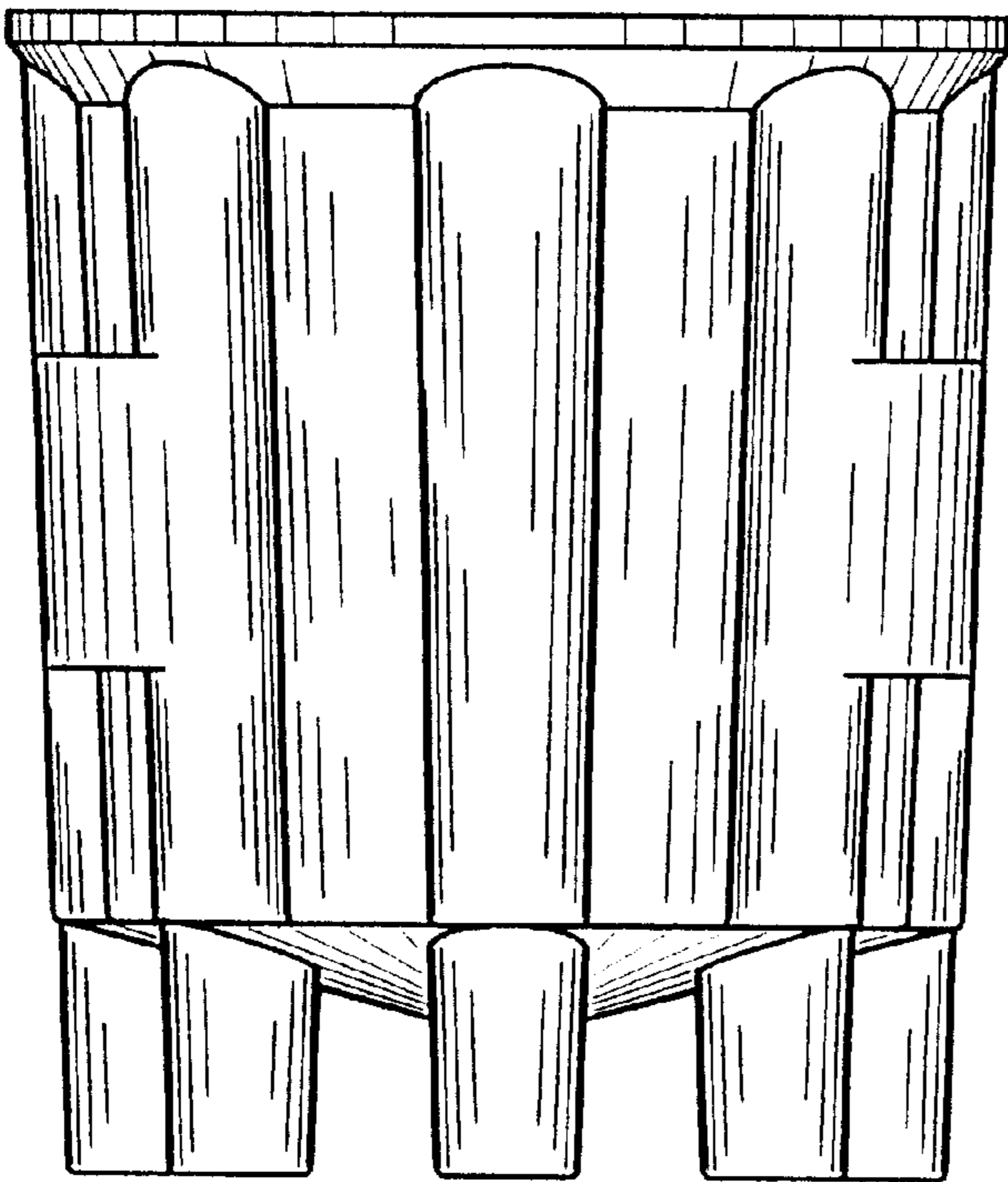
*FIG. 1*



*FIG. 2*



*FIG. 3*



*FIG. 4*

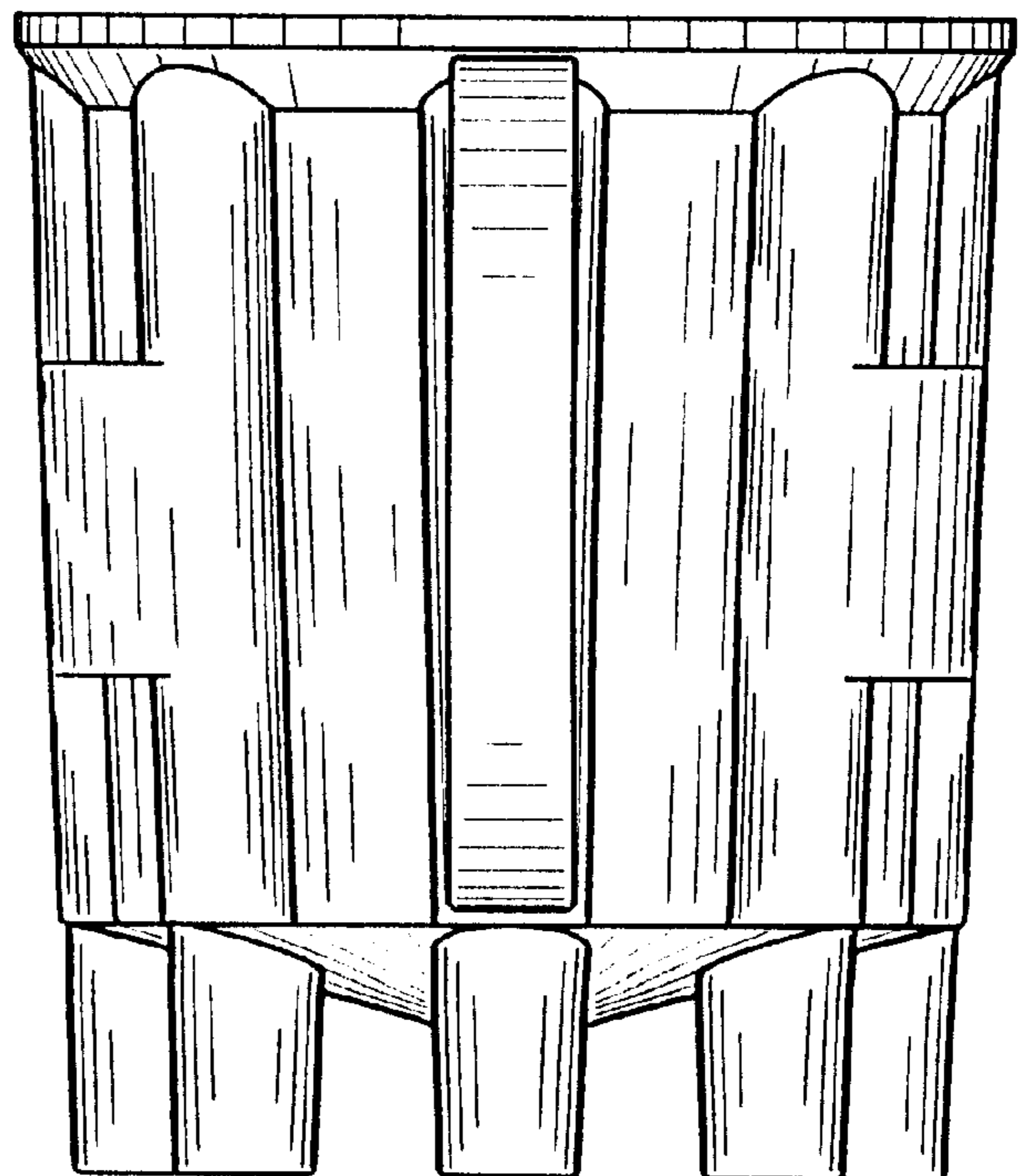


FIG. 5

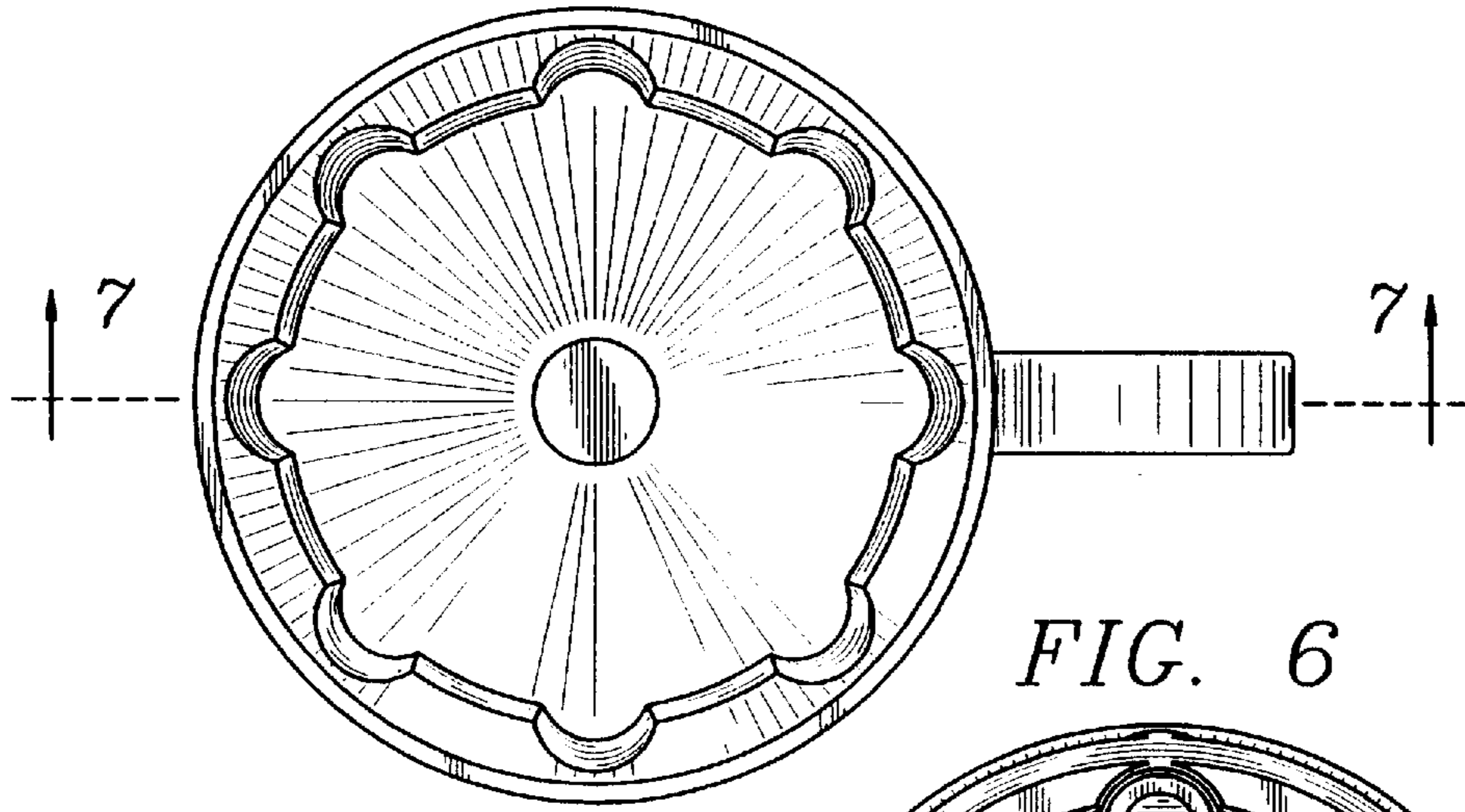


FIG. 6

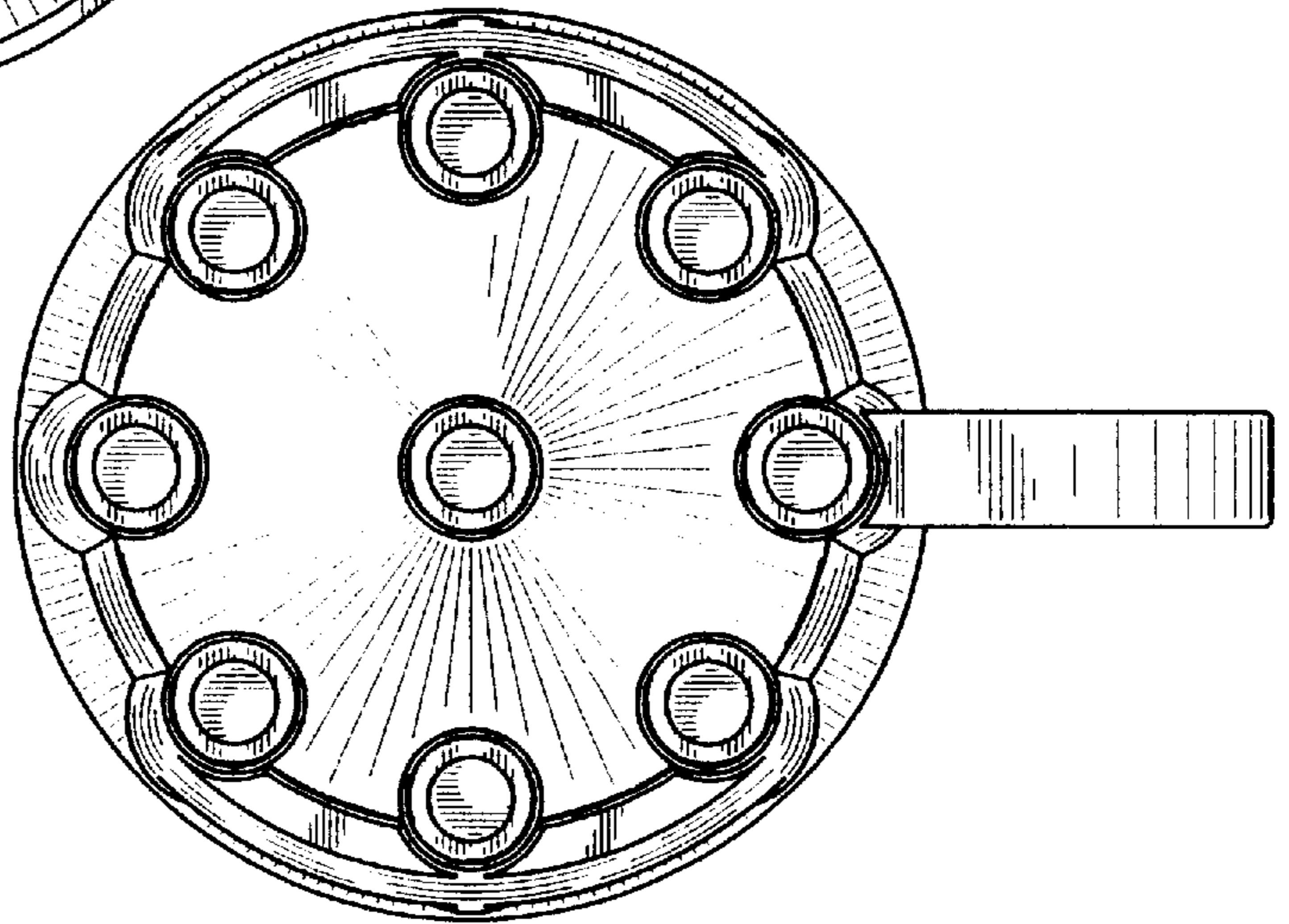


FIG. 7

