



US00D431155S

United States Patent [19] Cragg

[11] Patent Number: **Des. 431,155**

[45] Date of Patent: **** Sep. 26, 2000**

[54] **BARBECUE GRILL SHAPED LIKE A BASKETBALL**

[76] Inventor: **Brandon Cragg**, 119 Merriam Ave.,
Newton, N.J. 07860

[**] Term: **14 Years**

[21] Appl. No.: **29/111,132**

[22] Filed: **Sep. 22, 1999**

[51] **LOC (7) Cl.** **07-02**

[52] **U.S. Cl.** **D7/402; D7/332**

[58] **Field of Search** D7/331-337, 402-403;
26/25 R, 25 A, 25 AA, 9 R, 29-30, 39 R,
41 R; 99/419, 421 R; D21/707, 710, 713,
714, 716, 498, 548-550, 453

[56] **References Cited**

U.S. PATENT DOCUMENTS

D. 265,454	7/1982	Martin	D6/303
D. 330,284	10/1992	Klien et al.	D3/202
D. 357,386	4/1995	Jones	D7/606
D. 357,500	4/1995	Mutterperl	D19/36
D. 358,324	5/1995	Mitchell	D9/307
D. 408,876	4/1999	Feeney	D21/713
D. 409,443	5/1999	Clark et al.	D7/515
D. 413,598	9/1999	Cheung	D14/156

D. 416,130	11/1999	Fritsch	D2/976
D. 416,770	11/1999	Thorpe	D7/710
D. 418,004	12/1999	Taylor, Jr.	D7/332
D. 418,359	1/2000	Taylor, Jr.	D7/332
D. 421,033	2/2000	Shirley et al.	D16/227
D. 421,200	2/2000	Taylor, Jr.	D7/332

Primary Examiner—Ruth McInroy
Attorney, Agent, or Firm—Robert M. Downey, P.A.

[57] **CLAIM**

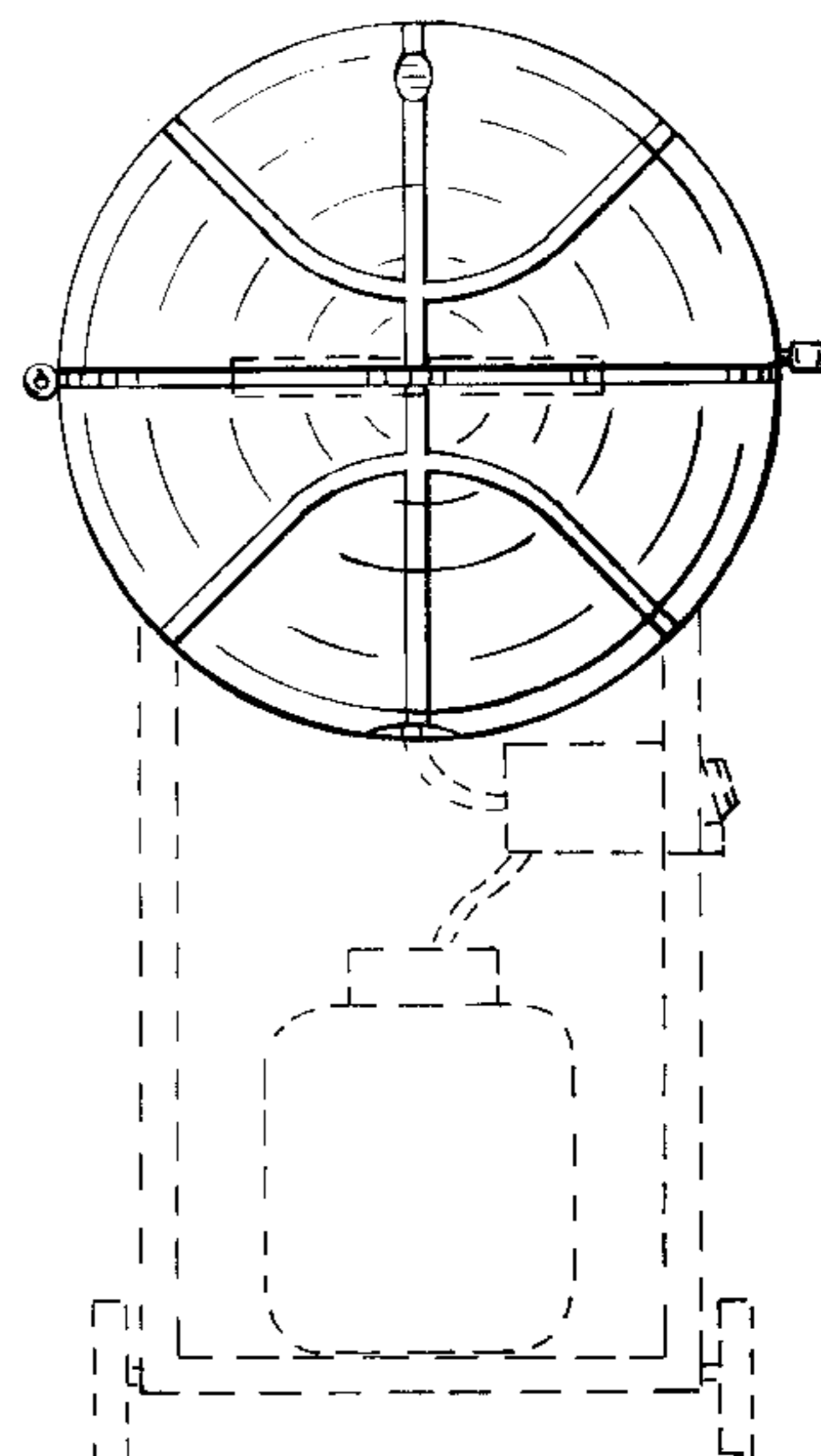
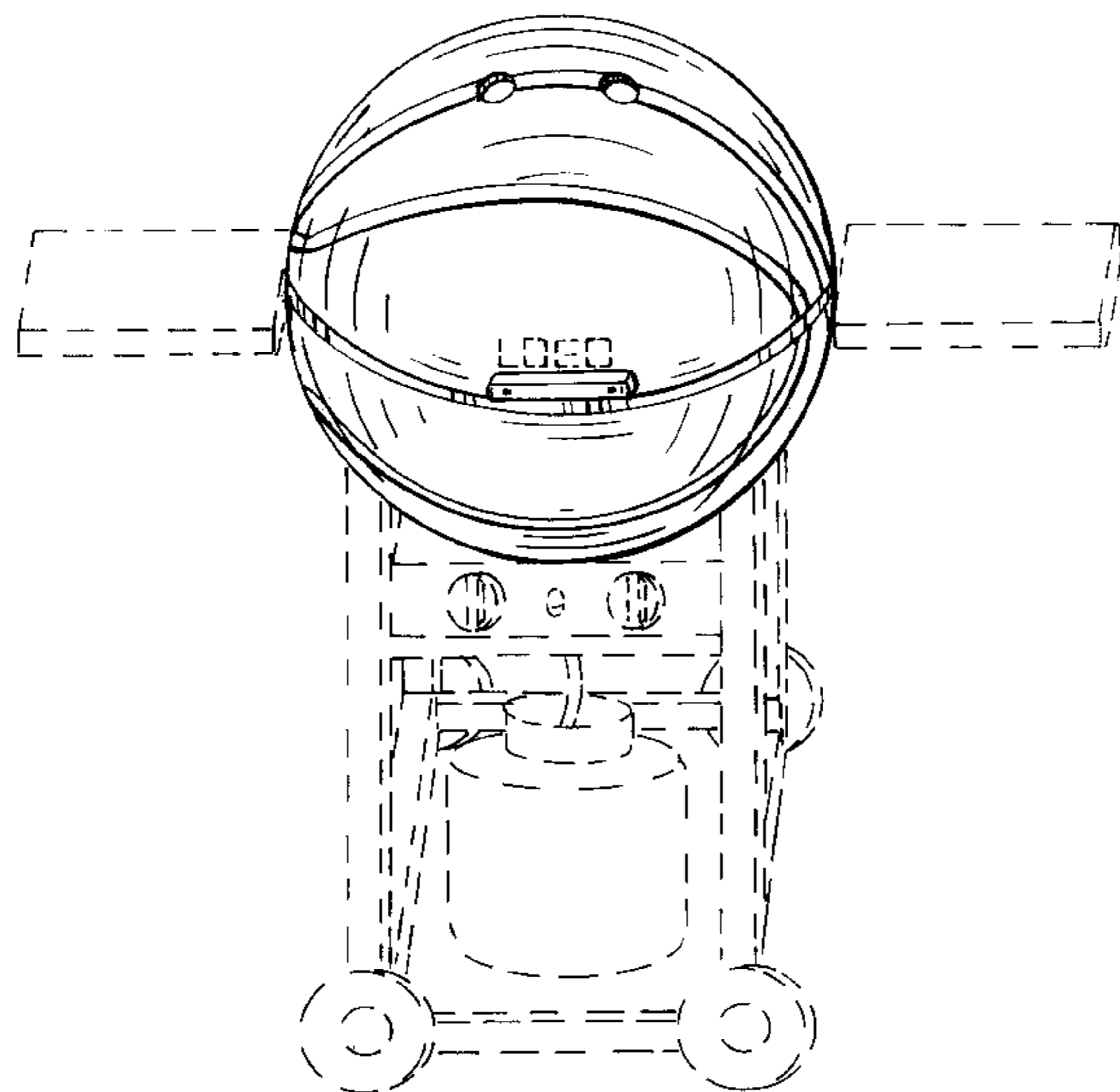
The ornamental design for a barbecue grill shaped like a basketball, as shown and described.

DESCRIPTION

FIG. 1 is a top, front perspective view of a barbecue grill shaped like a basketball showing my new design; FIG. 2 is a rear elevational view thereof; FIG. 3 is a front elevational view thereof; FIG. 4 is a right side elevational view thereof; FIG. 5 is a left side elevational view thereof; FIG. 6 is a top plan view thereof; and, FIG. 7 is a bottom plan view thereof.

The broken lines showing the barbecue cart including the console panel, the side tables, the gas tank, and the logos are for illustrative purposes only and form no part of the claimed design.

1 Claim, 6 Drawing Sheets



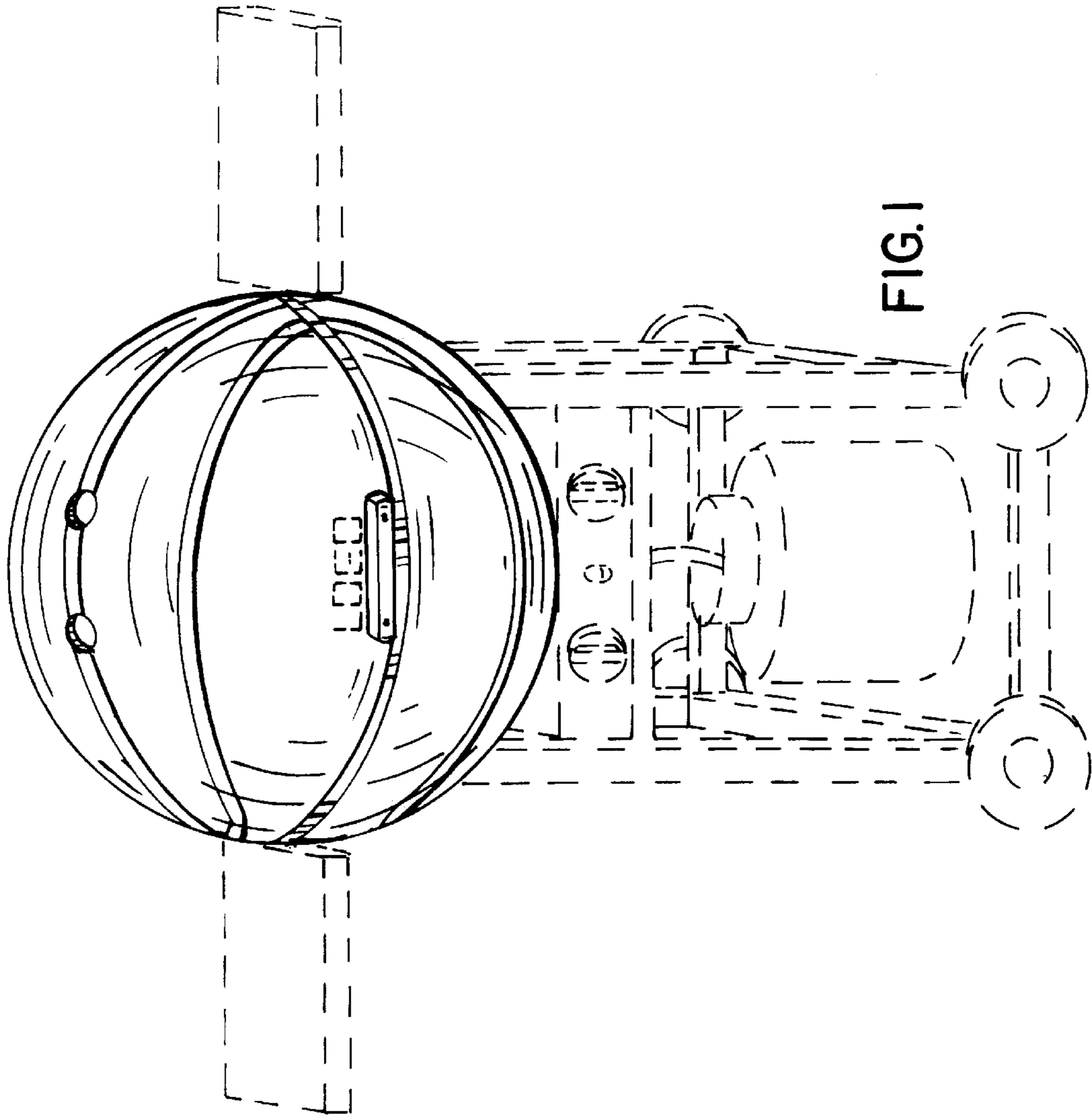
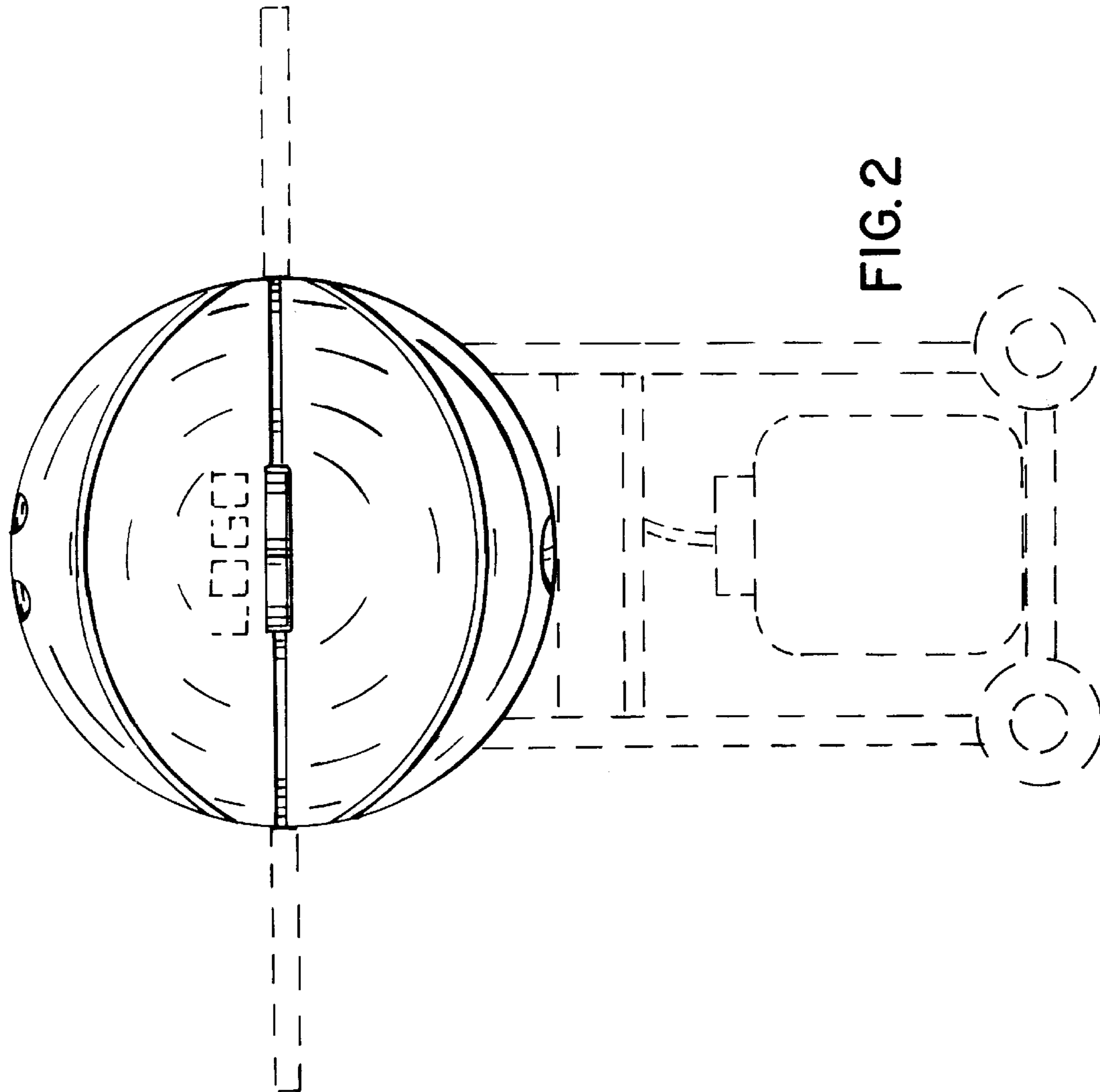


FIG. 1



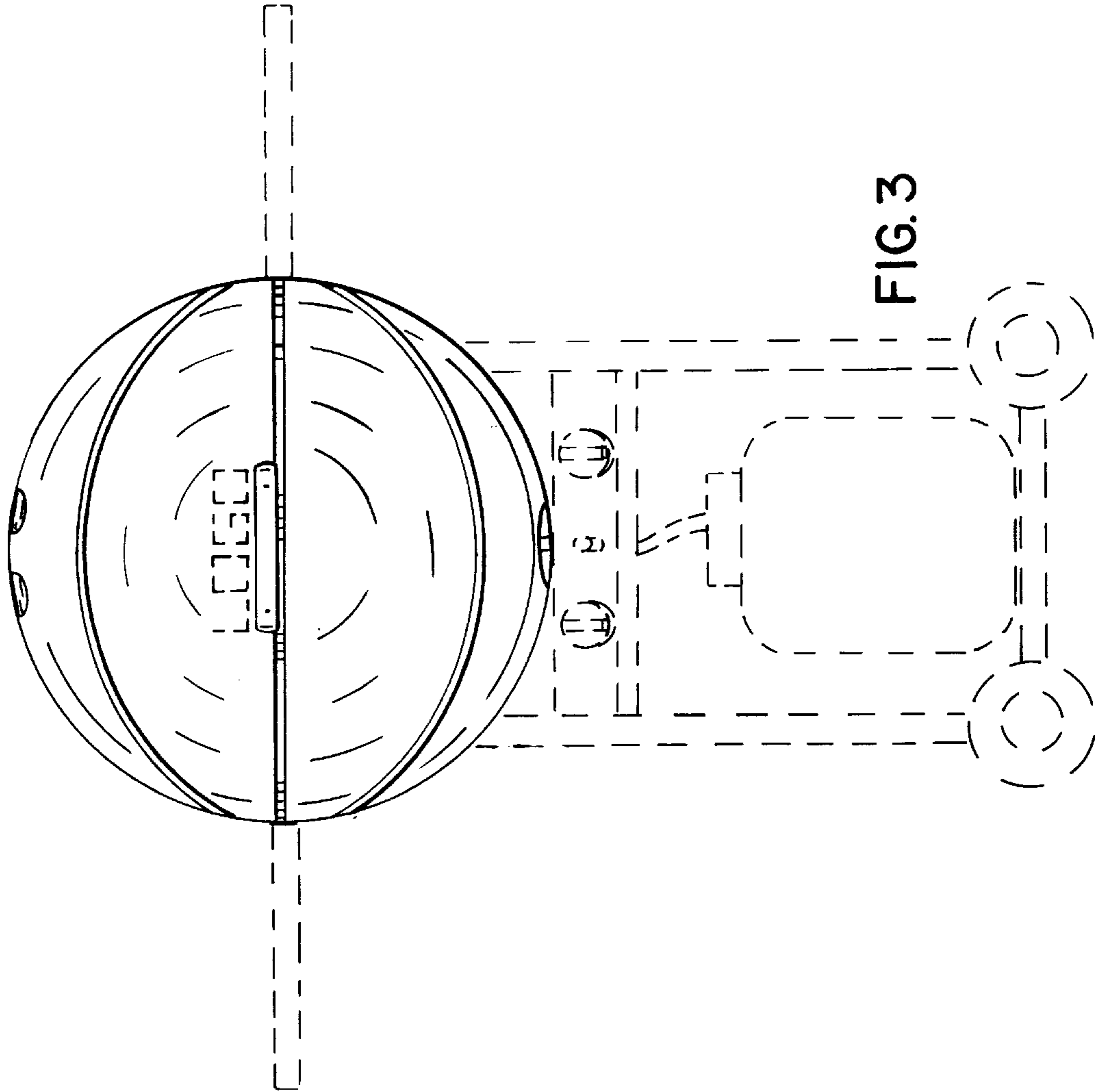


FIG. 3

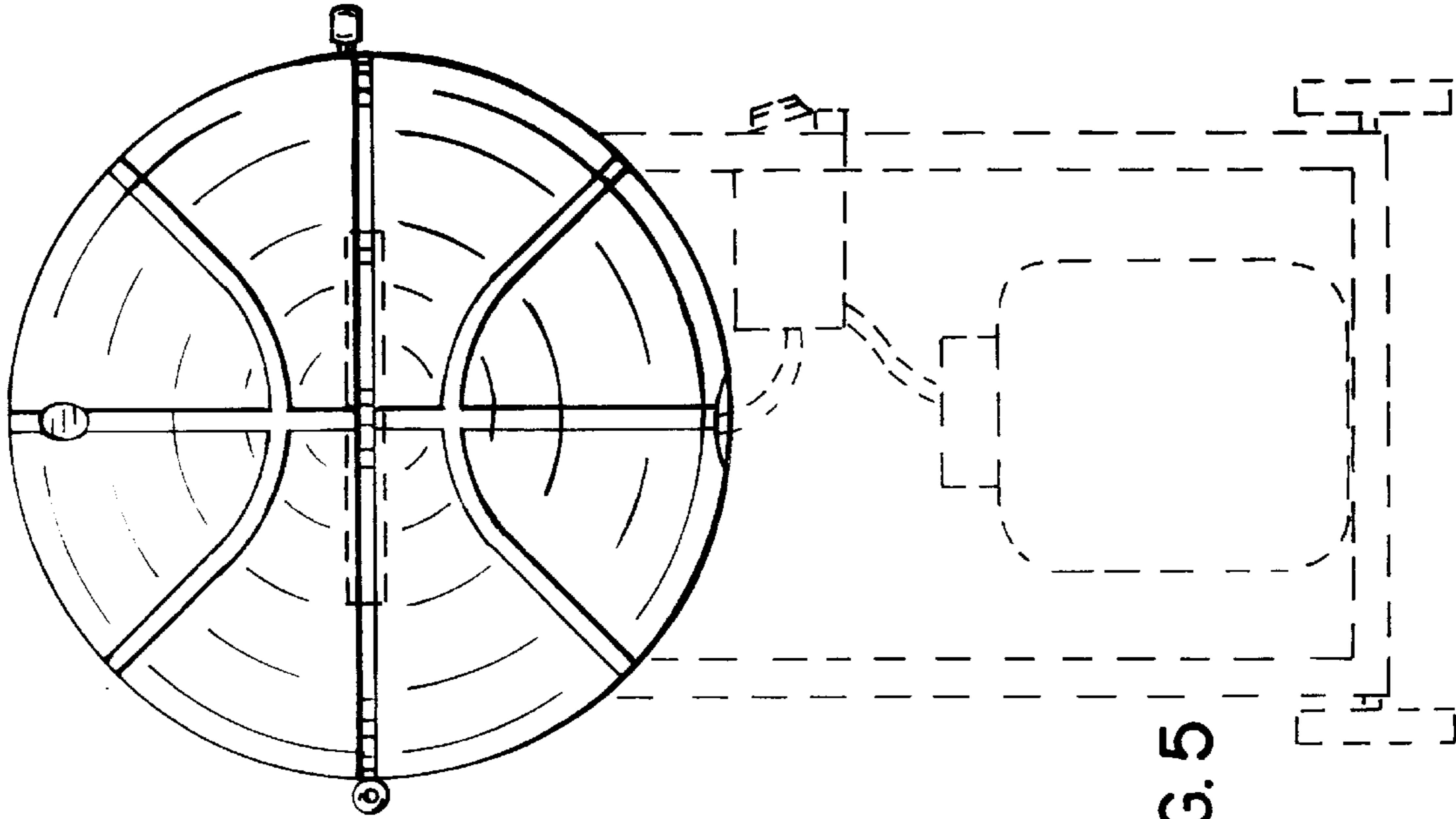


FIG. 5

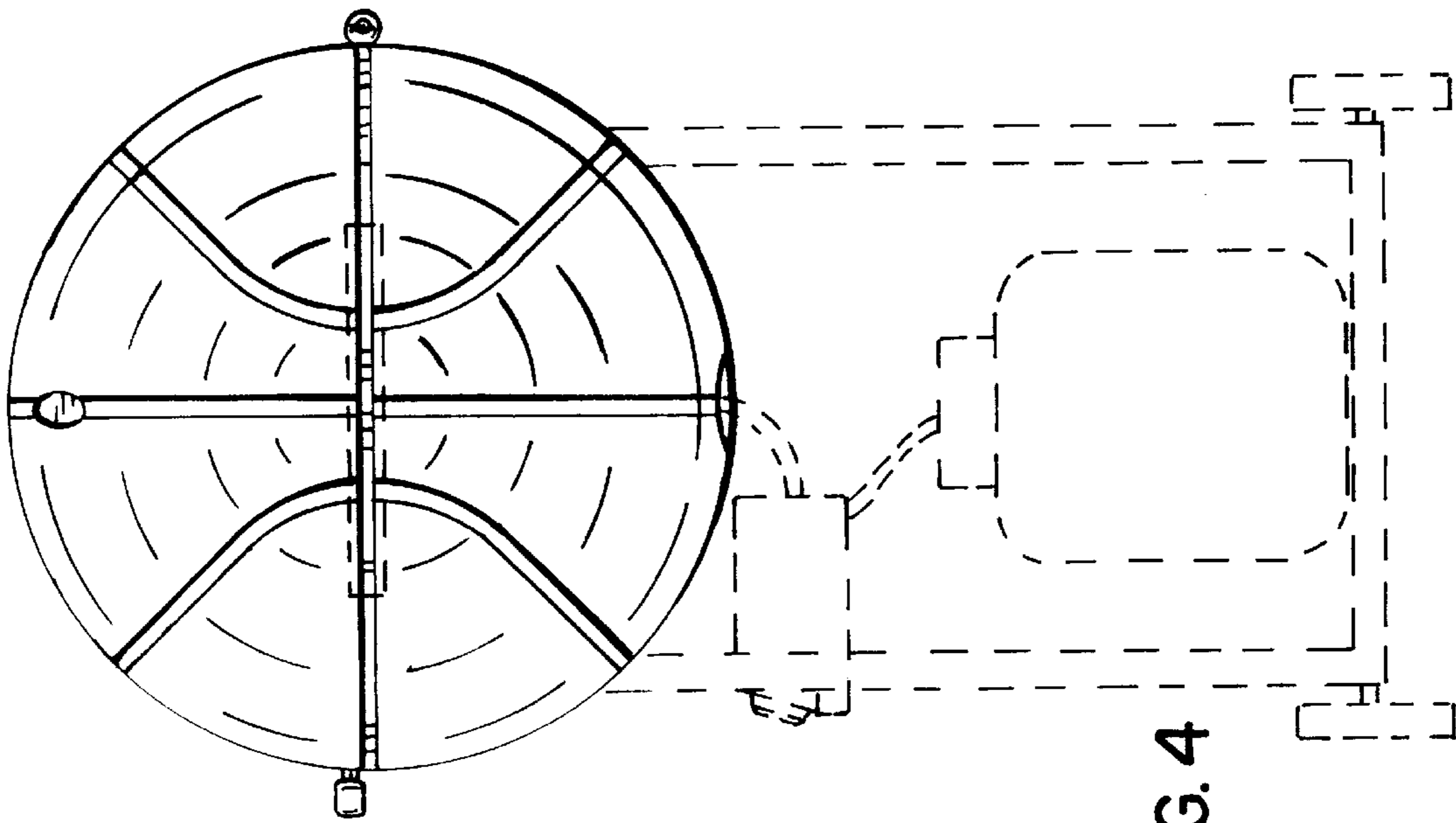


FIG. 4

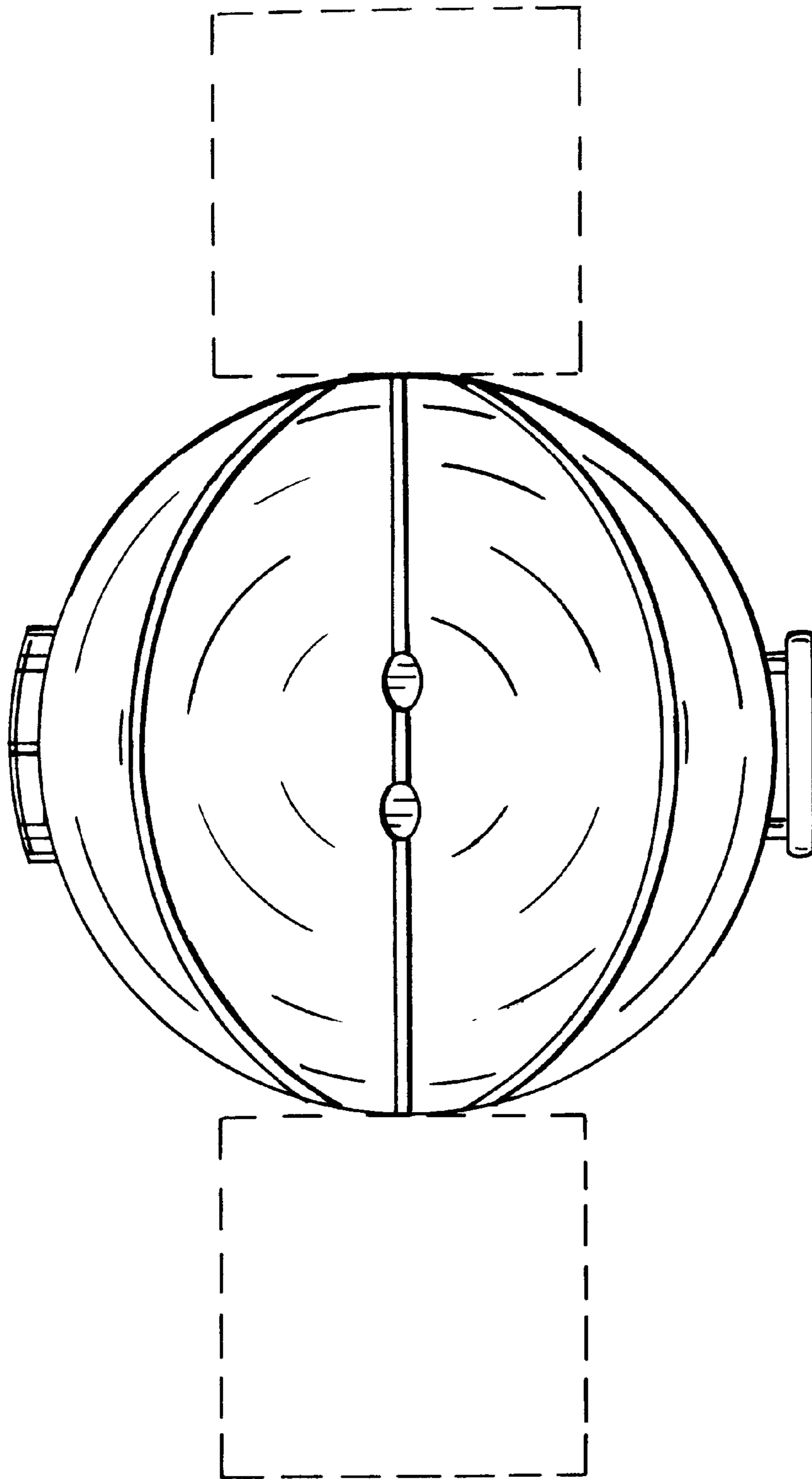


FIG. 6

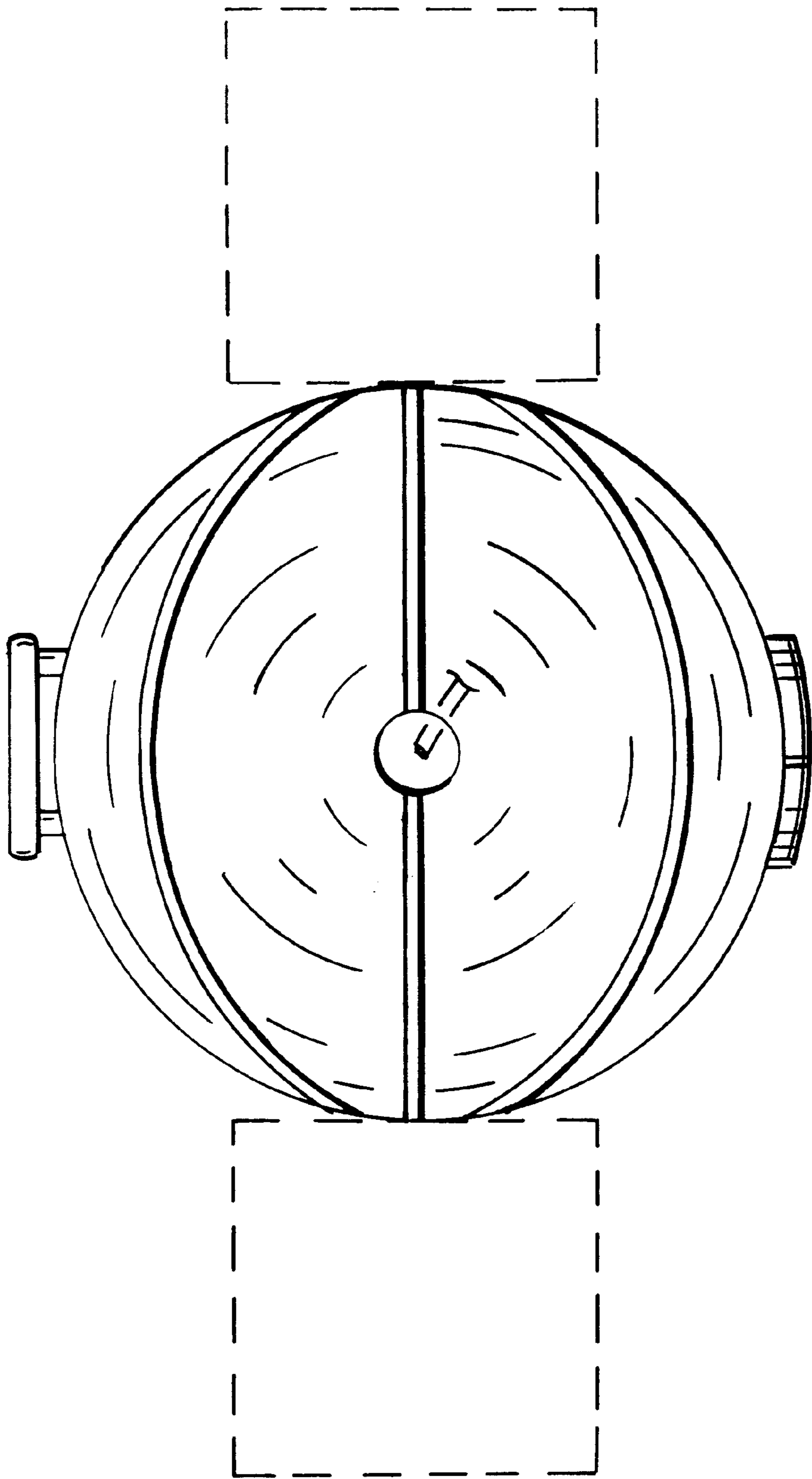


FIG. 7