



US00D431154S

United States Patent [19]
Price

[11] **Patent Number: Des. 431,154**

[45] **Date of Patent: ** Sep. 26, 2000**

[54] **CONTAINER LID**

D. 418,363 6/1997 Barnes et al. D7/392.1

[75] Inventor: **Eric Justin Price**, New Britain, Conn.

Primary Examiner—Antoine Duval Davis
Attorney, Agent, or Firm—Pennie & Edmonds LLP

[73] Assignee: **Punch Products USA, Inc.**, Rahway, N.J.

[57] **CLAIM**

[**] Term: **14 Years**

The ornamental design for a container lid, as shown and described.

[21] Appl. No.: **29/111,787**

DESCRIPTION

[22] Filed: **Oct. 5, 1999**

FIG. 1 is a perspective view of a container lid according to the present invention;
FIG. 2 is a right side view thereof, the left side view being a mirror image thereof;
FIG. 3 is a front view thereof, the rear view being a mirror image thereof;
FIG. 4 is a top view thereof;
FIG. 5 is a bottom view thereof; and,
FIG. 6 is a perspective view thereof, with a container shown in broken lines and, therefore, not constituting part of the claimed design.

[51] **LOC (7) Cl.** **07-01**

[52] **U.S. Cl.** **D7/392.1**

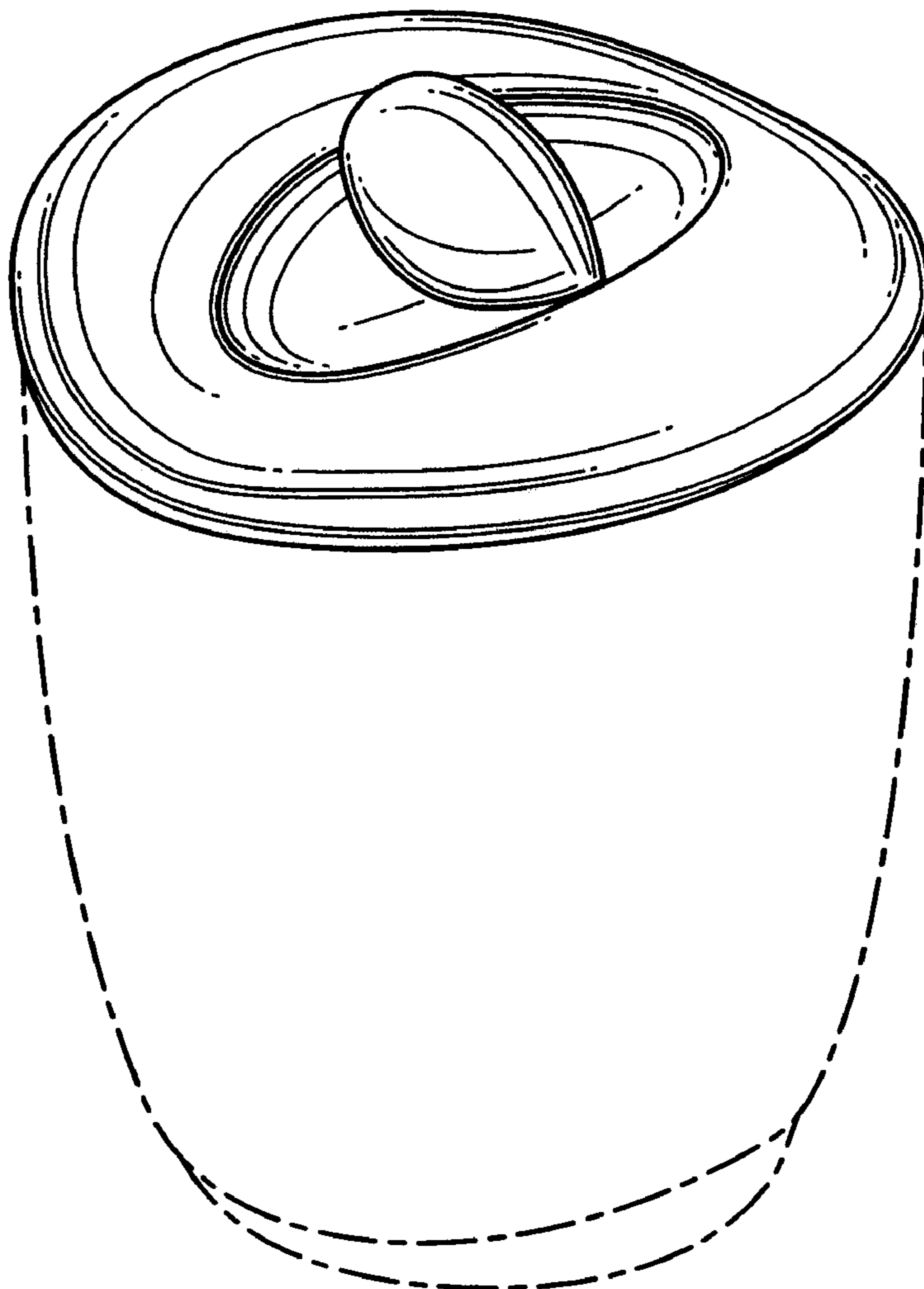
[58] **Field of Search** D7/392.1, 425-441, D7/510, 511, 316, 317, 321, 322, 703, 629, 396.2, 397, 398; D9/523-525, 529, 434-454; 220/711-715, 703, 480, 566; 229/906.1

[56] **References Cited**

U.S. PATENT DOCUMENTS

D. 379,928 6/1997 Freek et al. D7/392.1

1 Claim, 3 Drawing Sheets



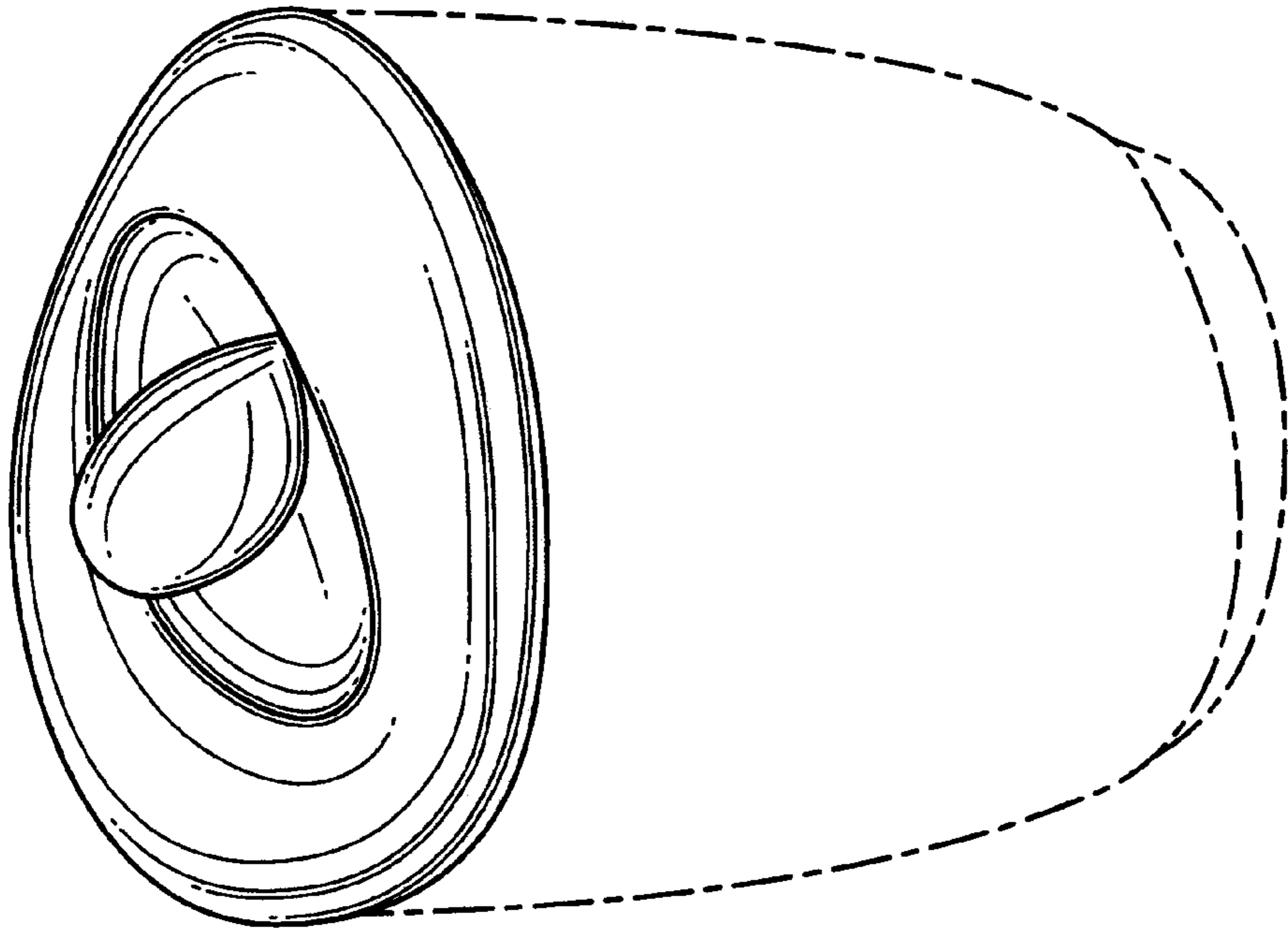


FIG. 6

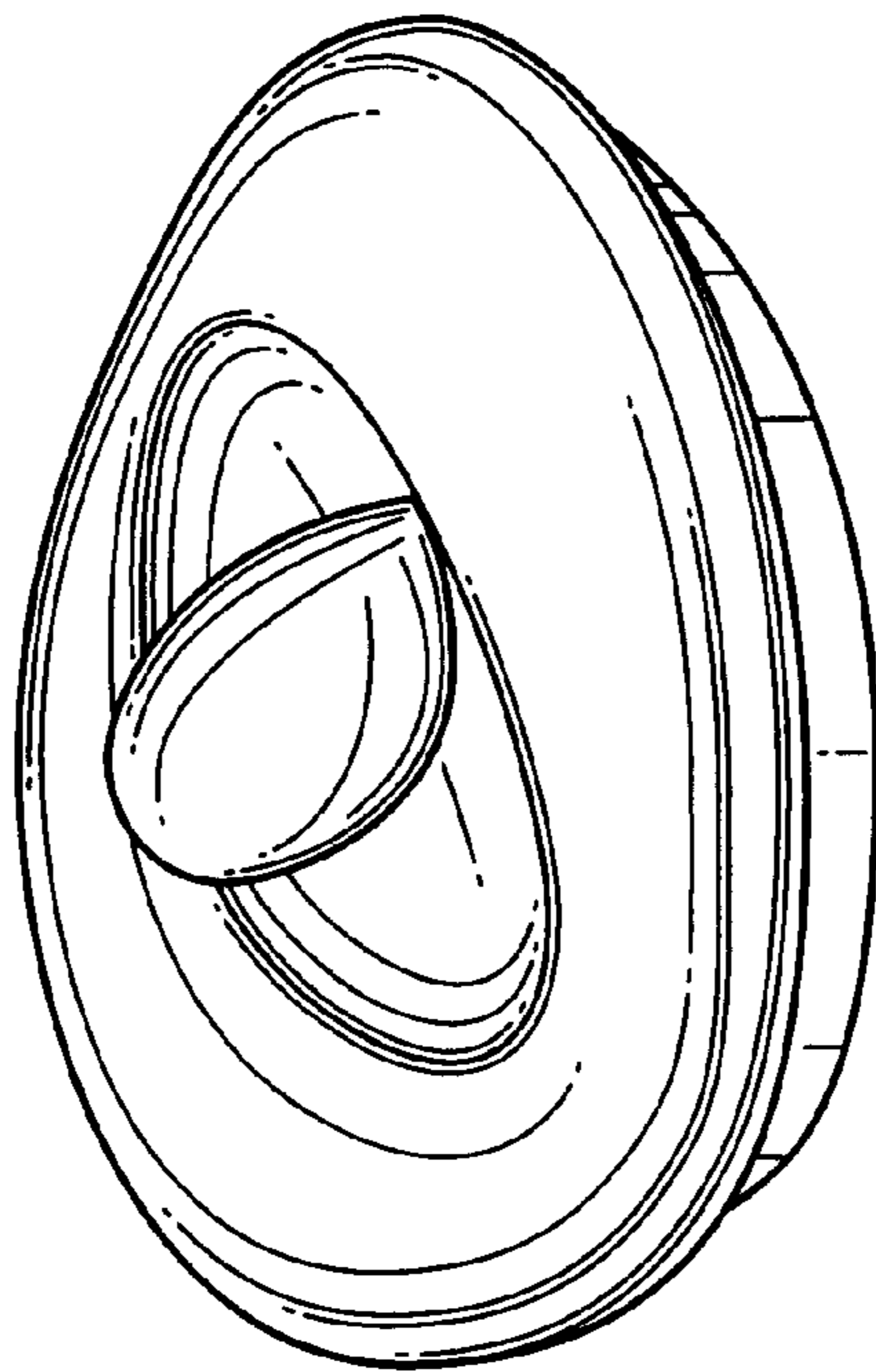


FIG. 1

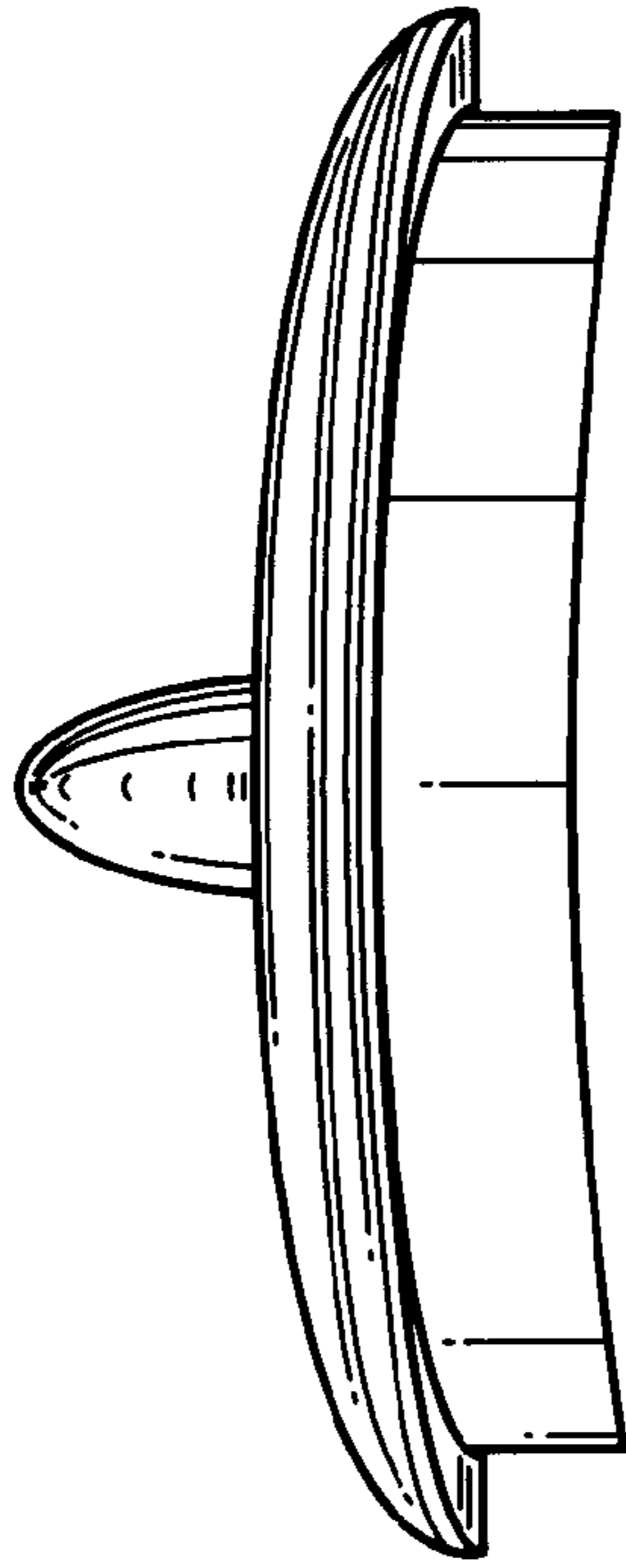


FIG. 2

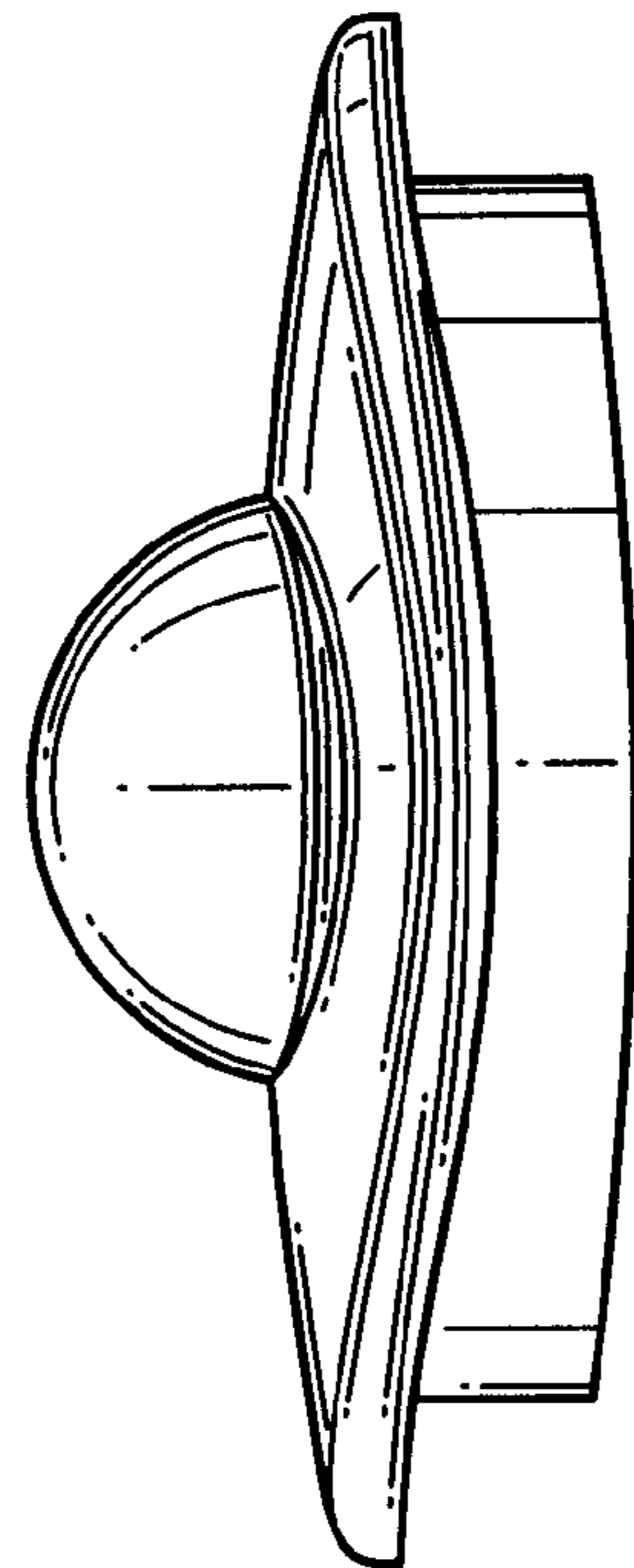


FIG. 3

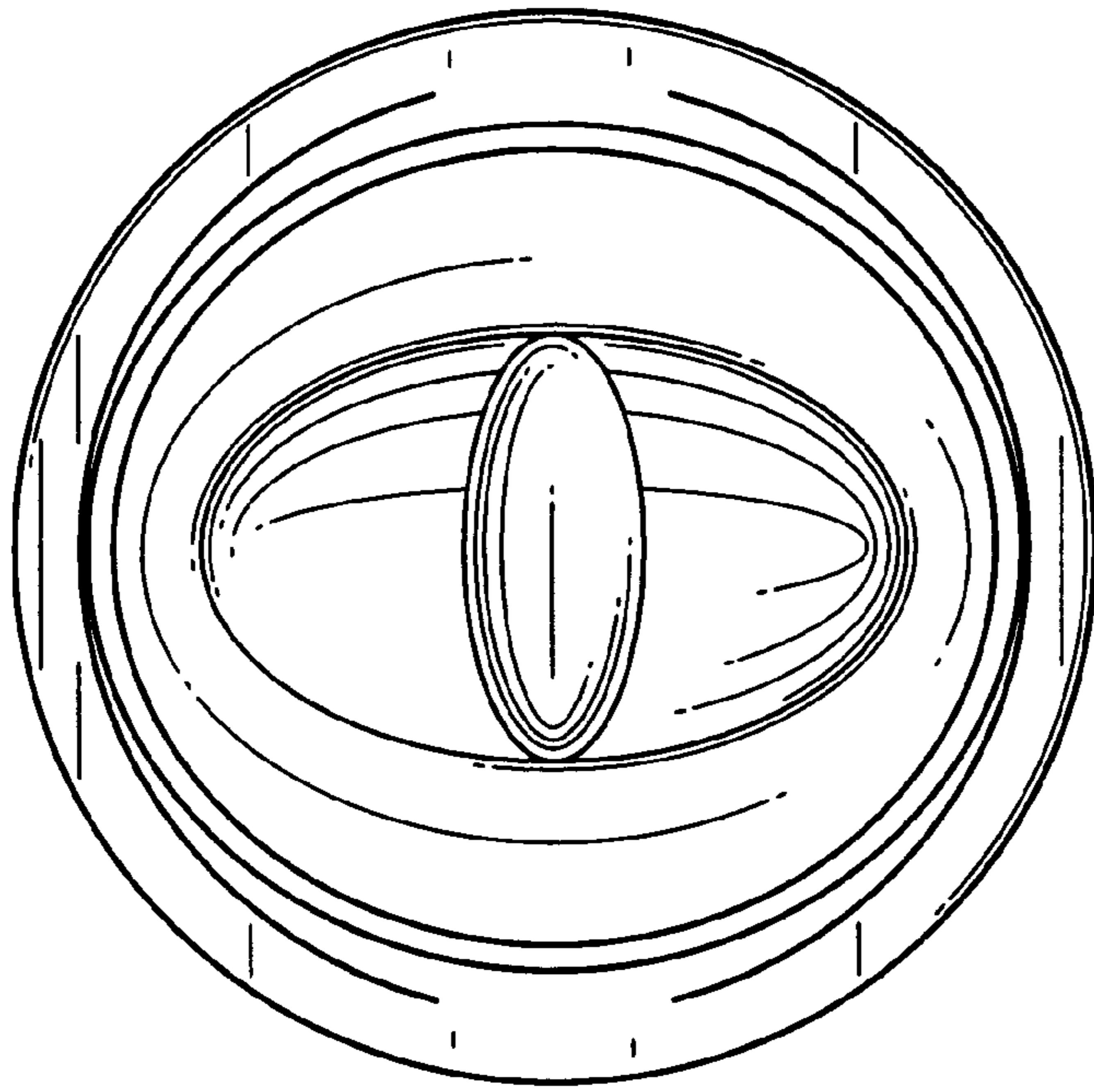


FIG. 5

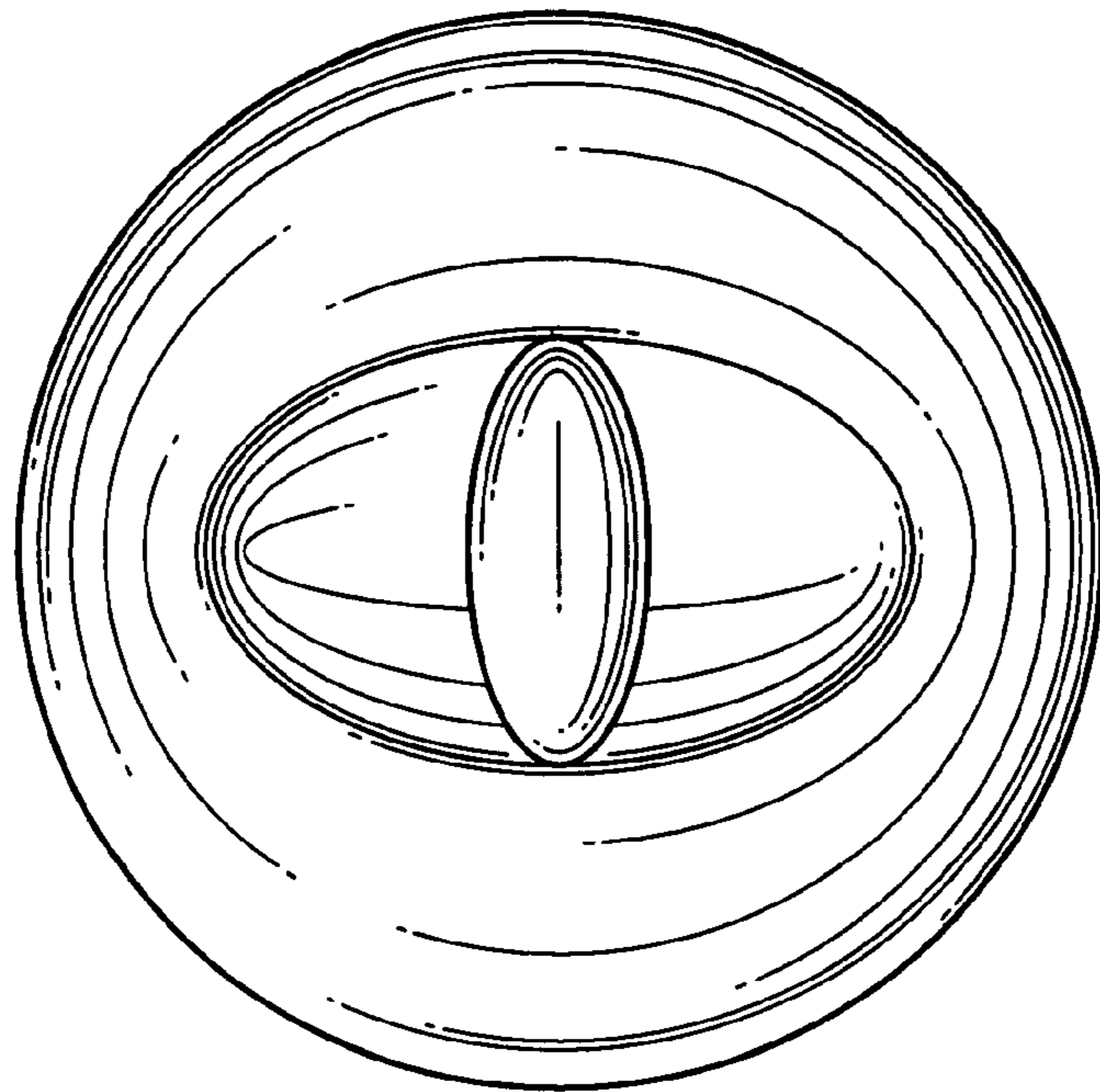


FIG. 4