



US00D431151S

United States Patent [19] Brunianyn

[11] **Patent Number: Des. 431,151**

[45] **Date of Patent: ** Sep. 26, 2000**

[54] **BOTTOM FOR A KITCHEN UTENSIL**

[75] Inventor: **Harry Brunianyn**, Annecy, France

[73] Assignee: **Tefal S.A.**, Rumilly, France

[**] Term: **14 Years**

[21] Appl. No.: **29/091,145**

[22] Filed: **Jul. 23, 1998**

[30] **Foreign Application Priority Data**

Jan. 23, 1998 [FR] France 98 0395

[51] **LOC (7) Cl.** **07-02**

[52] **U.S. Cl.** **D7/359; D7/354**

[58] **Field of Search** D7/323, 354-361,
D7/402, 409; 99/324, 422, 450; 220/573.1,
573.2, 912; 126/25 A, 390; 29/460

[56] **References Cited**

U.S. PATENT DOCUMENTS

D. 313,727	1/1991	Gamez	D7/360
D. 372,395	8/1996	Candianides	D7/361
D. 377,883	2/1997	Candianides	D7/361
2,179,512	11/1939	McBirney	99/450
2,534,407	12/1950	Bramberry	126/390

2,618,258	11/1952	Kroyer	126/390
2,619,951	12/1952	Kahn	126/25 A
5,430,928	7/1995	Flammang	29/460
5,647,271	7/1997	Capelle et al.	99/422

Primary Examiner—Caron D. Veynar
Attorney, Agent, or Firm—Young & Thompson

[57] **CLAIM**

The ornamental design for a bottom for a kitchen utensil, as shown and described.

DESCRIPTION

FIG. 1 is a top plan view of a bottom for a kitchen utensil, showing my new design;

FIG. 2 is a bottom plan view thereof;

FIG. 3 is a side elevational view thereof;

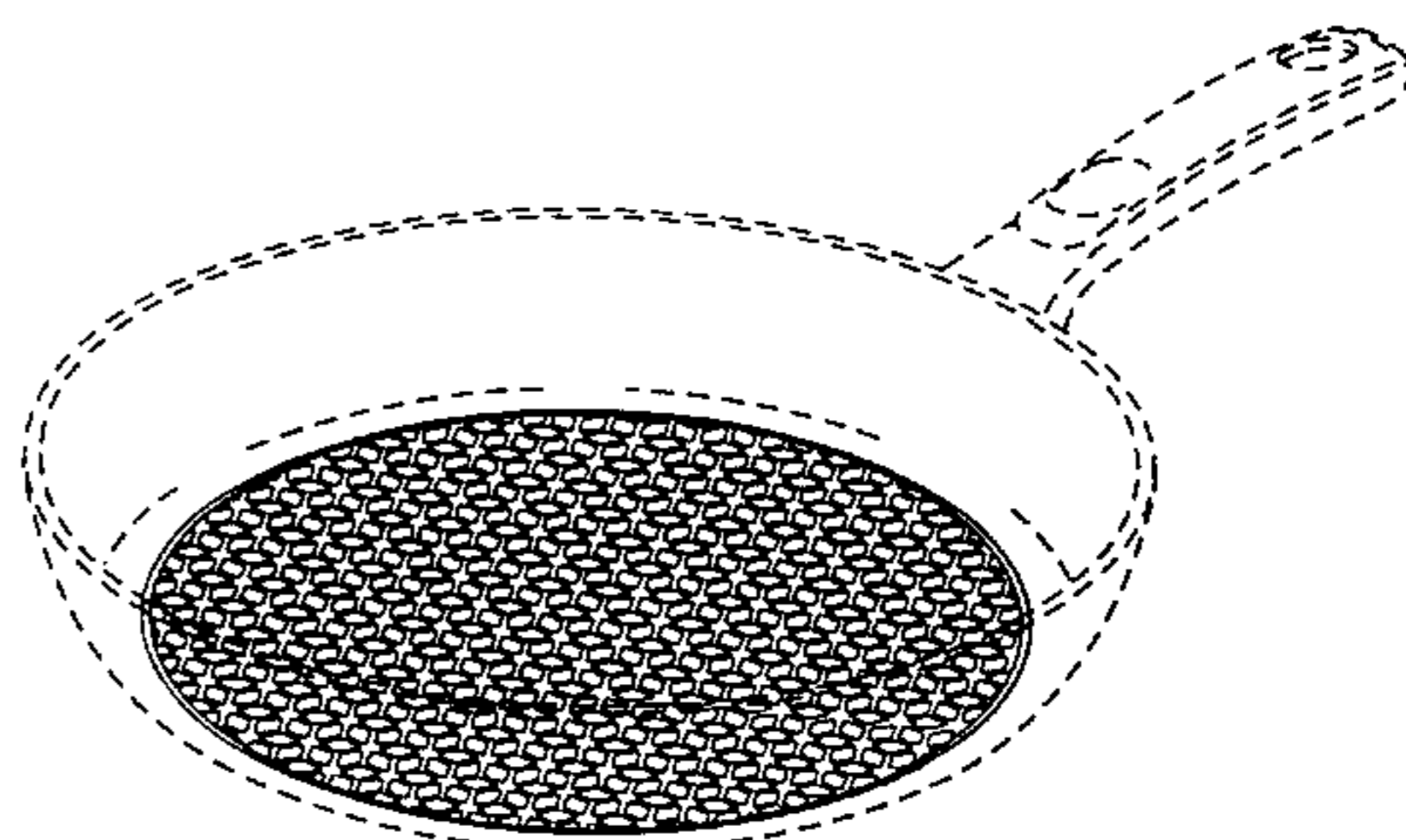
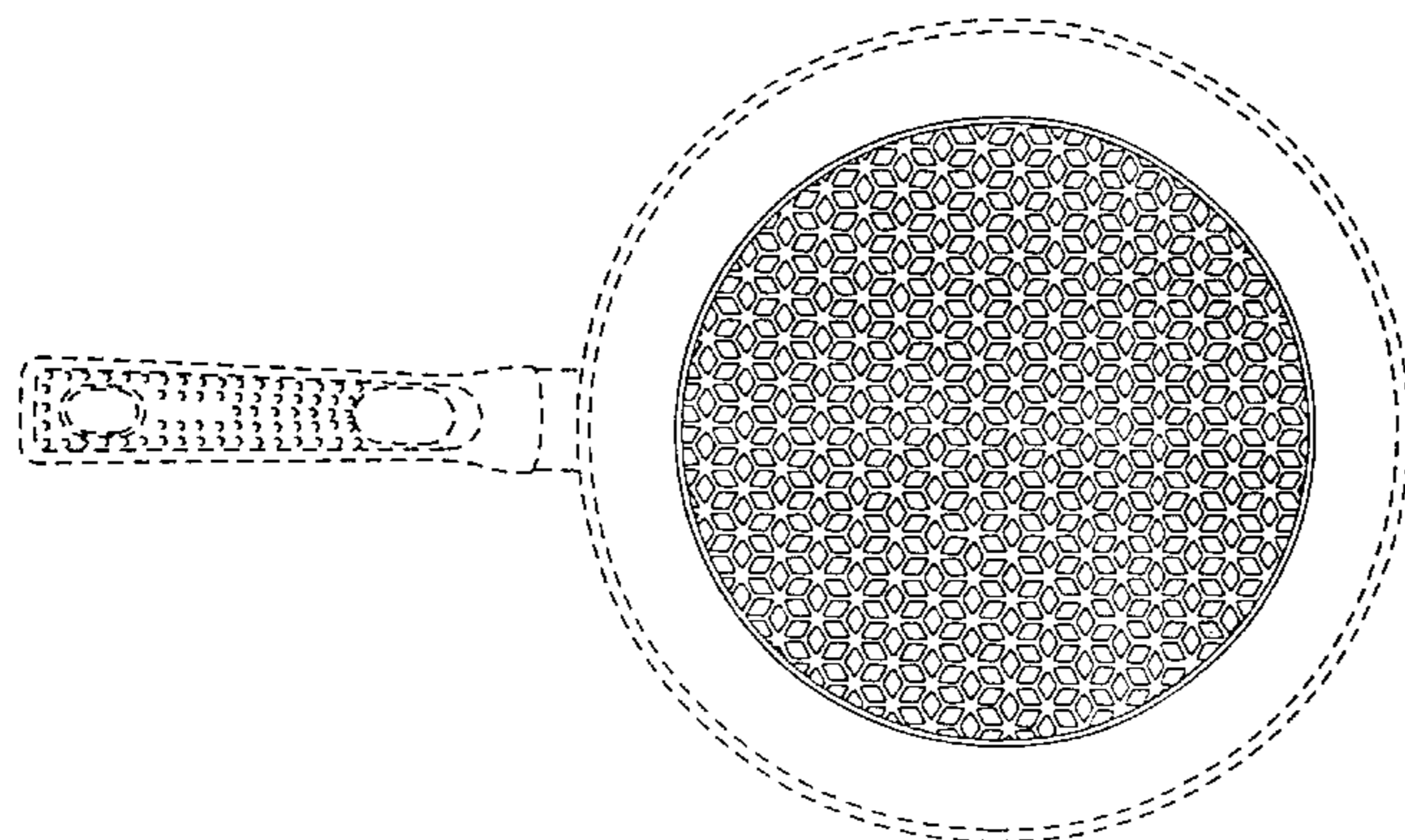
FIG. 4 is a side elevational view thereof from the right of FIG. 3;

FIG. 5 is a side elevational view thereof from the left of FIG. 3; and,

FIG. 6 is a top and side perspective view thereof.

The broken line illustration of a kitchen utensil serves only to illustrate one of the environments in which the design of the present invention can be embodied and forms no part of the claimed design.

1 Claim, 6 Drawing Sheets



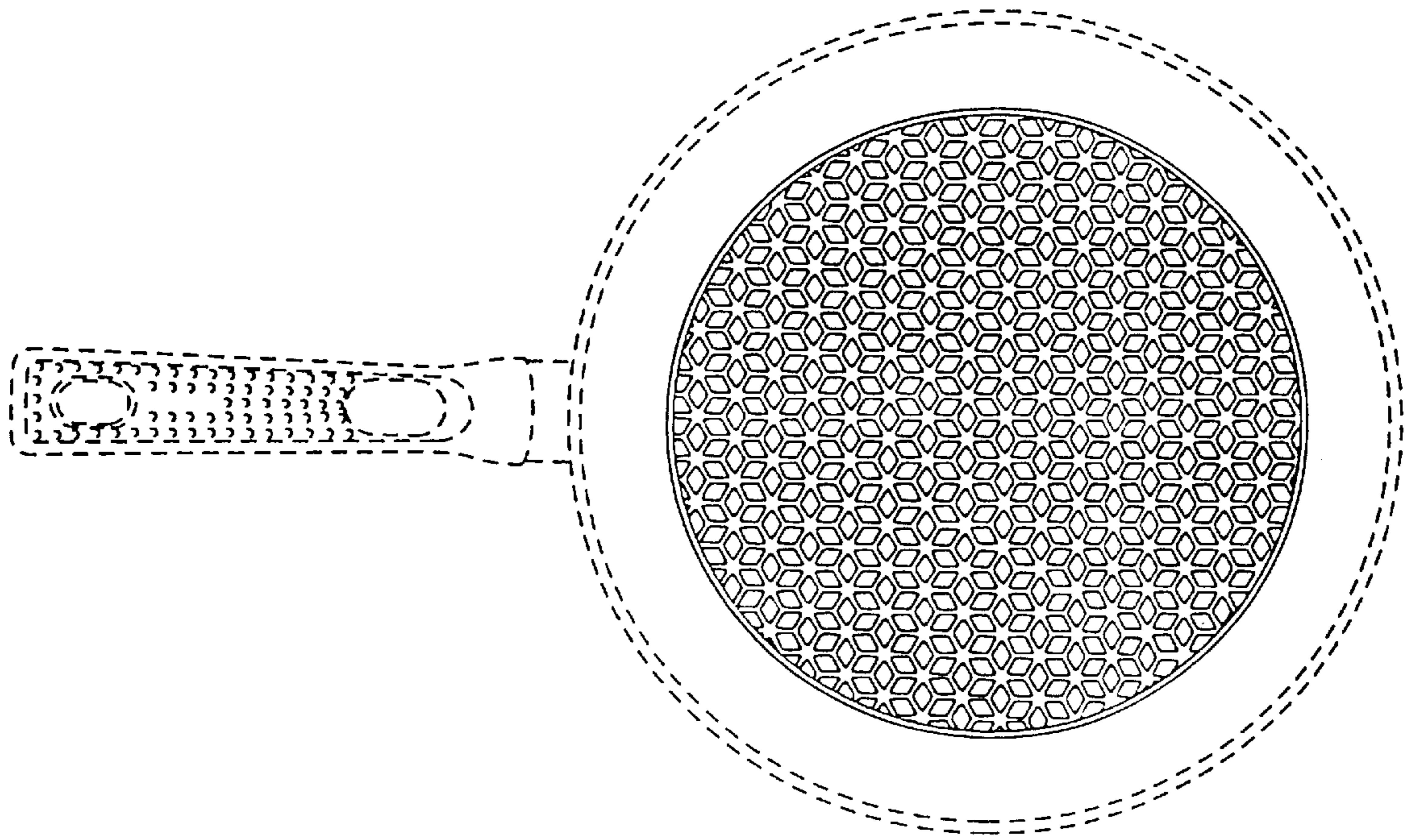


Fig. 1

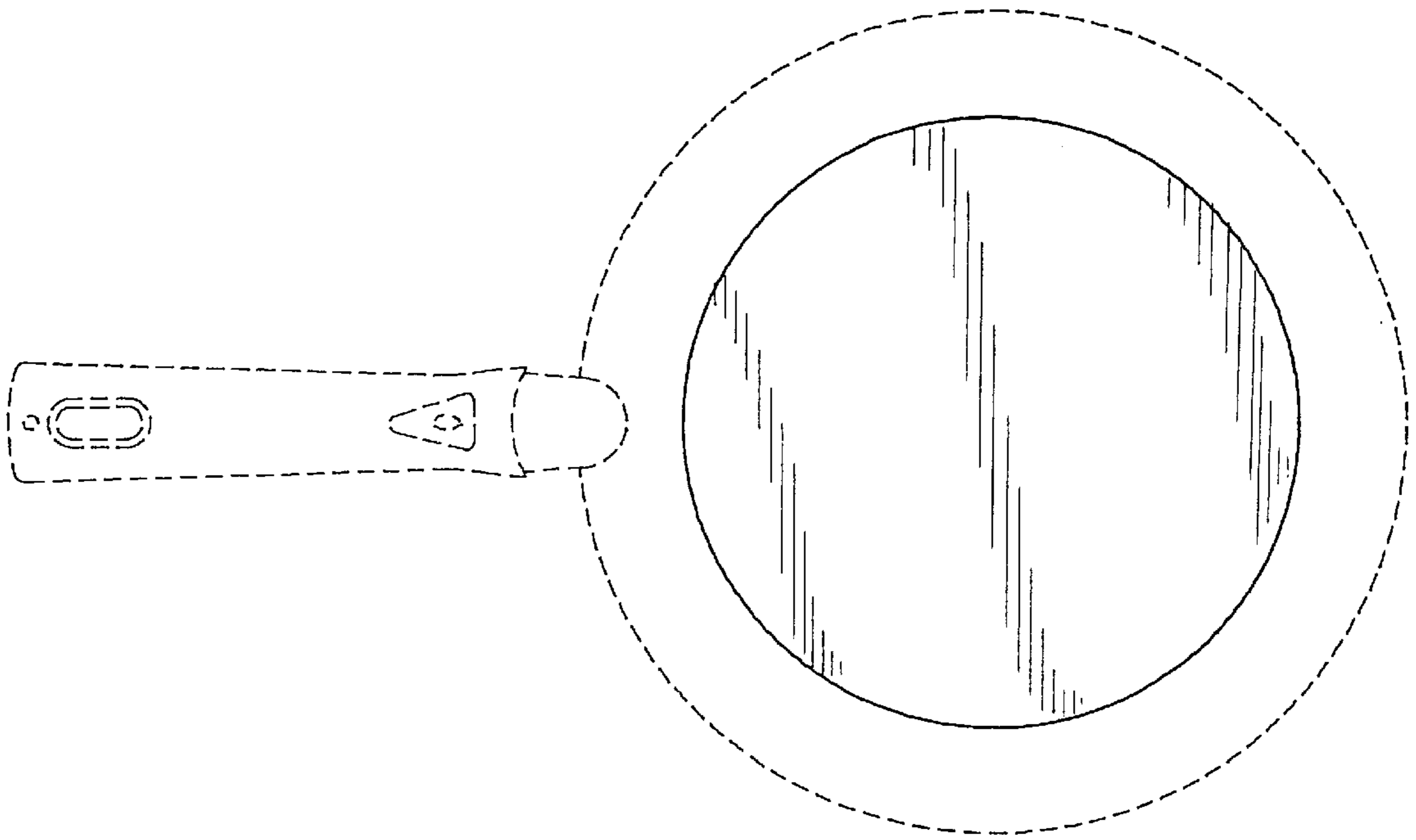


Fig. 2

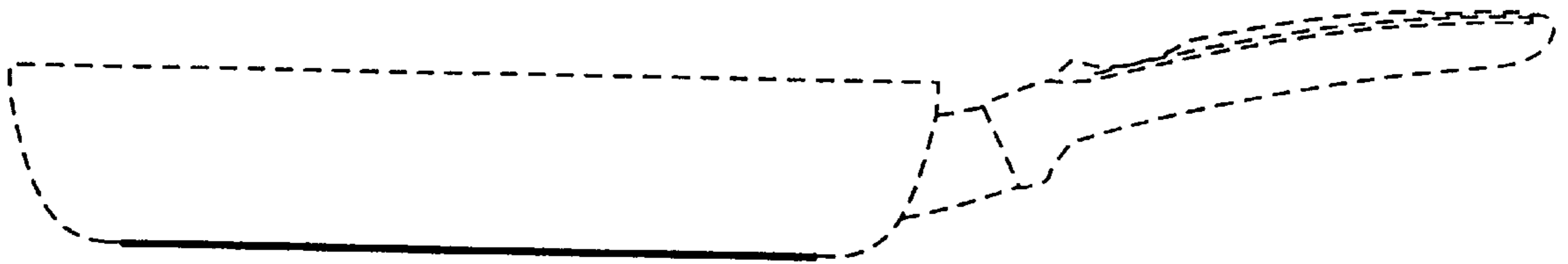


Fig. 3

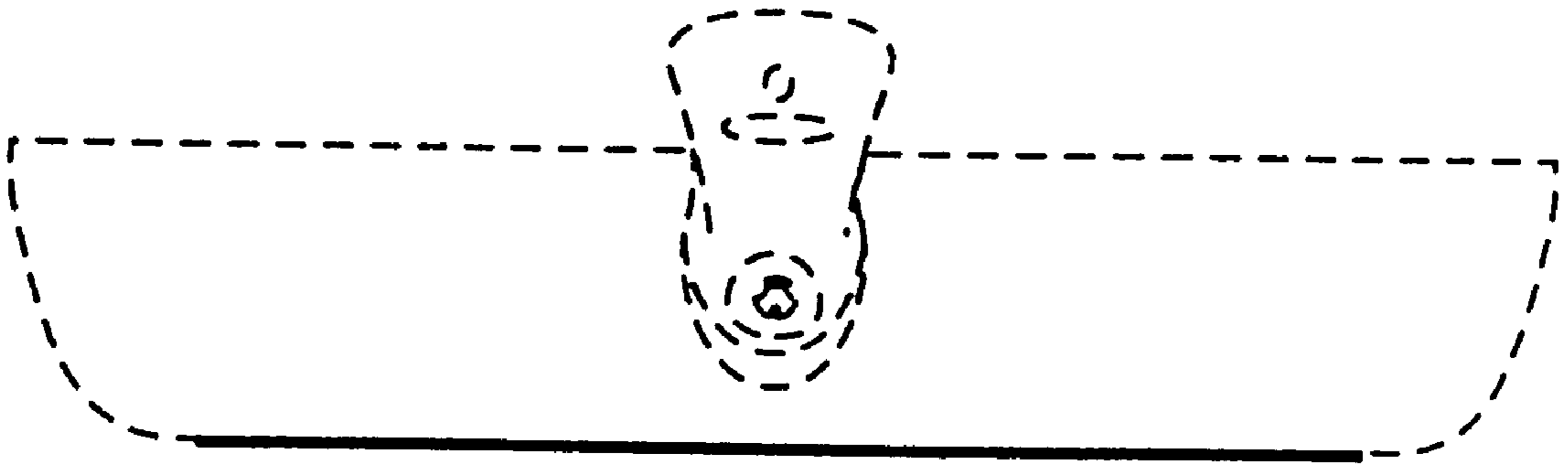


Fig. 4

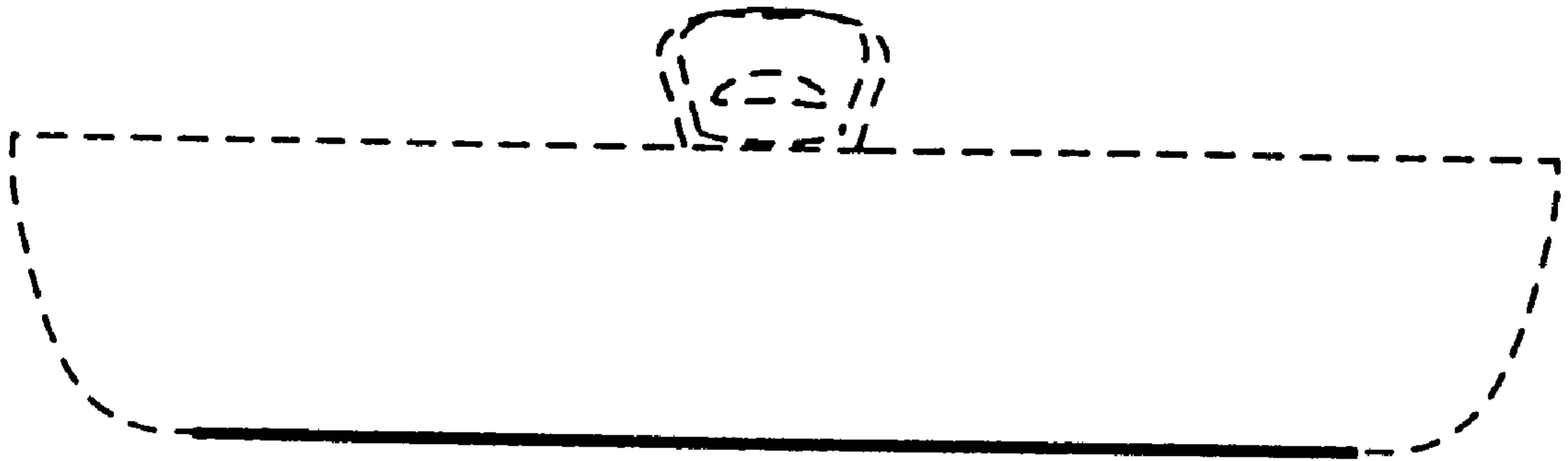


Fig. 5

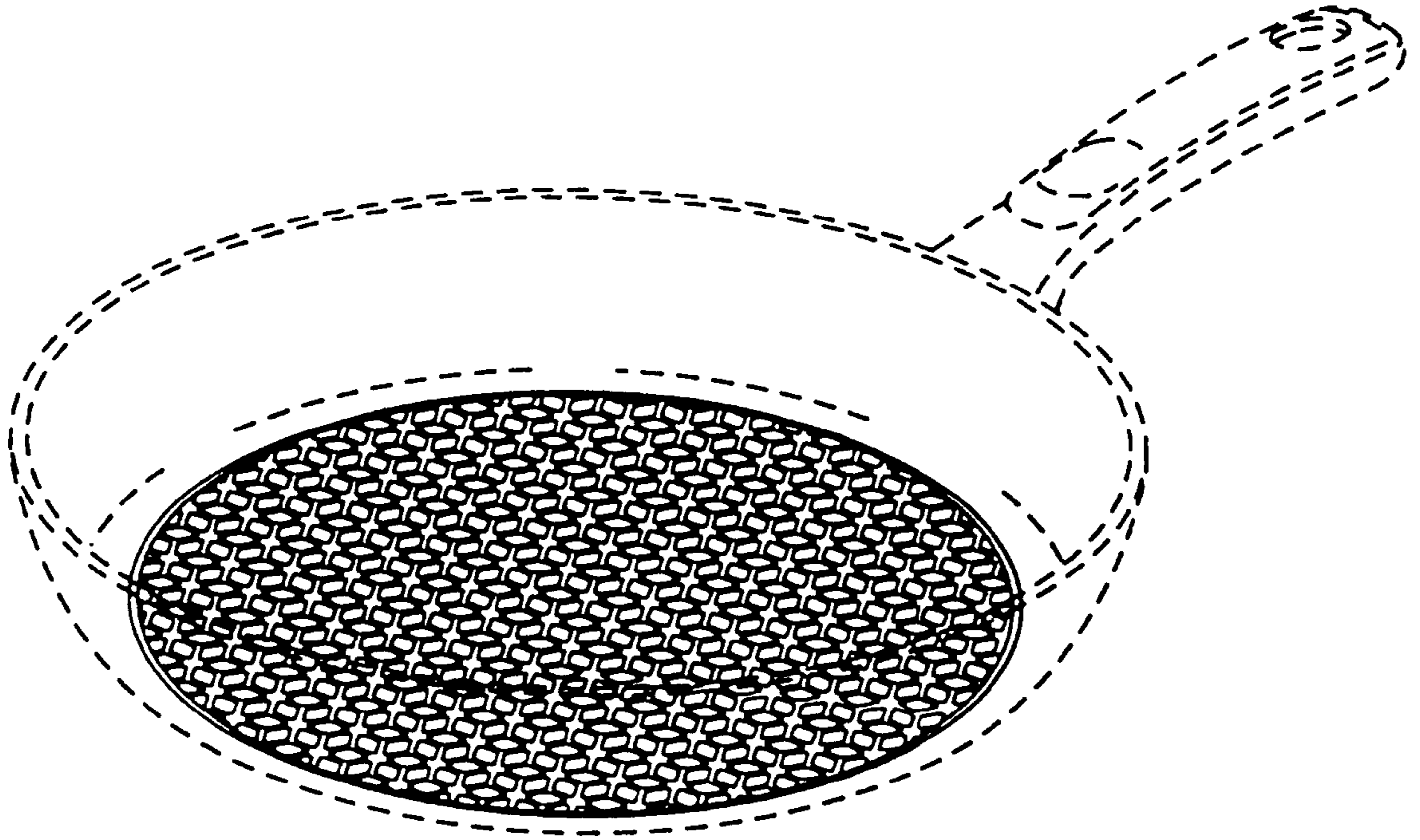


Fig. 6