



US00D431150S

# United States Patent [19]

Kalina et al.

[11] Patent Number: **Des. 431,150**

[45] Date of Patent: **\*\* Sep. 26, 2000**

[54] **ELECTRIC DEEP FRYER**

4,052,590 10/1977 Anderl et al. .  
4,115,918 9/1978 Anderl et al. .

[75] Inventors: **Lawrence A. Kalina**, Eau Claire;  
**Richard C. Schoenert**, Altoona; **Brent W. Dressel**, Elk Mound, all of Wis.

### OTHER PUBLICATIONS

Photographs of a Fry Daddy® deep fryer by National Presto Industries, Inc. Date Unknown.

[73] Assignee: **National Presto Industries, Inc.**, Eau Claire, Wis.

*Primary Examiner*—Caron D. Veynar  
*Attorney, Agent, or Firm*—Merchant & Gould P.C.

[\*\*] Term: **14 Years**

### [57] CLAIM

[21] Appl. No.: **29/117,211**

The ornamental design for an electric deep fryer, as shown and described.

[22] Filed: **Jan. 18, 2000**

### DESCRIPTION

[51] **LOC (7) Cl.** ..... **07-02**

[52] **U.S. Cl.** ..... **D7/354**

[58] **Field of Search** ..... D7/323, 354–361;  
99/324, 336, 341, 403

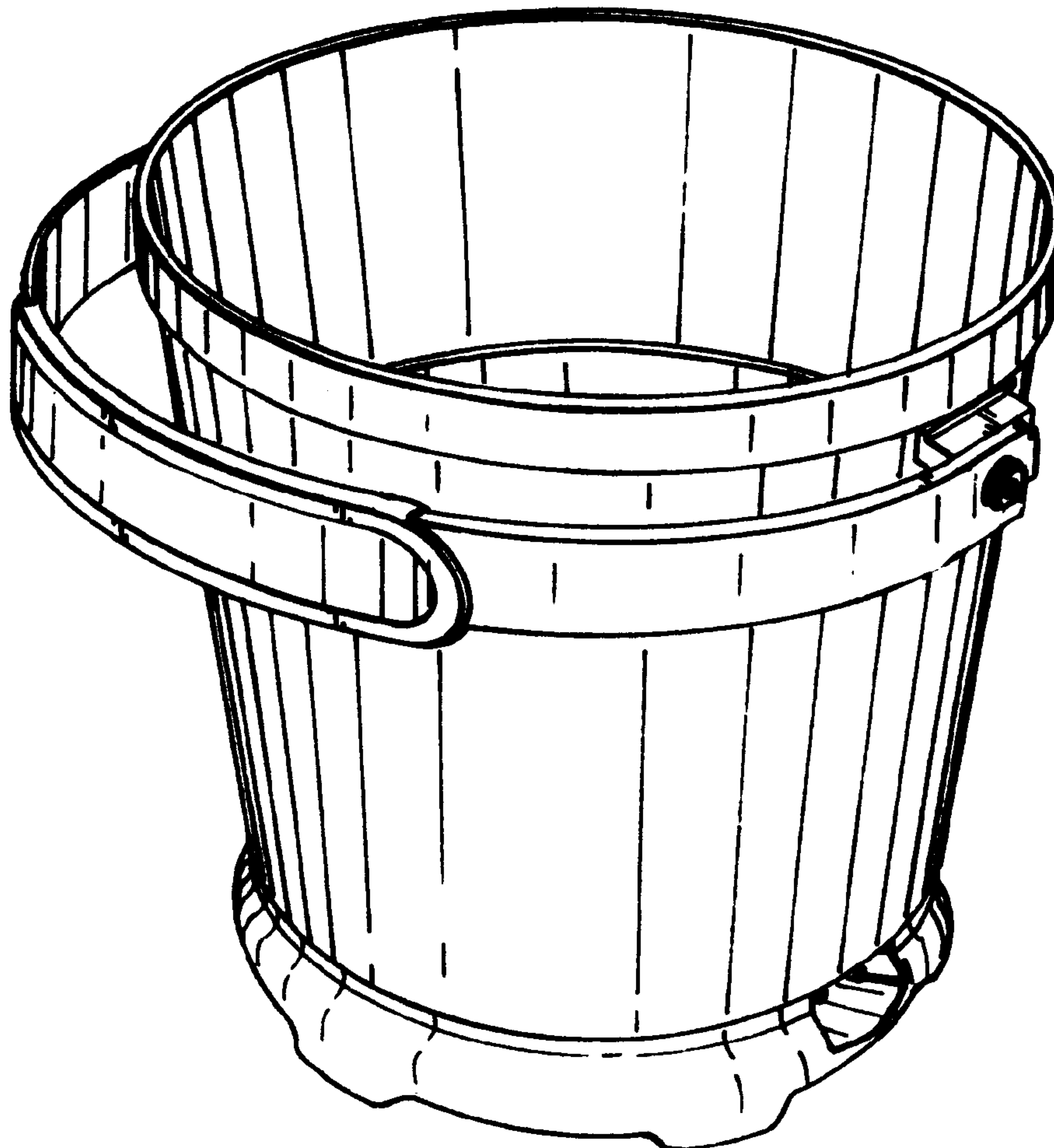
FIG. 1 is a perspective view of an electric deep fryer showing our new design;  
FIG. 2 is a front elevational view thereof;  
FIG. 3 is a rear elevational view thereof;  
FIG. 4 is a left elevational side view thereof;  
FIG. 5 is a right elevational side view thereof;  
FIG. 6 is a top plan view thereof; and,  
FIG. 7 is a bottom plan view thereof.  
FIGS. 2–7 are drawn on an enlarged scale.

### [56] References Cited

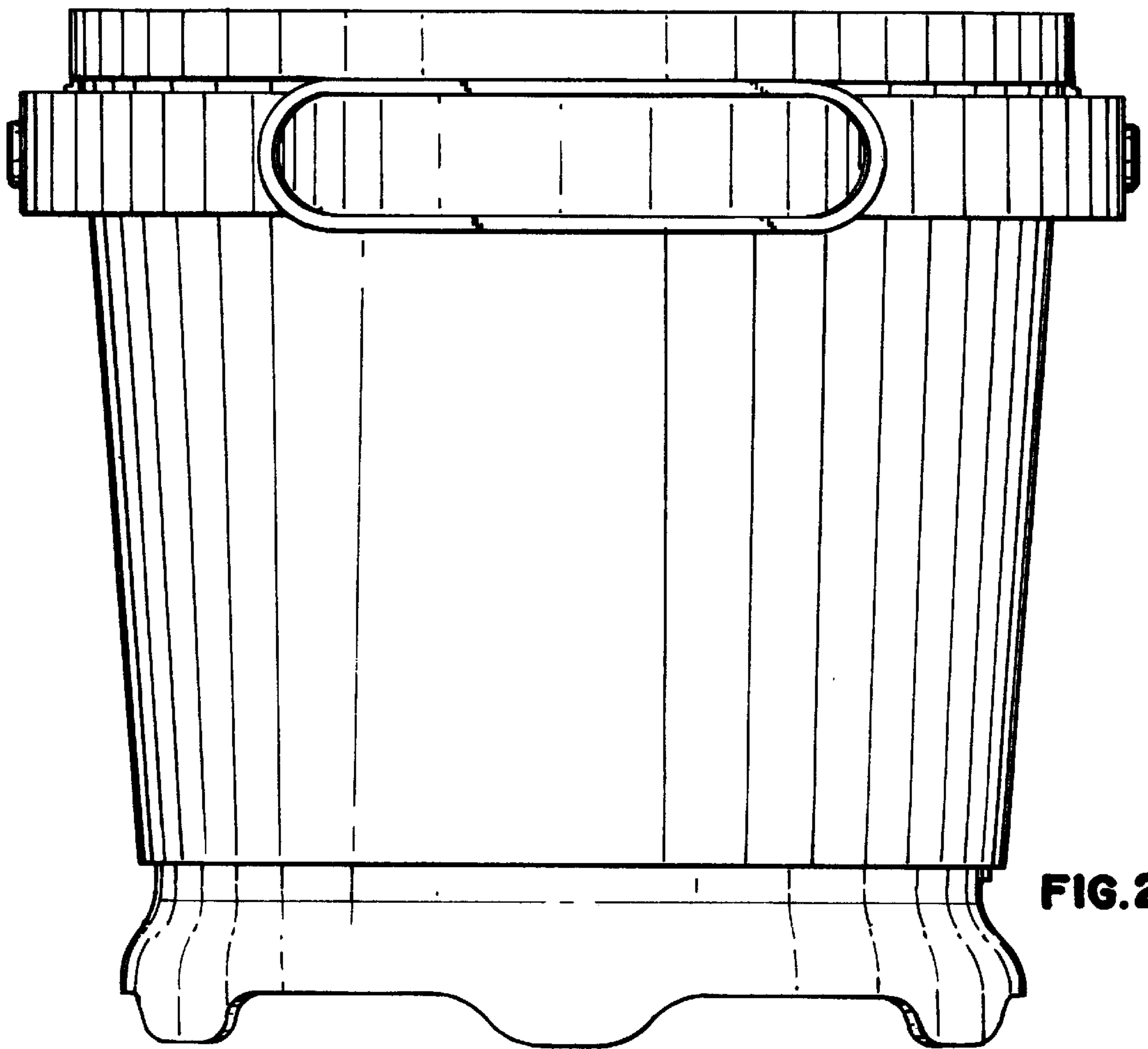
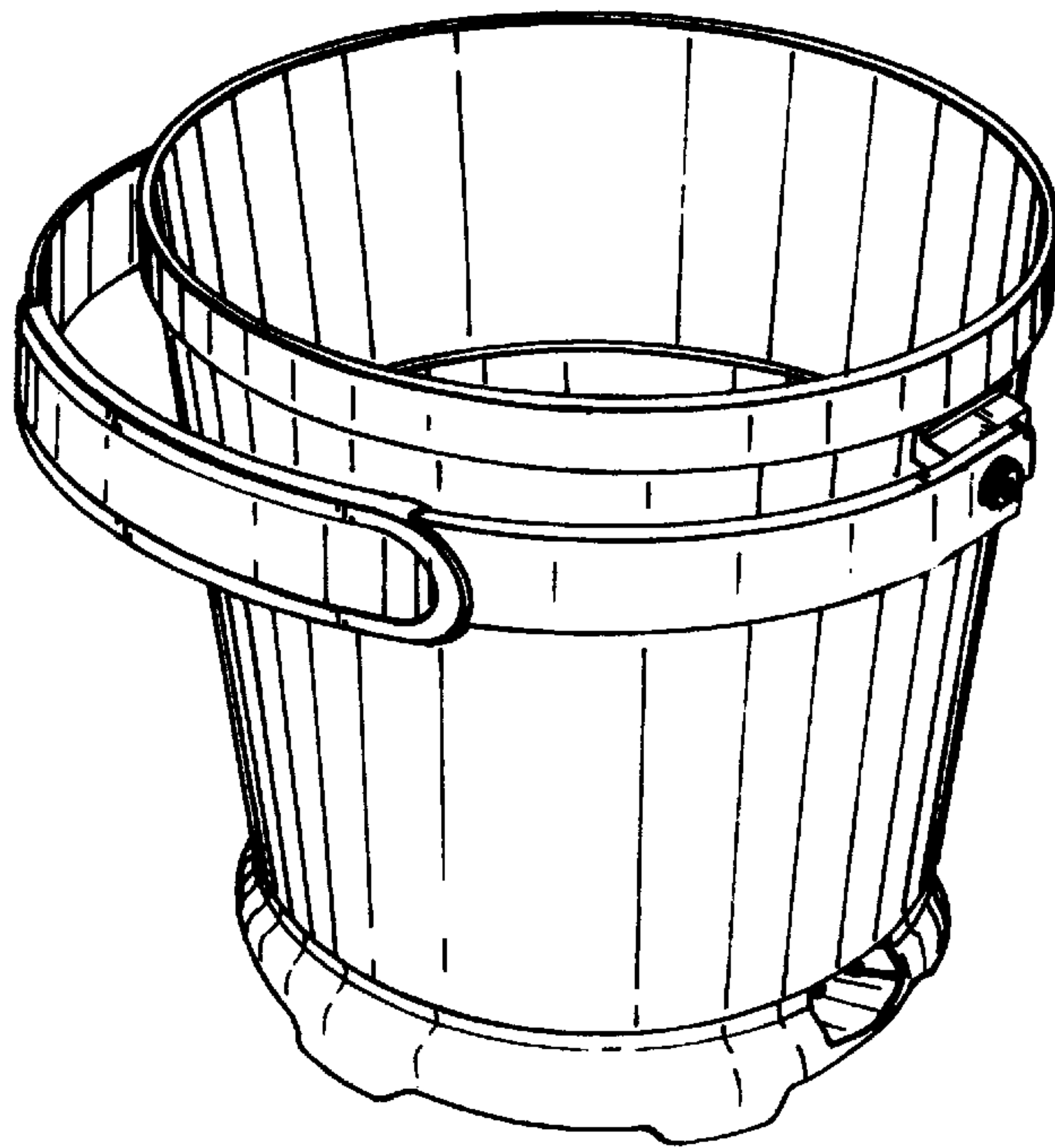
#### U.S. PATENT DOCUMENTS

D. 246,686	12/1977	Boldt	.....	D7/354
D. 250,385	11/1978	Babros et al.	.....	D7/360
D. 292,362	10/1987	Oh	.....	D7/360
D. 376,724	12/1996	Mendelson et al.	.....	D7/360

**1 Claim, 6 Drawing Sheets**

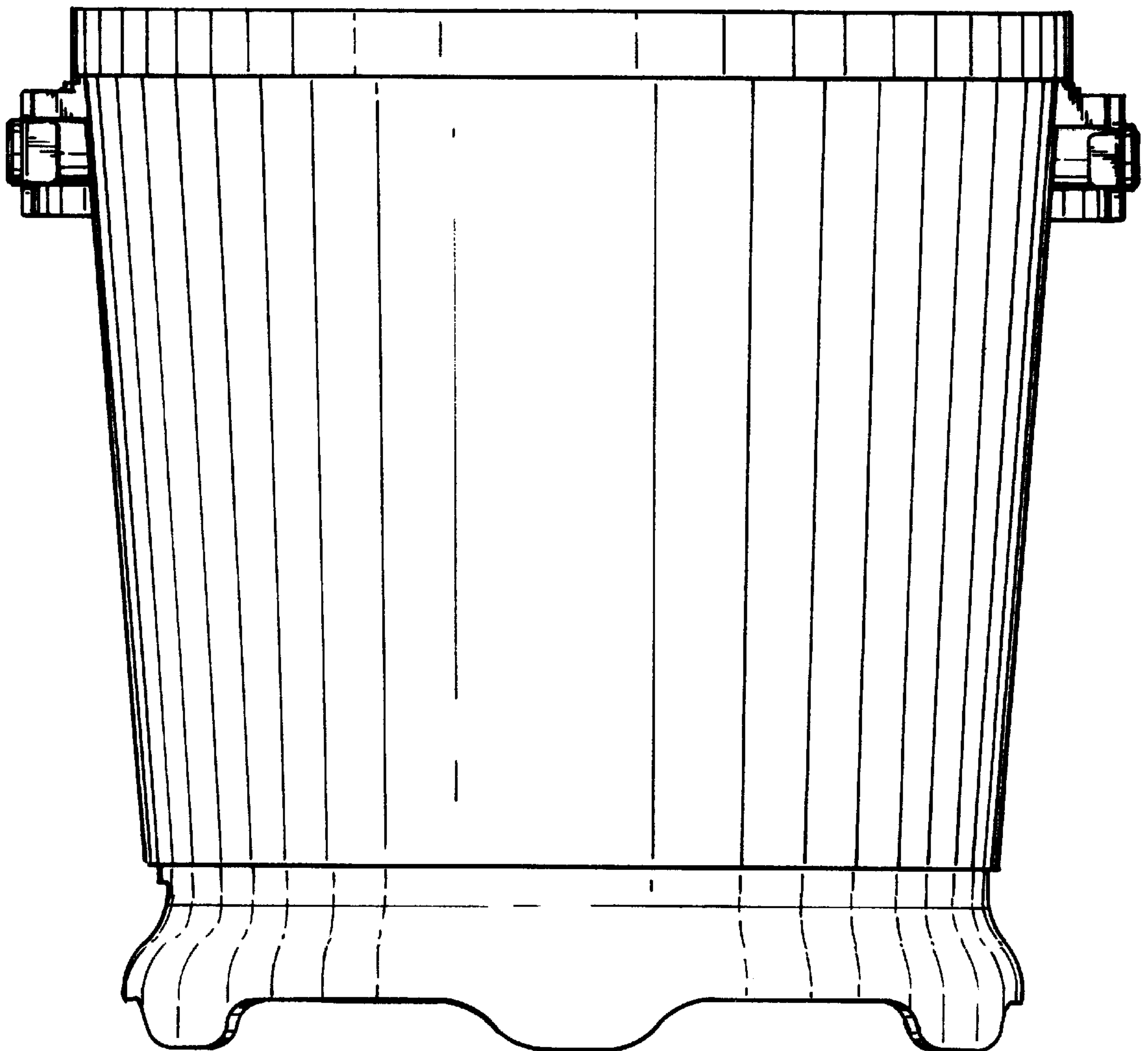


**FIG. 1**

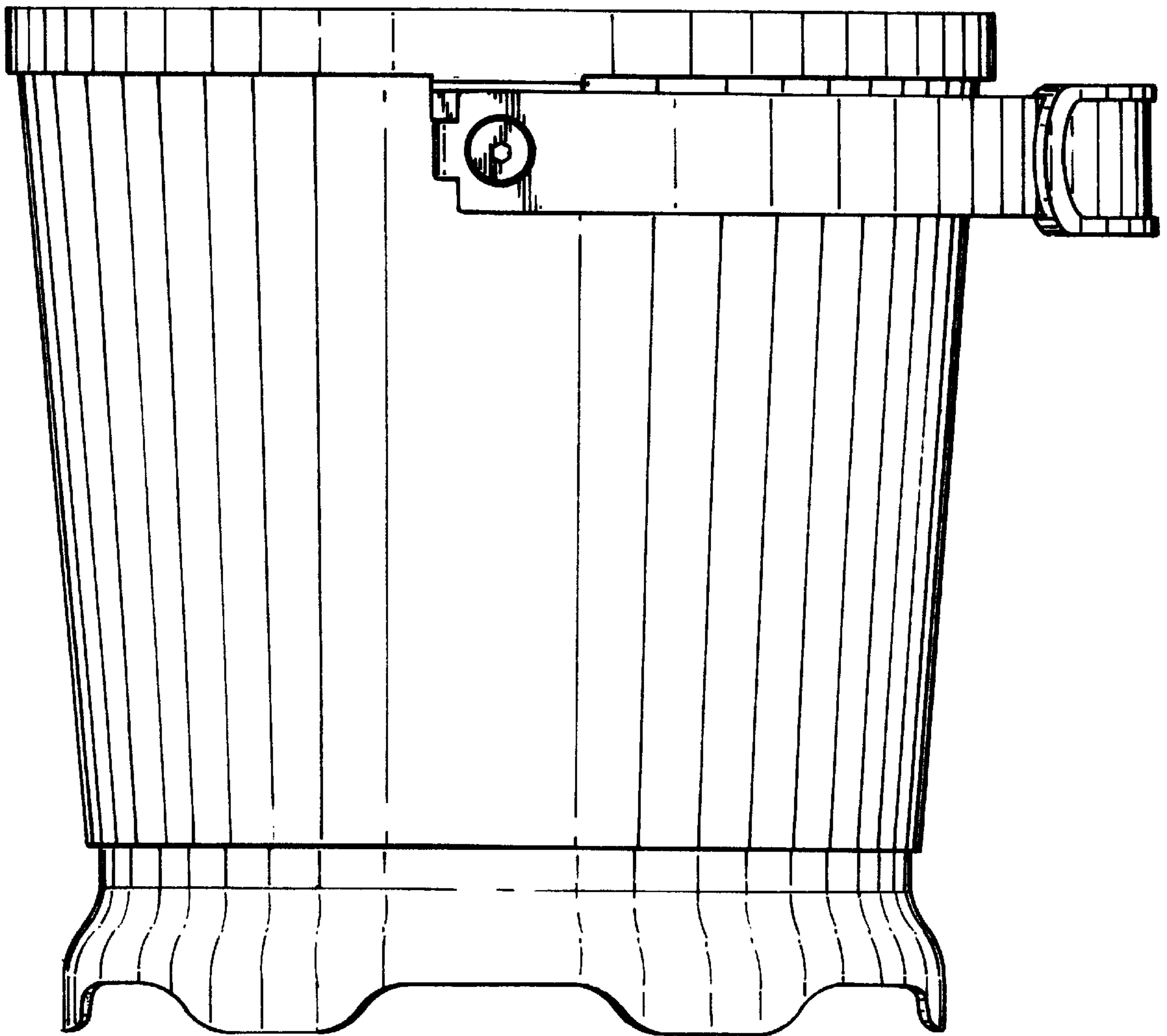


**FIG. 2**

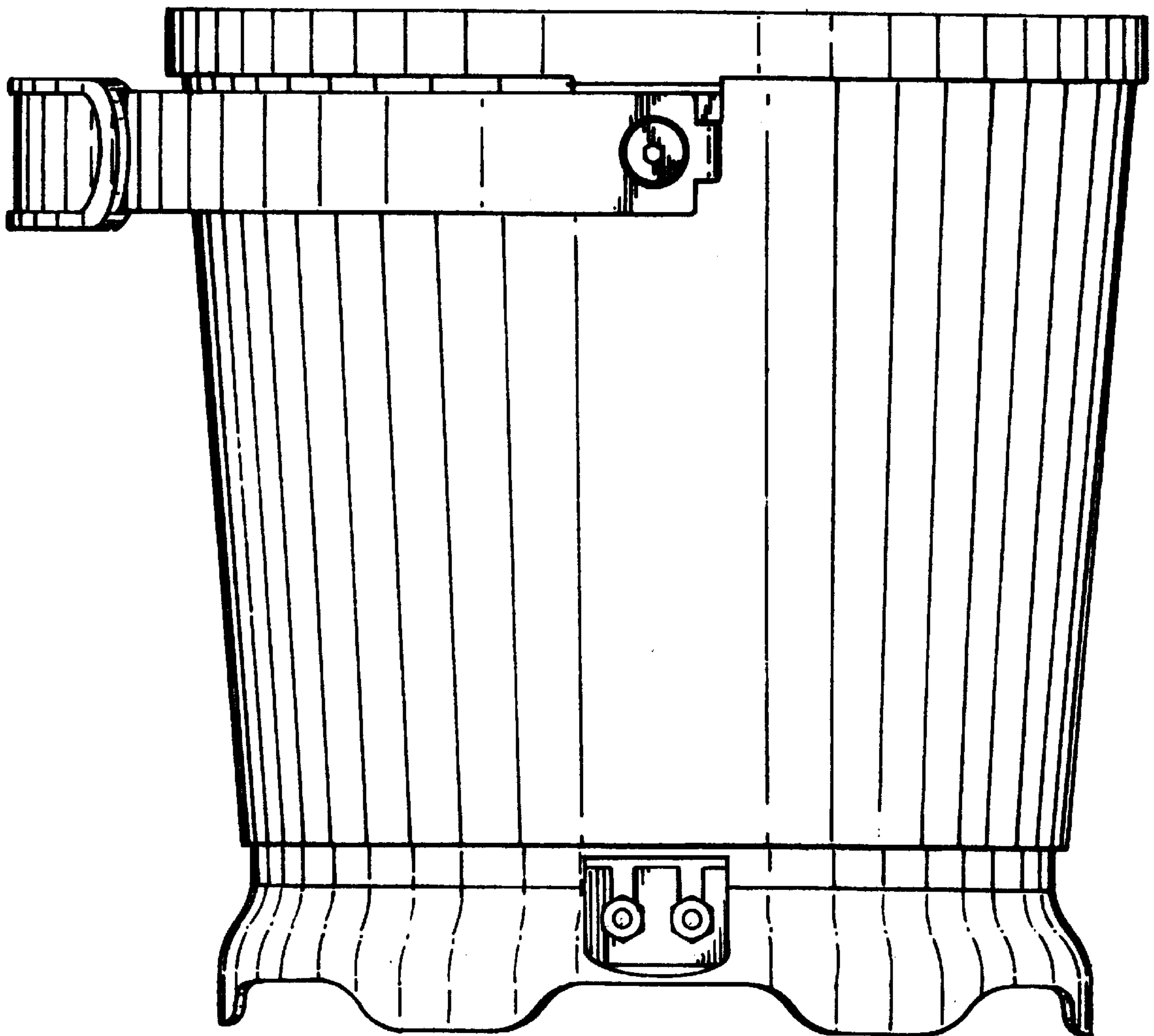
**FIG. 3**



**FIG. 4**

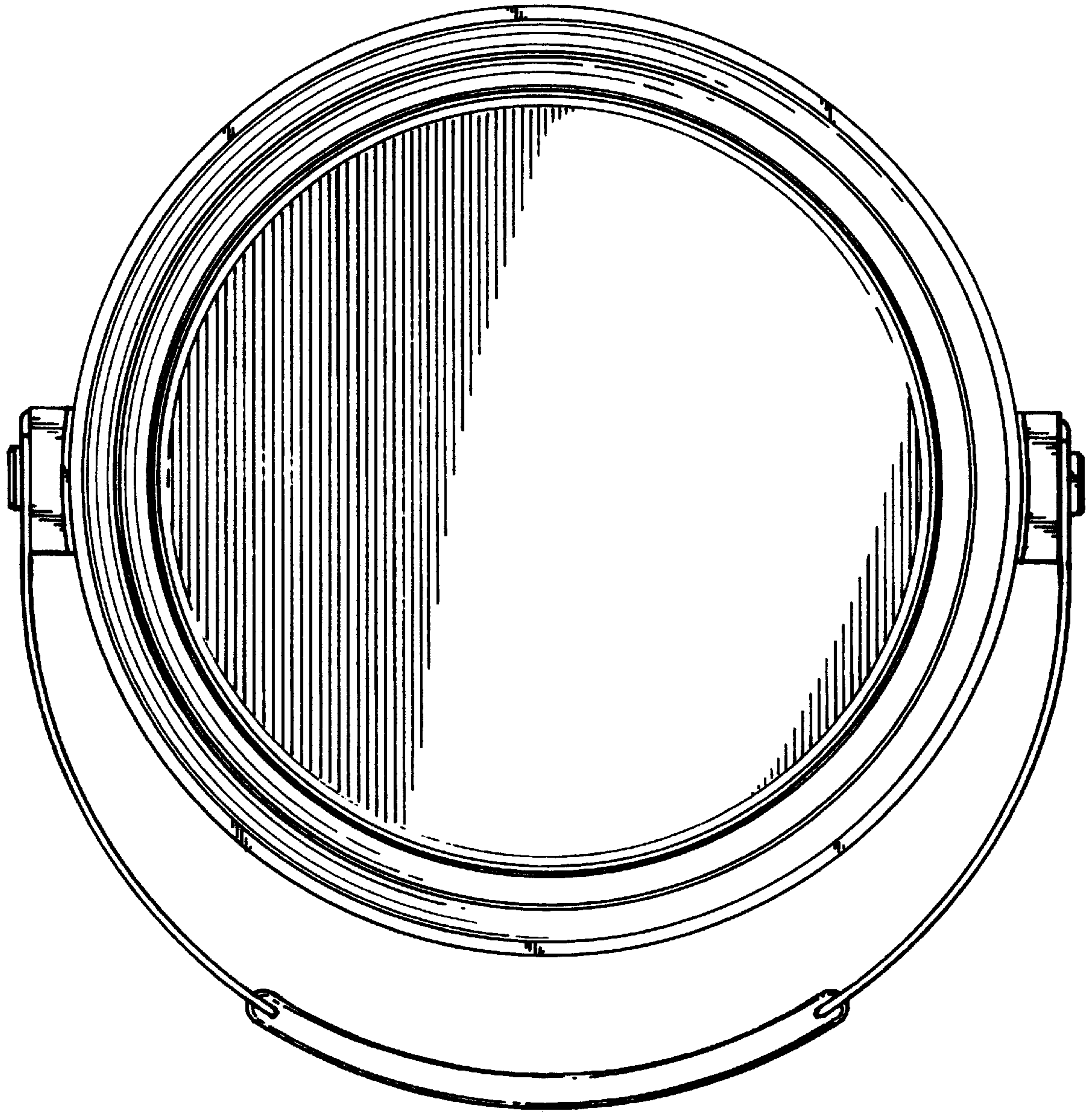


**FIG. 5**





**FIG. 6**



**FIG. 7**

