



US00D431149S

United States Patent [19]

Cooke et al.

[11] Patent Number: Des. 431,149

[45] Date of Patent: ** Sep. 26, 2000

[54] CROCKPOT WITH DIVIDERS

6,035,766 3/2000 Schirmer 99/403

[76] Inventors: **Lincoln L Cooke; Penny R Cooke**,
both of 4036 Vimville Causeyville Rd.,
Meridan, Miss. 39301

Primary Examiner—Caron D. Veynar

[**] Term: **14 Years**

[57] CLAIM

[21] Appl. No.: **29/112,706**

The ornamental design for a crockpot with dividers, as shown and described.

[22] Filed: **Oct. 22, 1999**

DESCRIPTION

[51] LOC (7) Cl. **07-02**

FIG. 1 is a front elevational view of the crockpot with dividers of the present invention;

[52] U.S. Cl. **D7/354; D7/360**

FIG. 2 is a rear elevational view of the crockpot with dividers of FIG. 1;

[58] Field of Search D7/323, 354-361;
99/324, 325, 403; 220/526, 573.1, 575

FIG. 3 is a left side elevational view of the crockpot with dividers of FIG. 1;

[56] References Cited

U.S. PATENT DOCUMENTS

D. 162,905	4/1951	Utz	D7/357
D. 335,063	4/1993	Napolitano	D7/360
D. 338,132	8/1993	Chang	D7/356
D. 383,354	9/1997	Nassar	D7/357
D. 395,787	7/1998	Wilks	D7/357
D. 416,434	11/1999	Pollnow	D7/360
471,517	3/1892	Barry et al.	220/529

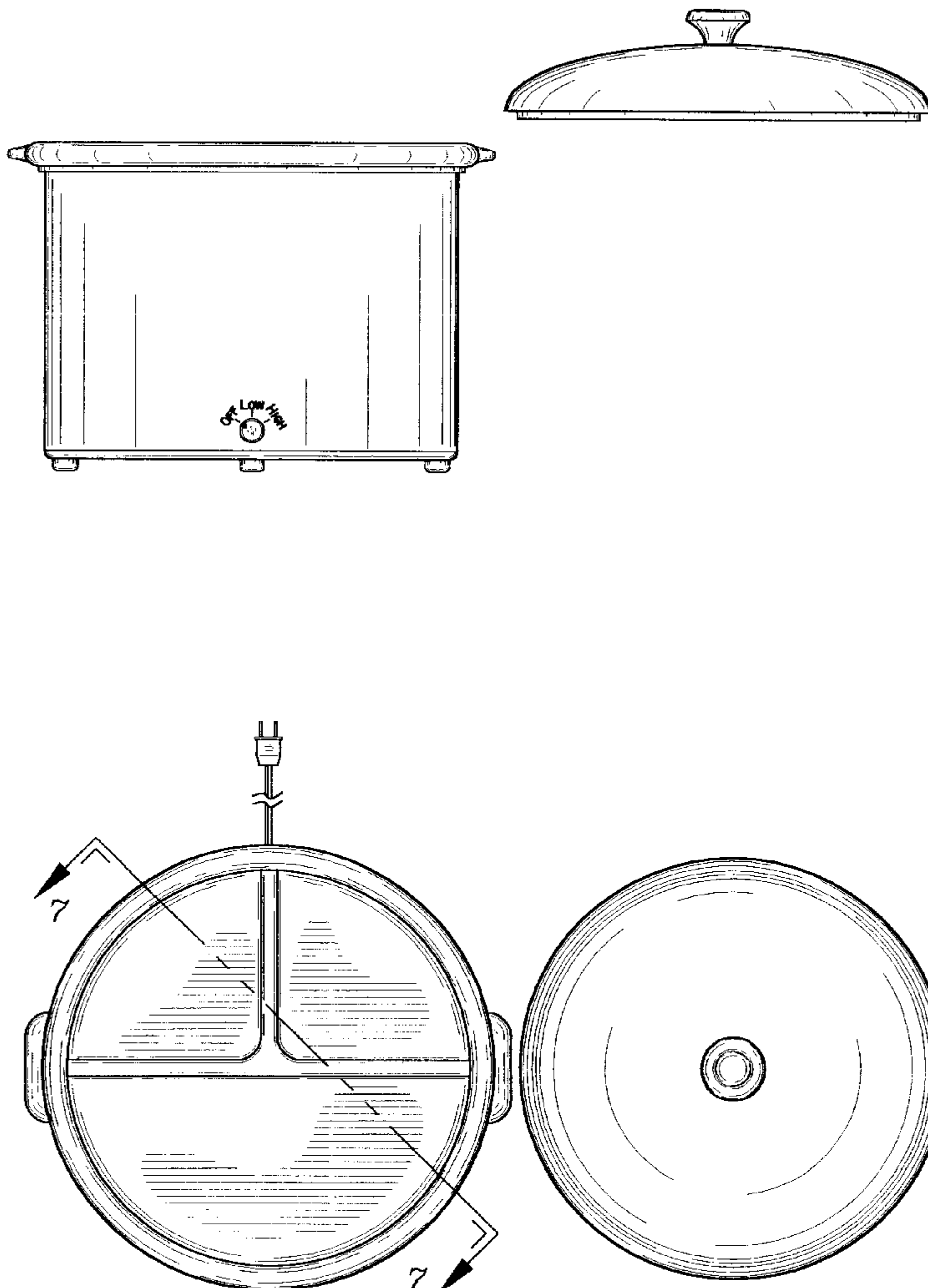
FIG. 4 is a right side elevational view of the crockpot with dividers of FIG. 1;

FIG. 5 is a top plan view of the crockpot with dividers of FIG. 1;

FIG. 6 is a bottom plan view of the crockpot with dividers of FIG. 1; and,

FIG. 7 is a cross-sectional view taken along line 7 of FIG. 5 of the crockpot with dividers of FIG. 1.

1 Claim, 4 Drawing Sheets



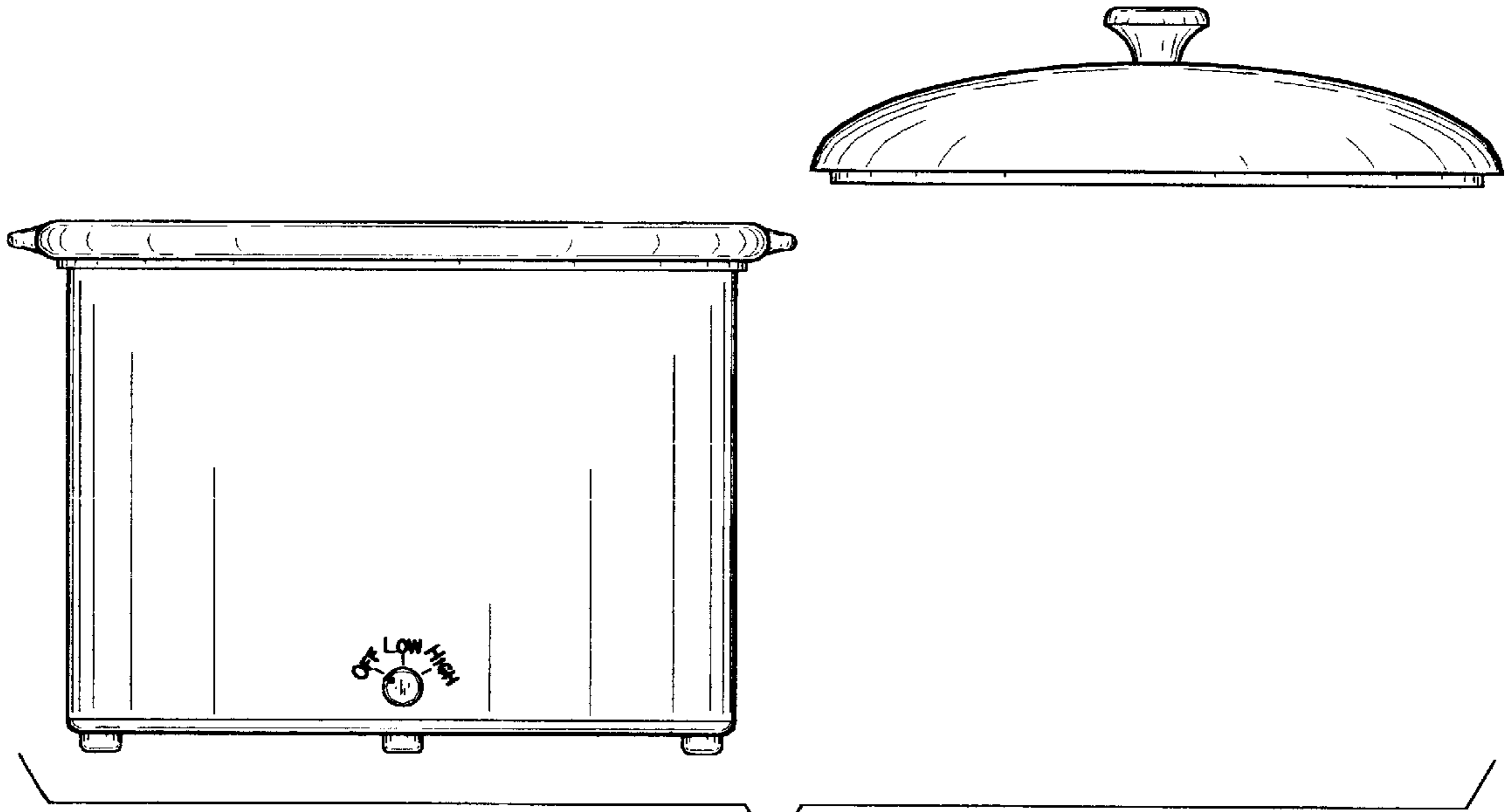


Fig. 1

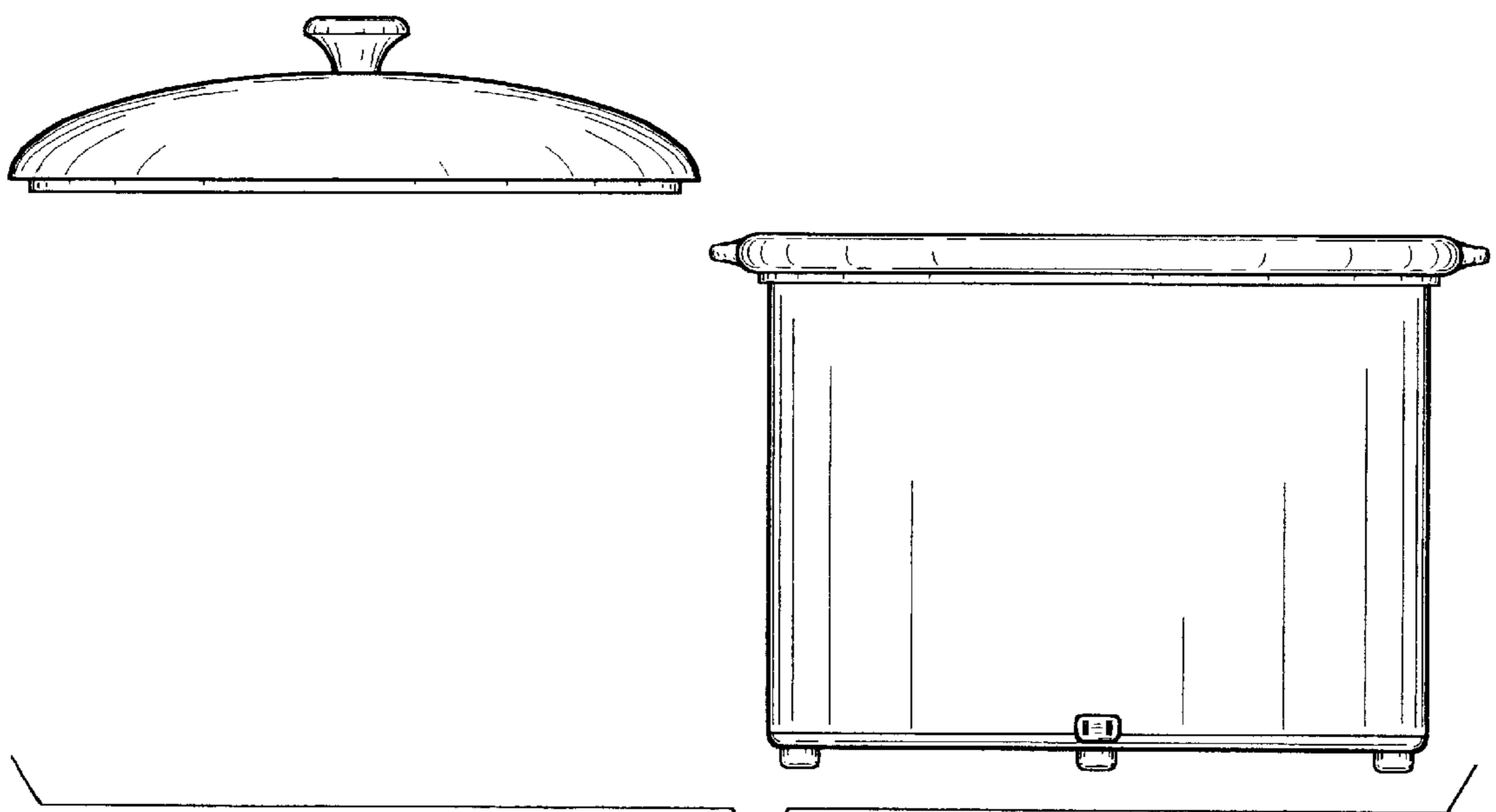
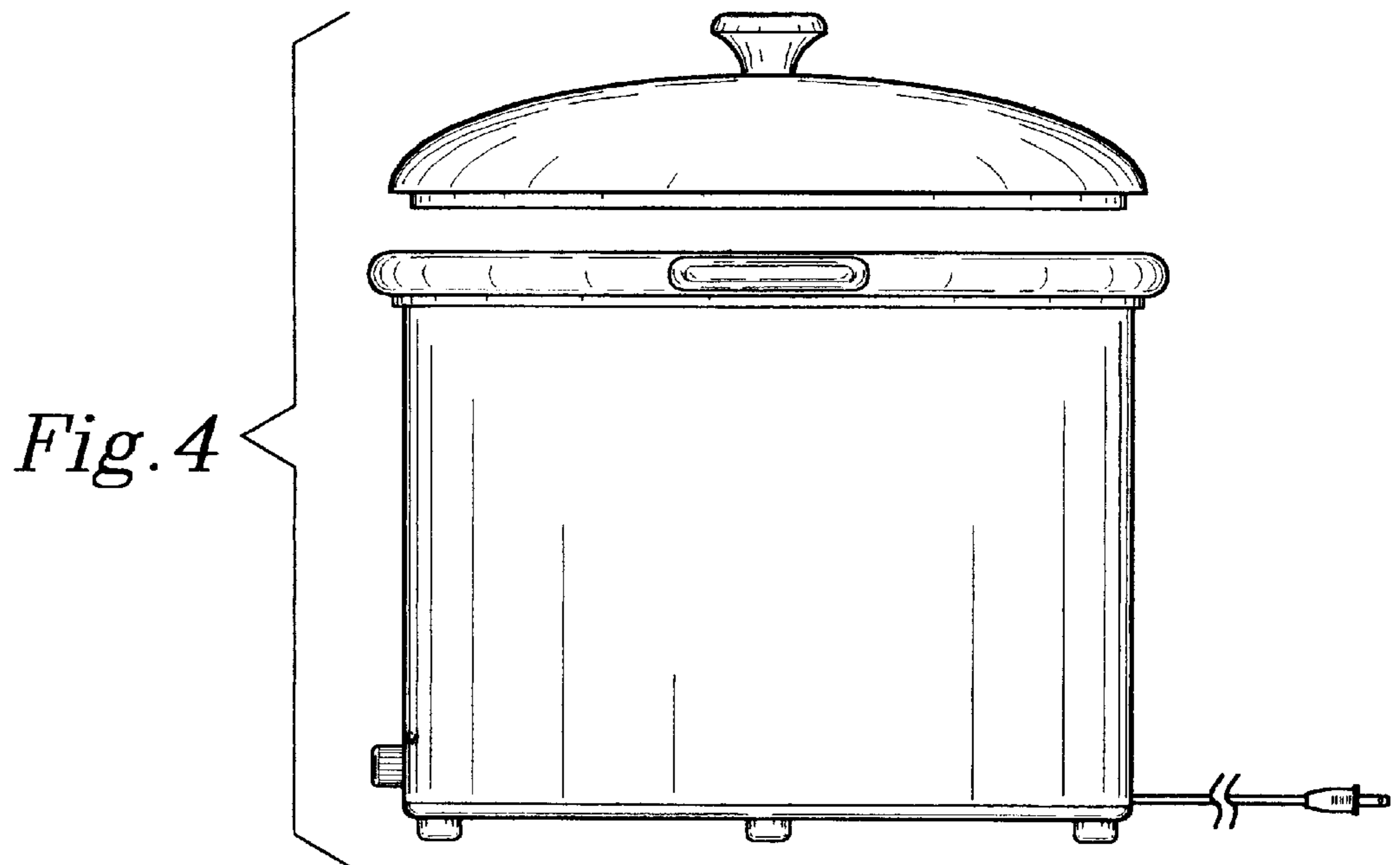
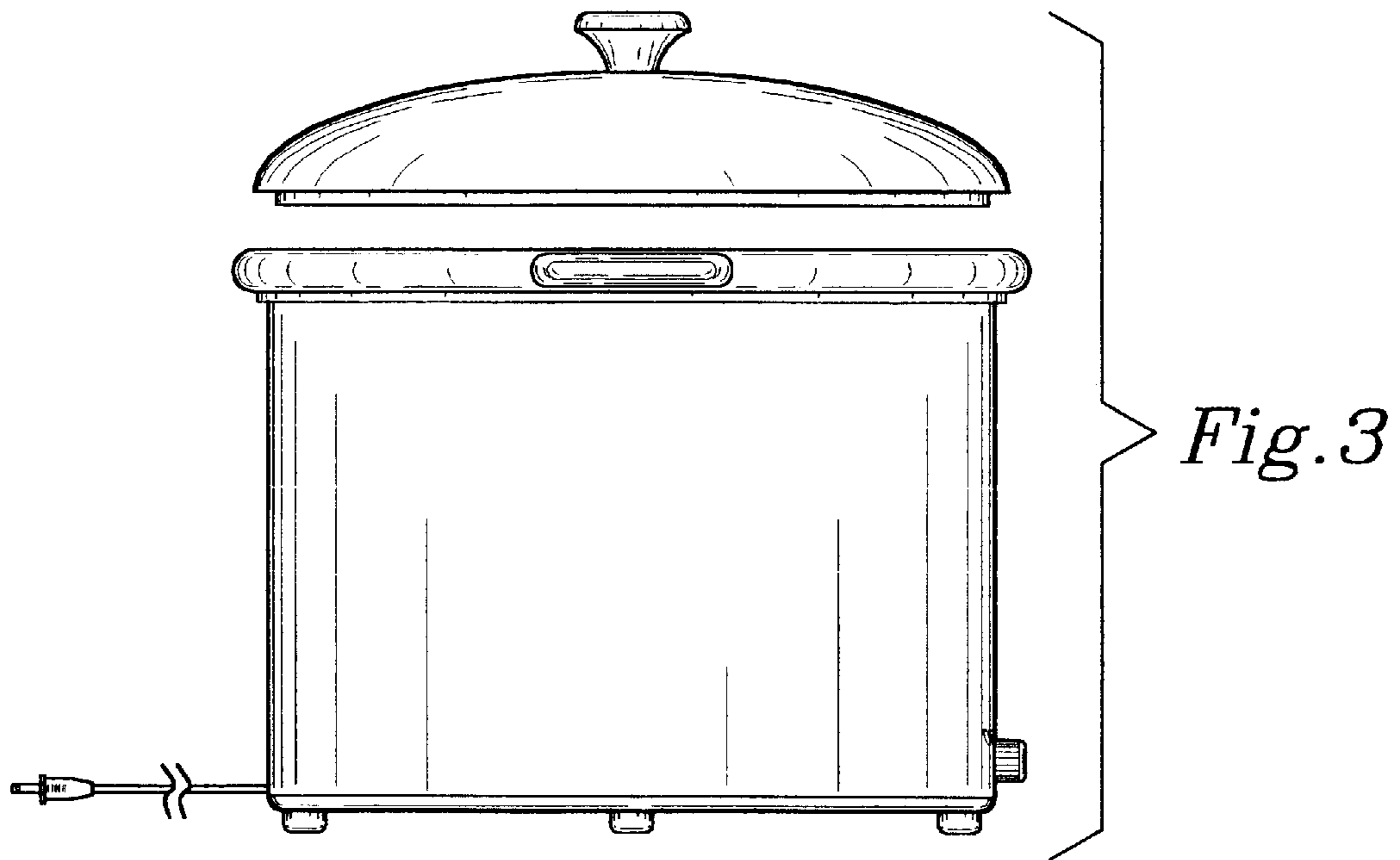


Fig. 2



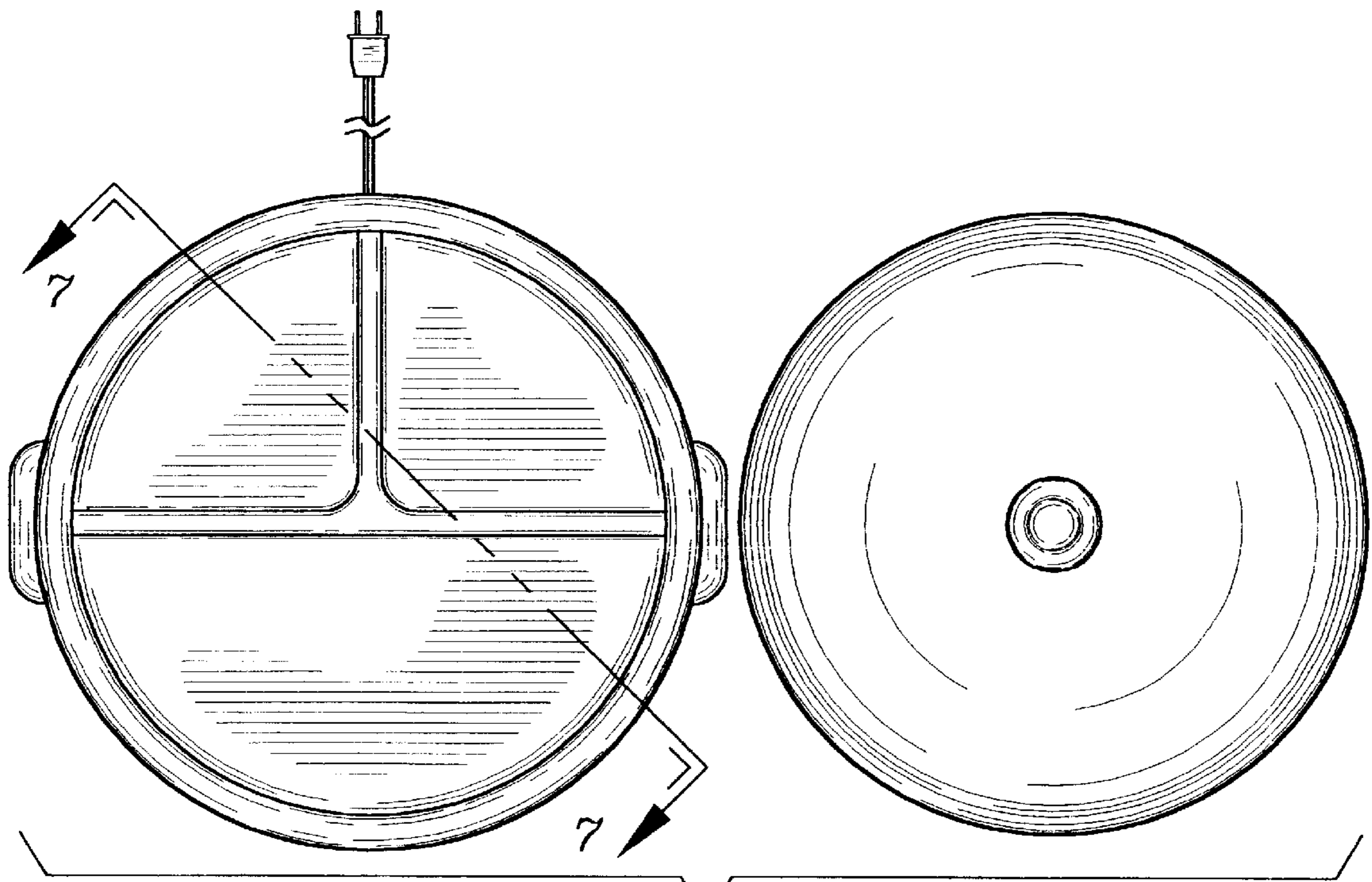


Fig. 5

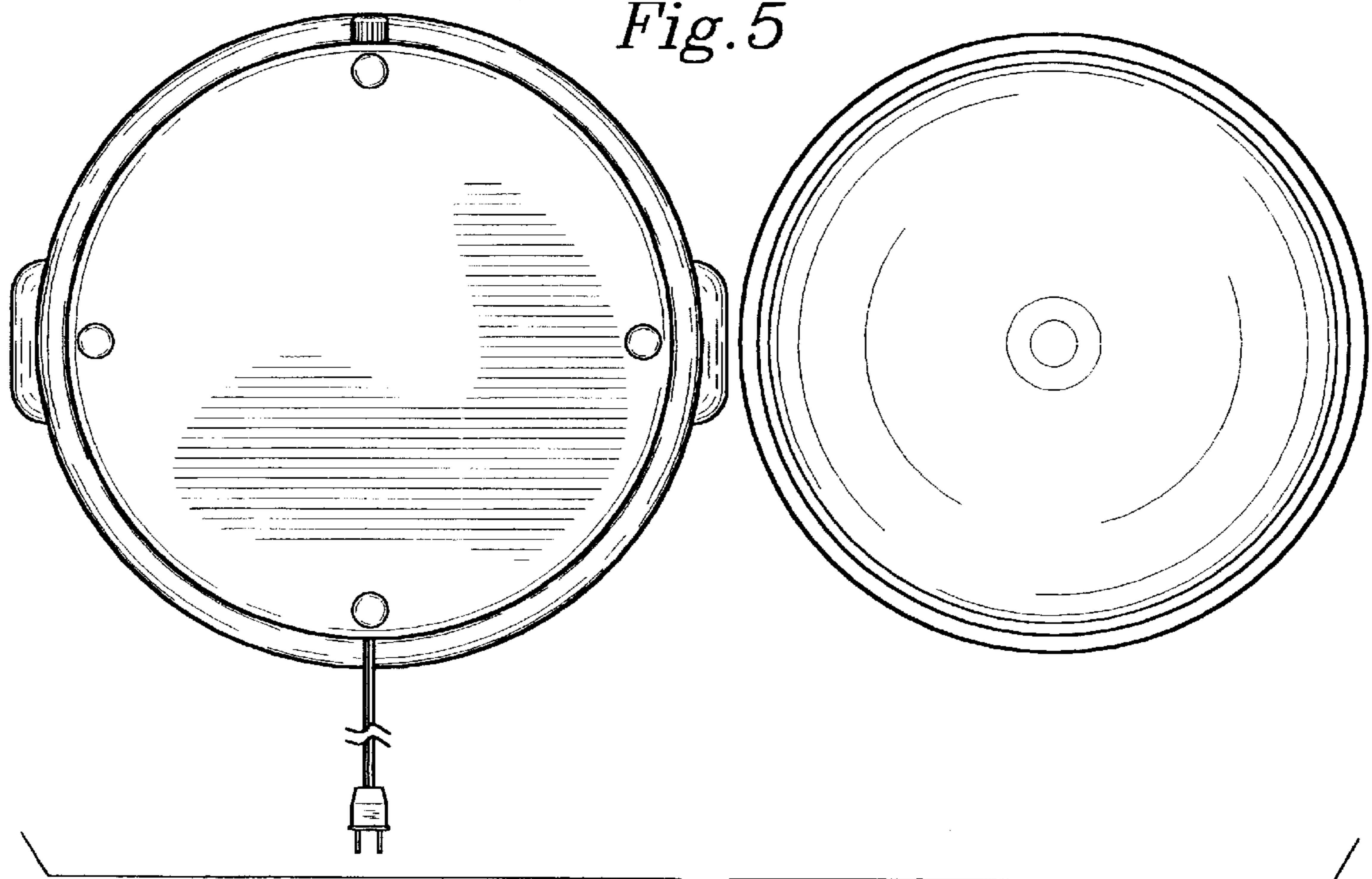


Fig. 6

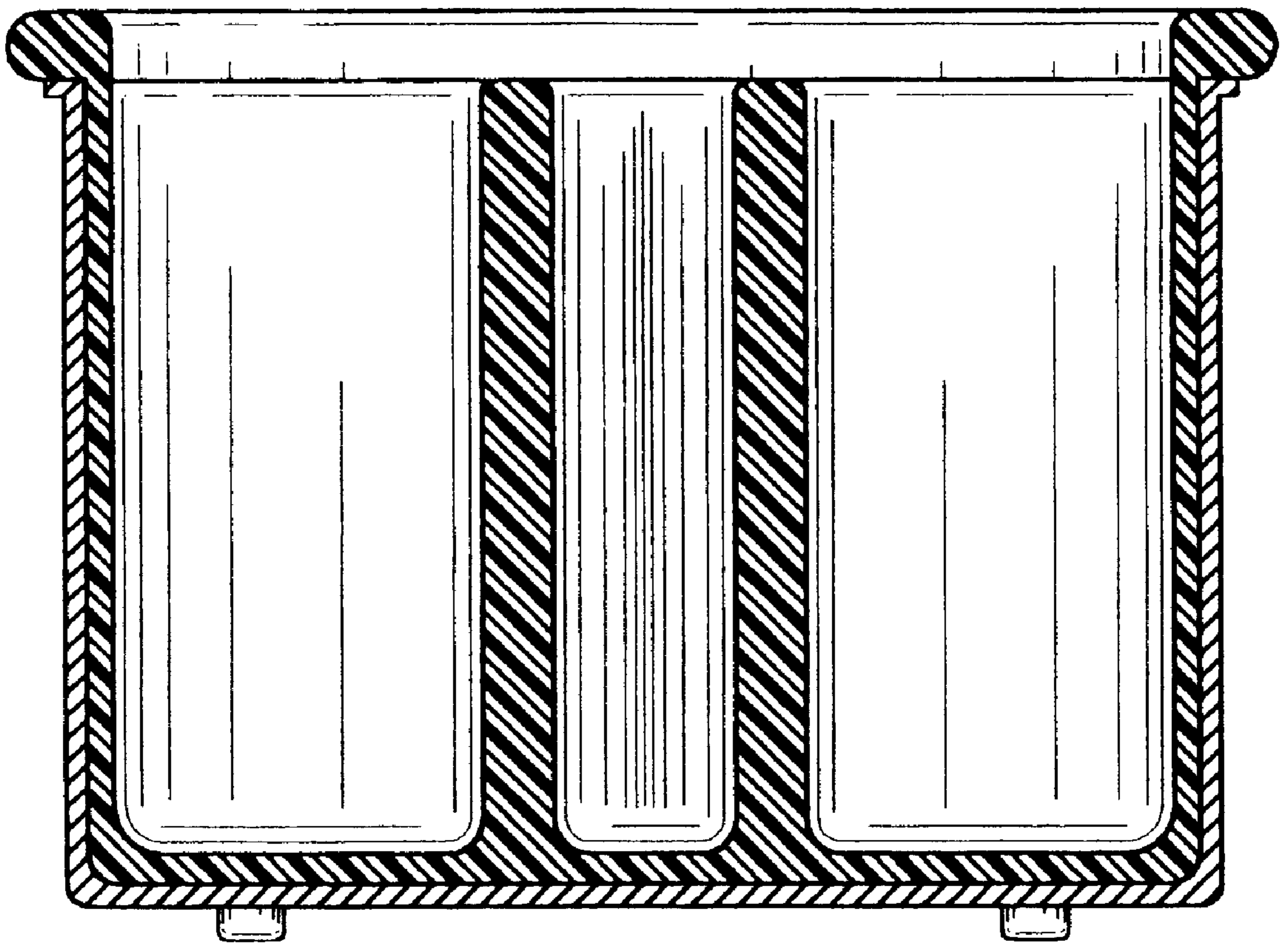


Fig. 7