



US00D431148S

United States Patent [19] Mittmann

[11] Patent Number: Des. 431,148

[45] Date of Patent: ** Sep. 26, 2000

[54] PAN CORNER

[75] Inventor: Jeffrey C. Mittmann, Plymouth, Wis.

[73] Assignee: The Vollrath Company, L.L.C.,
Sheboygan, Wis.

[**] Term: 14 Years

[21] Appl. No.: 29/085,301

[22] Filed: Mar. 19, 1998

[51] LOC (7) Cl. 07-02

[52] U.S. Cl. D7/354

[58] Field of Search D7/323, 354, 601,
D7/703, 707; D9/415, 423-426, 434; 220/780,
781, 784, 786, 788, 200, 380; 206/216,
427, 459.5, 508, 515, 518, 564, 592, 593;
229/406

[56] References Cited

U.S. PATENT DOCUMENTS

- D. 191,565 10/1961 Wolf et al. .
- D. 202,964 11/1965 Benes et al. .
- D. 277,993 3/1985 Sinchok .

(List continued on next page.)

FOREIGN PATENT DOCUMENTS

- 1253019 12/1960 France .
- 267337 11/1988 France .
- 0348866 9/1993 France .

(List continued on next page.)

Primary Examiner—Caron D. Veynar
Attorney, Agent, or Firm—Foley & Lardner

[57] CLAIM

The ornamental design for a pan corner, as shown.

DESCRIPTION

FIG. 1 is a top perspective view of a pan corner showing my new design;

FIG. 2 is a top plan view, the bottom plan view being a mirror image thereof;

FIG. 3 is a front elevational view;

FIG. 4 is an auxiliary elevational view taken along lines 4—4 of FIG. 2;

FIG. 5 is a right side elevational view thereof;

FIG. 6 is a sectional view taken along line 6—6 of FIG. 2;

FIG. 7 is a top perspective view of a second embodiment of FIGS. 1-6;

FIG. 8 is a top plan view of the second embodiment; the bottom plan view being a mirror image thereof;

FIG. 9 is a front elevational view of the second embodiment;

FIG. 10 is an auxiliary elevational view of the second embodiment taken along lines 10—10 of FIG. 8;

FIG. 11 is a right side elevational view of the second embodiment;

FIG. 12 is a sectional view of the second embodiment taken along lines 12—12 of FIG. 8;

FIG. 13 is a top perspective view of a third embodiment of my new design;

FIG. 14 is a top plan view of the third embodiment; the bottom plan view being a mirror image thereof;

FIG. 15 is a front elevational view of the third embodiment;

FIG. 16 is an auxiliary elevational view of the third embodiment taken along lines 16—16 of FIG. 14;

FIG. 17 is a right side elevational view of the third embodiment;

FIG. 18 is a sectional view of the third embodiment taken along lines 18—18 of FIG. 14;

FIG. 19 is a top perspective view of a fourth embodiment of my new design;

FIG. 20 is a top plan view of the fourth embodiment; the bottom plan view being a mirror image thereof;

FIG. 21 is a front elevational view of the fourth embodiment;

FIG. 22 is an auxiliary elevational view of the fourth embodiment taken along lines 22—22 of FIG. 20;

FIG. 23 is a right side elevational view of the fourth embodiment; and,

FIG. 24 is a sectional view of the fourth embodiment taken along lines 24—24 of FIG. 20.

The broken lines shown in FIGS. 1-24 are for illustrative purposes only and form no part of the claimed design.

1 Claim, 6 Drawing Sheets



U.S. PATENT DOCUMENTS

D. 282,520	2/1986	Schrage .		3,700,096	10/1972	Reifers .	
D. 291,526	8/1987	Heaney et al. .		3,938,727	2/1976	Andersson .	
D. 365,273	12/1995	Indekeu	D9/434	4,113,095	9/1978	Dietz et al. .	
D. 387,986	12/1997	Hayes et al.	D9/435	4,183,435	1/1980	Thompson et al. .	
2,170,040	8/1939	Stuart .		4,660,734	4/1987	Heaney et al. .	
2,605,929	8/1952	Bloomfield .		5,035,327	7/1991	Denzin et al. .	
2,656,066	10/1953	Riemenschneider .		5,244,094	9/1993	Graff, Jr. et al.	206/564
2,673,003	3/1954	Stewart .		5,375,719	12/1994	Mittmann et al. .	
2,738,915	3/1956	Clair .		5,641,090	6/1997	Kowalski et al.	220/782
2,814,427	11/1957	Emery .					
3,098,597	7/1963	Johnson et al. .					
3,326,408	6/1967	Ringlen .					
3,420,431	1/1969	Donovan .					
3,442,377	5/1969	Angelus	220/801				
3,451,588	6/1969	Weber .					
3,539,552	11/1970	Mounts et al. .					
3,558,002	1/1971	Lindgren .					
3,563,445	2/1971	Clayton .					
3,583,623	6/1971	Golner et al. .					

FOREIGN PATENT DOCUMENTS

0348867	9/1993	France .
0348868	9/1993	France .
0348869	9/1993	France .
0348870	9/1993	France .
0348871	9/1993	France .
0348872	9/1993	France .
0348873	9/1993	France .
038746	1/1997	WIPO .

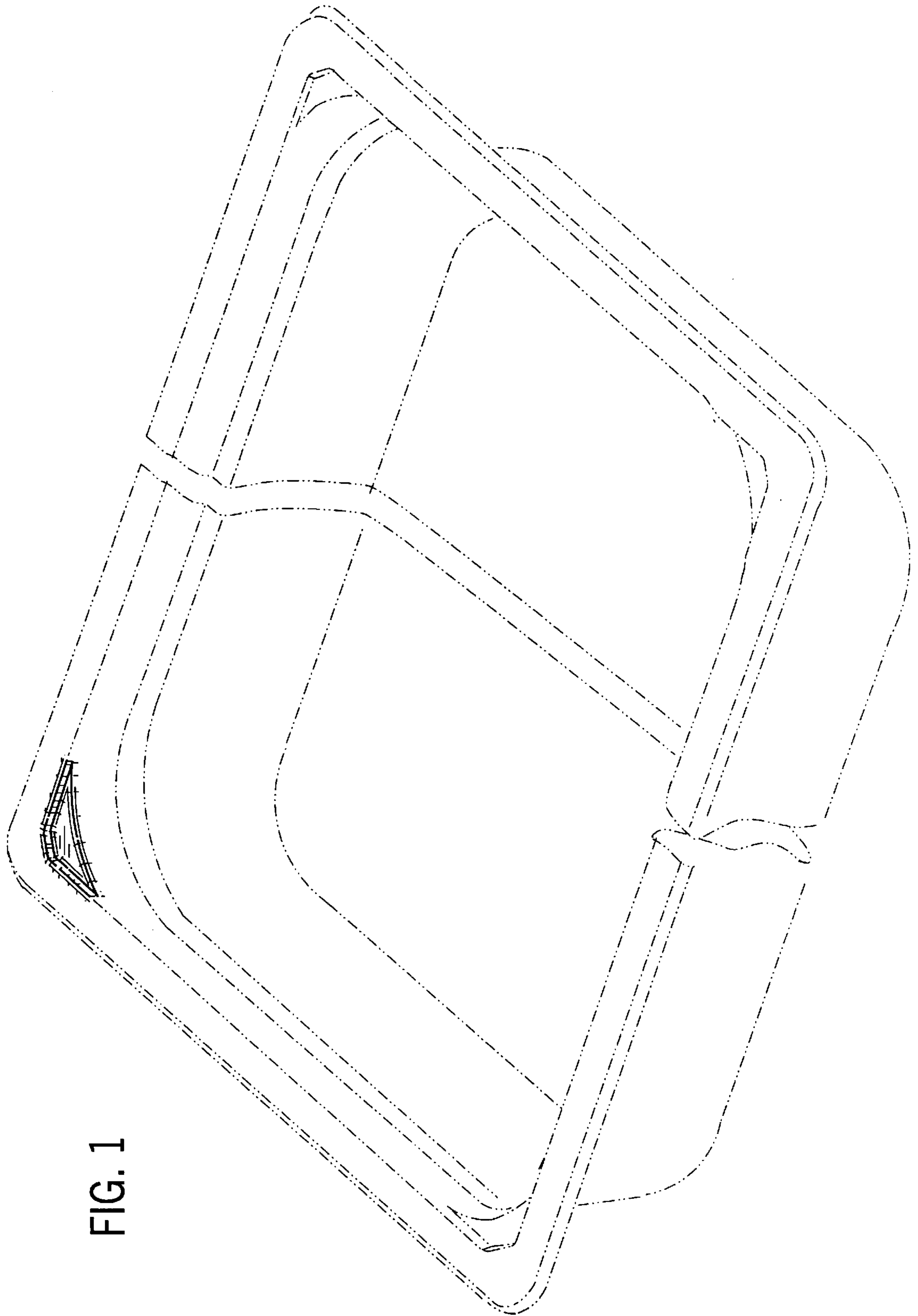


FIG. 1

FIG. 2

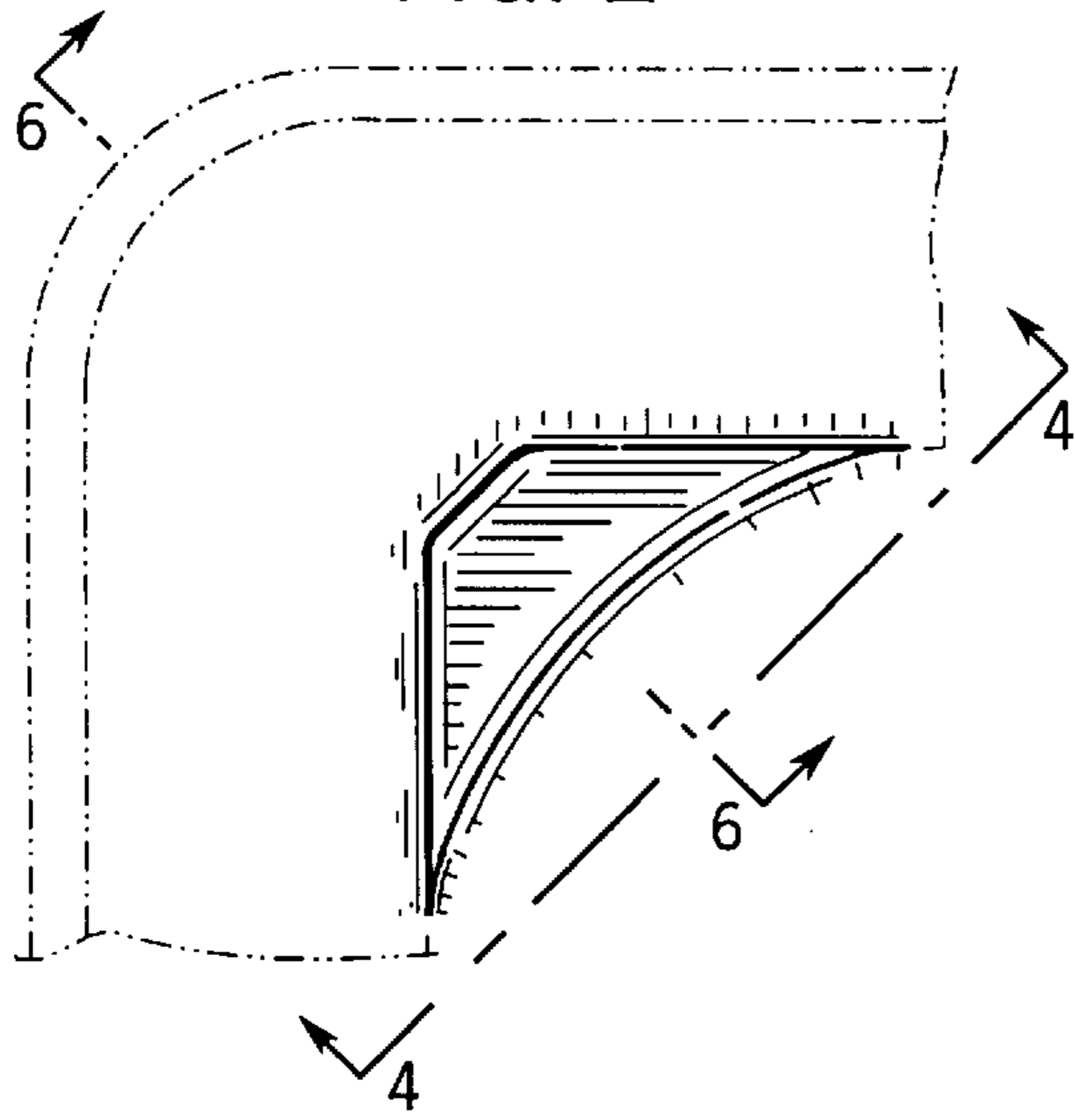


FIG. 8

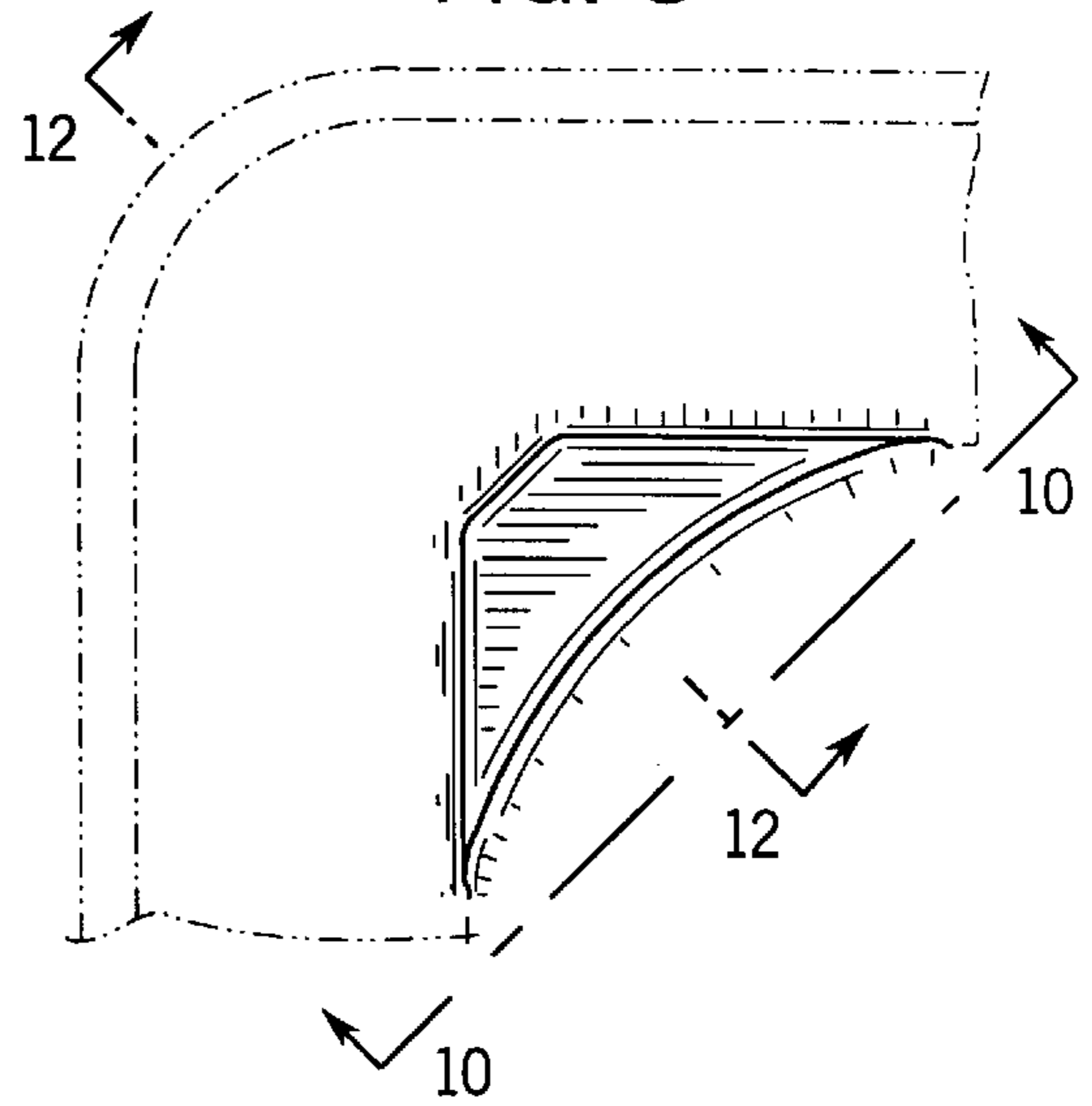


FIG. 3



FIG. 9



FIG. 4



FIG. 10

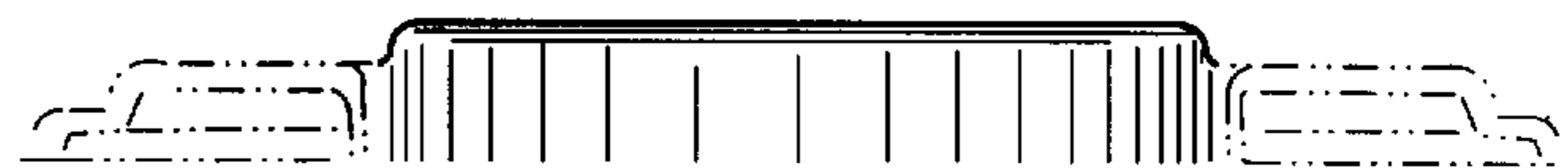


FIG. 5



FIG. 11



FIG. 6

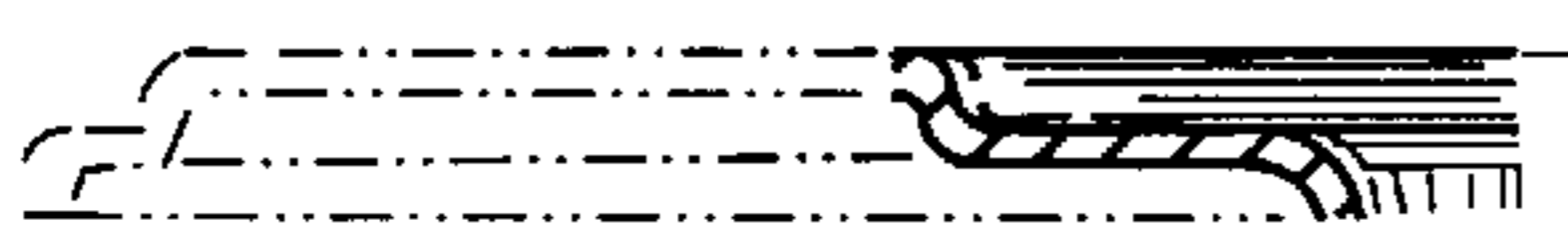
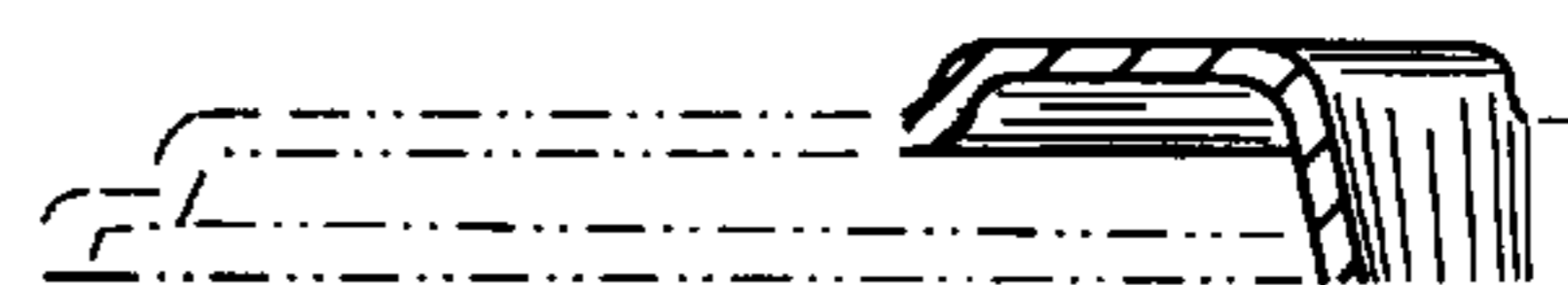


FIG. 12



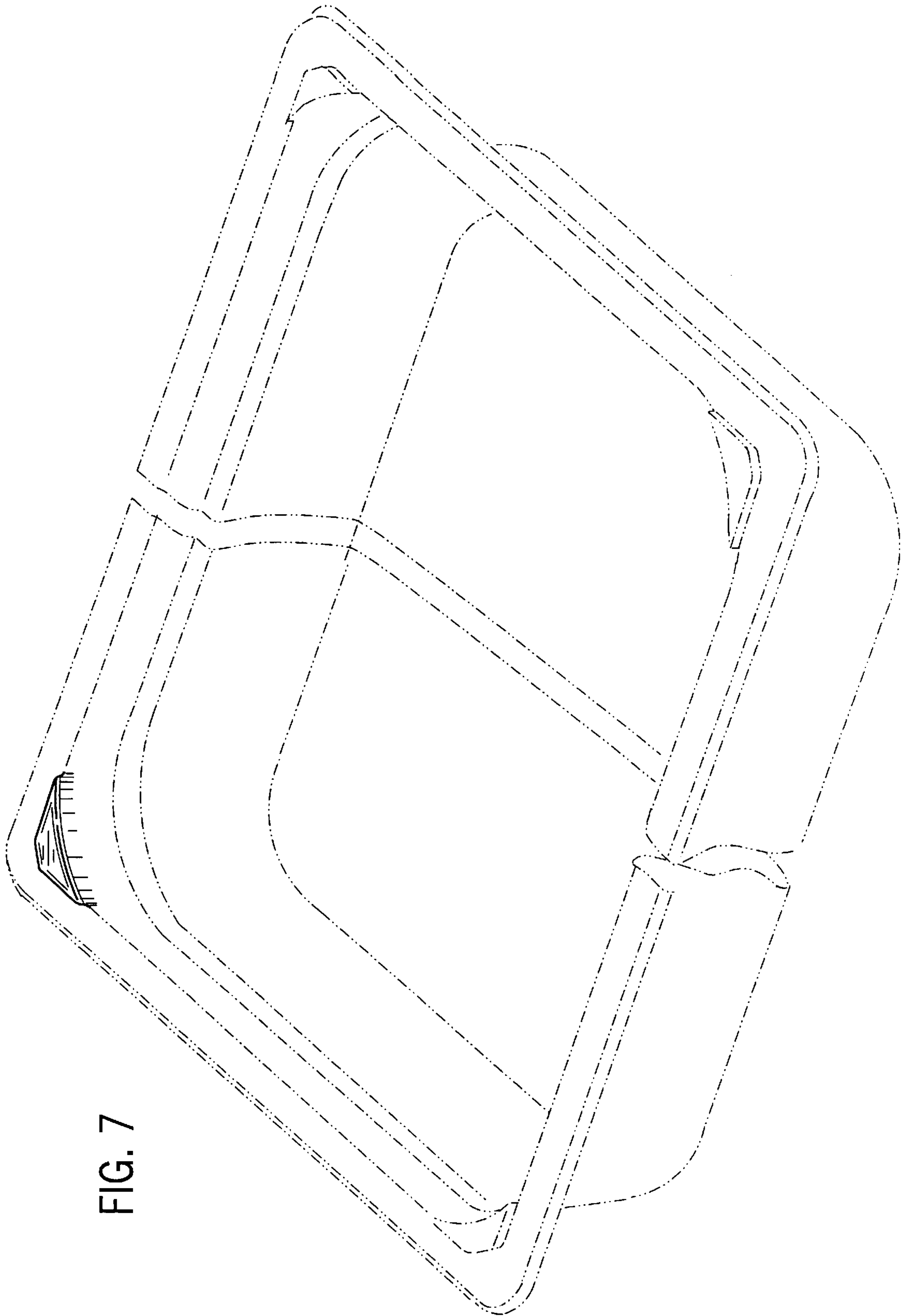


FIG. 7

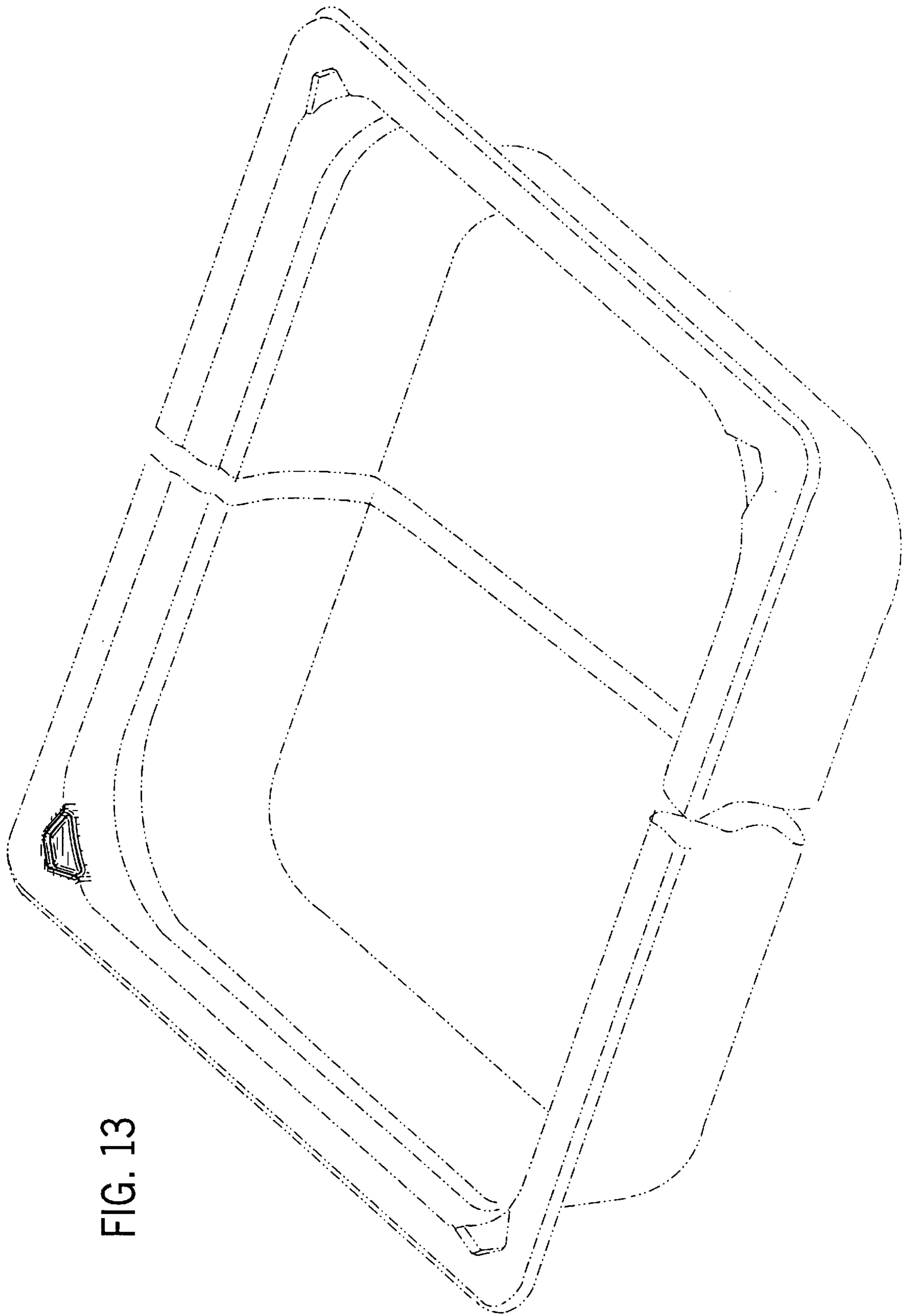


FIG. 13

FIG. 14

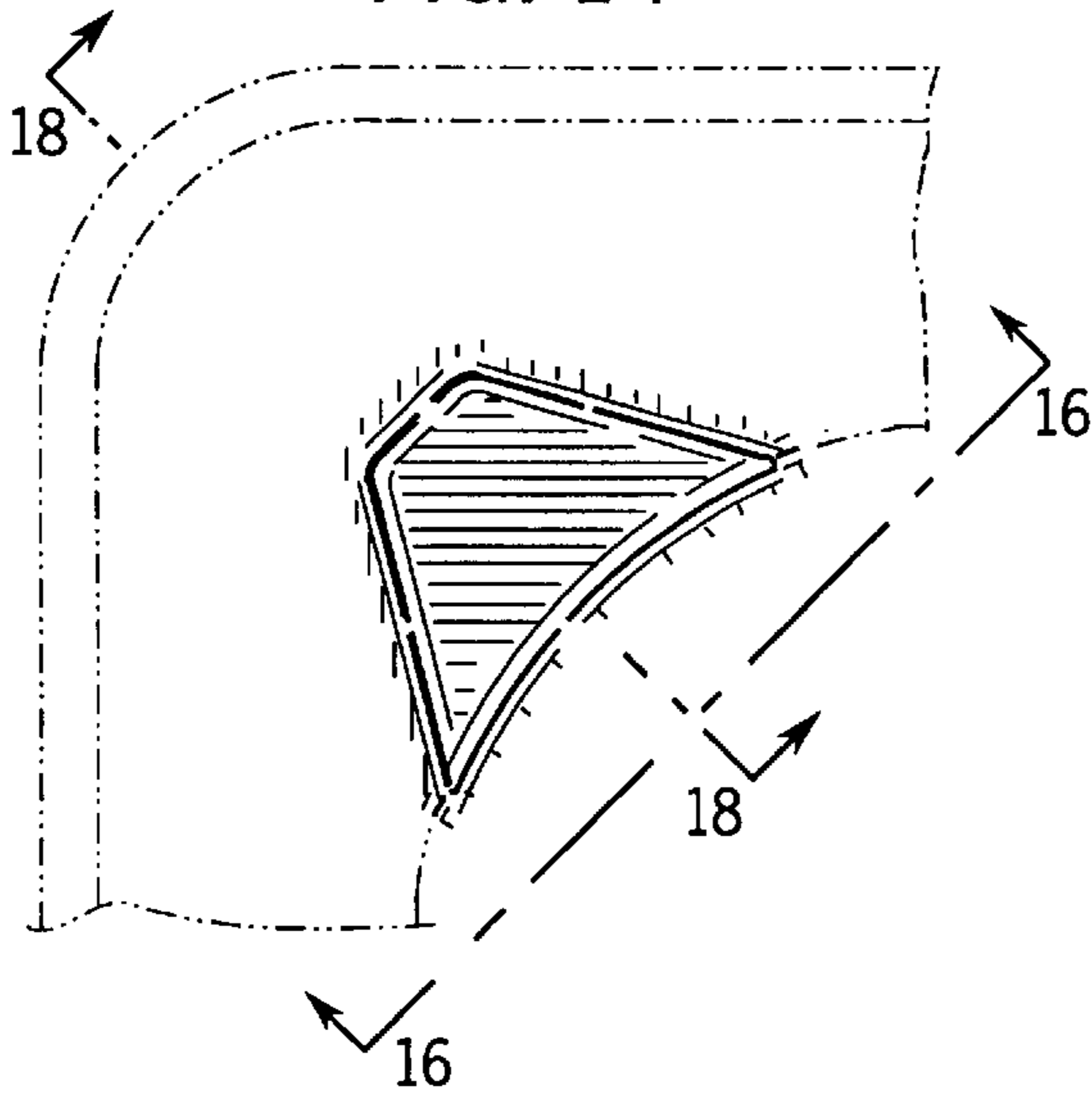


FIG. 20

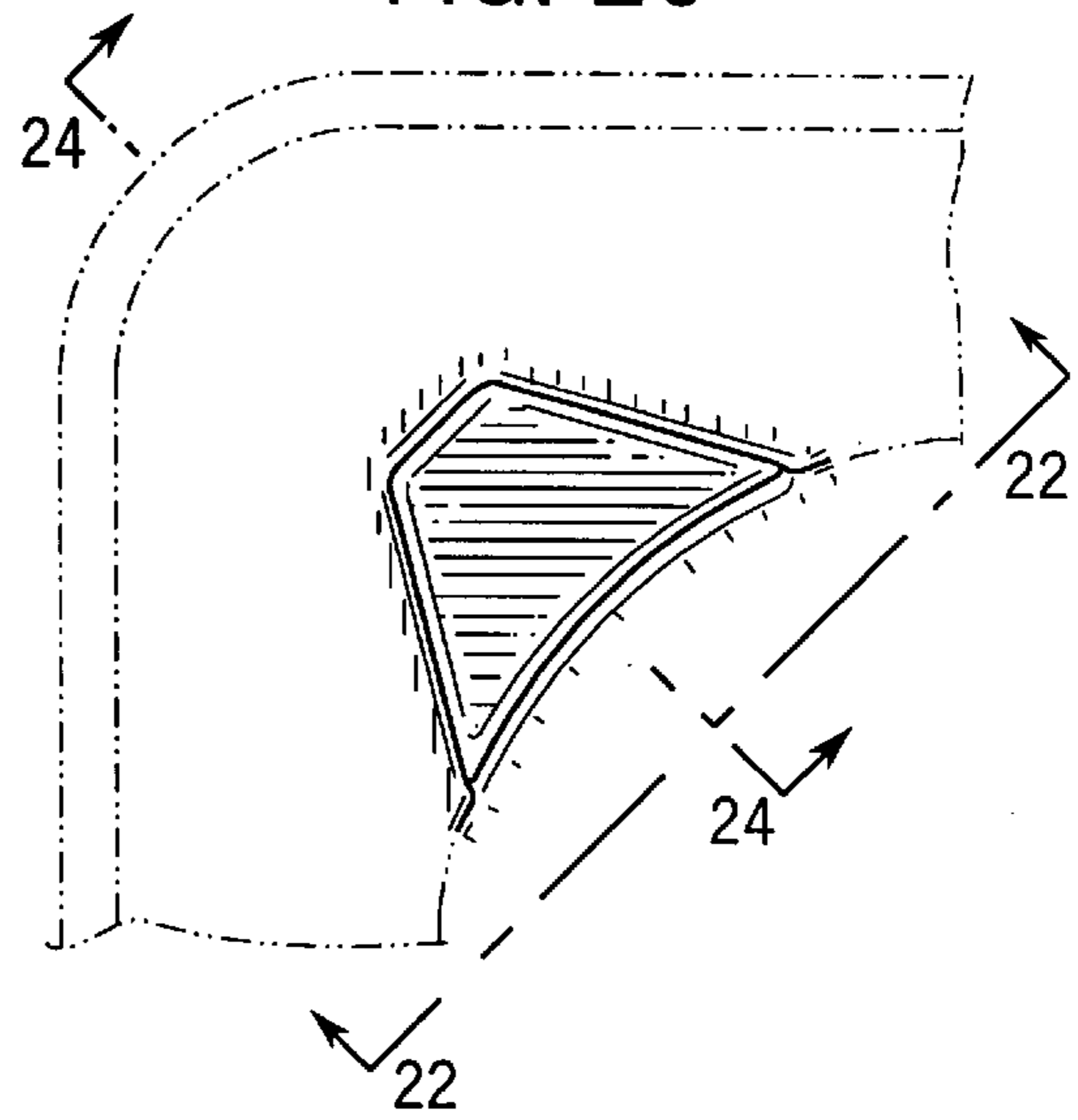


FIG. 15



FIG. 21



FIG. 16

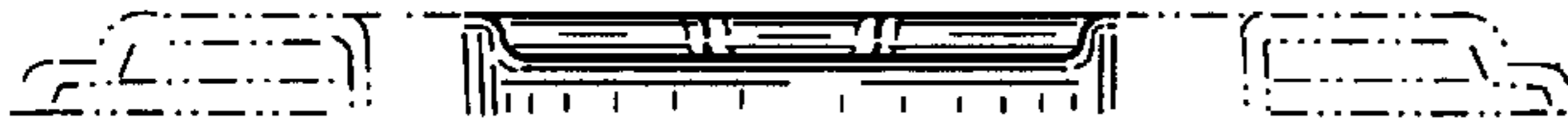


FIG. 22

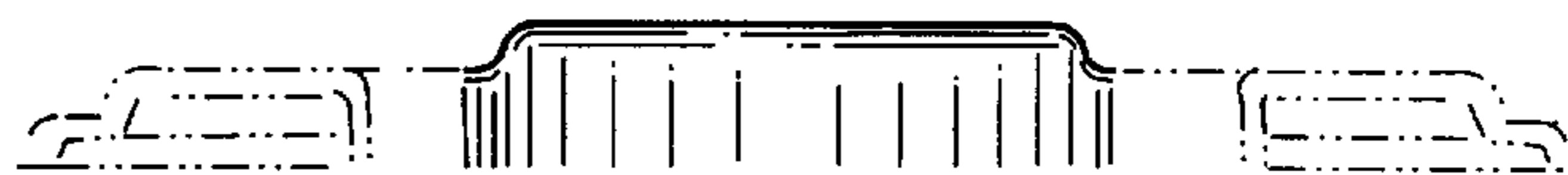


FIG. 17



FIG. 23



FIG. 18



FIG. 24



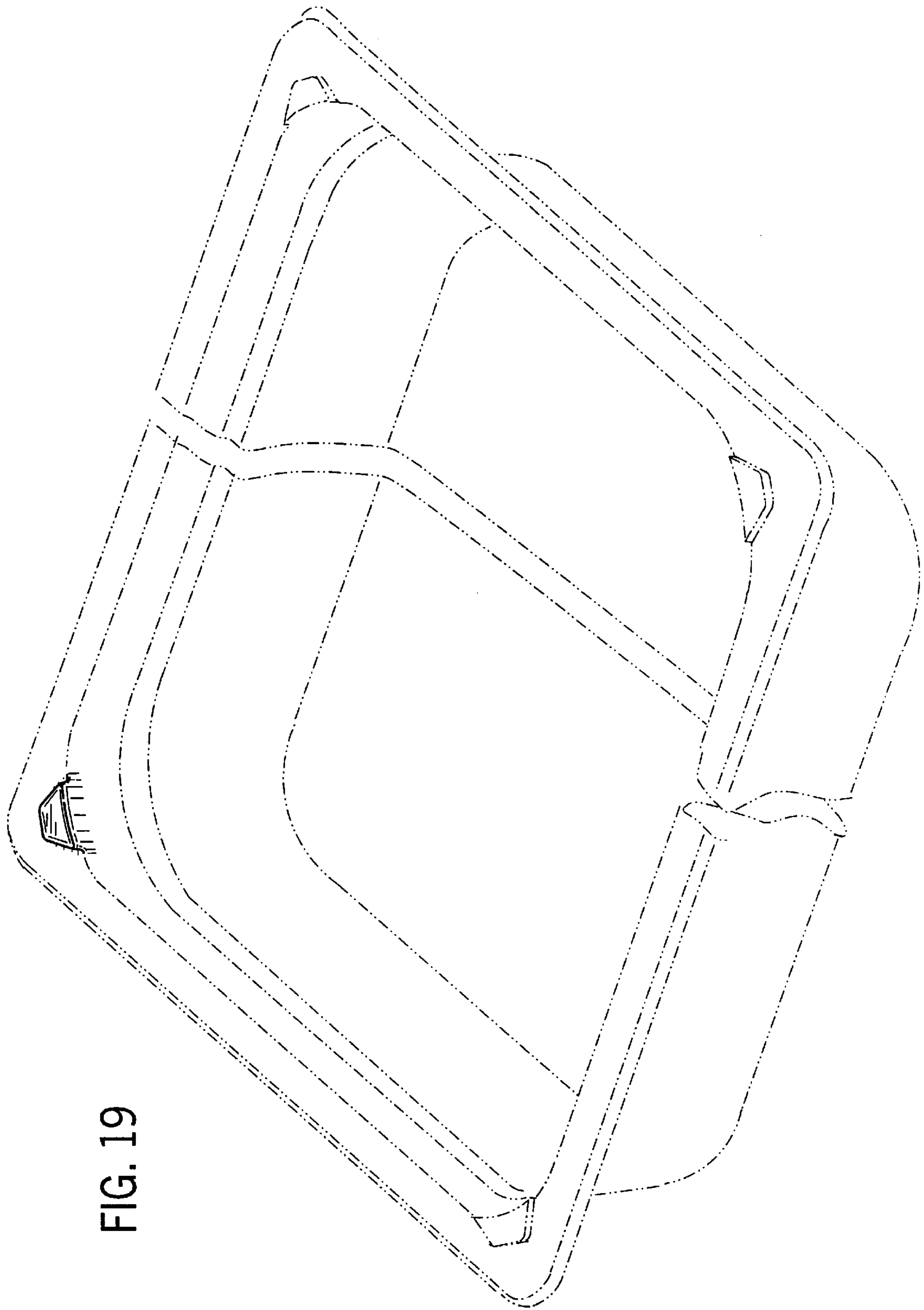


FIG. 19