



US00D431146S

# United States Patent [19]

Ford, Sr.

[11] Patent Number: **Des. 431,146**

[45] Date of Patent: **\*\* Sep. 26, 2000**

[54] LIQUOR TREATING APPARATUS

Attorney, Agent, or Firm—Bracewell & Patterson, L.L.P.

[76] Inventor: **Clifton K. Ford, Sr.**, 4250 Lakeshore Forest Dr., Missouri City, Tex. 77459

[57] **CLAIM**

The ornamental design for liquor treating apparatus, as shown and described.

[\*\*] Term: **14 Years**

### DESCRIPTION

[21] Appl. No.: **29/108,532**

FIG. 1 is an isometric view showing the ornamental design for a liquor treating apparatus according to the present invention.

[22] Filed: **Jul. 29, 1999**

FIG. 2 is top plan view of the liquor treating apparatus of FIG. 1.

[51] LOC (7) Cl. .... **07-01**

[52] U.S. Cl. .... **D7/309; D23/207**

[58] Field of Search ..... D23/200, 207, D23/209; D7/309, 310, 311; 99/277, 277.11, 323.1

FIG. 3 is a front elevation view of the liquor treating apparatus of FIG. 1.

FIG. 4 is a right side elevation view of the liquor treating apparatus of FIG. 1.

### [56] References Cited

#### U.S. PATENT DOCUMENTS

D. 412,550	8/1999	Bell	.....	D23/207
4,233,152	11/1980	Hill et al.	.....	210/703
5,260,081	11/1993	Stumphauzer et al.	.....	99/323.1
5,778,763	7/1998	Ford	.....	99/323.1
5,870,944	2/1999	Zalm et al.	.....	99/323.1

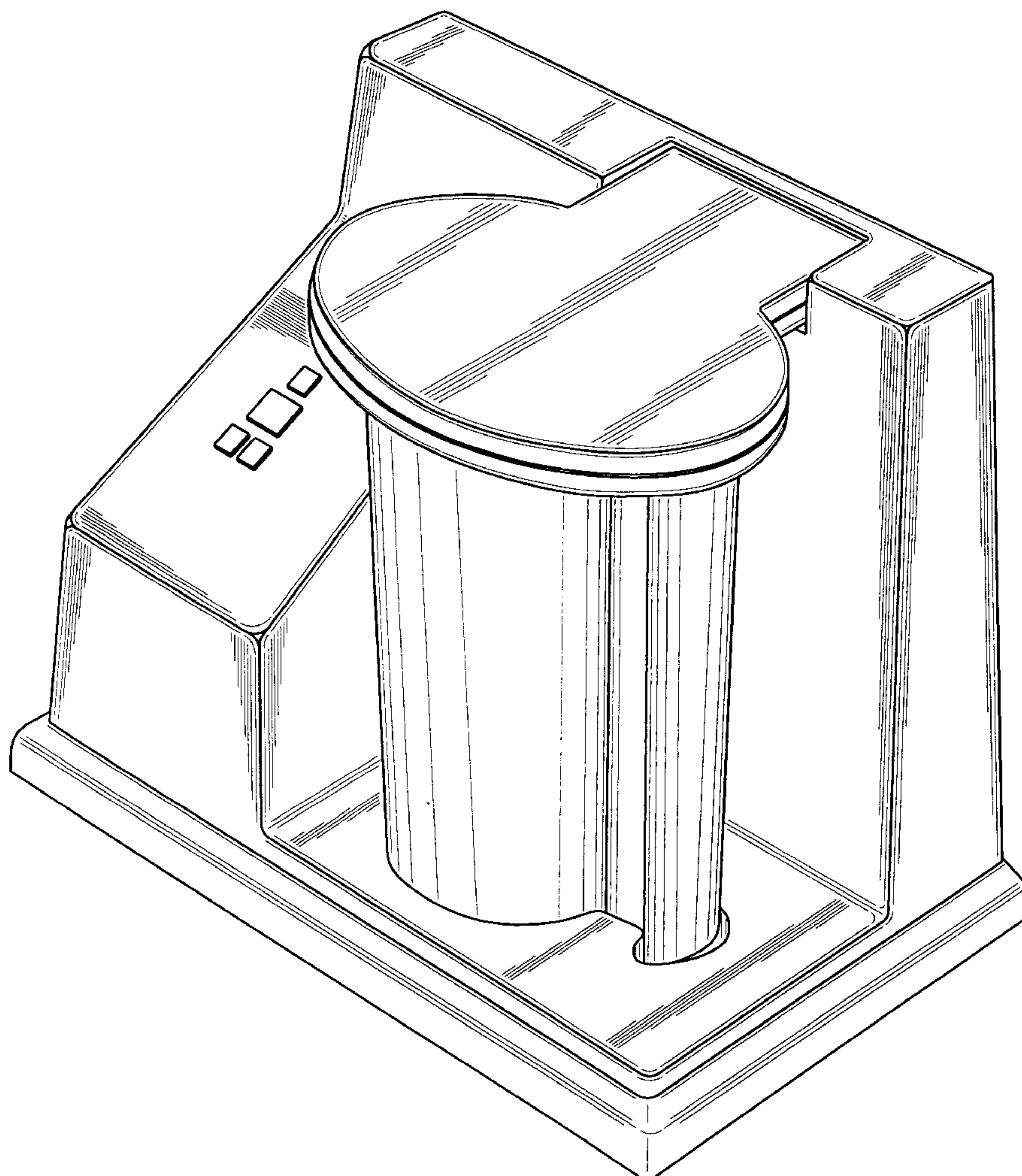
FIG. 5 is a left side elevation view of the liquor treating apparatus of FIG. 1, and;

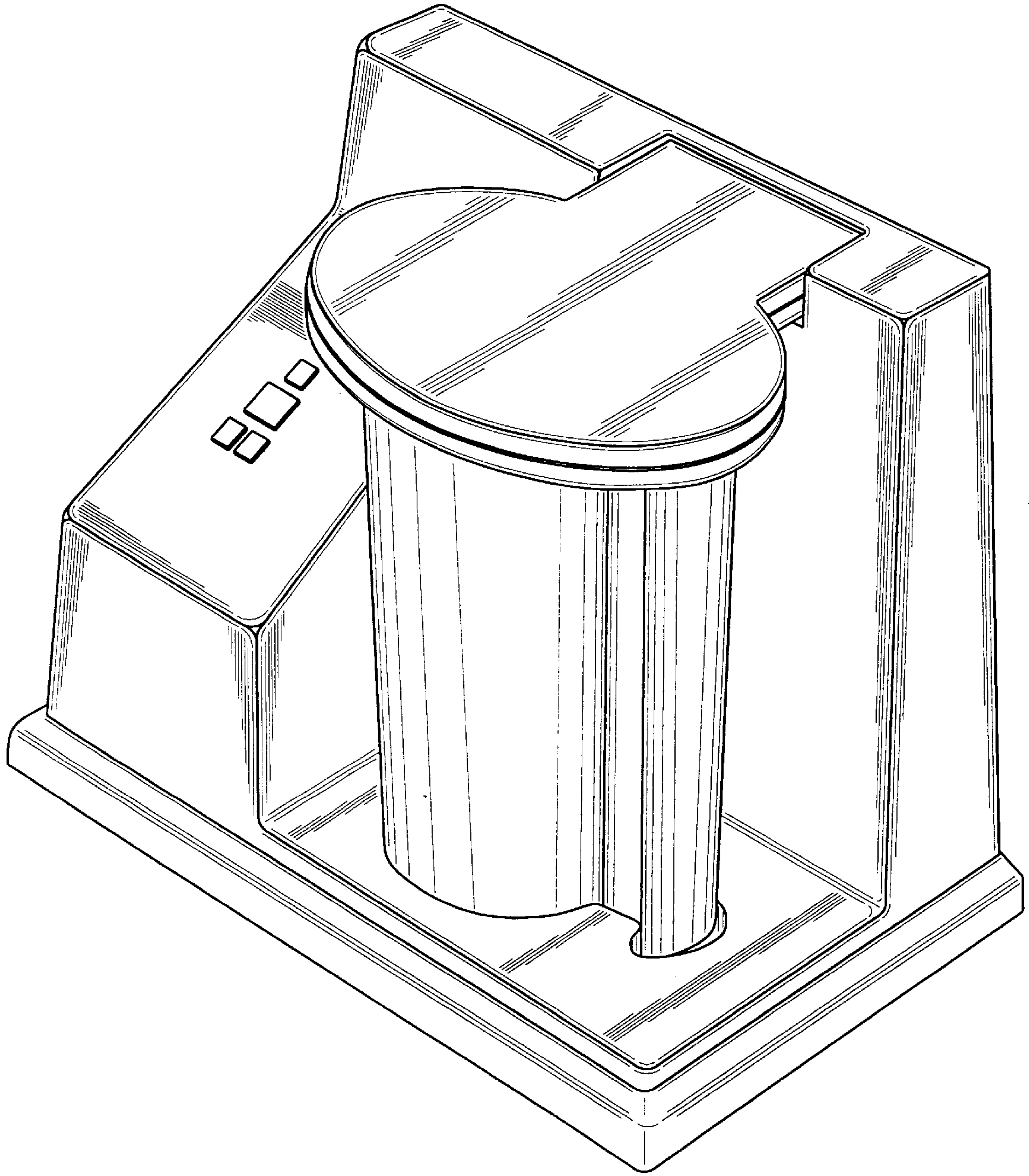
FIG. 6 is a rear elevation view of the liquor treating apparatus of FIG. 1.

The bottom view of the liquor treating apparatus of FIG. 1 is plain and unornamental.

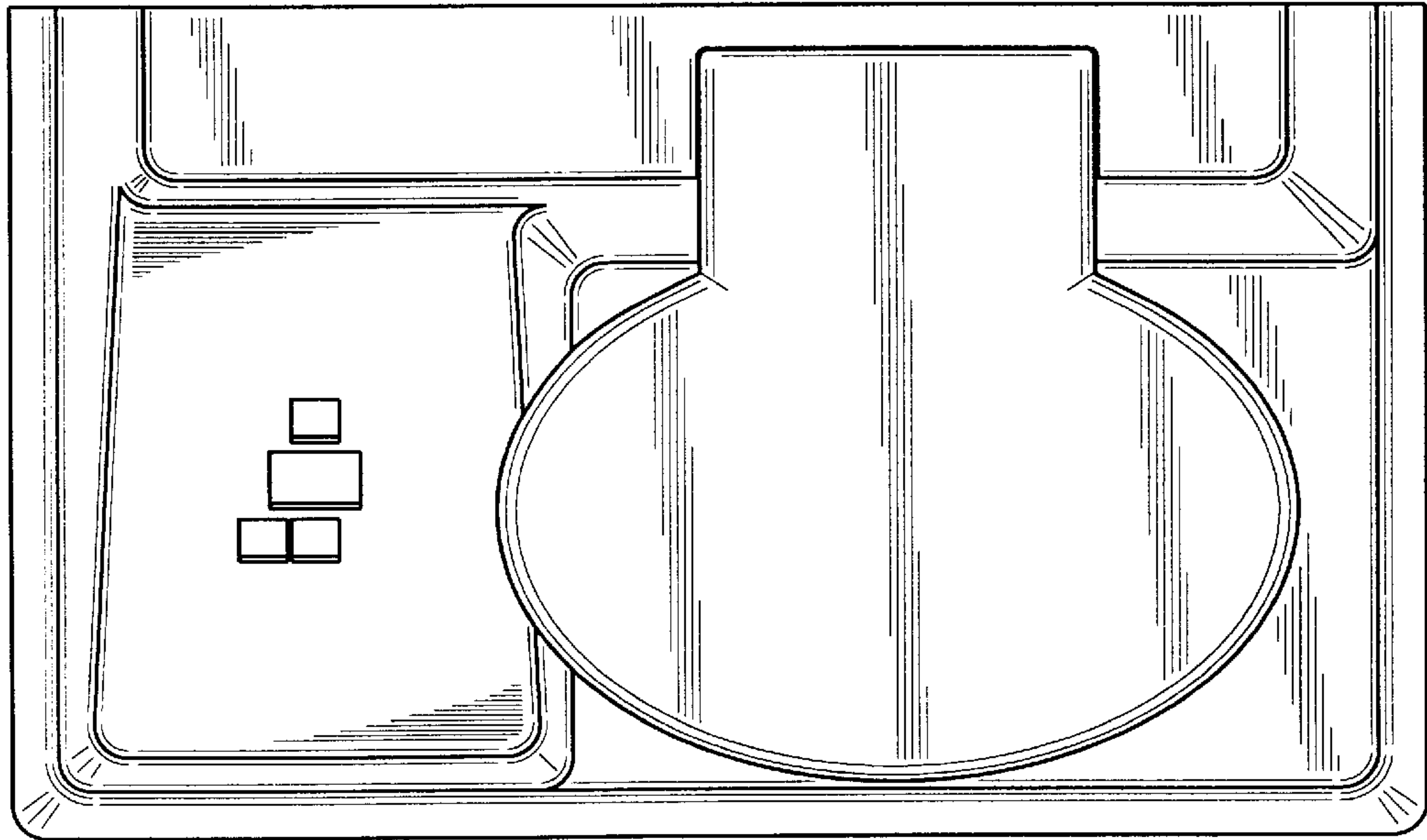
Primary Examiner—Robin V. Taylor

**1 Claim, 4 Drawing Sheets**

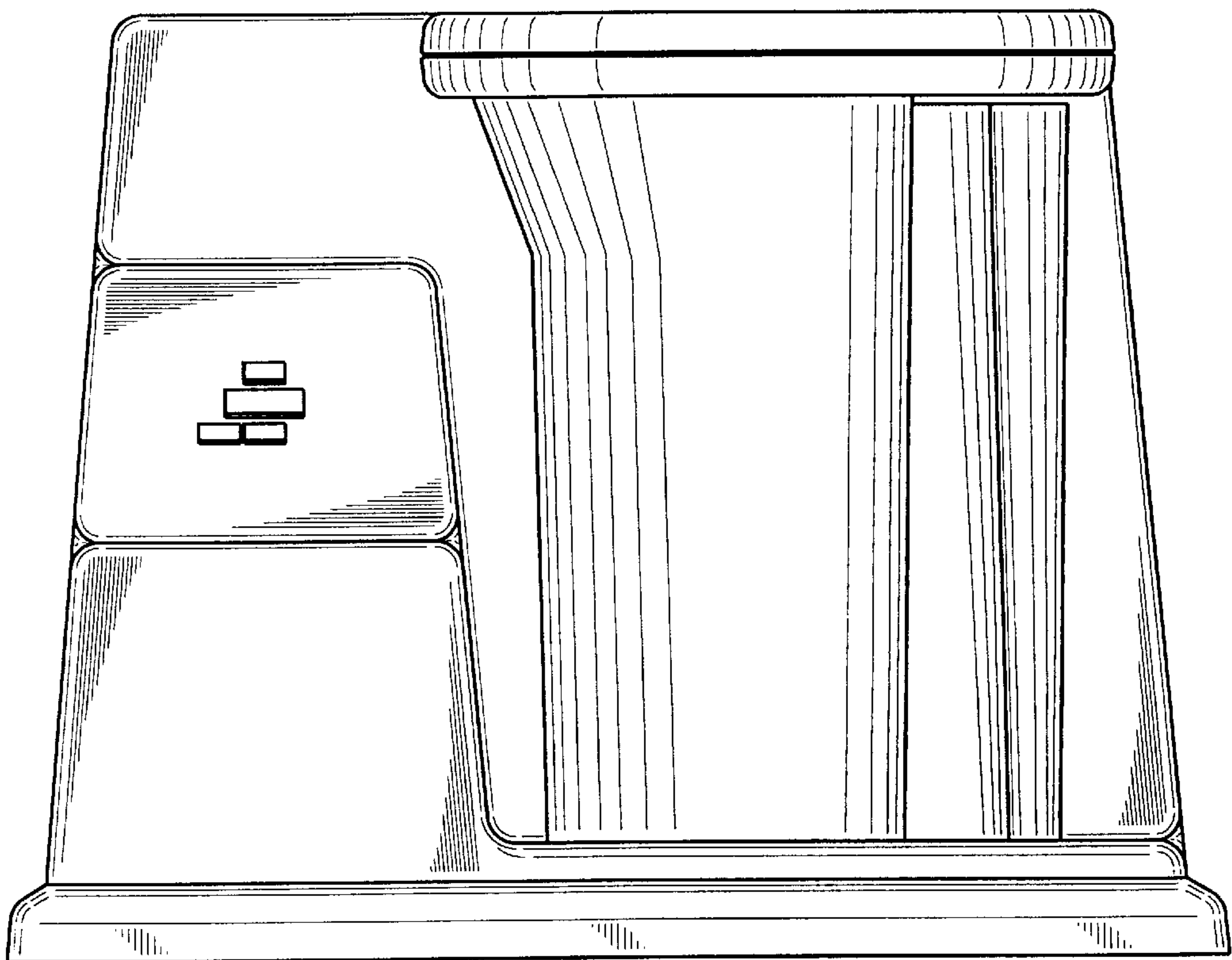




**FIG. 1**

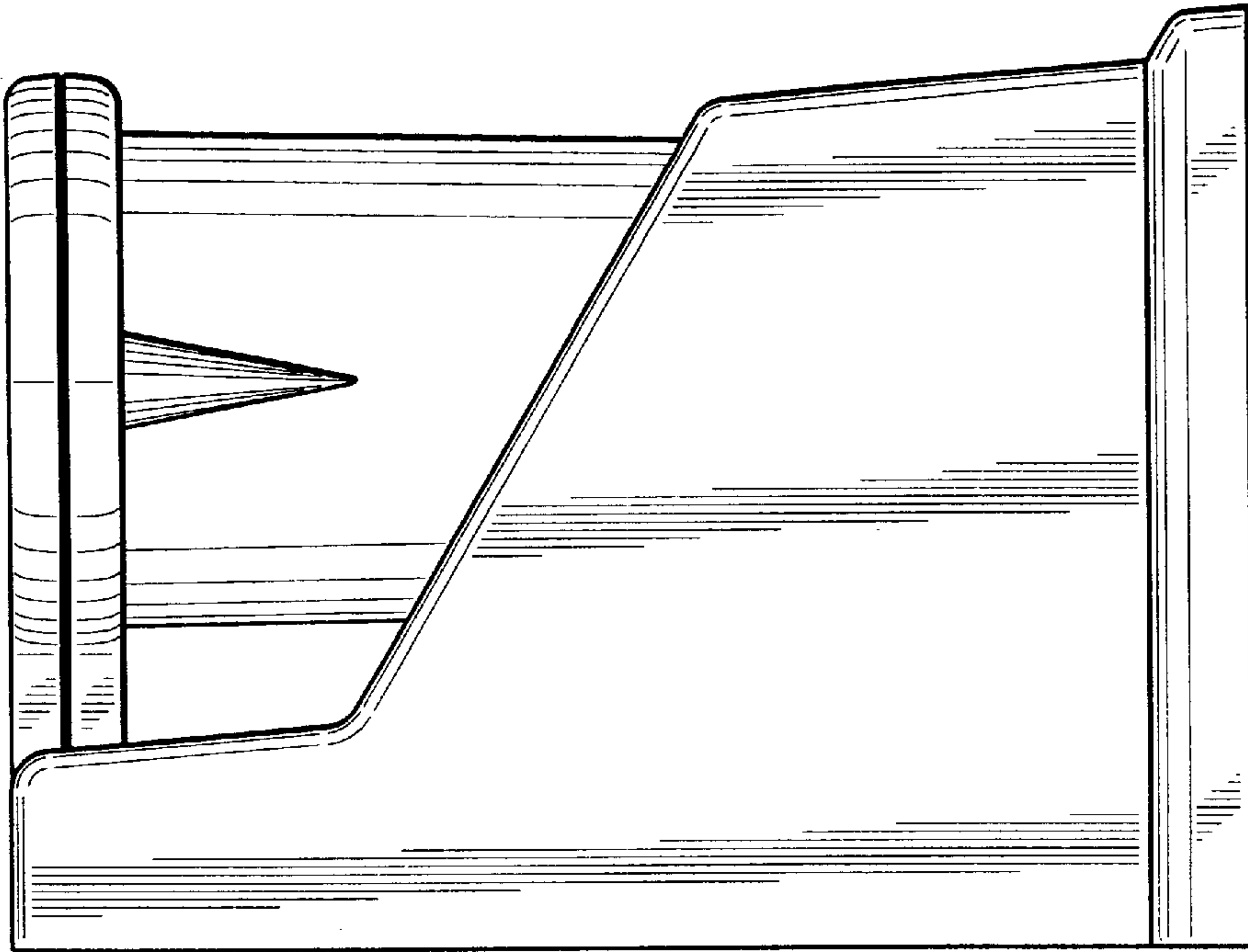


**FIG. 2**

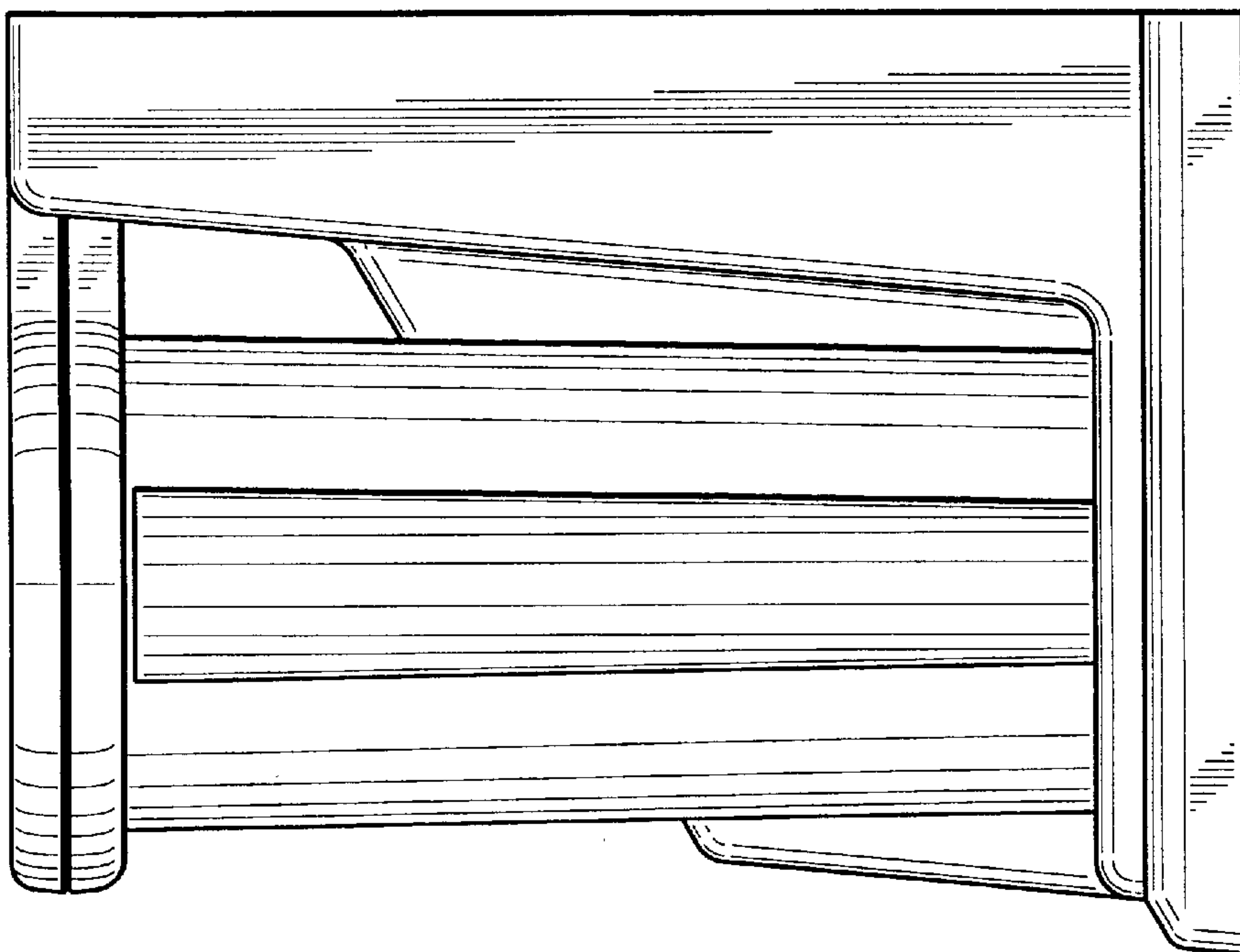


**FIG. 3**

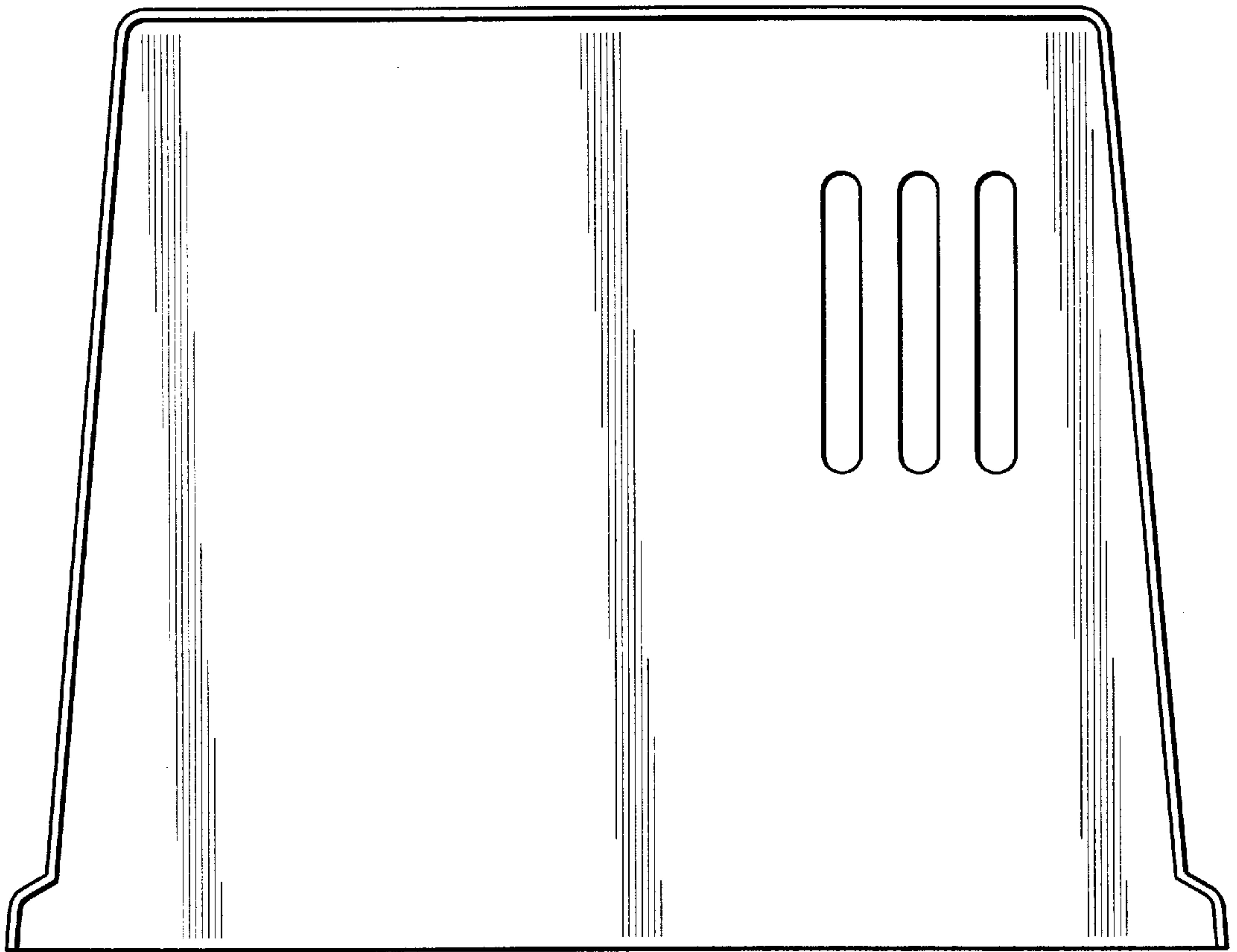




**FIG. 5**



**FIG. 4**



**FIG. 6**