



US00D431145S

# United States Patent [19]

[11] Patent Number: Des. 431,145

Woebcke et al.

[45] Date of Patent: \*\* Sep. 26, 2000

[54] BEVERAGE DISPENSER

[75] Inventors: **Lars Woebcke; Gil Aviles**, both of New York, N.Y.; **Glenn Carlin**, Kent, Conn.

[73] Assignee: **Pepsi-Lipton Tea Partnership**, Purchase, N.Y.

[\*\*] Term: **14 Years**

[21] Appl. No.: **29/100,550**

[22] Filed: **Feb. 12, 1999**

[51] LOC (7) Cl. .... **07-01**

[52] U.S. Cl. .... **D7/306; D7/312; D7/313**

[58] Field of Search ..... **D7/309, 310, 311, D7/306, 307, 308, 312, 313, 322, 300; 97/307, 295, 241, 305; 222/185.1, 156; D23/209**

[56] **References Cited**

**U.S. PATENT DOCUMENTS**

D. 199,408	10/1964	Felske	.....	D7/306
D. 258,658	3/1981	Hill	.....	D7/306
D. 274,929	7/1984	Davis et al.	.....	D23/207
D. 287,212	12/1986	Daugherty	.	
D. 292,961	12/1987	Daugherty	.	
D. 298,996	12/1988	Van Camp et al.	.	
D. 309,546	7/1990	Van Camp	.	
D. 311,297	10/1990	Van Camp	.	
D. 316,795	5/1991	Brewer	.	
D. 317,694	6/1991	Dust	.	

D. 322,535	12/1991	Van Camp	.	
D. 356,713	3/1995	Groover	.....	D7/306
D. 358,289	5/1995	Thies et al.	.....	D7/306
D. 366,095	1/1996	Farley	.....	D23/209
D. 369,057	4/1996	Bradford	.....	D7/313
D. 380,641	7/1997	Randle	.....	D7/313
D. 382,761	8/1997	Ford	.	
D. 386,933	12/1997	Browne	.....	D7/312
D. 419,362	1/2000	Bouhuys	.....	D7/306
5,409,094	4/1995	Muraco	.....	194/317

Primary Examiner—M. N. Pandozzi  
Attorney, Agent, or Firm—Fitzpatrick, Cella, Harper & Scinto

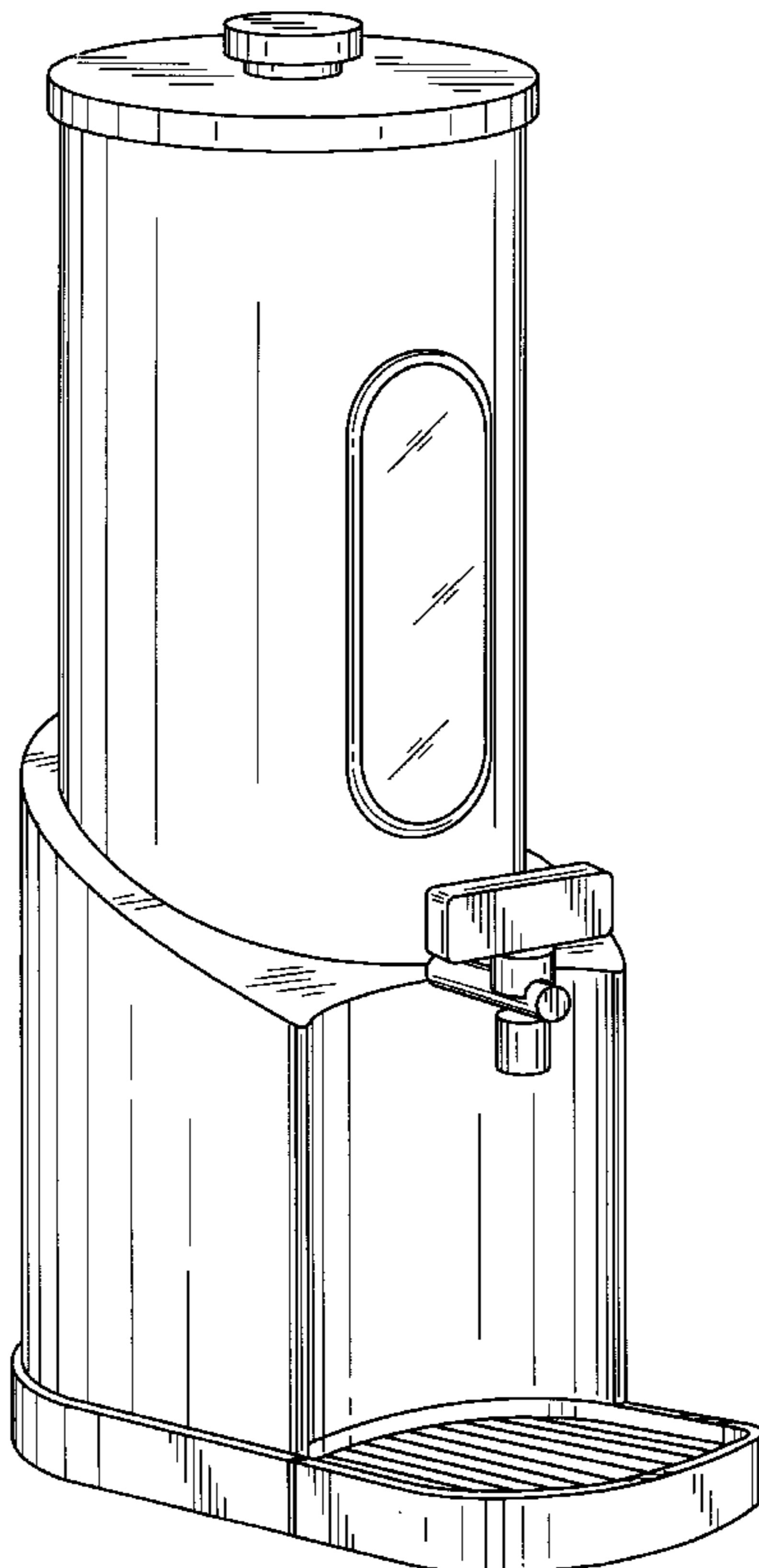
[57] **CLAIM**

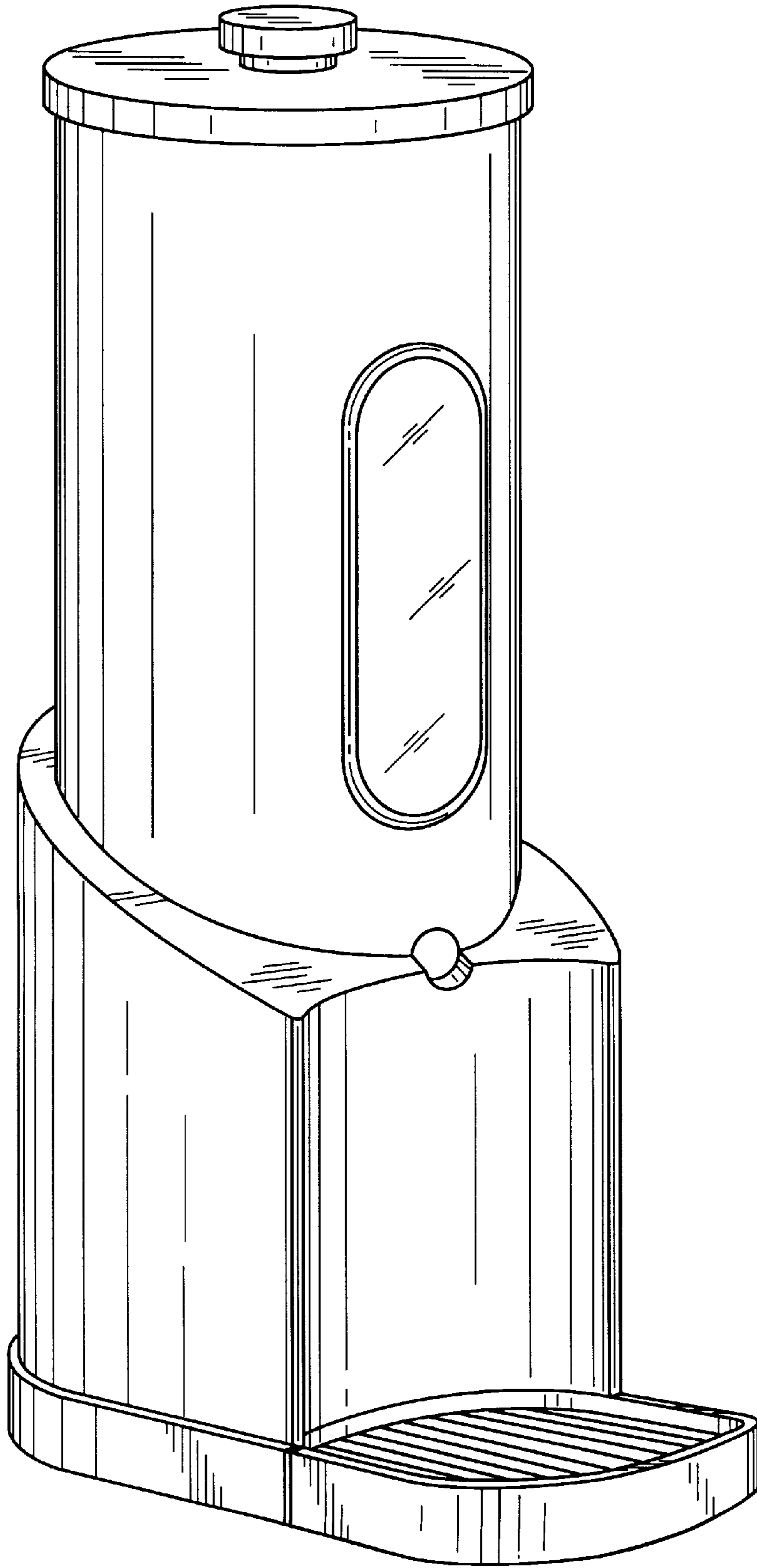
The ornamental design for a beverage dispenser, as shown and described.

**DESCRIPTION**

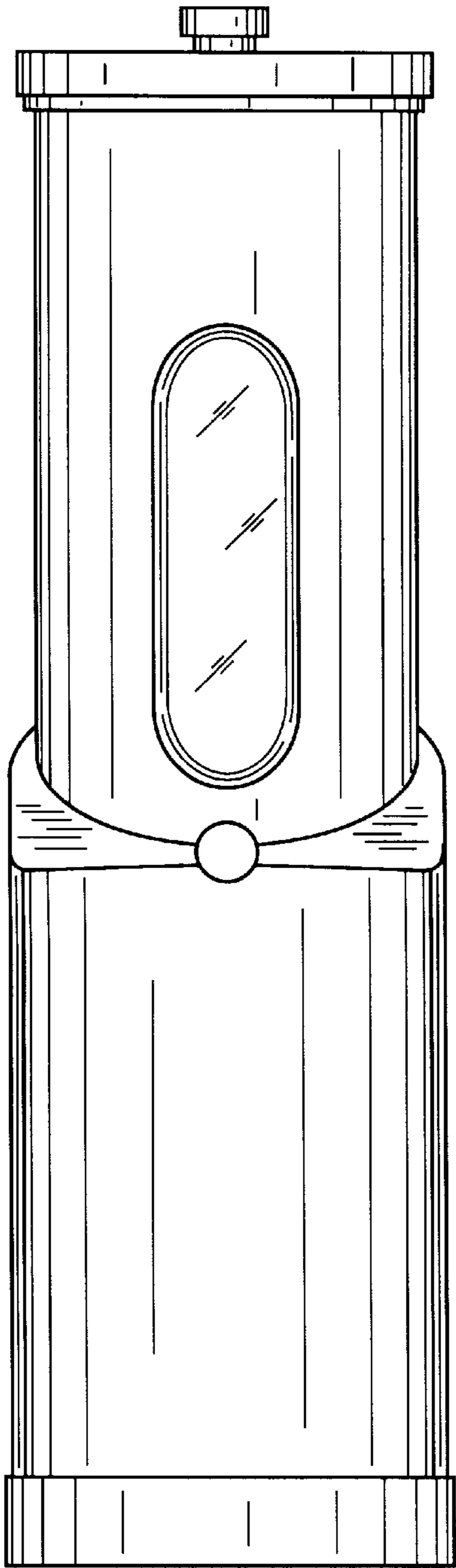
FIG. 1 is a perspective view of a beverage dispenser showing our new design;  
FIG. 2 is a front elevational view thereof;  
FIG. 3 is a rear elevational view thereof;  
FIG. 4 is a left side elevational view thereof;  
FIG. 5 is a top plan view thereof;  
FIG. 6 is a bottom plan view thereof; and,  
FIG. 7 is a perspective view similar to FIG. 1 with a mounted dispenser valve.  
The right side elevational view thereof has been omitted because this view is a mirror image of FIG. 4.

**1 Claim, 5 Drawing Sheets**

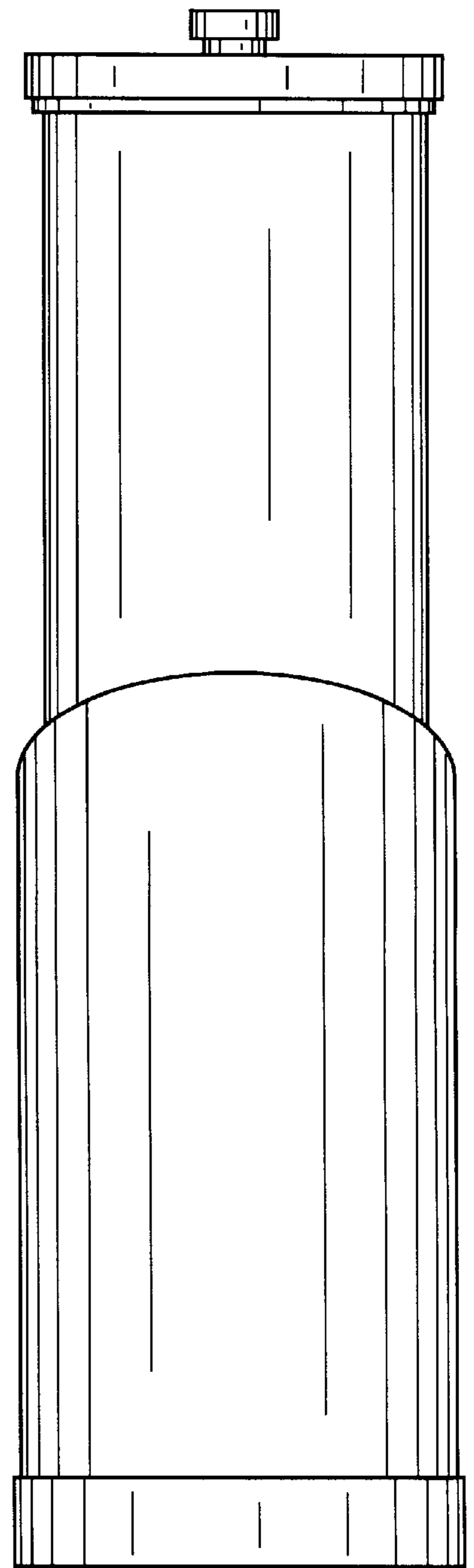




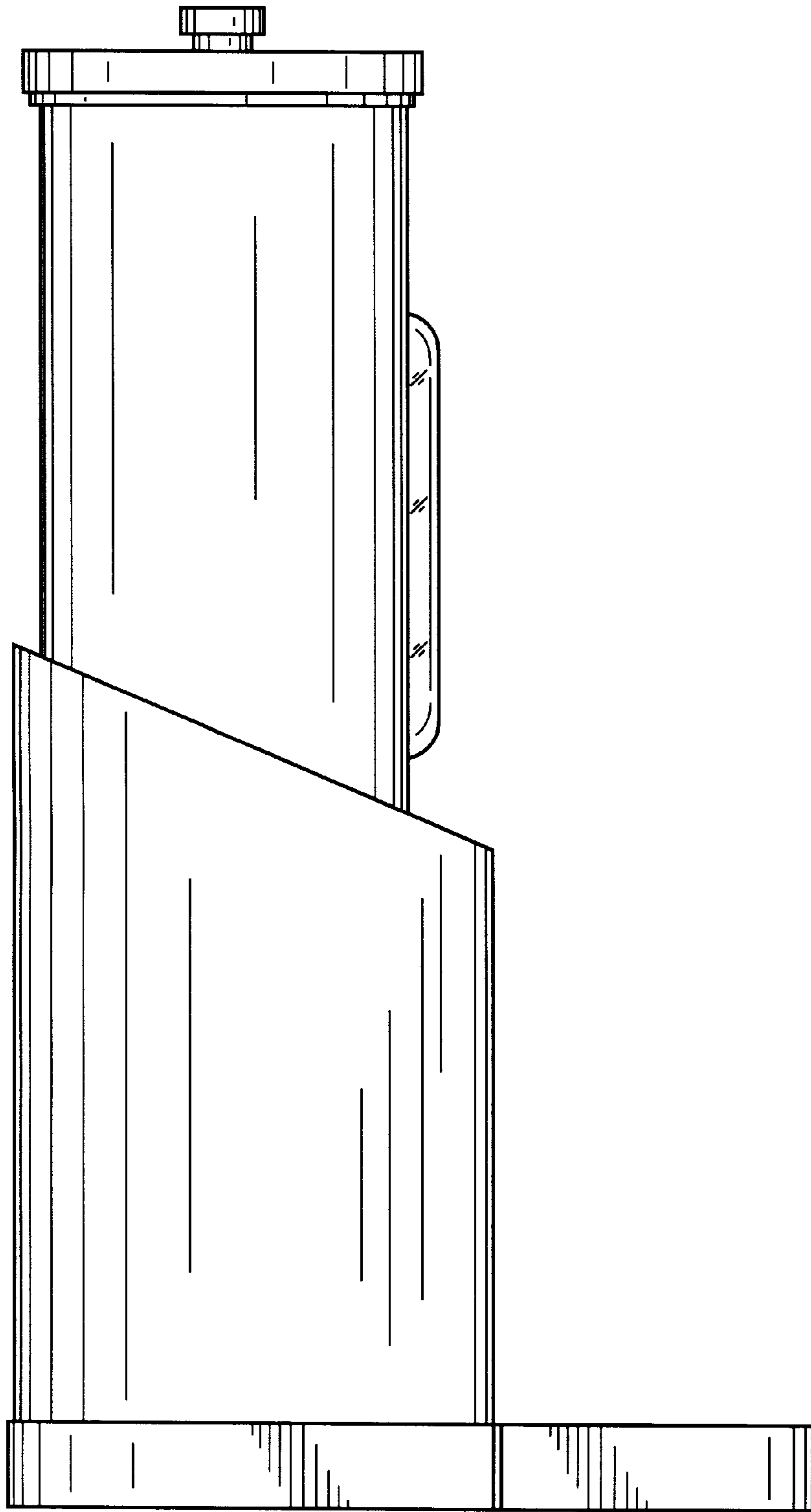
**FIG. 1**



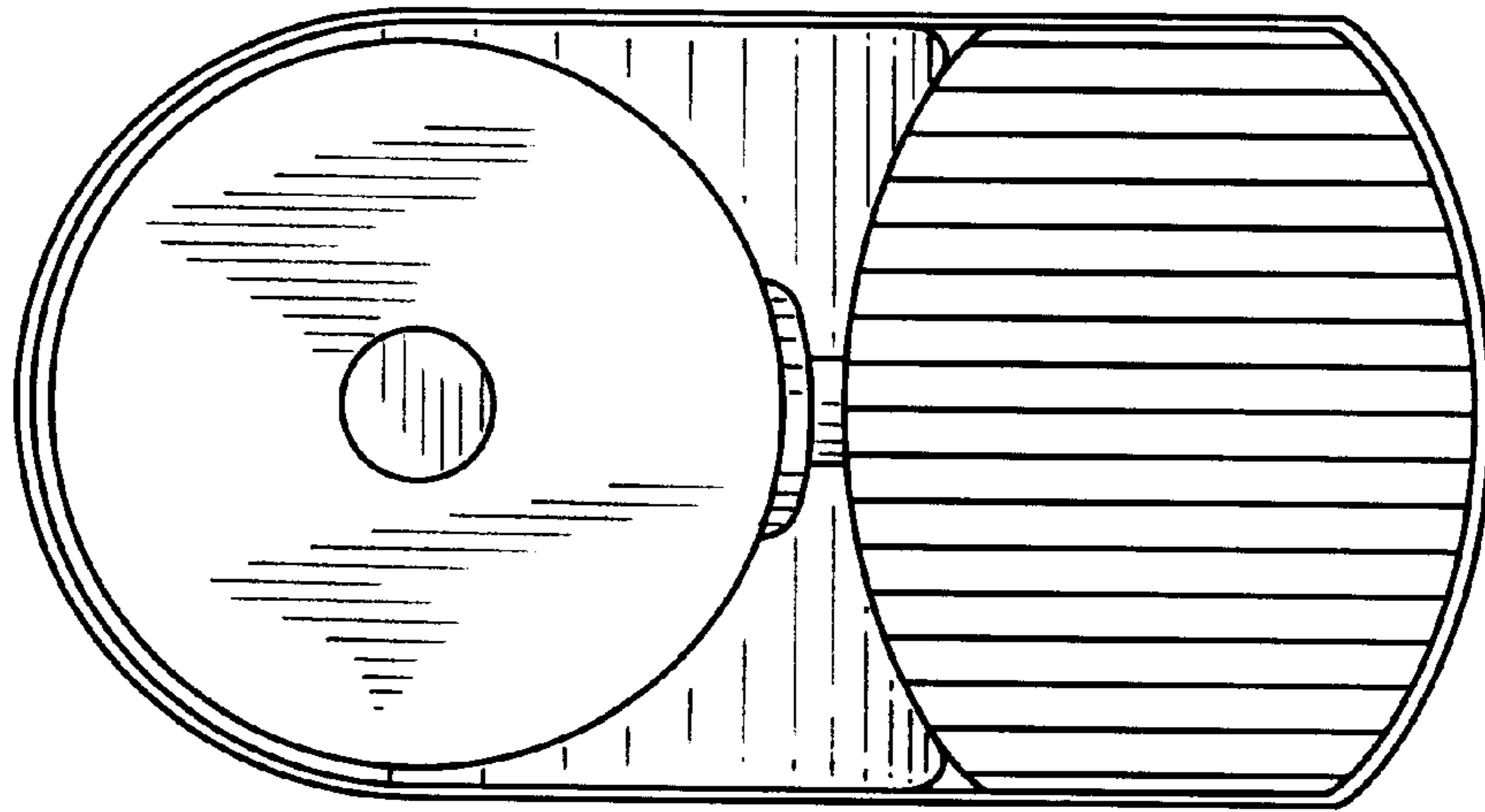
**FIG. 2**



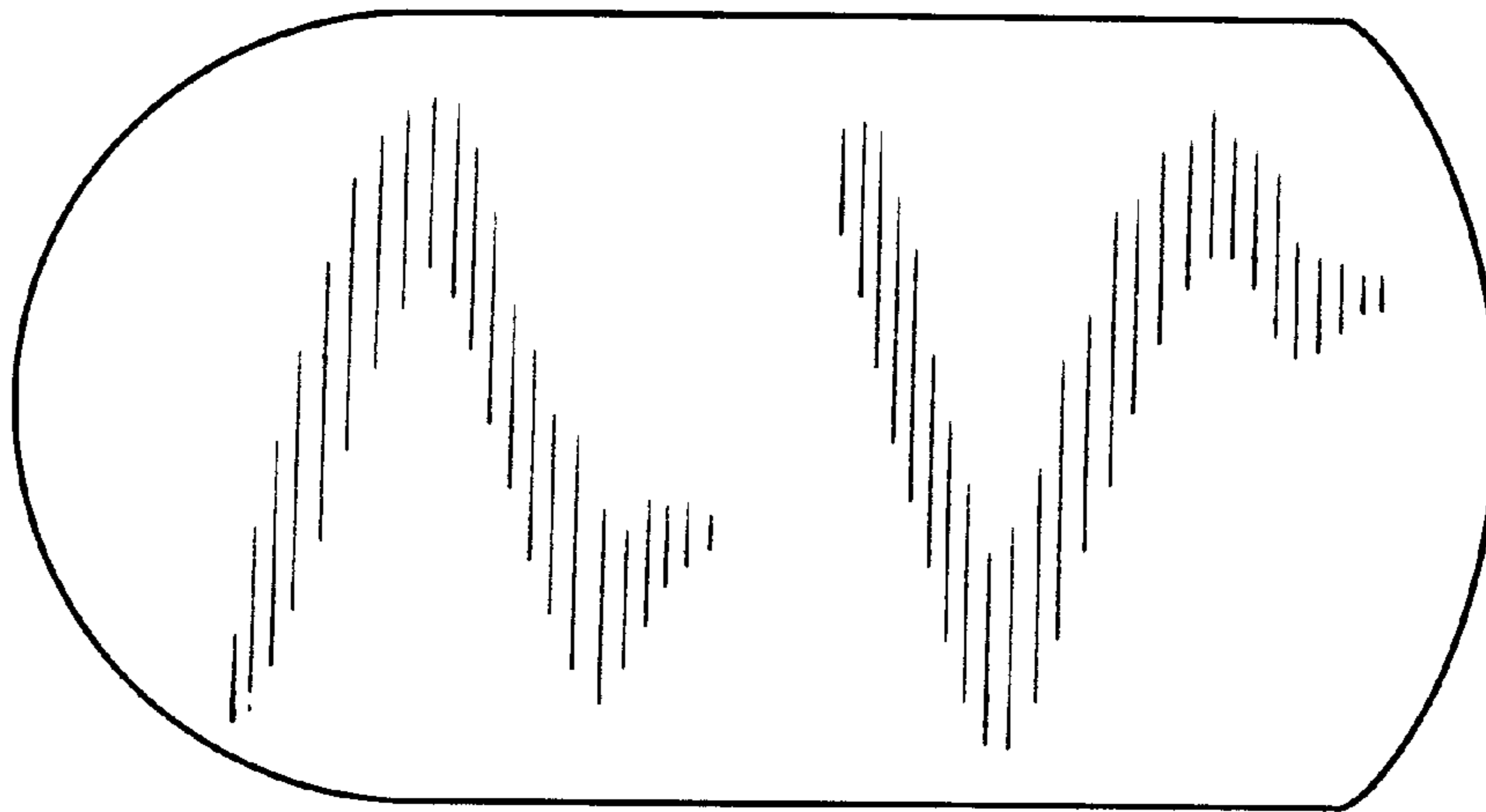
**FIG. 3**



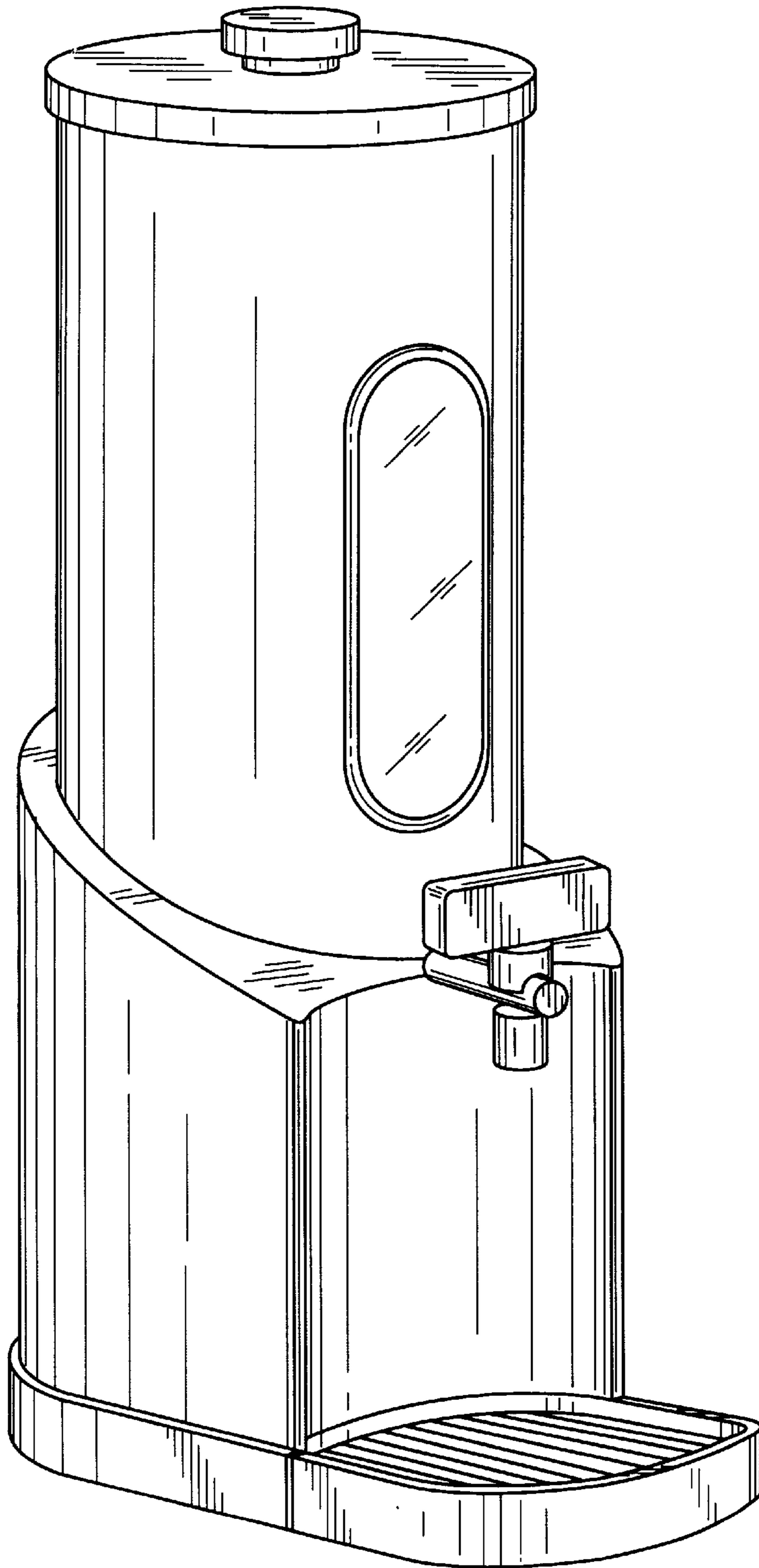
**FIG. 4**



**FIG. 5**



**FIG. 6**



**FIG. 7**