



US00D431144S

United States Patent [19]
Goff et al.

[11] **Patent Number: Des. 431,144**

[45] **Date of Patent: ** Sep. 26, 2000**

[54] **STEREO STAND**

[76] Inventors: **Thomas Hugh Goff; Jeffrey Wayne Kaylor**, both of P.O. Box 130, Conover, N.C. 28613

[**] Term: **14 Years**

[21] Appl. No.: **29/113,645**

[22] Filed: **Nov. 9, 1999**

[51] **LOC (7) Cl.** **06-04**

[52] **U.S. Cl.** **D6/630; D6/465; D6/474**

[58] **Field of Search** D6/407, 626-630, D6/462-468, 450, 457, 473-476, 556-567, 570-572, 461, 553, 474, 477-179; 312/9.1-9.64; D19/90; D32/55, 58; 211/40, 41.1, 41.2, 41.3, 41.4, 42, 41.12, 44, 41.18, 48, 181.1; 206/307.1, 307, 308.1, 445, 387.15, 454, 387.1, 425

[56] **References Cited**

U.S. PATENT DOCUMENTS

Re. 35,761	4/1998	Dardashti	211/40
D. 052,778	12/1918	Bosworth	D6/461
D. 133,436	8/1942	Gunder	D6/474
D. 171,677	3/1954	Adler	211/40 X
D. 174,647	5/1955	Maslow	D6/464

D. 176,633	1/1956	Ross	D6/407
D. 262,076	12/1981	Pracon	D6/407
D. 295,705	5/1988	Cornelius	D6/479
D. 295,931	5/1988	Bezzarides	D6/463
D. 306,942	4/1990	Patke	D6/463
D. 318,280	7/1991	Sumrell et al.	D14/224
D. 342,172	12/1993	Schonhofen	D6/474
D. 381,236	7/1997	Stravitz	D6/630
D. 405,988	2/1999	Wohlford	D6/474
D. 407,244	3/1999	Wohlford	D6/474
D. 415,632	10/1999	Dardashti	D6/474
2,522,748	9/1950	Claude	108/101

Primary Examiner—Jeffrey Asch
Attorney, Agent, or Firm—Mineo & Whittaker; Malcolm E. Whittaker

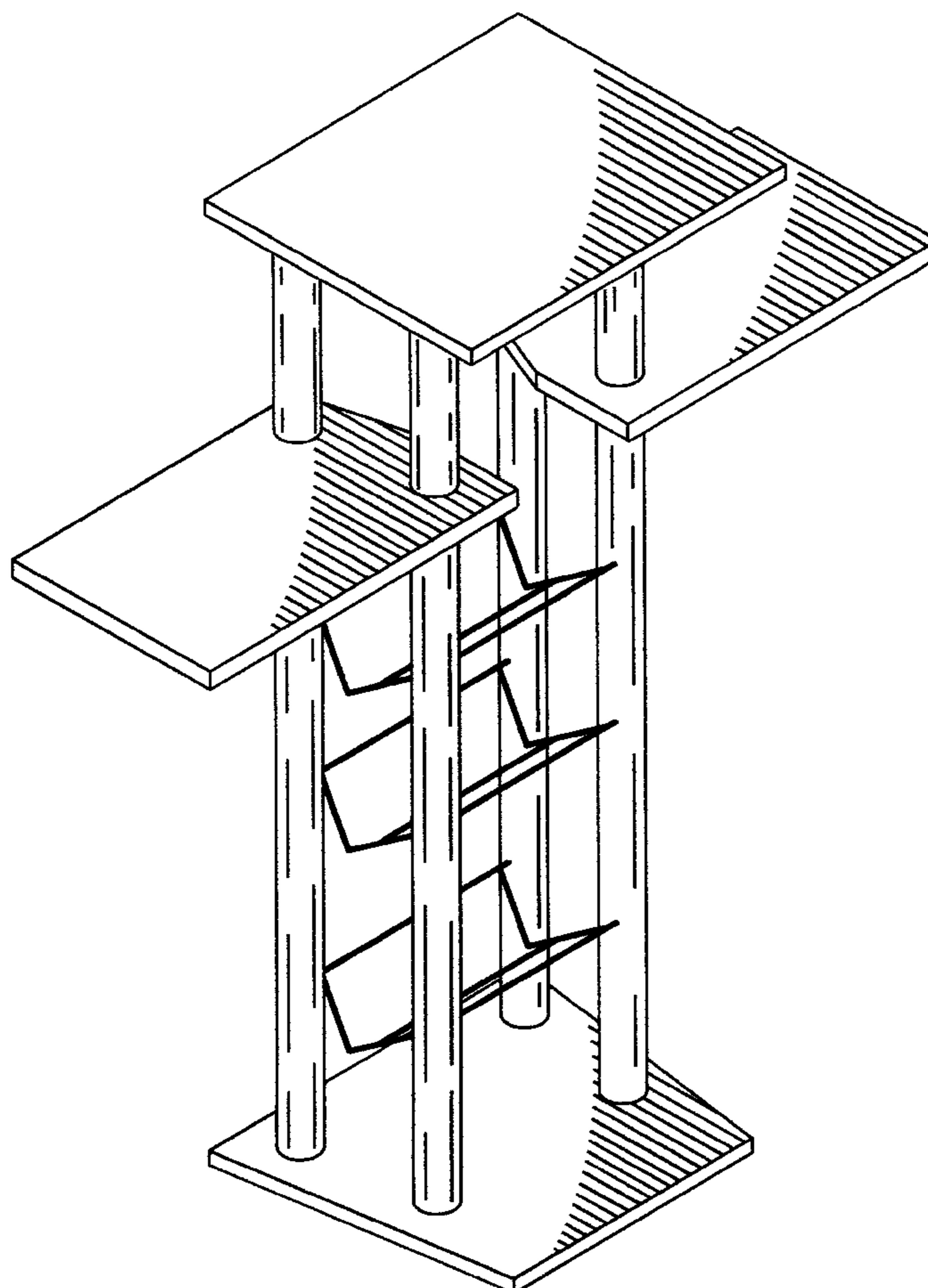
[57] **CLAIM**

The ornamental design for a stereo stand, as shown.

DESCRIPTION

FIG. 1 is an isometric view of the present invention.
FIG. 2 is a top view of the present invention.
FIG. 3 is a left side view of the present invention.
FIG. 4 is a front view of the present invention.
FIG. 5 is a back view of the present invention.
FIG. 6 is a right side view of the present invention; and,
FIG. 7 is a bottom view of the present invention.

1 Claim, 2 Drawing Sheets



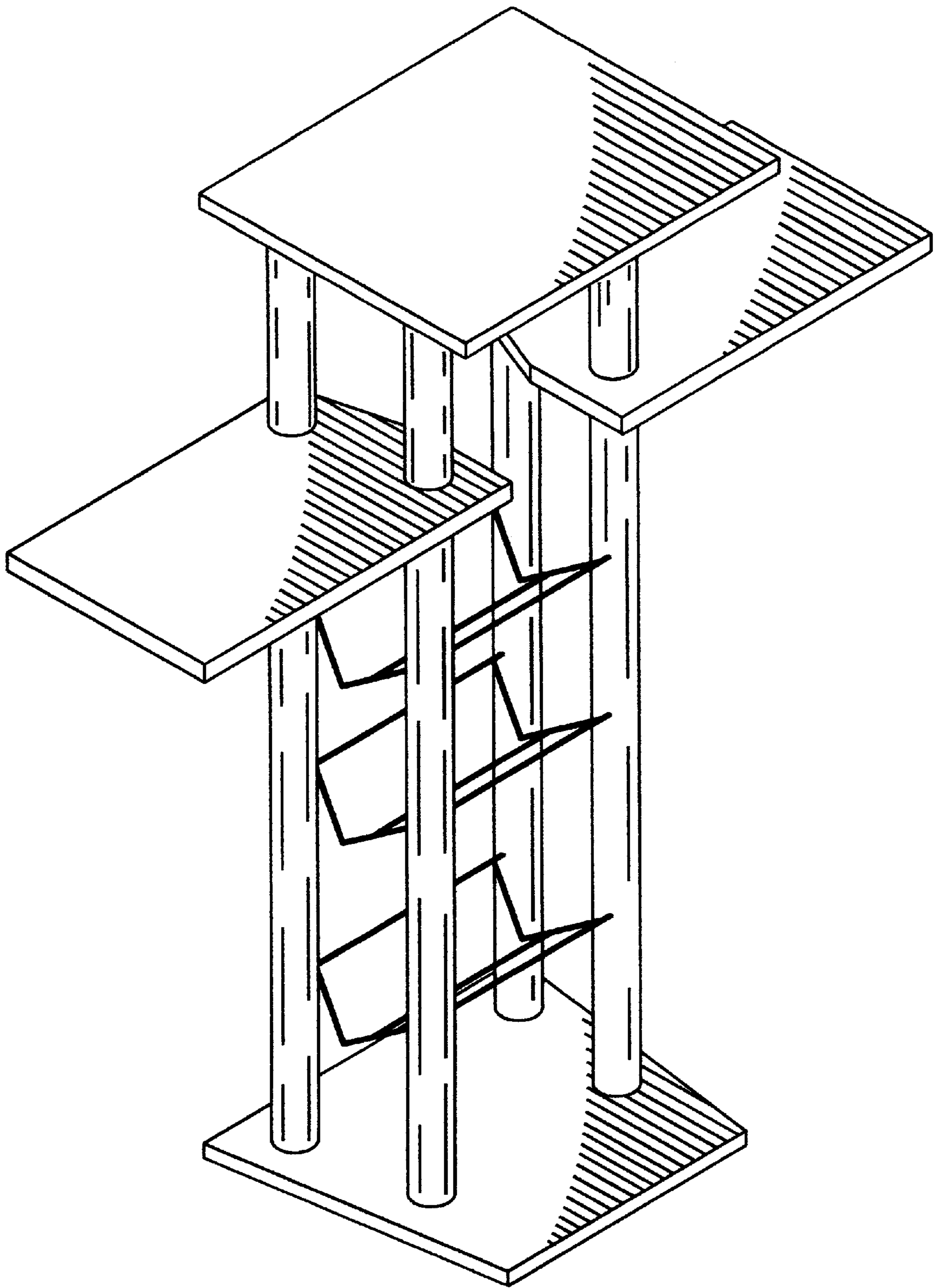


Fig. 1

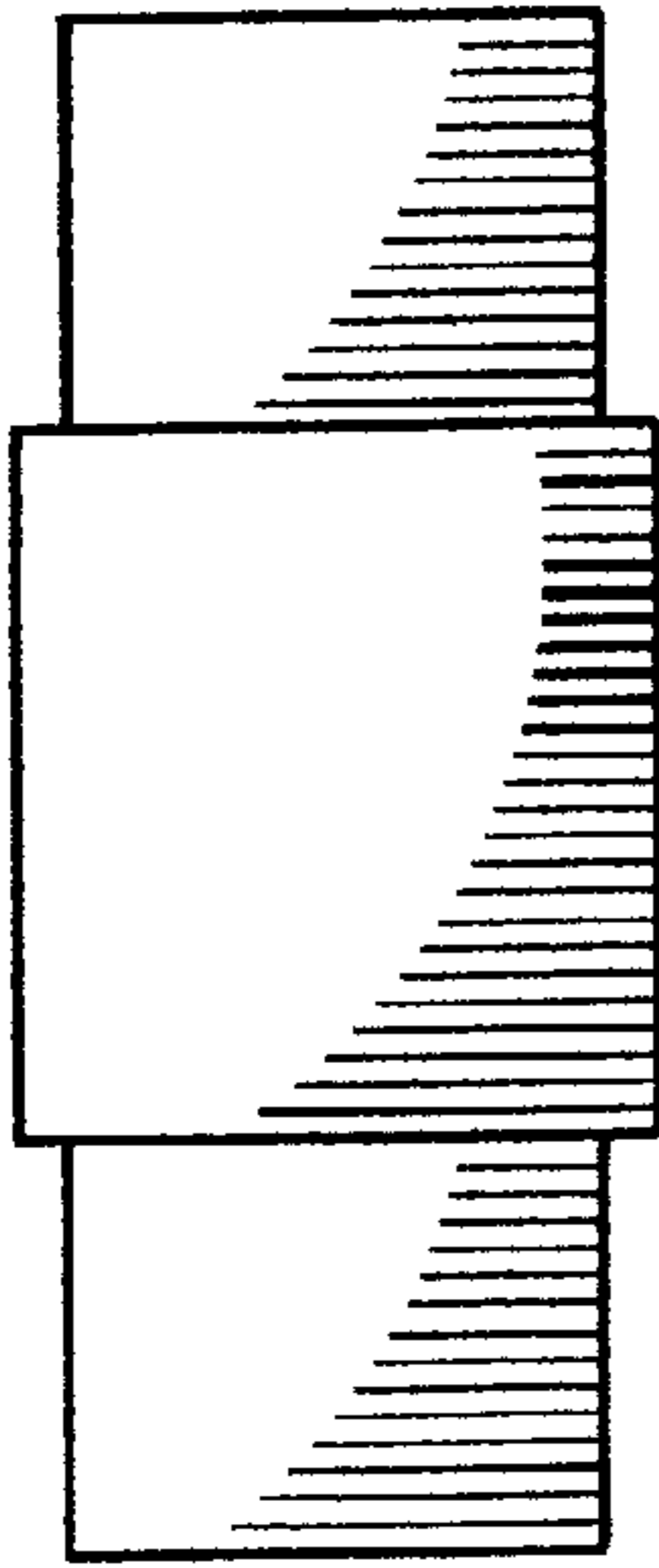


Fig. 2

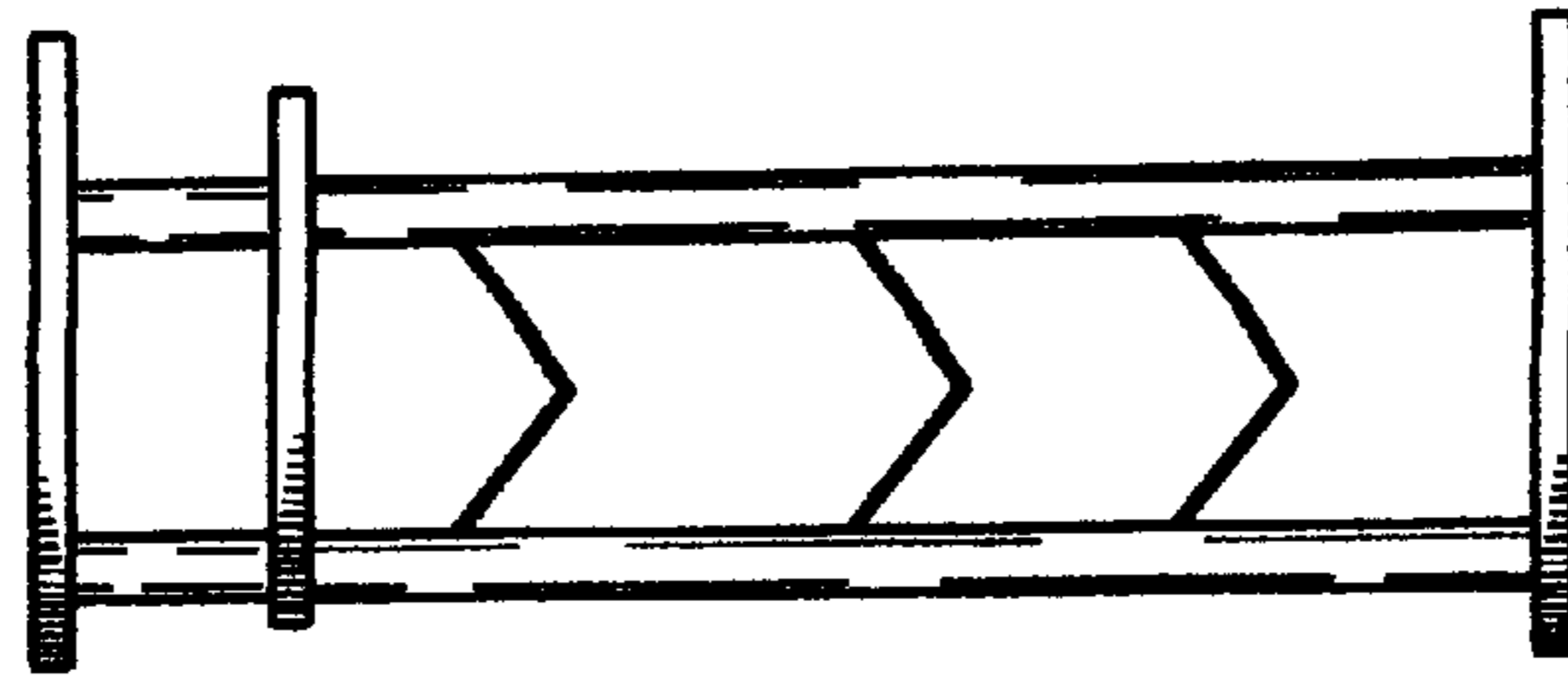


Fig. 3

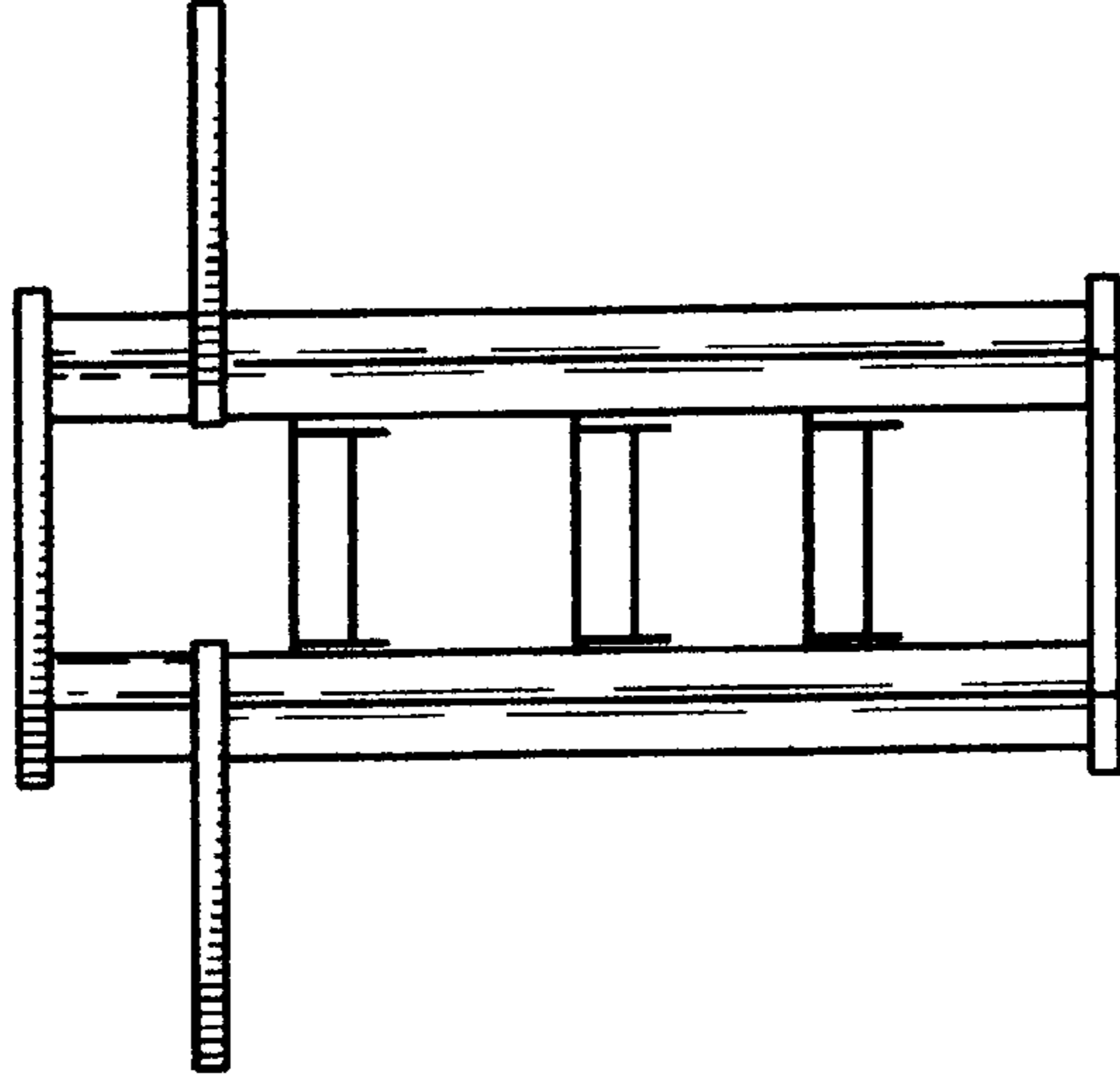


Fig. 4

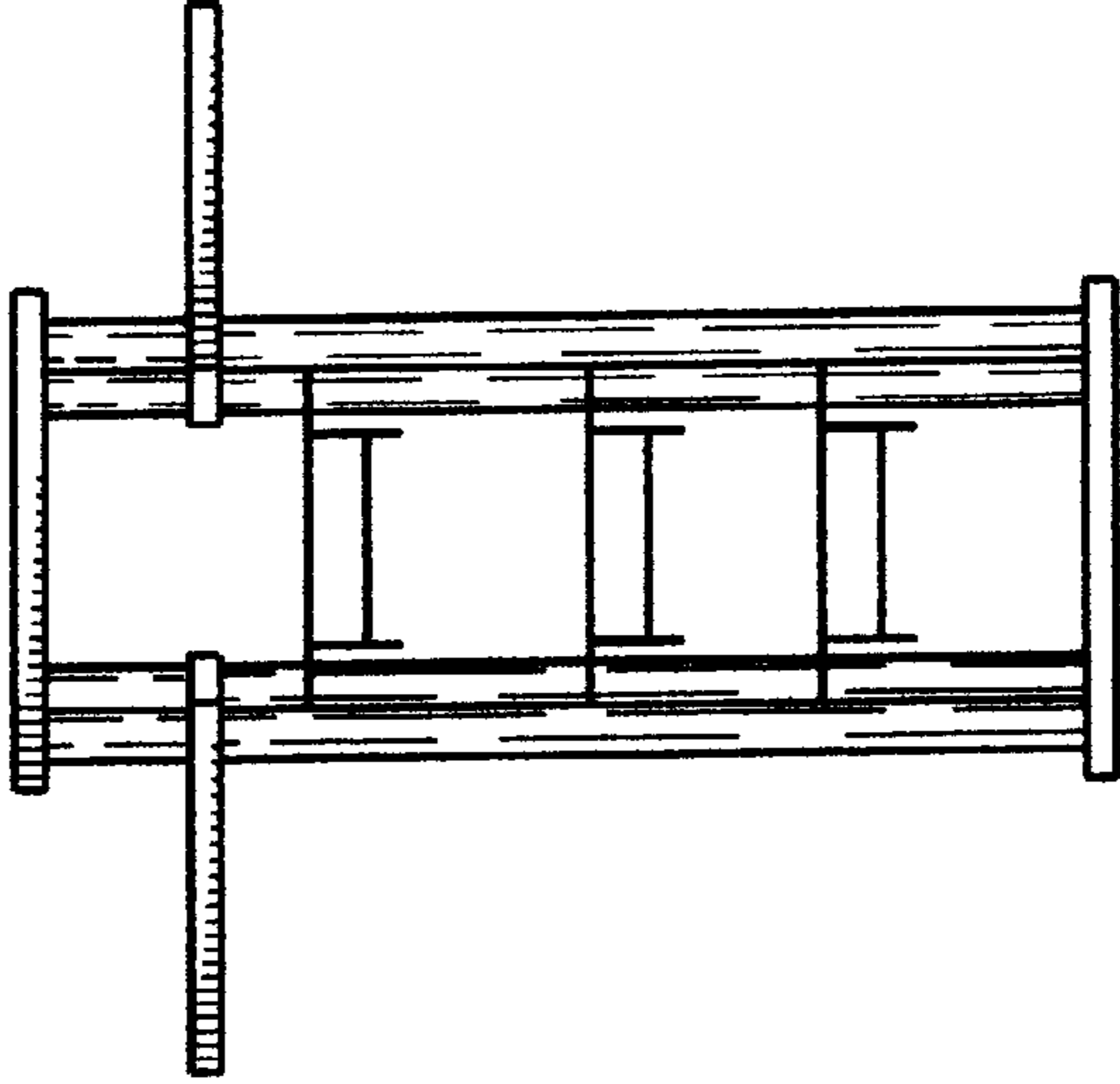


Fig. 5

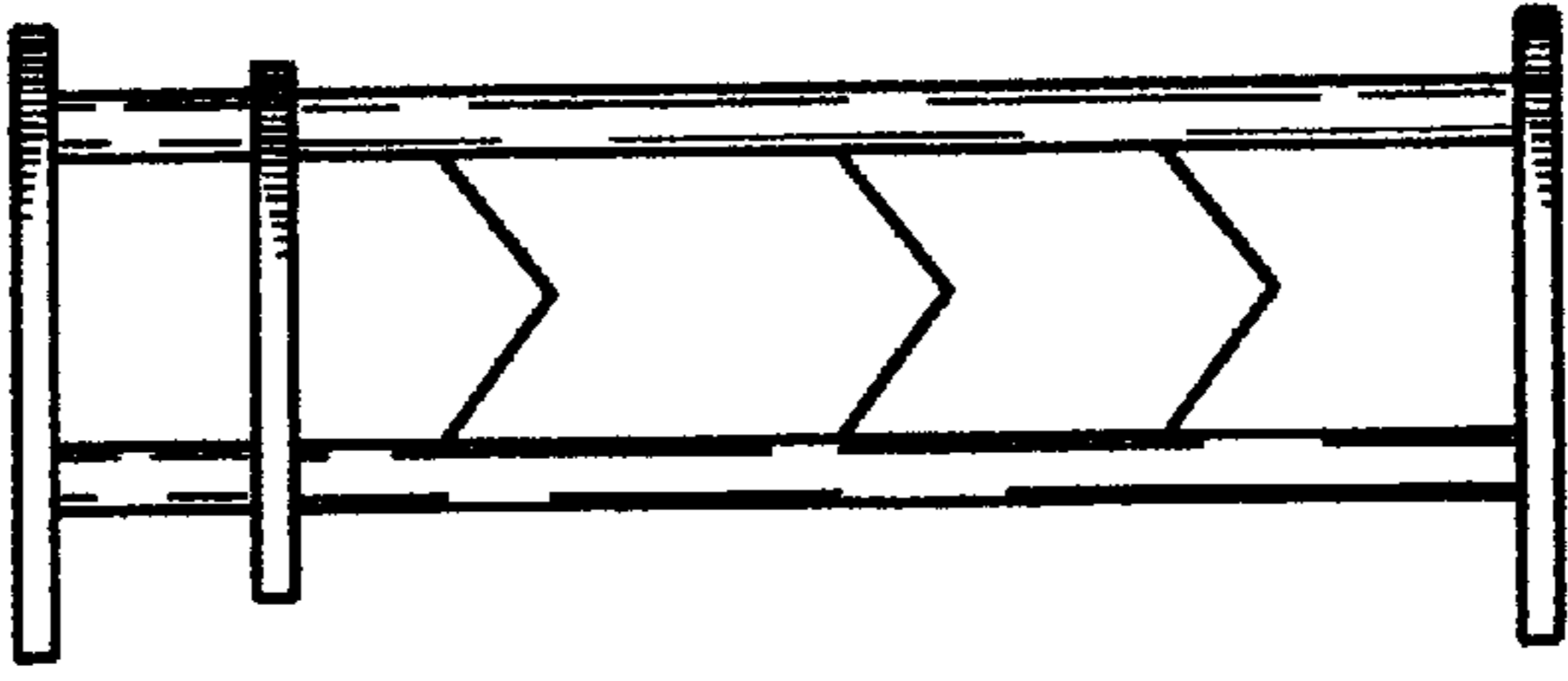


Fig. 6

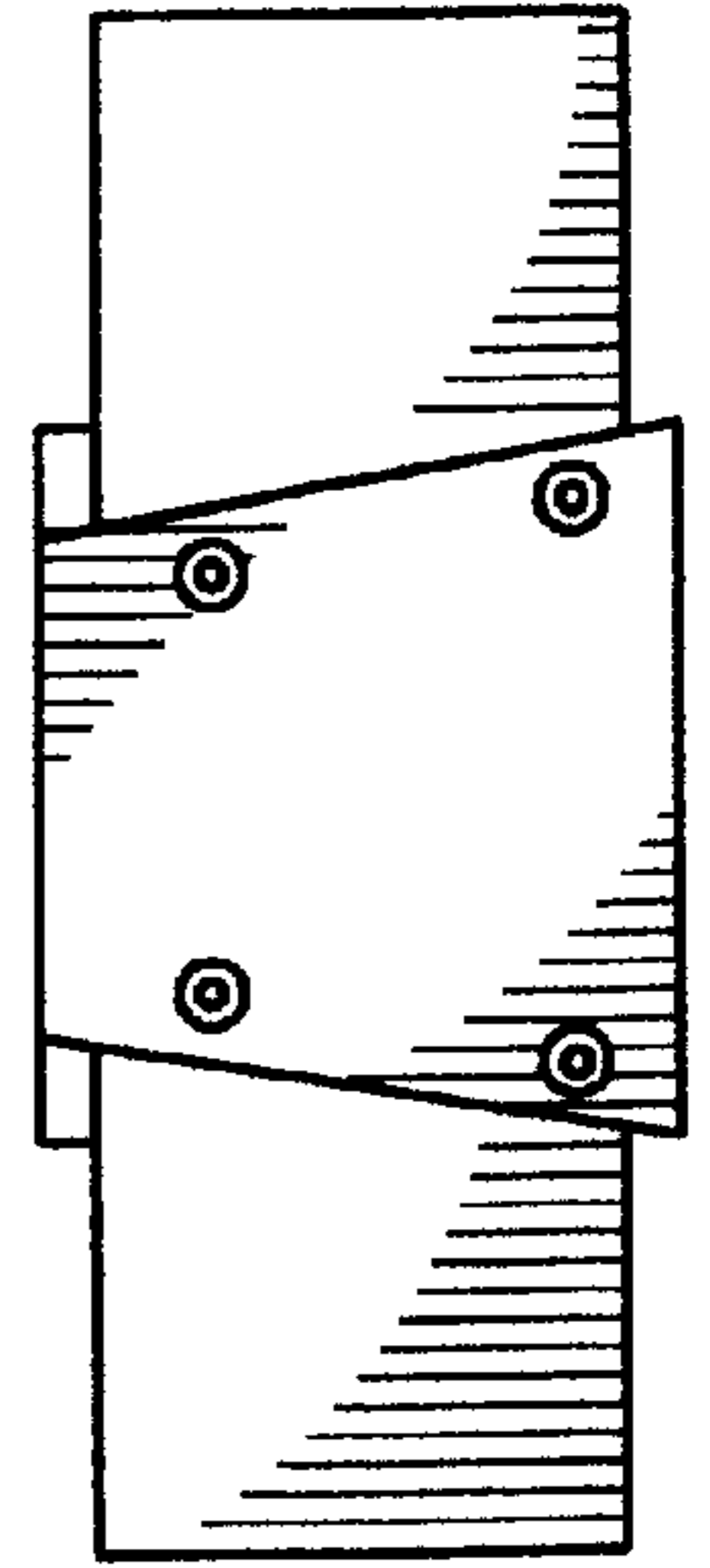


Fig. 7