



US00D431143S

United States Patent [19] Sekelsky

[11] **Patent Number: Des. 431,143**

[45] **Date of Patent: ** Sep. 26, 2000**

[54] **ORTHOPEdic POSITIONING PILLOW**

[76] Inventor: **Daniel Sekelsky**, 4900 Overland Ave., #147, Colver City, La. 90230

[**] Term: **14 Years**

[21] Appl. No.: **29/101,026**

[22] Filed: **Feb. 23, 1999**

[51] **LOC (7) Cl.** **06-09**

[52] **U.S. Cl.** **D6/601**

[58] **Field of Search** D6/595, 596, 601, D6/604; 5/630, 636-637, 639, 640, 644, 652, 653, 654, 655, 655.3, 655.4, 655.5, 655.9, 656, 648

[56] **References Cited**

U.S. PATENT DOCUMENTS

D. 47,140	3/1915	Newkirk	D6/601
D. 91,262	1/1934	Barcalo	D6/601
D. 306,245	2/1990	Akhtarekhavari	D6/601
D. 319,751	9/1991	Hoff	D6/601
D. 332,663	1/1993	Liszewski	D24/190
D. 345,668	4/1994	Braly	D6/601

D. 394,977	6/1998	Frydman	D6/601
1,468,268	9/1923	Karr	D6/601
4,736,477	4/1988	Moore	5/443
4,889,109	12/1989	Gifford	128/80
5,269,322	12/1993	Mandel	128/845
5,418,991	5/1995	Shiflett	5/650
5,727,266	3/1998	Pang	5/630
5,829,079	11/1998	Castro	5/636

Primary Examiner—Janice E. Seeger
Attorney, Agent, or Firm—John D. Gugliotta

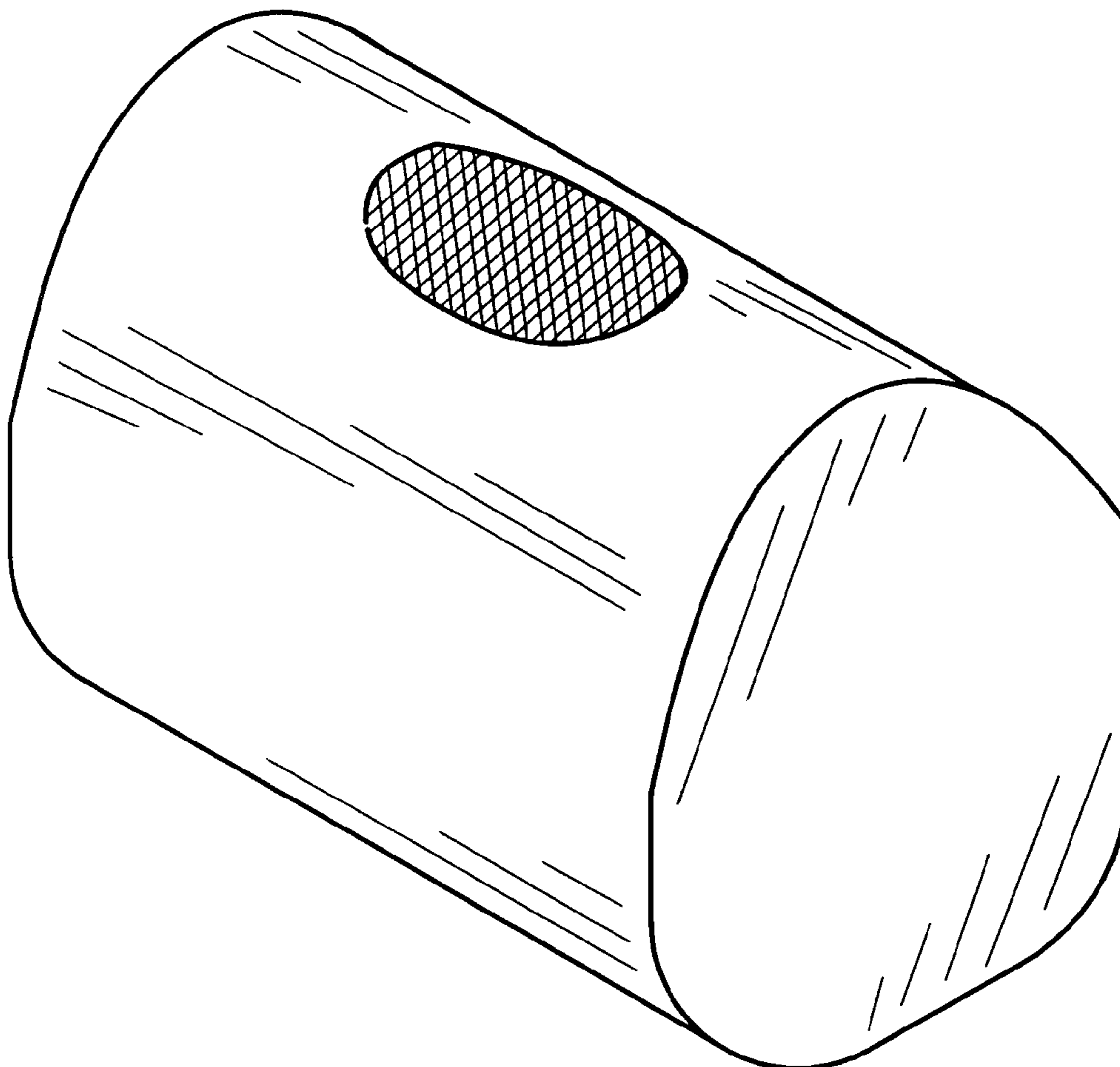
[57] **CLAIM**

The ornamental design for a orthopedic positioning pillow, as shown and described.

DESCRIPTION

FIG. 1 is an elevated front plan view of a orthopedic positioning pillow showing my new design, the opposite side being identical thereto;
FIG. 2 is a side plan view with the opposite side being identical thereto;
FIG. 3 is a front plan view thereof;
FIG. 4 is a top plan view thereof; and,
FIG. 5 is a bottom plan view thereof.

1 Claim, 2 Drawing Sheets



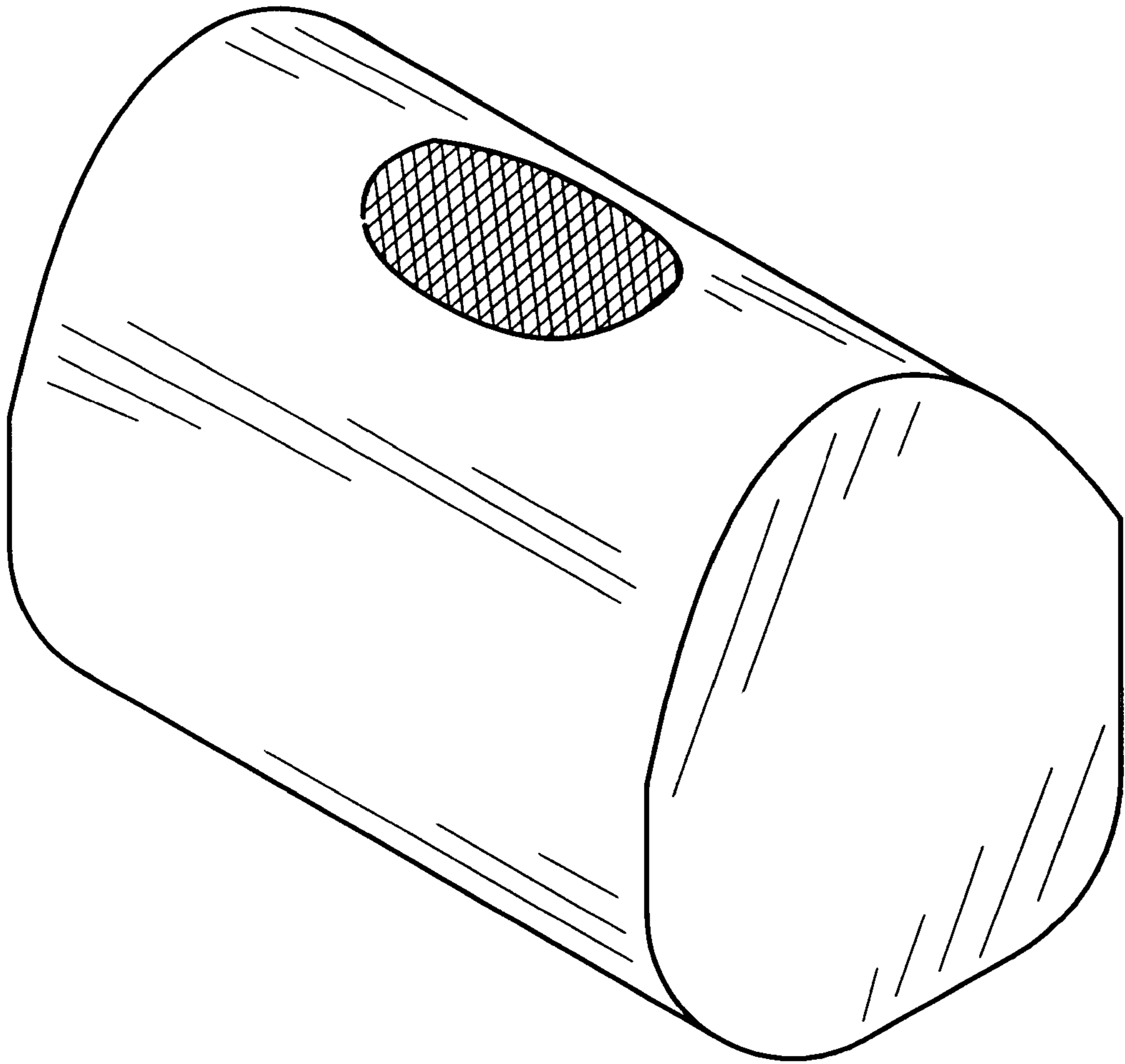


Figure 1

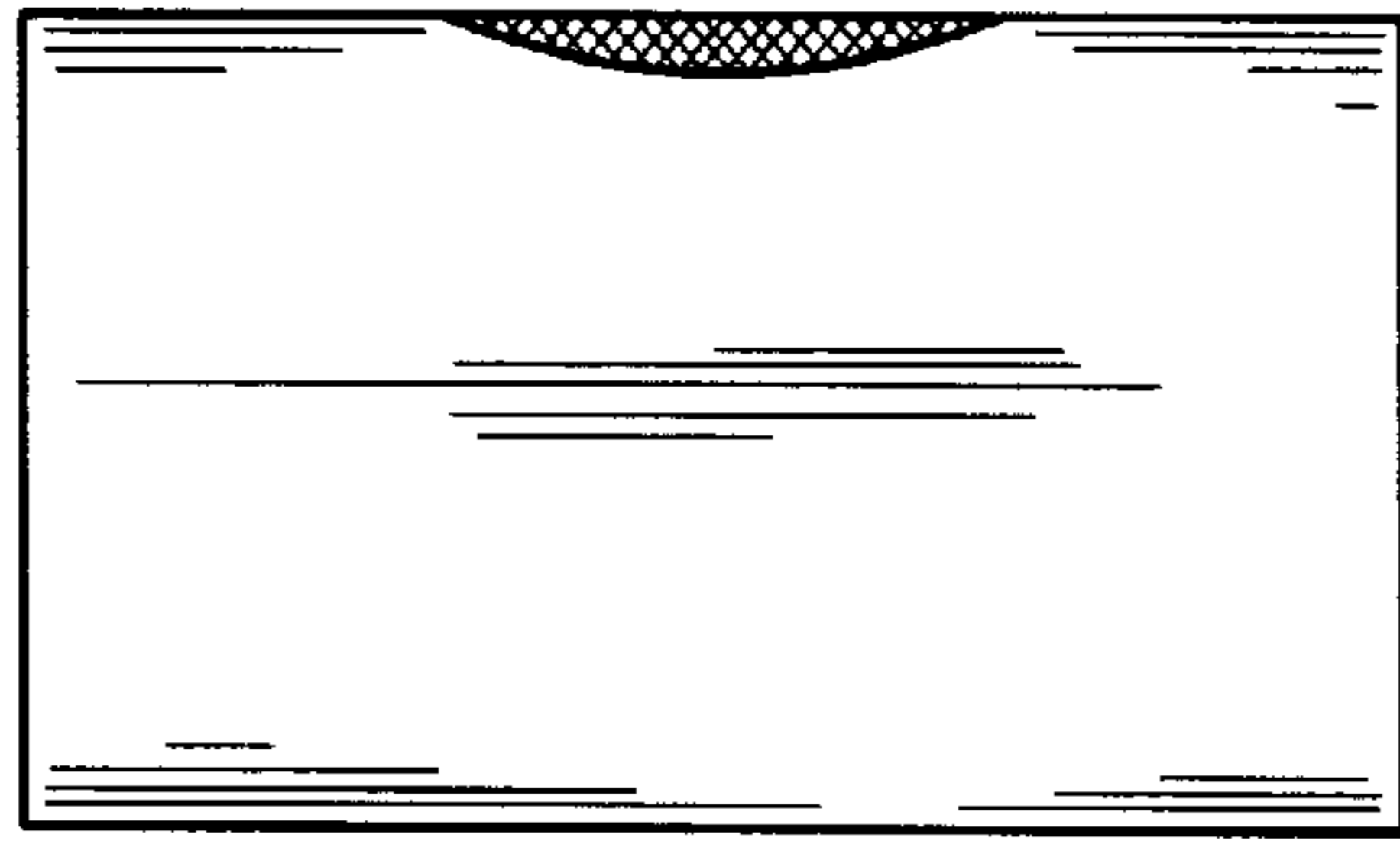


Figure 2

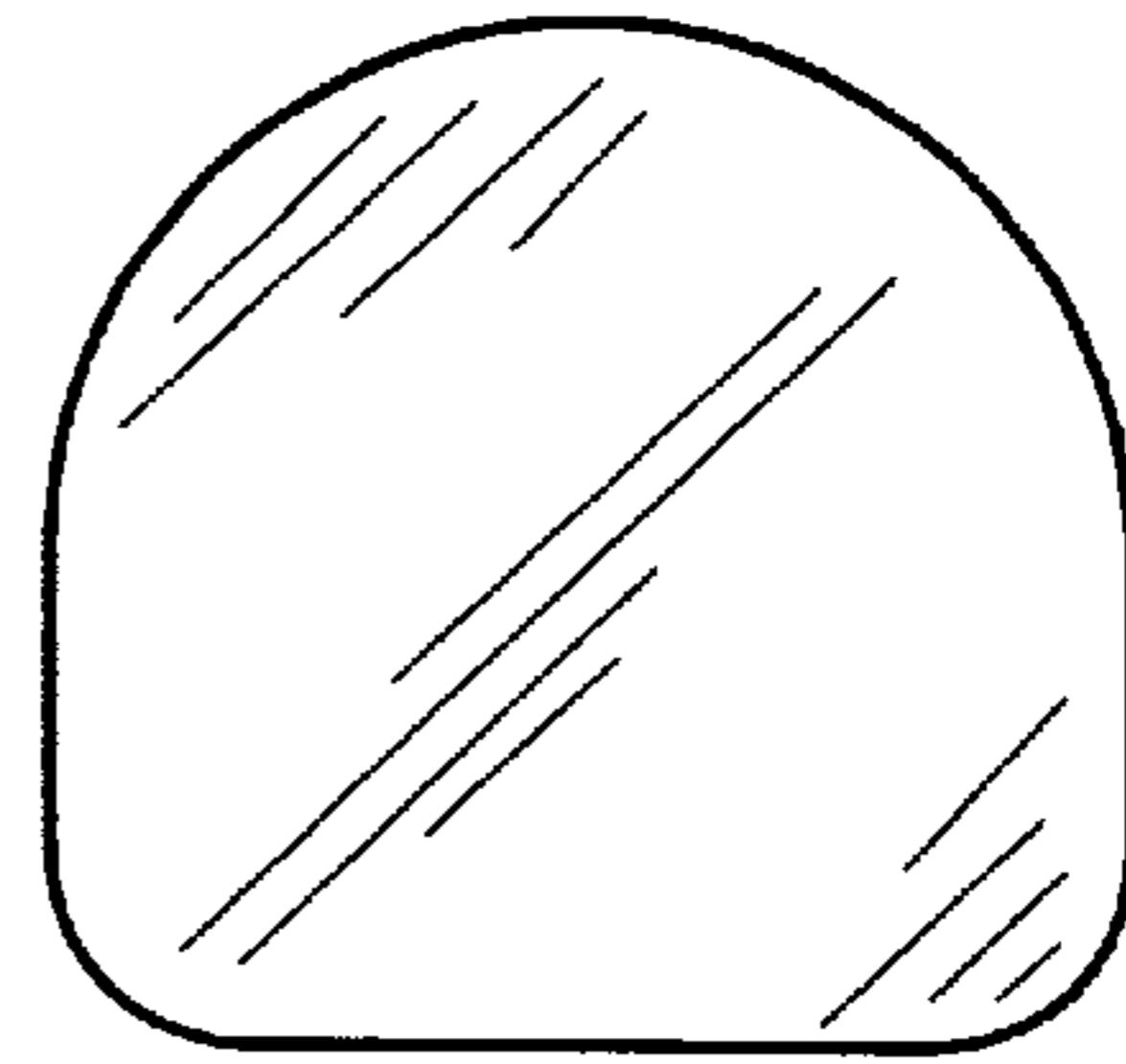


Figure 3

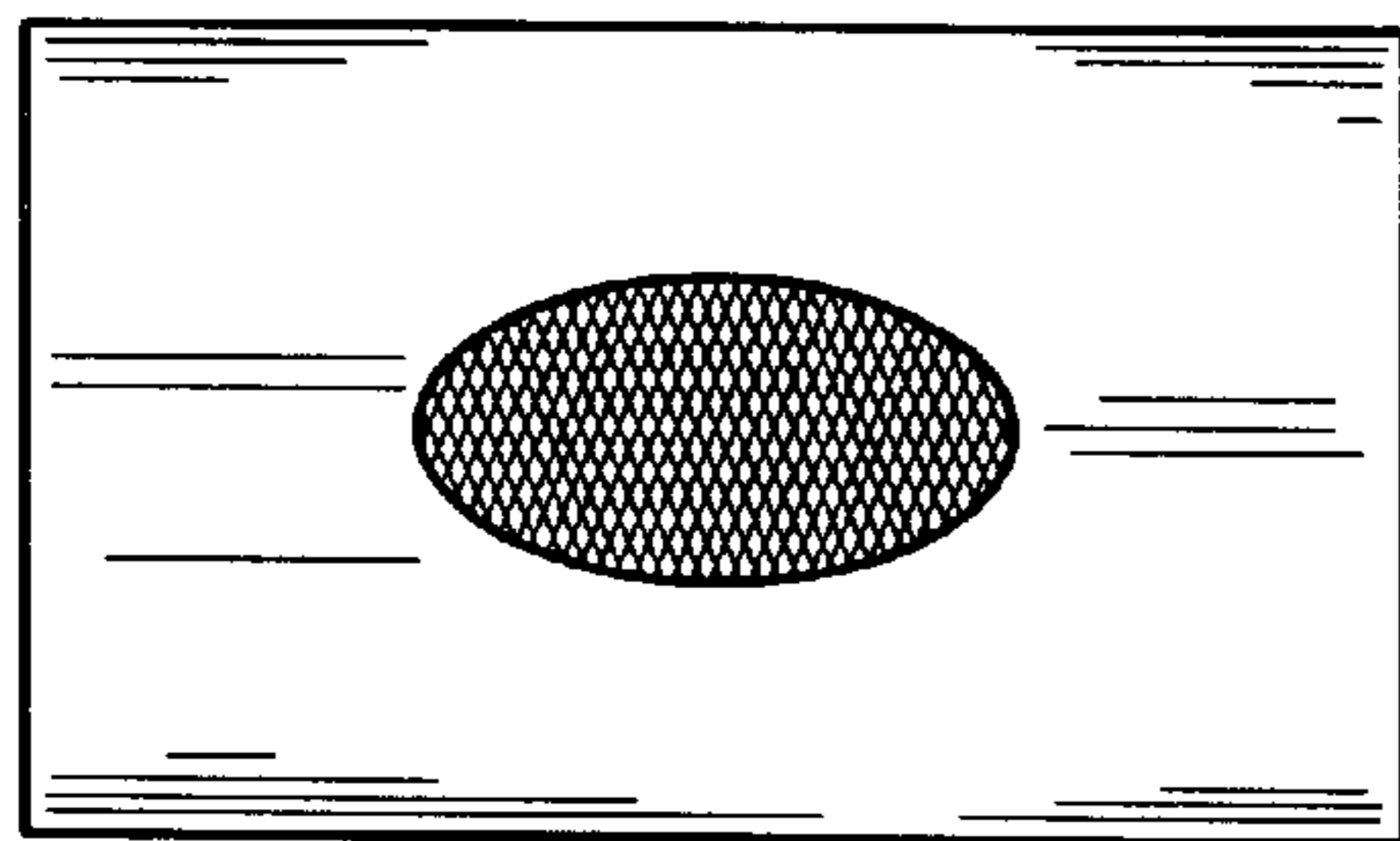


Figure 4

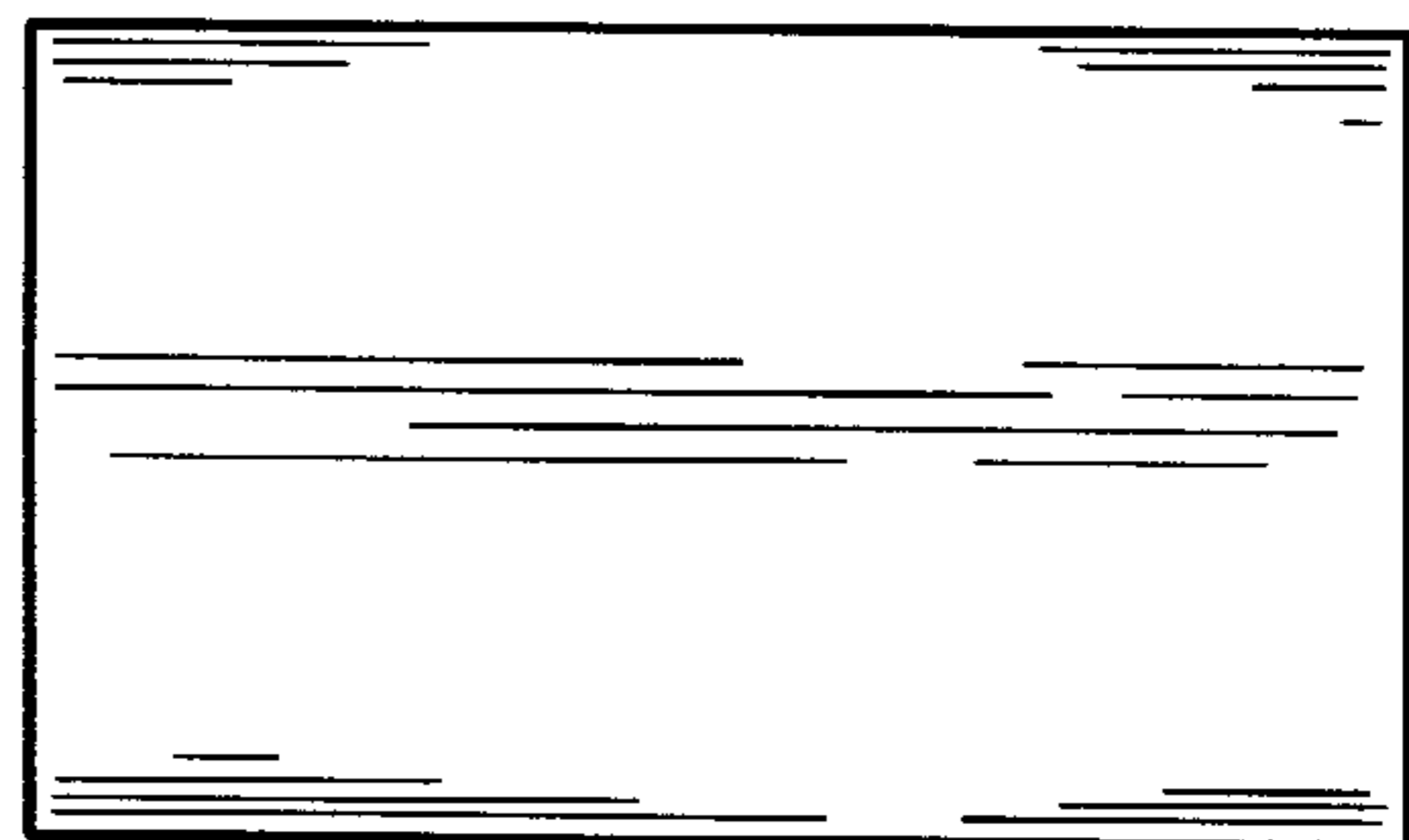


Figure 5