



US00D431140S

United States Patent [19]

[11] **Patent Number: Des. 431,140**

Kuo

[45] **Date of Patent: ** Sep. 26, 2000**

[54] **TOWEL HOLDER**

[76] Inventor: **Kuo-Yung Kuo**, No. 1, Alley 85, Lane 816, Chung-Shan Rd., Shen-Kang Hsiang, Taichung Hsien, Taiwan

[**] Term: **14 Years**

[21] Appl. No.: **29/116,782**

[22] Filed: **Jan. 10, 2000**

[51] **LOC (7) Cl. 06-04**

[52] **U.S. Cl. D6/549**

[58] **Field of Search** D6/546-550, 566, D6/522; 211/13.1, 16, 86-88, 105.1, 181.1; 248/302, 309.1

[56] **References Cited**

U.S. PATENT DOCUMENTS

D. 168,832	2/1953	Eaton	D6/549
D. 262,843	2/1982	Phillips	D6/566
D. 291,639	9/1987	Chap	D6/549
D. 327,598	7/1992	Emery	D6/549
1,325,472	12/1919	Ide	211/181.1 X
4,143,845	3/1979	Harris	248/302 X

Primary Examiner—Brian N. Vinson
Attorney, Agent, or Firm—Skjerven, Morrill, MacPherson, Franklin & Friel LLP; Alan H. MacPherson

[57] **CLAIM**

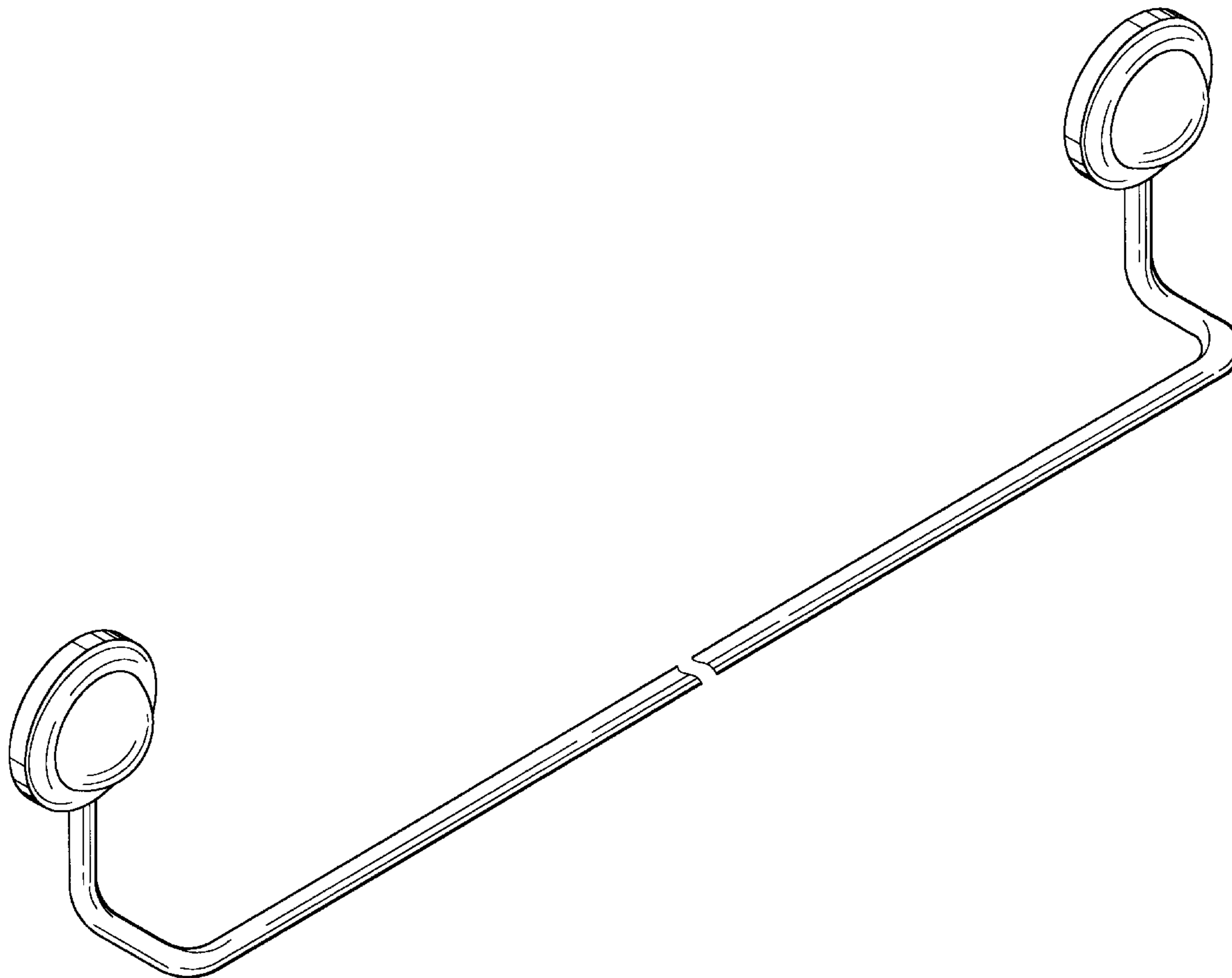
The ornamental design for towel holder, as shown and described.

DESCRIPTION

FIG. 1 is a perspective view of towel holder showing my new design;
FIG. 2 is a front elevational view thereof;
FIG. 3 is a rear elevational view thereof;
FIG. 4 is a left side elevational view thereof;
FIG. 5 is a right side elevational view thereof;
FIG. 6 is a top plan view thereof;
FIG. 7 is a bottom plan view thereof; and,
FIG. 8 is a reduced perspective view thereof, the broken-line disclosure of a towel being for illustrative purposes only and forming no part of the claimed design.

The bar portion is shown broken-away in some view for convenience of illustration.

1 Claim, 5 Drawing Sheets



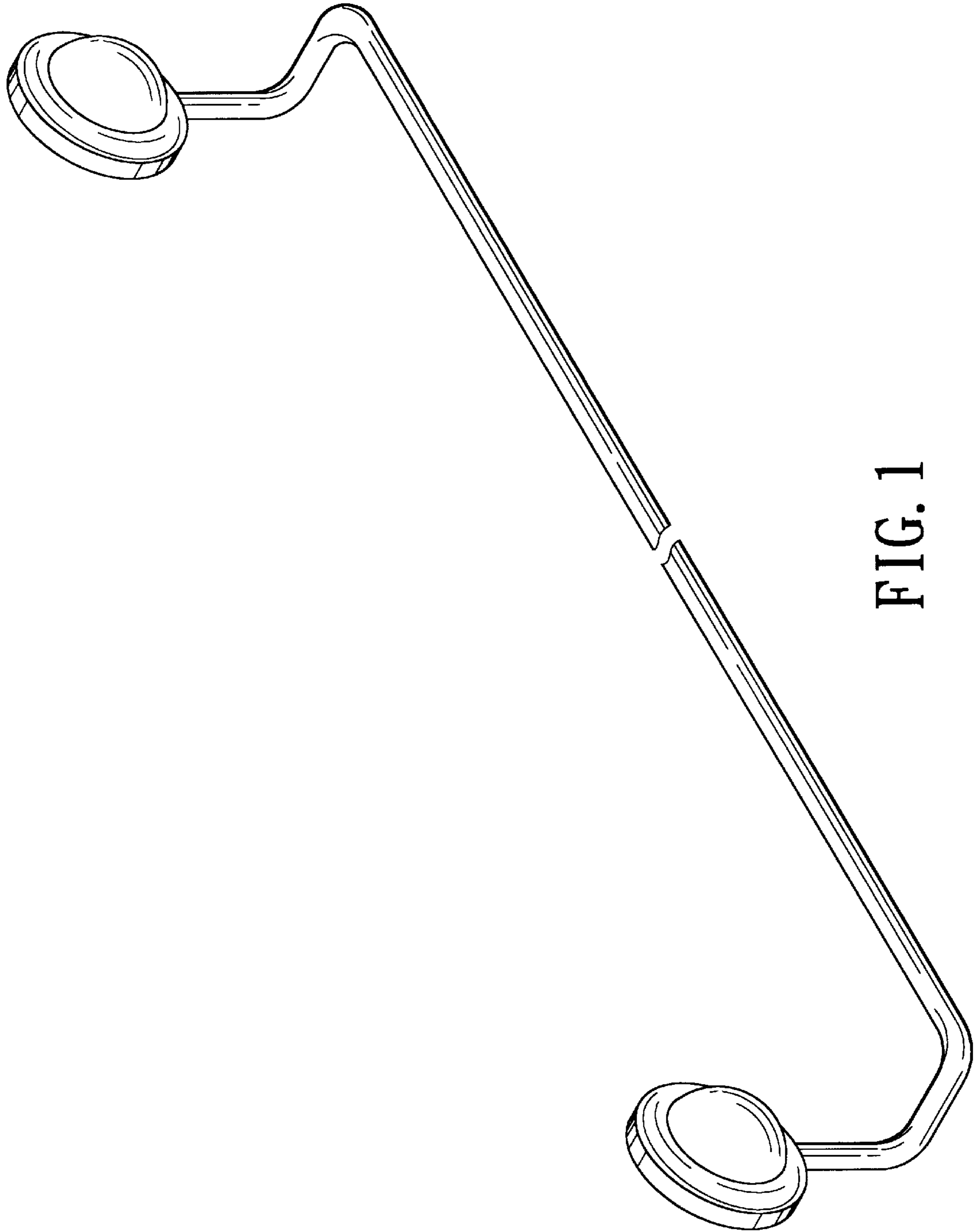


FIG. 1

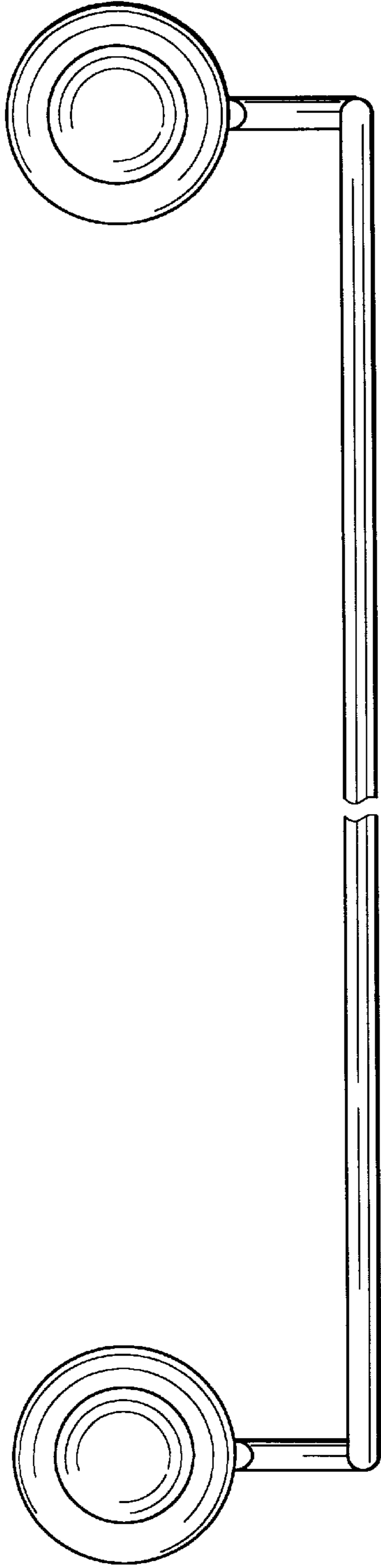


FIG. 2

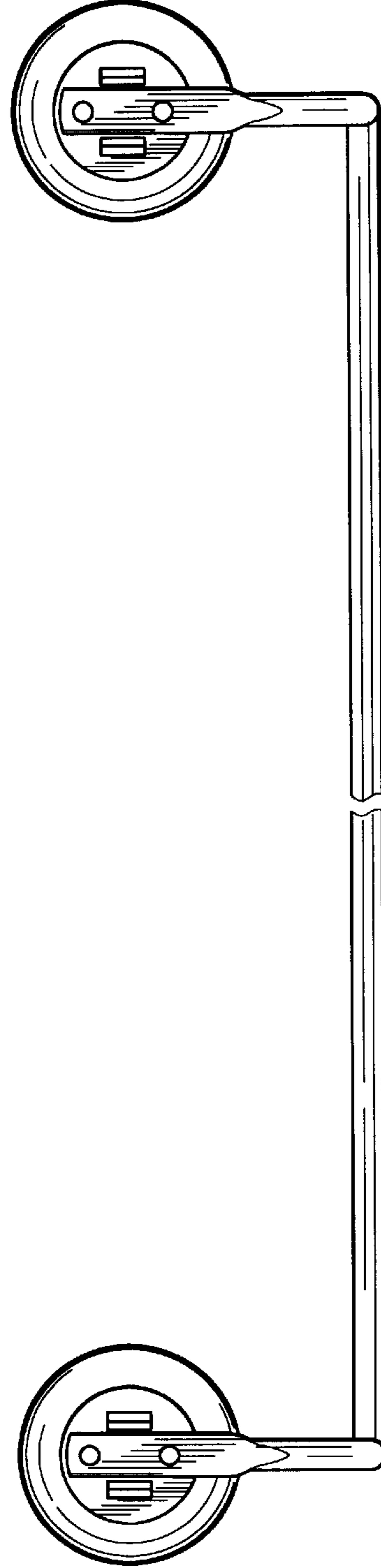


FIG. 3

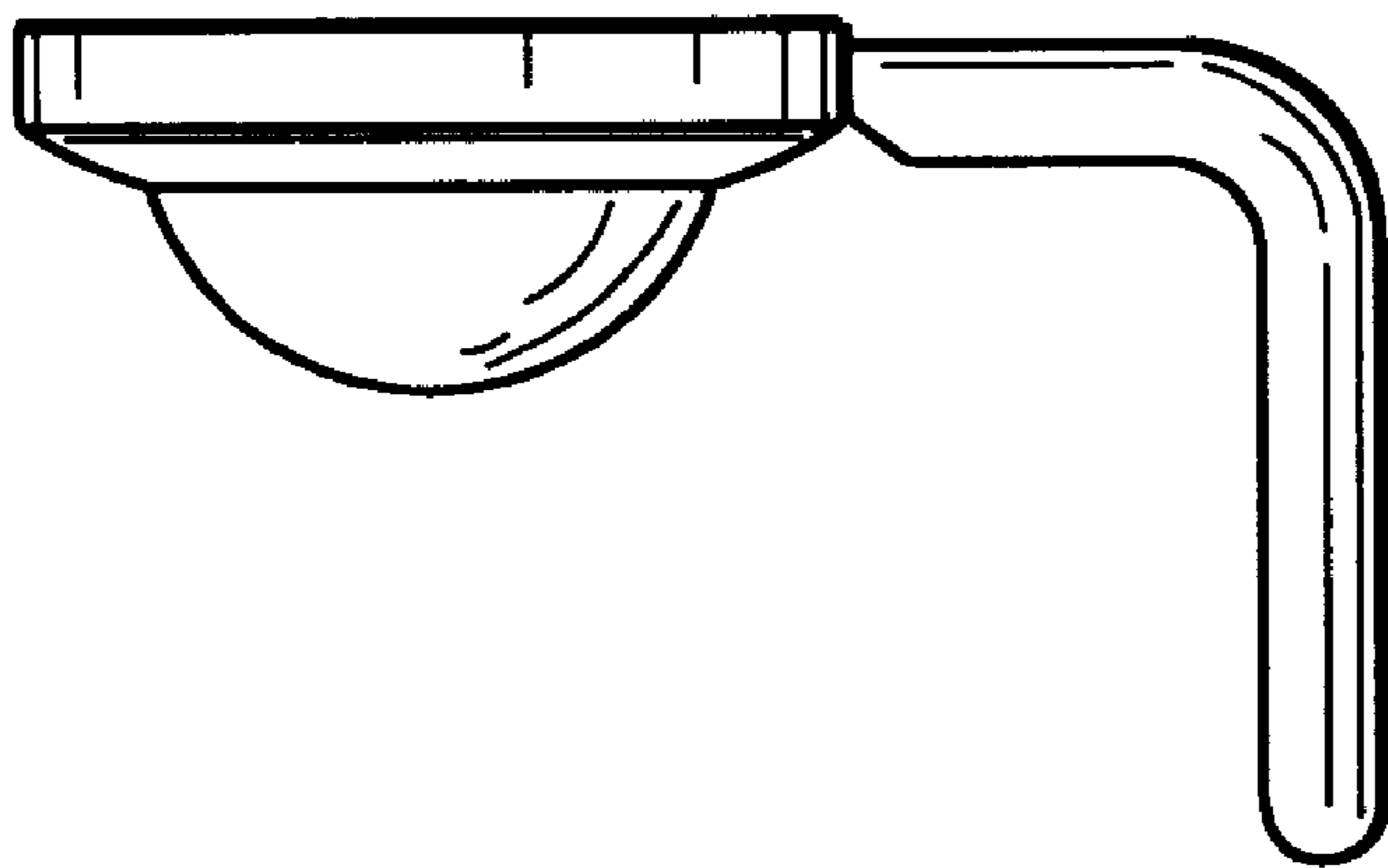


FIG. 5

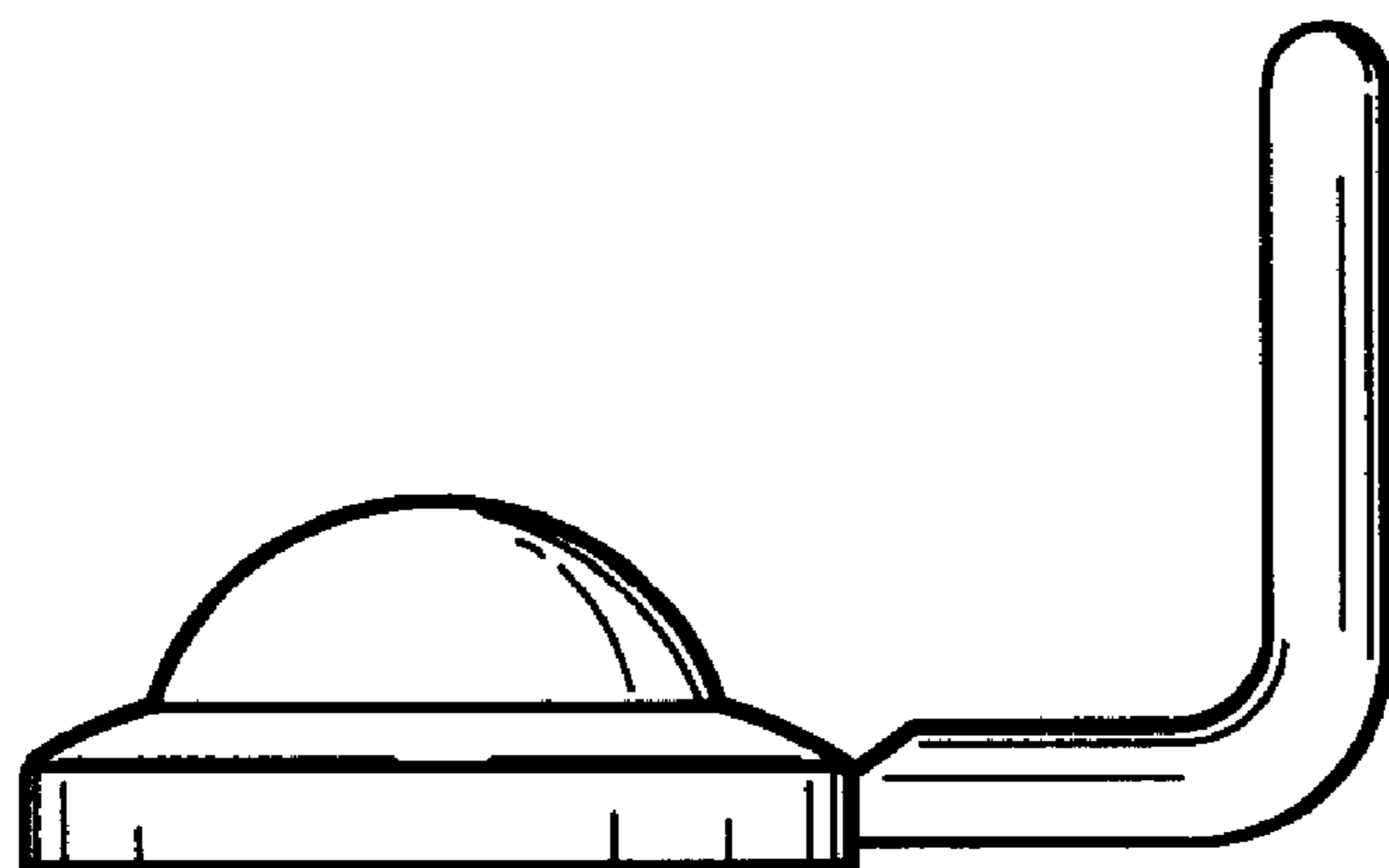


FIG. 4

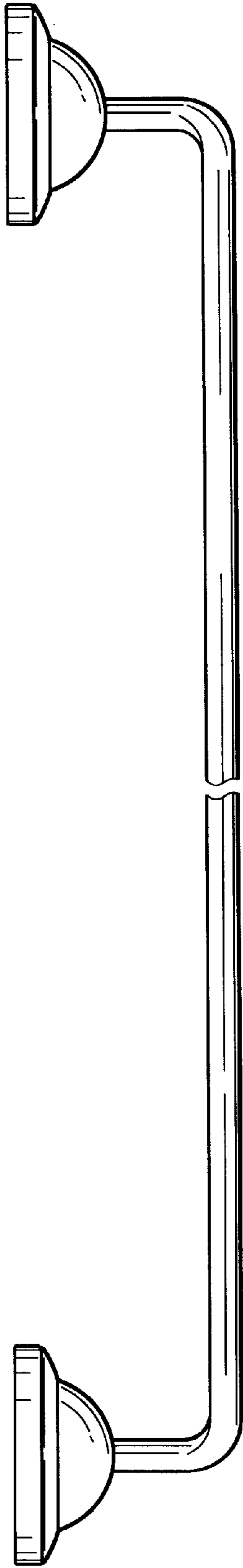


FIG. 6

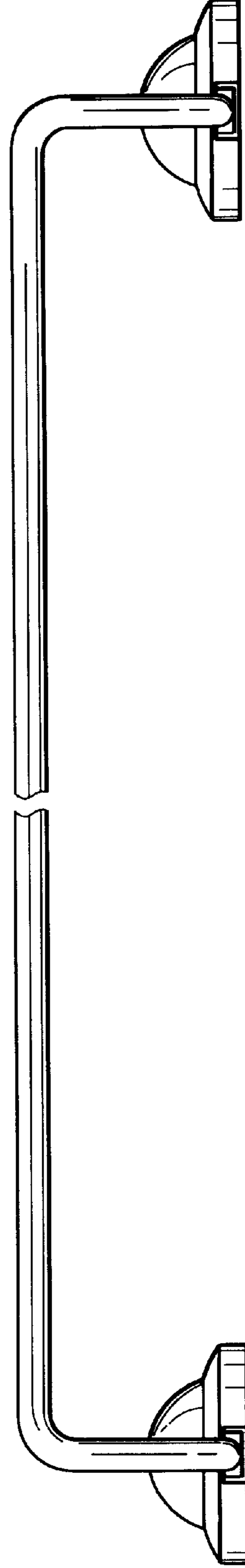


FIG. 7

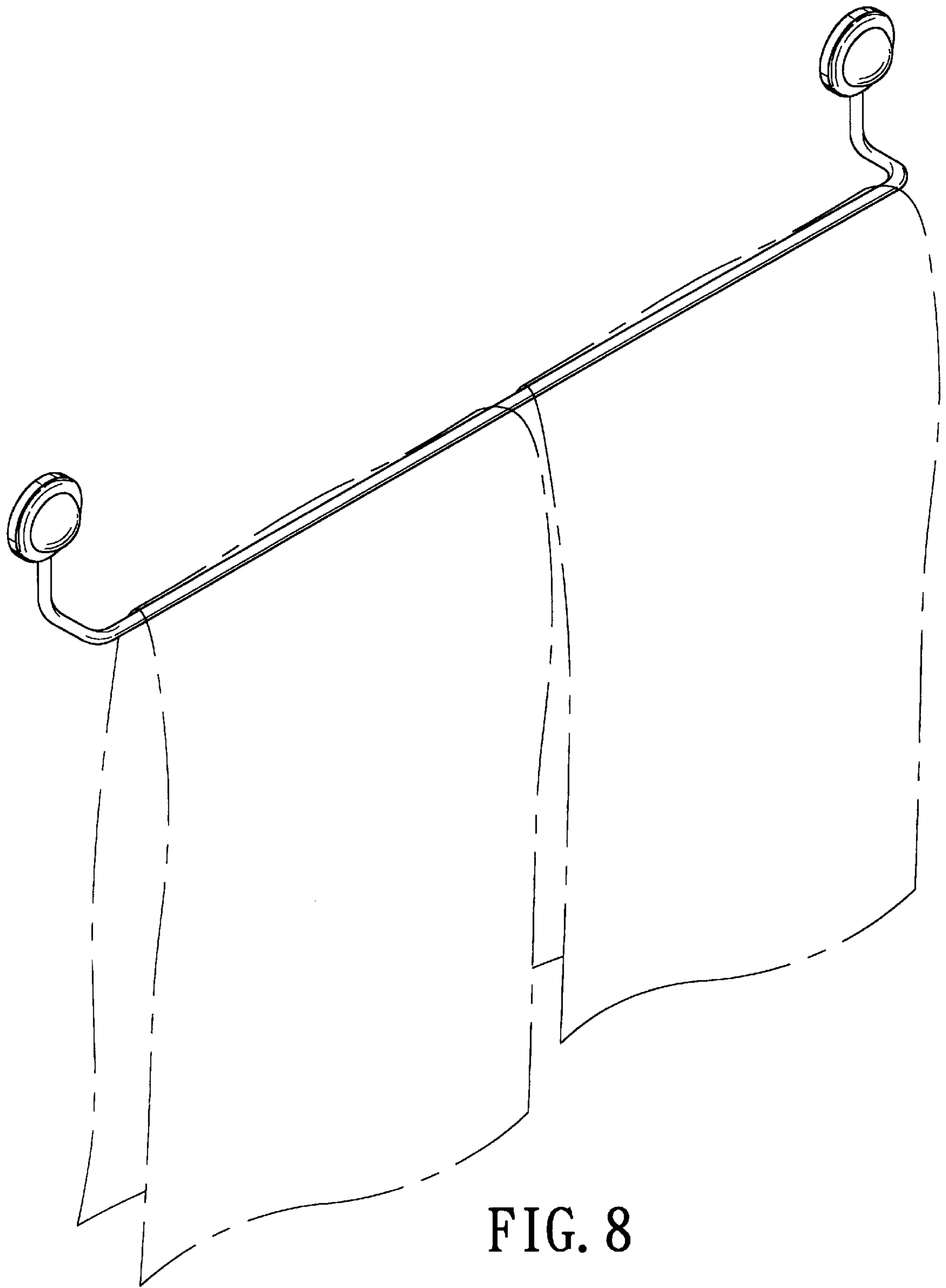


FIG. 8