



US00D431134S

United States Patent [19]
Chen

[11] **Patent Number: Des. 431,134**

[45] **Date of Patent: ** Sep. 26, 2000**

[54] **TABLE STAND**

D. 399,683 10/1998 Nicklas D6/484
5,967,631 10/1999 Ko 312/194

[76] Inventor: **Chao Ken Chen**, No. 15-1, Fu-Kung Rd., Chung Hua Hsien, Taiwan

Primary Examiner—Janice E. Seeger
Attorney, Agent, or Firm—Pro-Techtor International Services

[**] Term: **14 Years**

[21] Appl. No.: **29/112,004**

[57] **CLAIM**

[22] Filed: **Oct. 6, 1999**

The ornamental design for a table stand, shown and described.

[51] **LOC (7) Cl.** **06-06**

DESCRIPTION

[52] **U.S. Cl.** **D6/496**

[58] **Field of Search** D6/422-428, 429, D6/480, 484, 495, 496, 498; 312/194-196, 204, 208.1; 105/50.01, 50.02; 248/188, 188.1, 125.7, 157

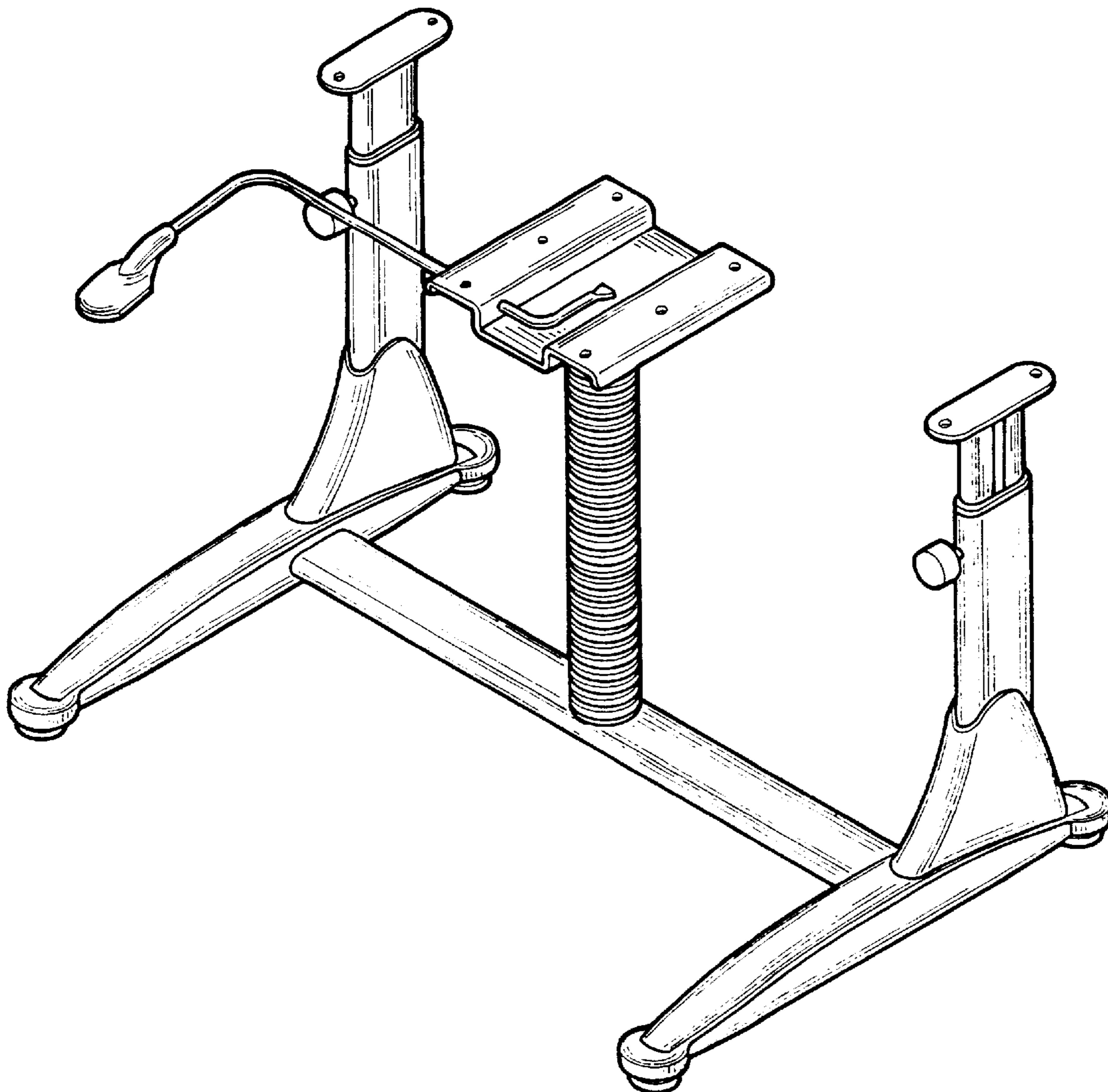
FIG. 1 is the front view of a table stand showing our new design;
FIG. 2 is the rear elevation view thereof;
FIG. 3 is the left side view thereof;
FIG. 4 is the right side view thereof;
FIG. 5 is the top plan view thereof;
FIG. 6 is the bottom plan view thereof; and,
FIG. 7 is the perspective view thereof.

[56] **References Cited**

U.S. PATENT DOCUMENTS

D. 330,302 10/1992 Heidmann D6/495
D. 379,411 5/1997 Funk D6/495

1 Claim, 3 Drawing Sheets



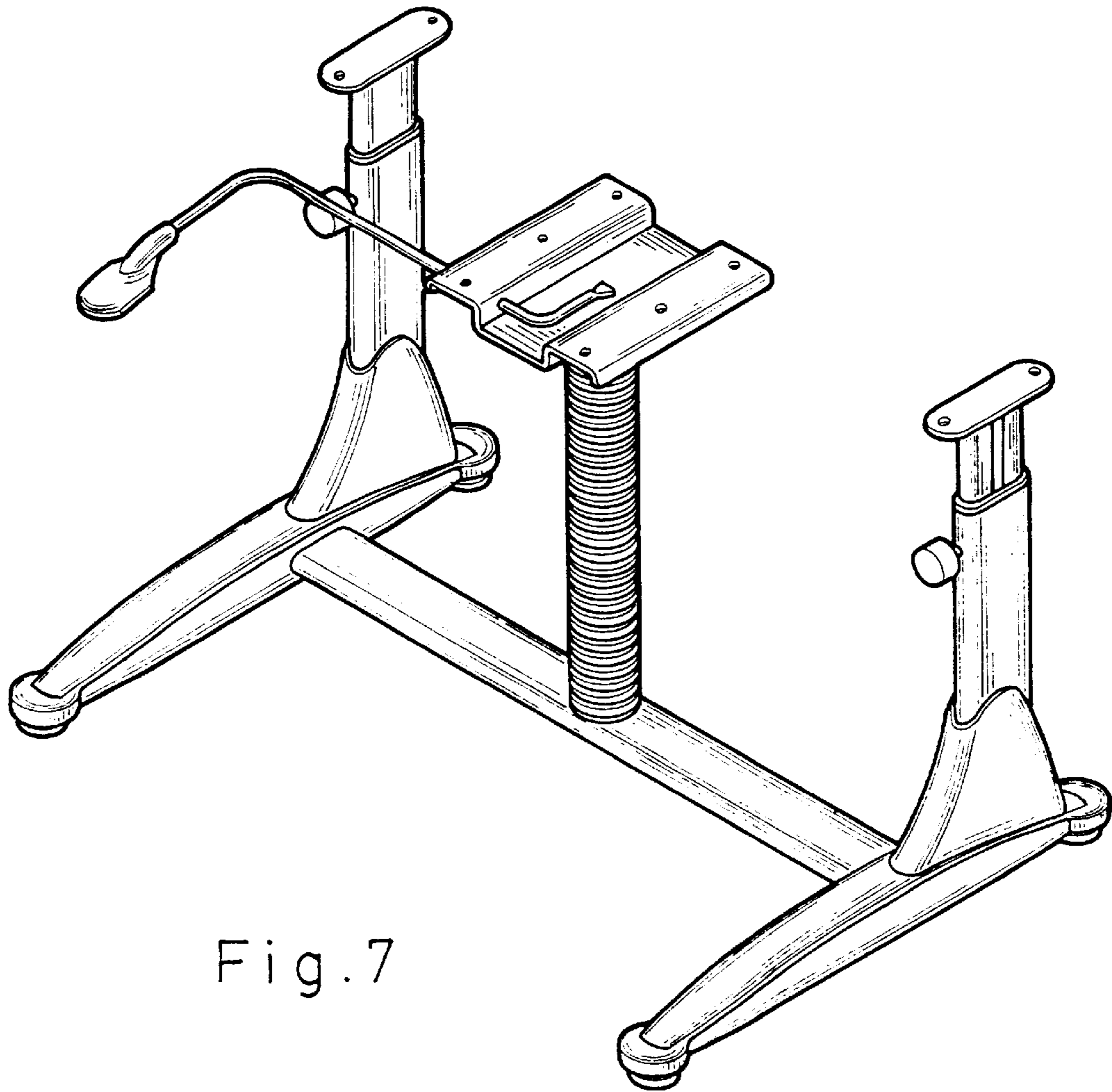


Fig. 7

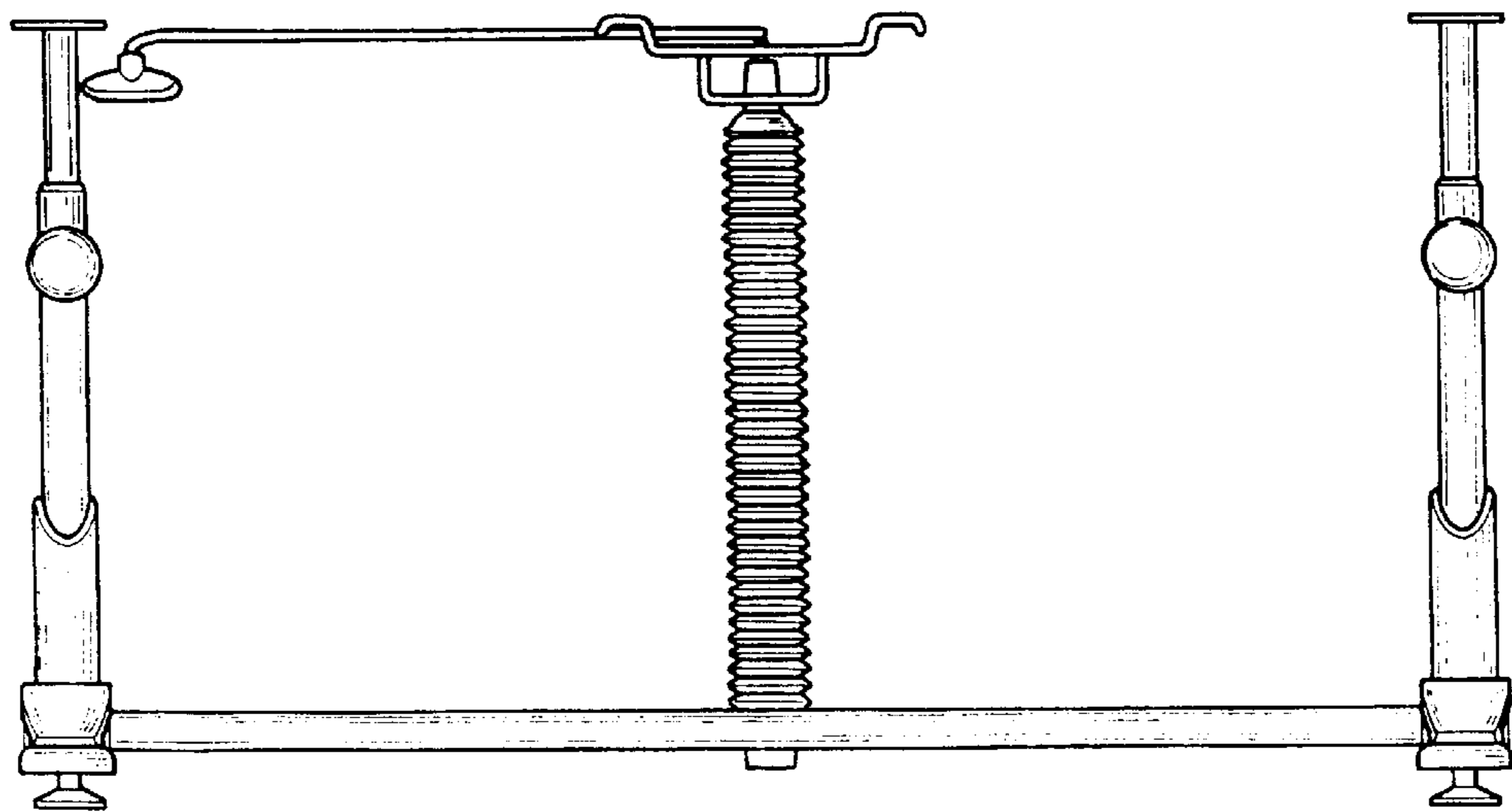


Fig. 1

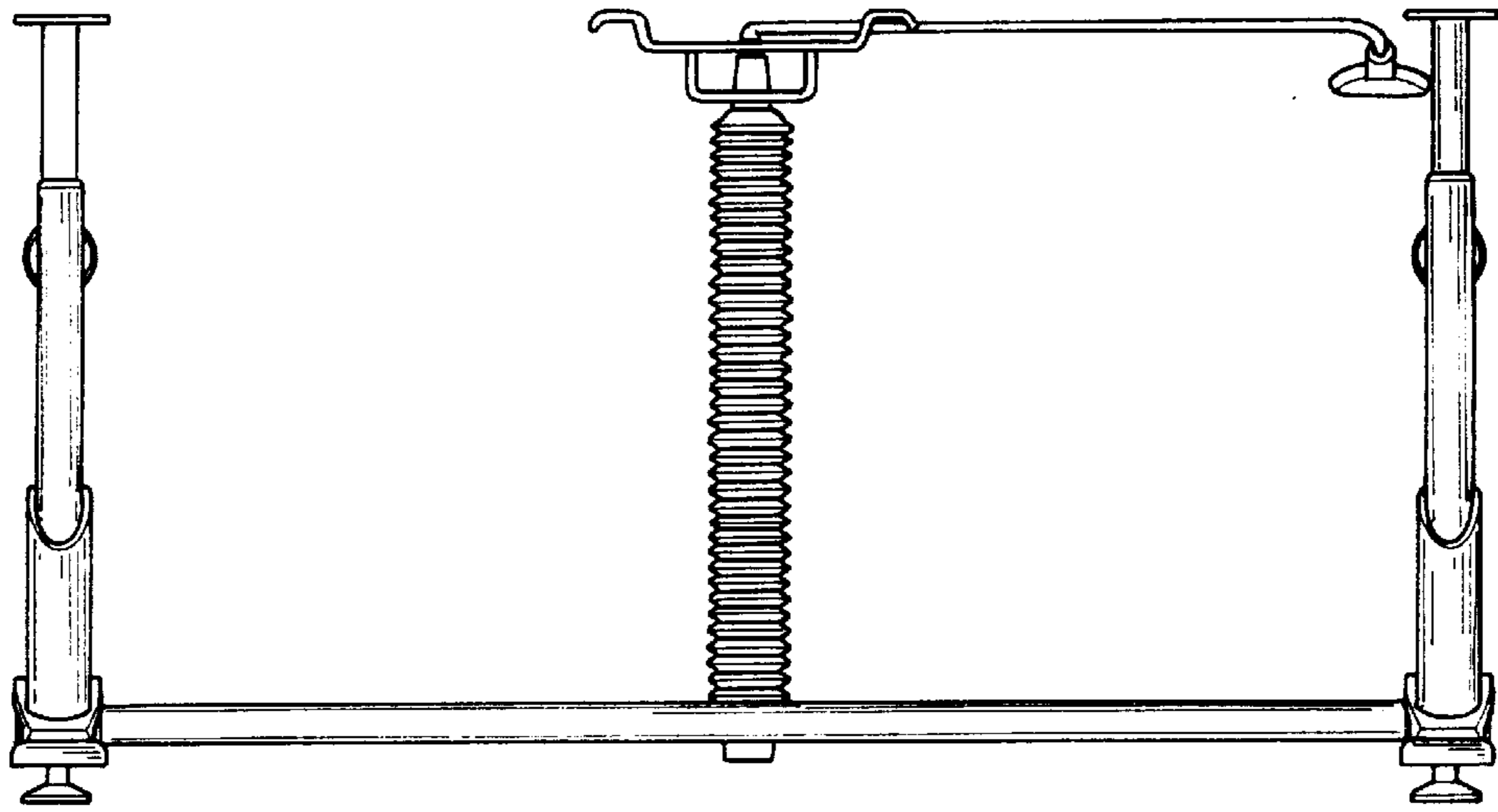


Fig. 2

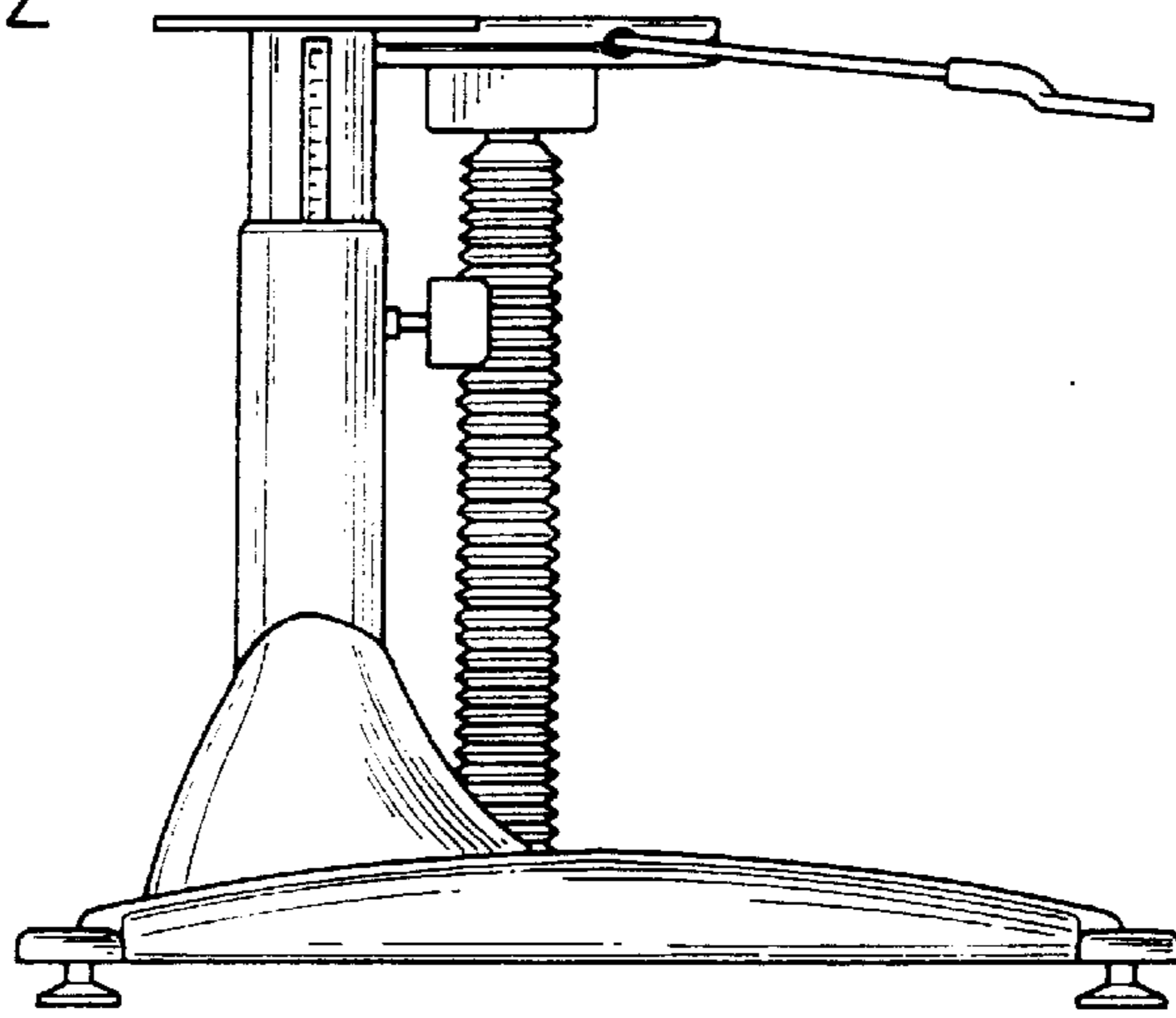


Fig. 3

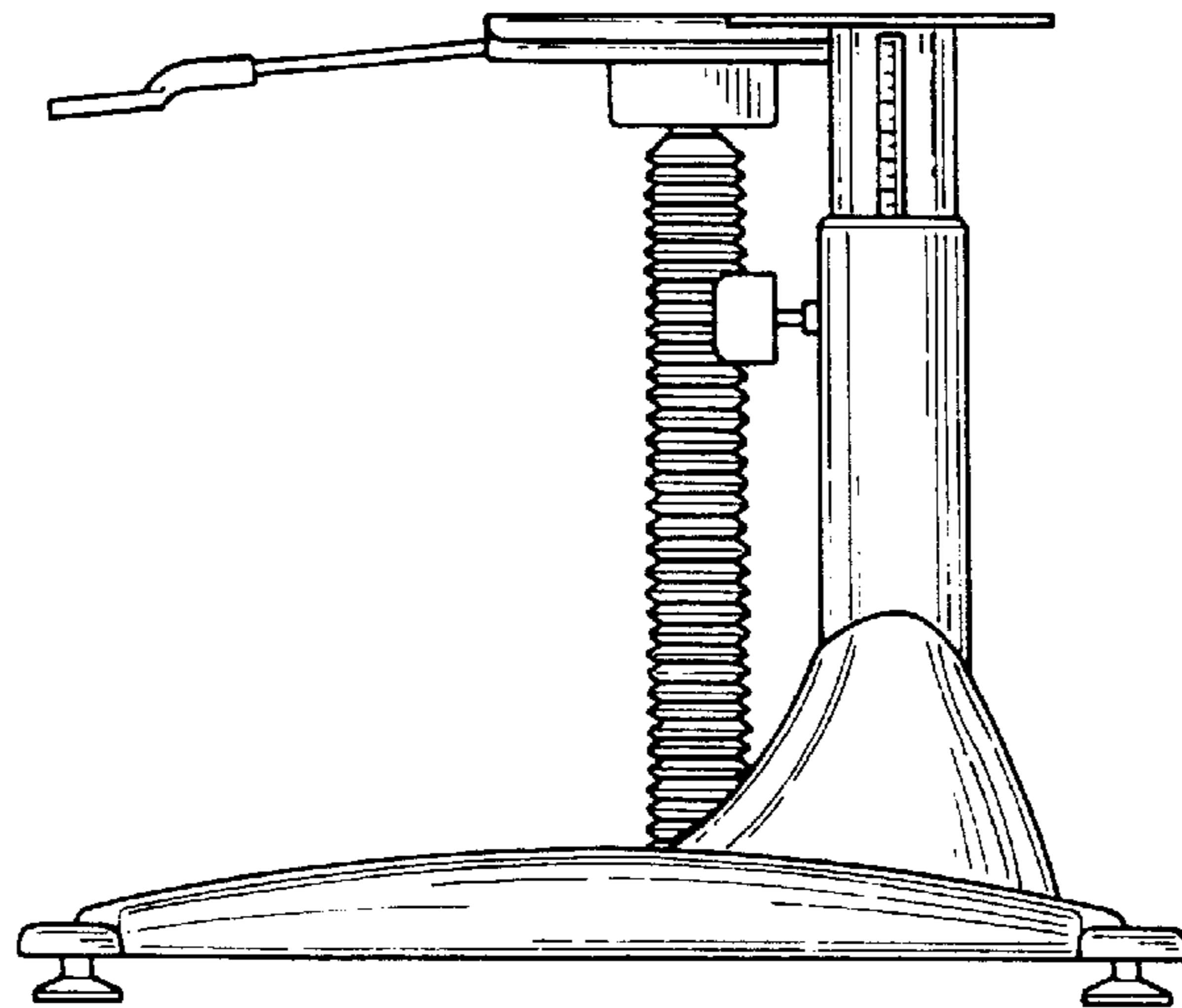


Fig. 4

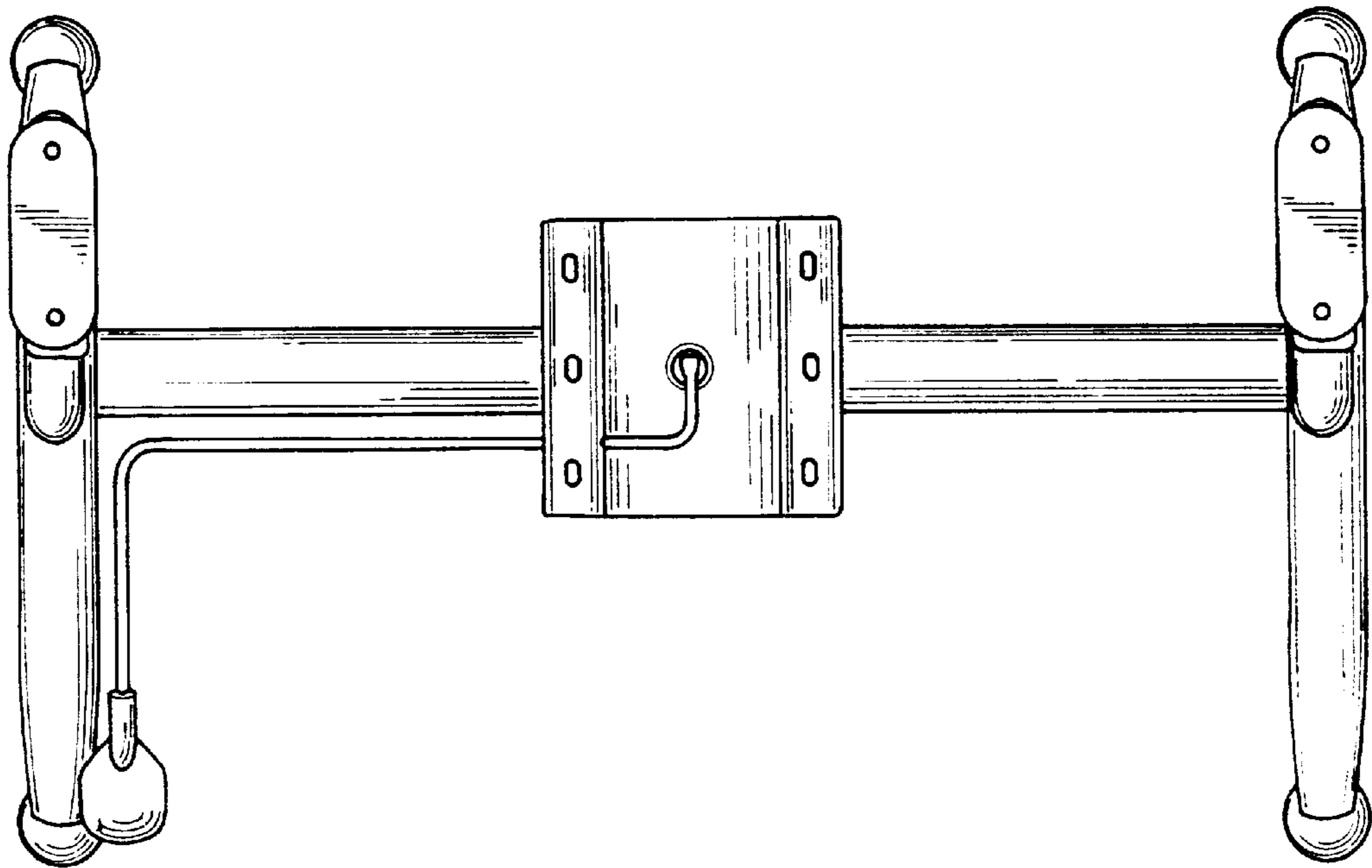


Fig. 5

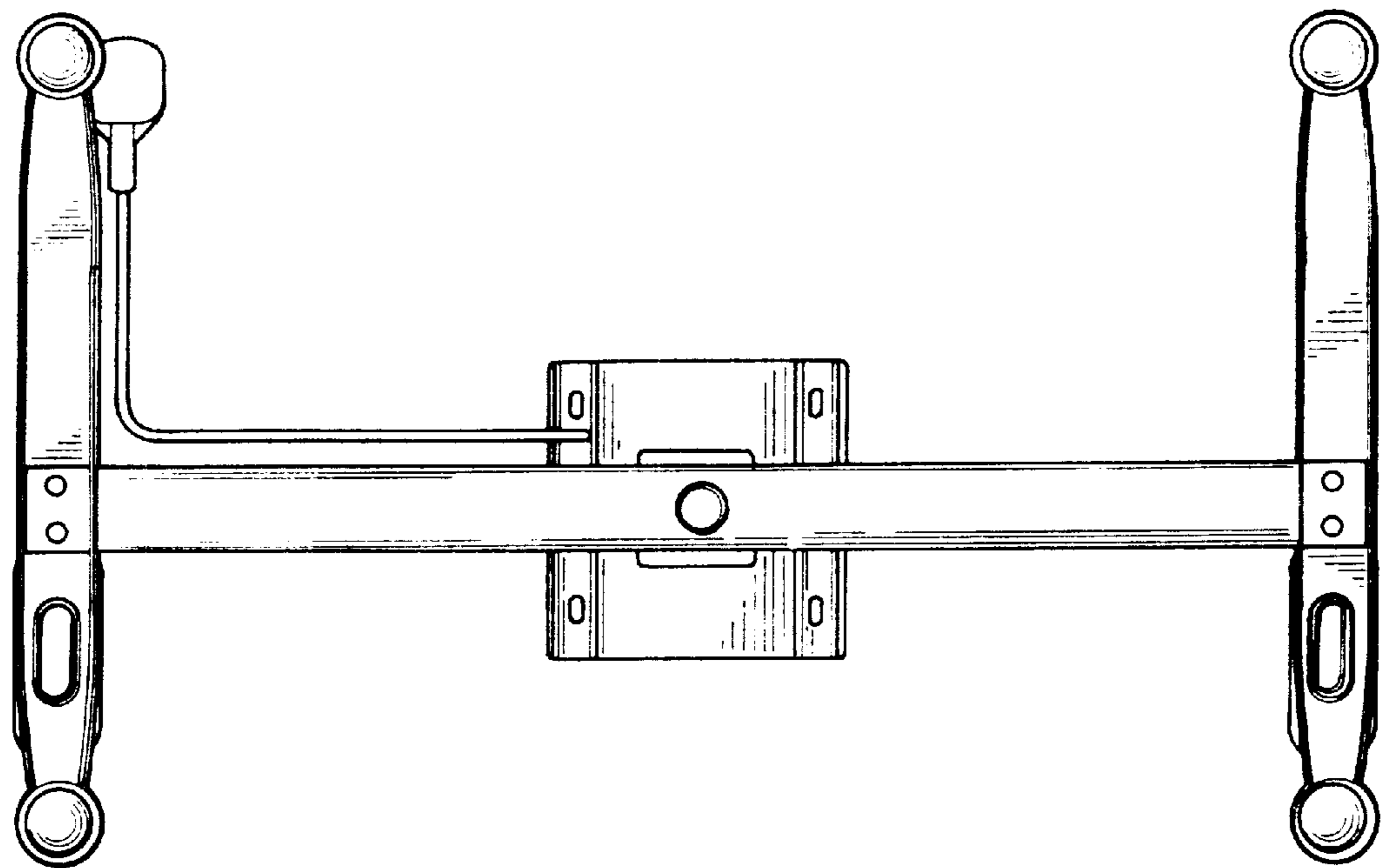


Fig. 6