



US00D431133S

United States Patent [19]

Lewis

[11] **Patent Number: Des. 431,133**

[45] **Date of Patent: ** Sep. 26, 2000**

[54] **TABLE**

D. 329,768 9/1992 Intardonato D6/495
3,664,275 5/1972 Kleinert 108/150

[76] **Inventor: Sally Sirkin Lewis, 715 Canon Dr., Beverly Hills, Calif. 90210**

OTHER PUBLICATIONS

Modern Plastics, Table at Lower Left, May 1966, p. 177.

[**] **Term: 14 Years**

Primary Examiner—Janice E. Seeger
Attorney, Agent, or Firm—Finnegan, Henderson, Farabow, Garrett & Dunner, L.L.P.

[21] **Appl. No.: 29/110,655**

[22] **Filed: Sep. 10, 1999**

[57] CLAIM

[51] **LOC (7) Cl. 06-03**

[52] **U.S. Cl. D6/486; D6/495**

The ornamental design for a table, as shown and described.

[58] **Field of Search** D6/480-489, 495,
D6/496; 108/150, 50.11, 153, 161; 248/188,
188.1

DESCRIPTION

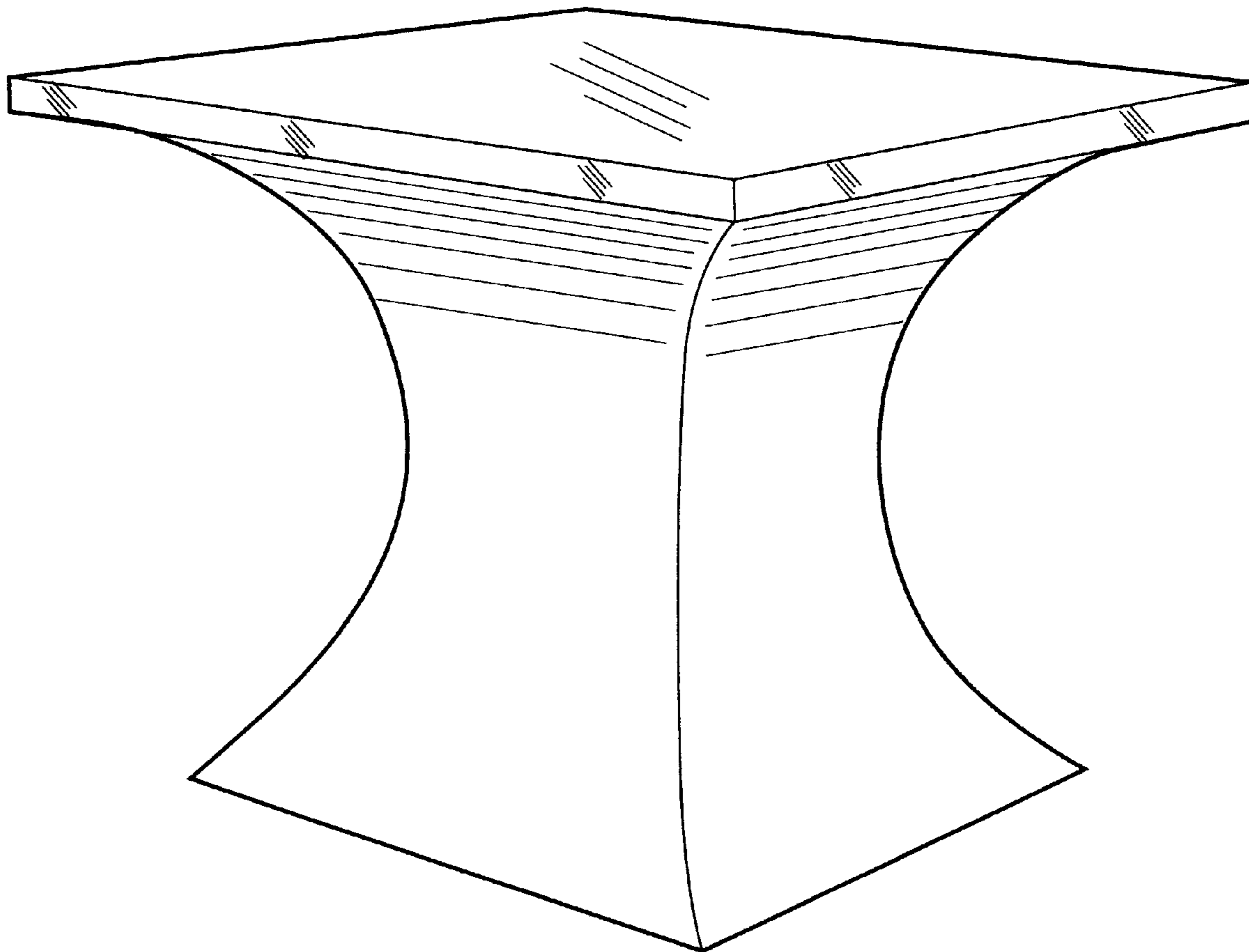
FIG. 1 is a perspective view of the table of my design; FIG. 2 is a top view of the table; and, FIG. 3 is a side view of the table (the other three side views are mirror images of this view and are not shown). The bottom of the table is flat and unornamented.

[56] References Cited

U.S. PATENT DOCUMENTS

D. 222,309 10/1971 Ellingson et al. D6/482
D. 237,226 10/1975 Mudde D6/349

1 Claim, 3 Drawing Sheets



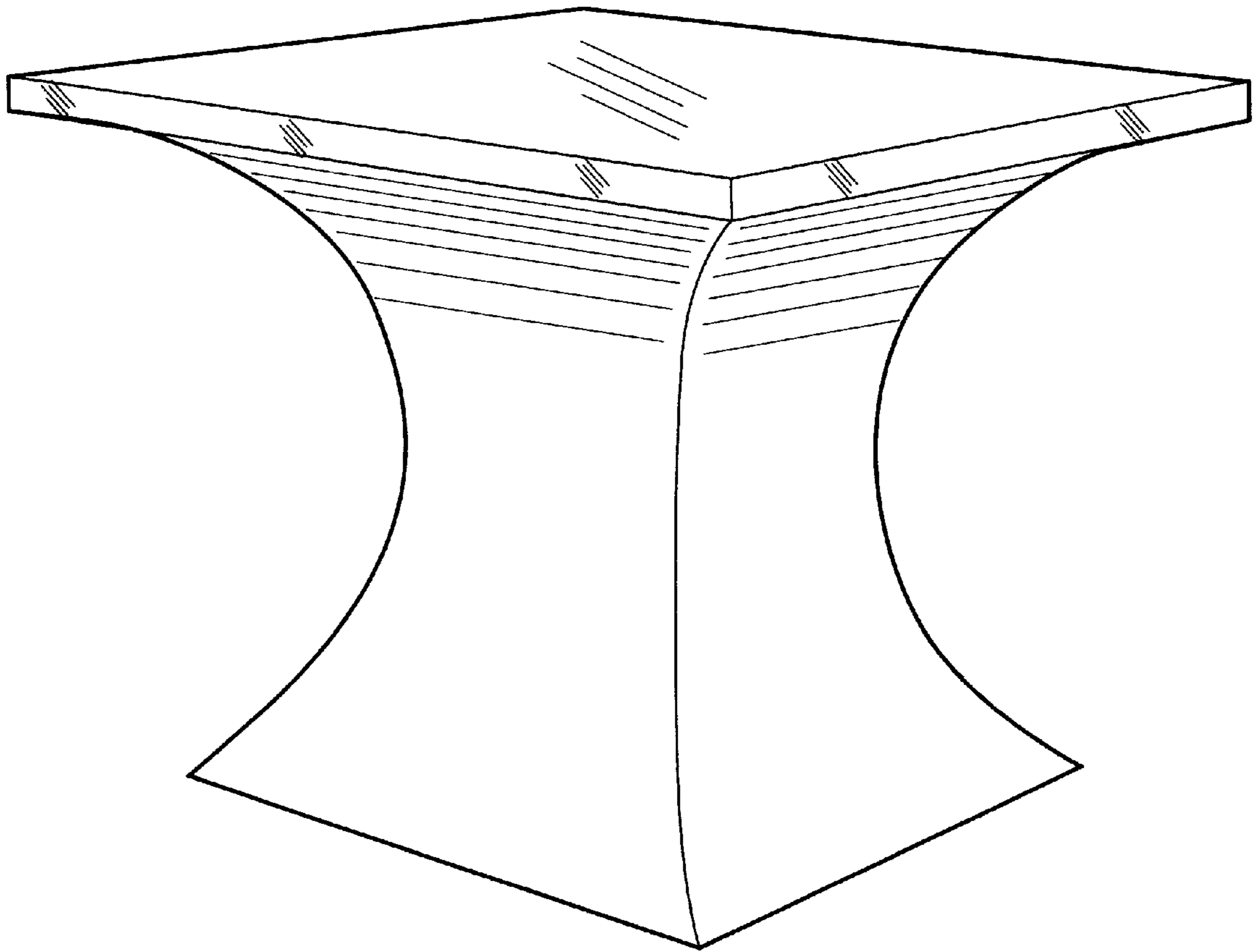


Fig. 1

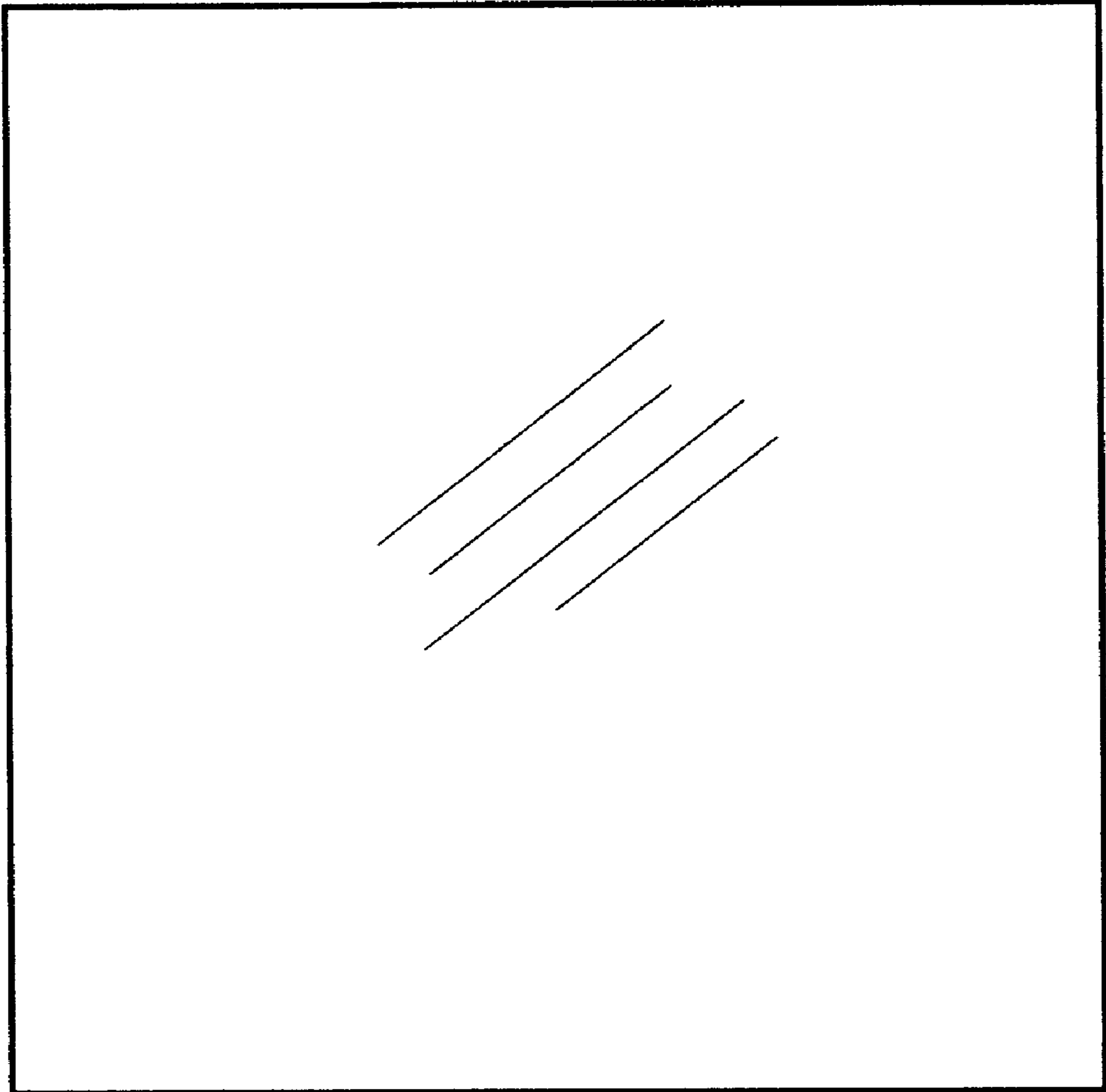


Fig. 2

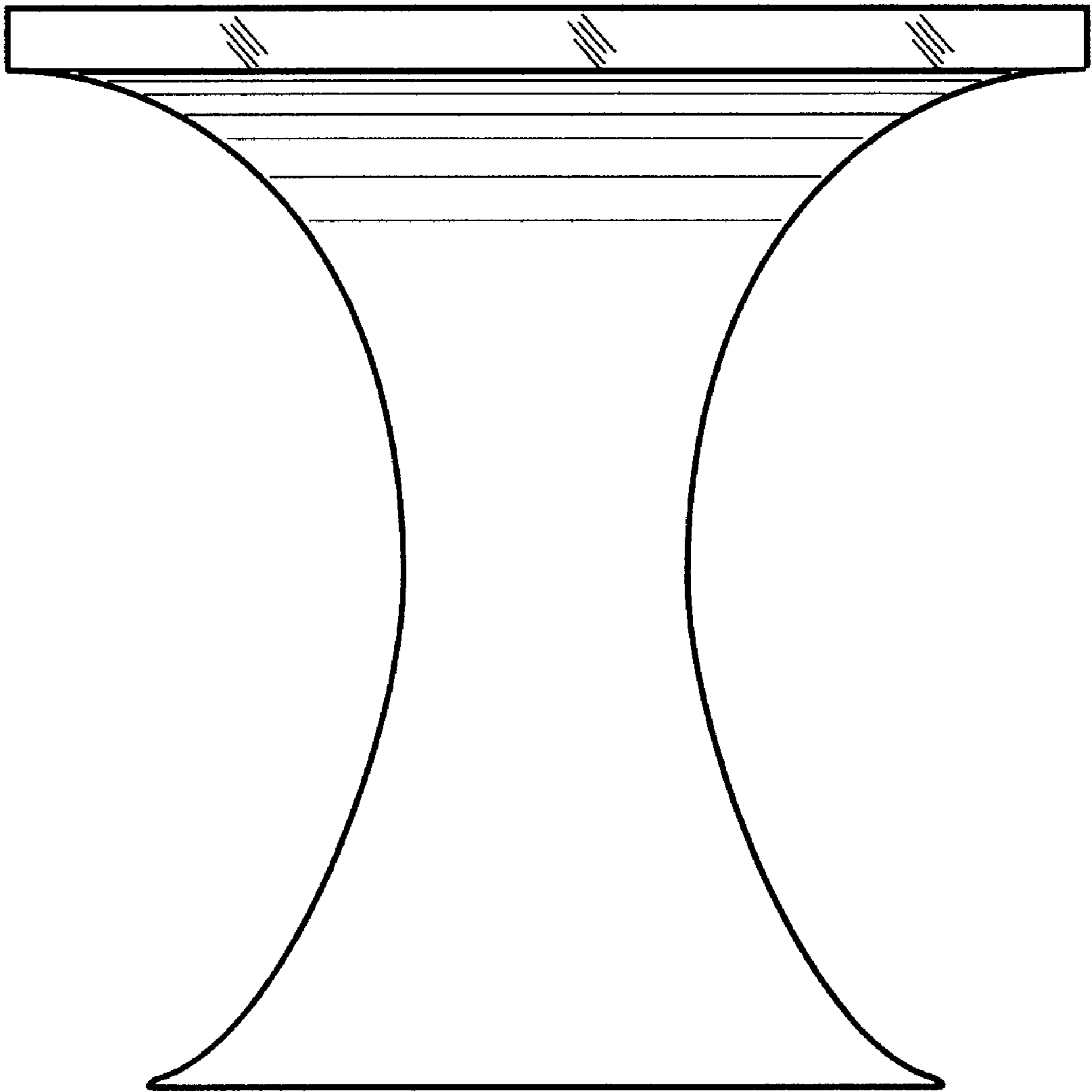


Fig. 3