



US00D431129S

United States Patent [19] Brandenberg

[11] **Patent Number: Des. 431,129**

[45] **Date of Patent: ** Sep. 26, 2000**

[54] **MODULAR CORNER DESK**

[76] Inventor: **Carl Brock Brandenburg**, 5800
Monroe Hwy., Cresson, Tex. 76035

[**] Term: **14 Years**

[21] Appl. No.: **29/116,358**

[22] Filed: **Dec. 30, 1999**

[51] **LOC (7) Cl.** **06-04**

[52] **U.S. Cl.** **D6/426; D6/428**

[58] **Field of Search** D6/422-428, 480,
D6/482, 484, 474, 477, 485; 312/194-196,
204, 208.1; 108/50.01, 50.02

[56] **References Cited**

U.S. PATENT DOCUMENTS

- D. 330,124 10/1992 Short D6/422
- D. 400,371 11/1998 Robinson D6/423
- D. 400,730 11/1998 Brandenburg D6/426
- 4,345,803 8/1982 Heck 312/208.1

OTHER PUBLICATIONS

1988 Office Furniture Mart Catalog, p. 35, #C desk 2nd from
bottom at right.
Modern Office, 1997, #B at left and center p. 38.

Primary Examiner—Janice E. Seeger
Attorney, Agent, or Firm—Melvin A. Hunn

[57] **CLAIM**

The ornamental design for a modular corner desk, as shown
and described.

DESCRIPTION

FIG. 1 is a perspective view of the front of the present
invention.

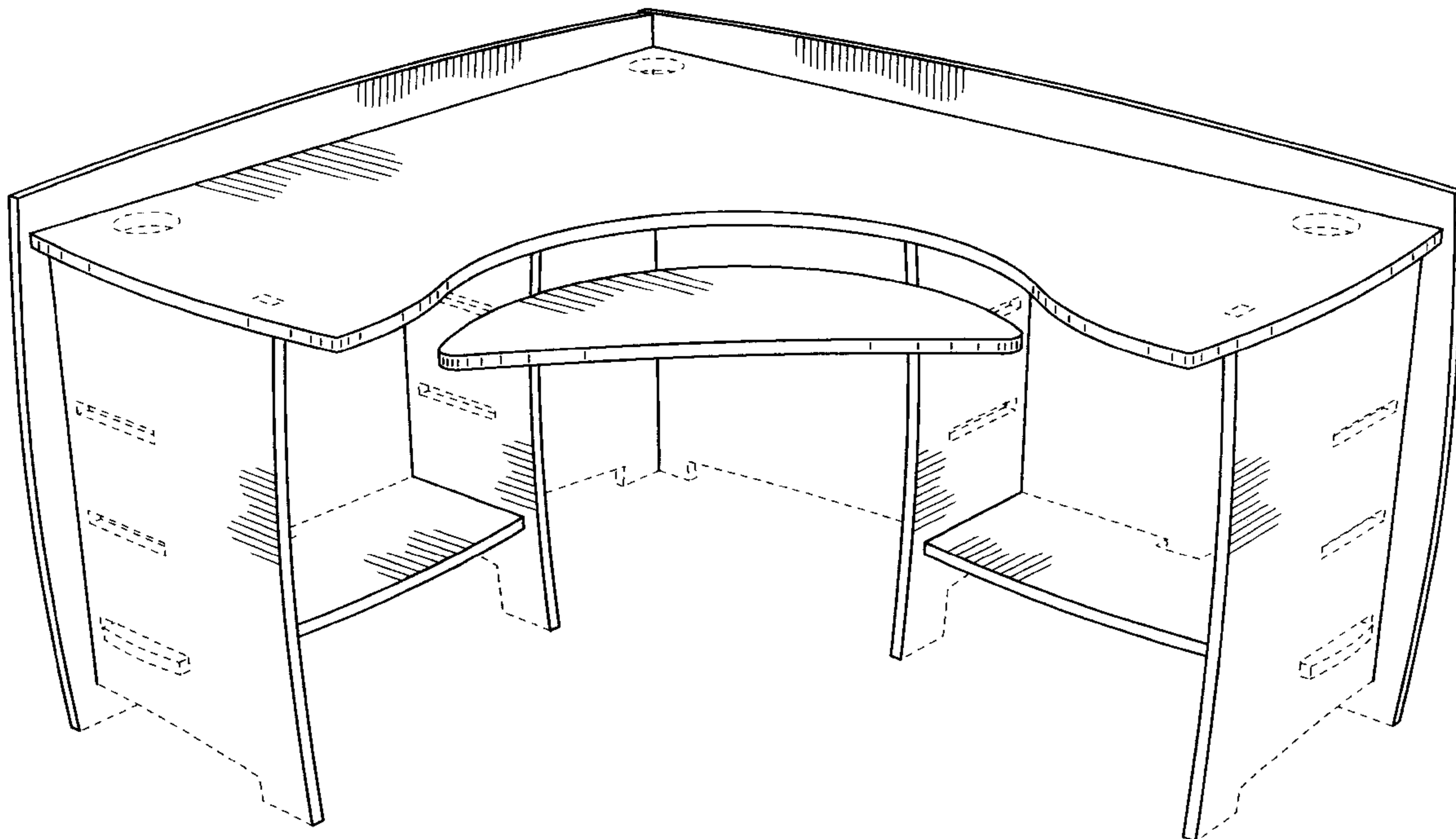
FIG. 2 is a perspective view of the rear of the present
invention.

FIG. 3 is a second perspective view of the rear of the present
invention; and,

FIG. 4 is a perspective view from beneath the front of the
present invention.

The broken line structure shown in FIGS. 1, 2, 3, and 4, is
for illustrative purposes only and forms no part of the
claimed design.

1 Claim, 4 Drawing Sheets



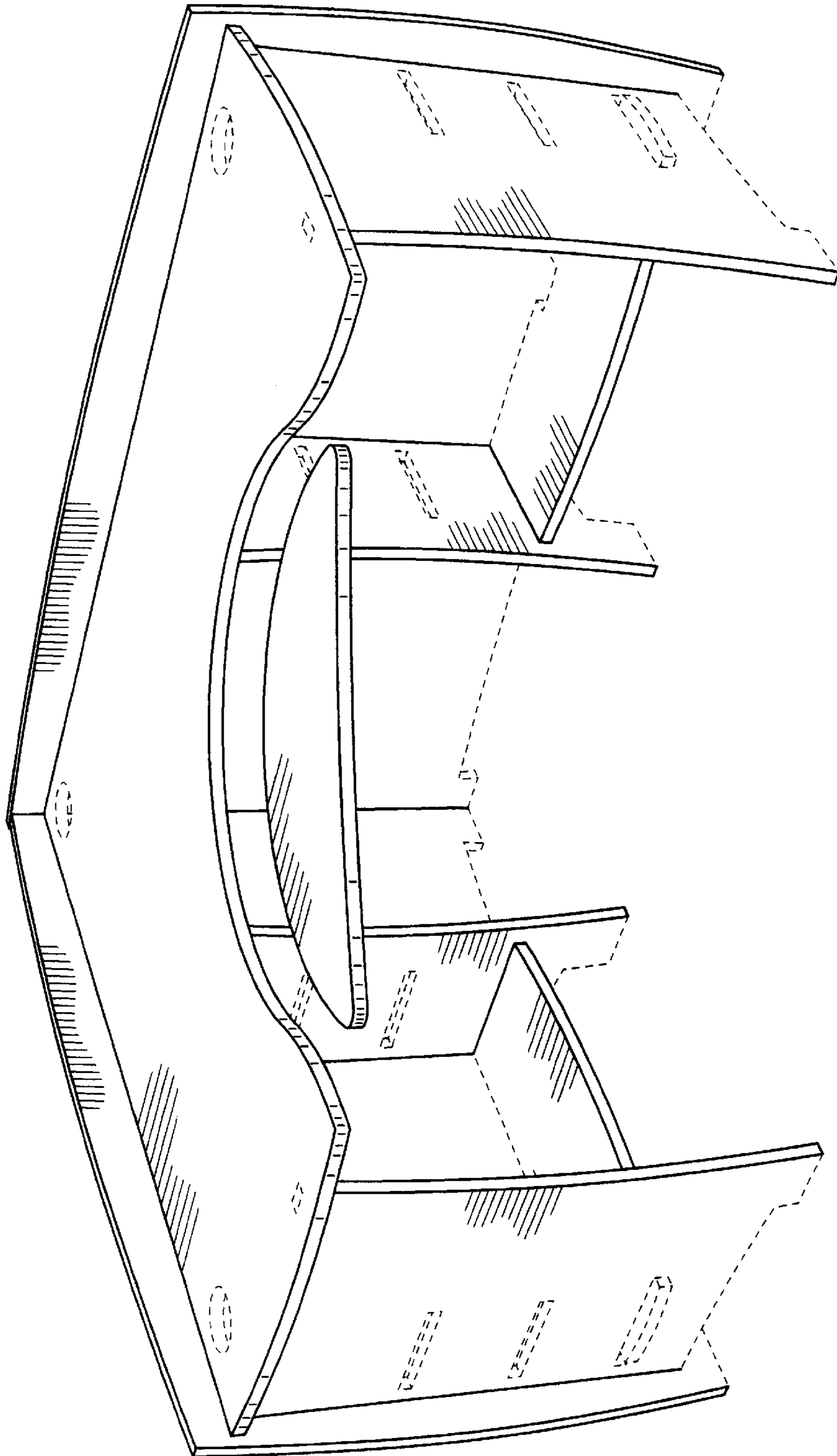


FIG. 1

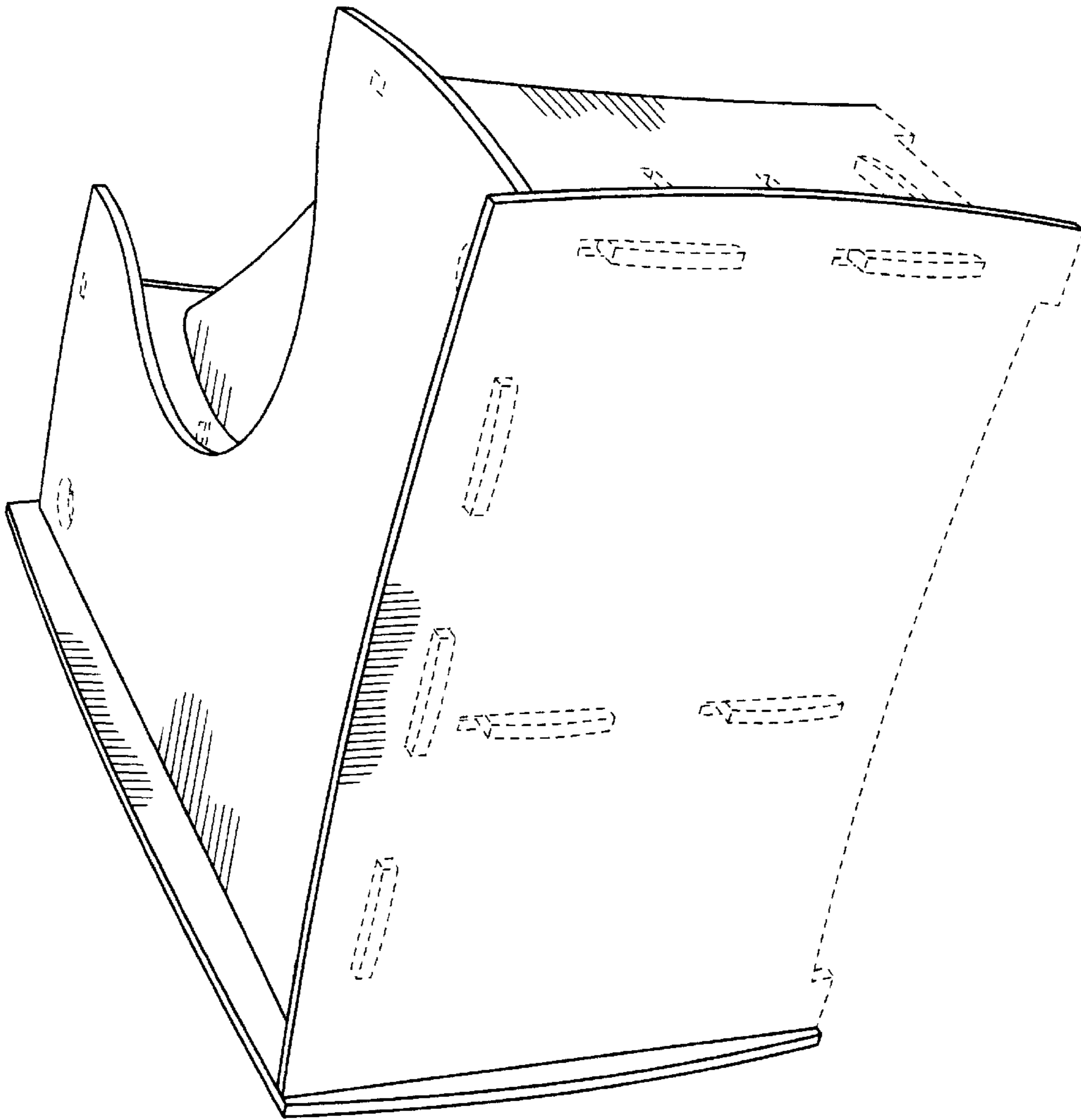


FIG. 2

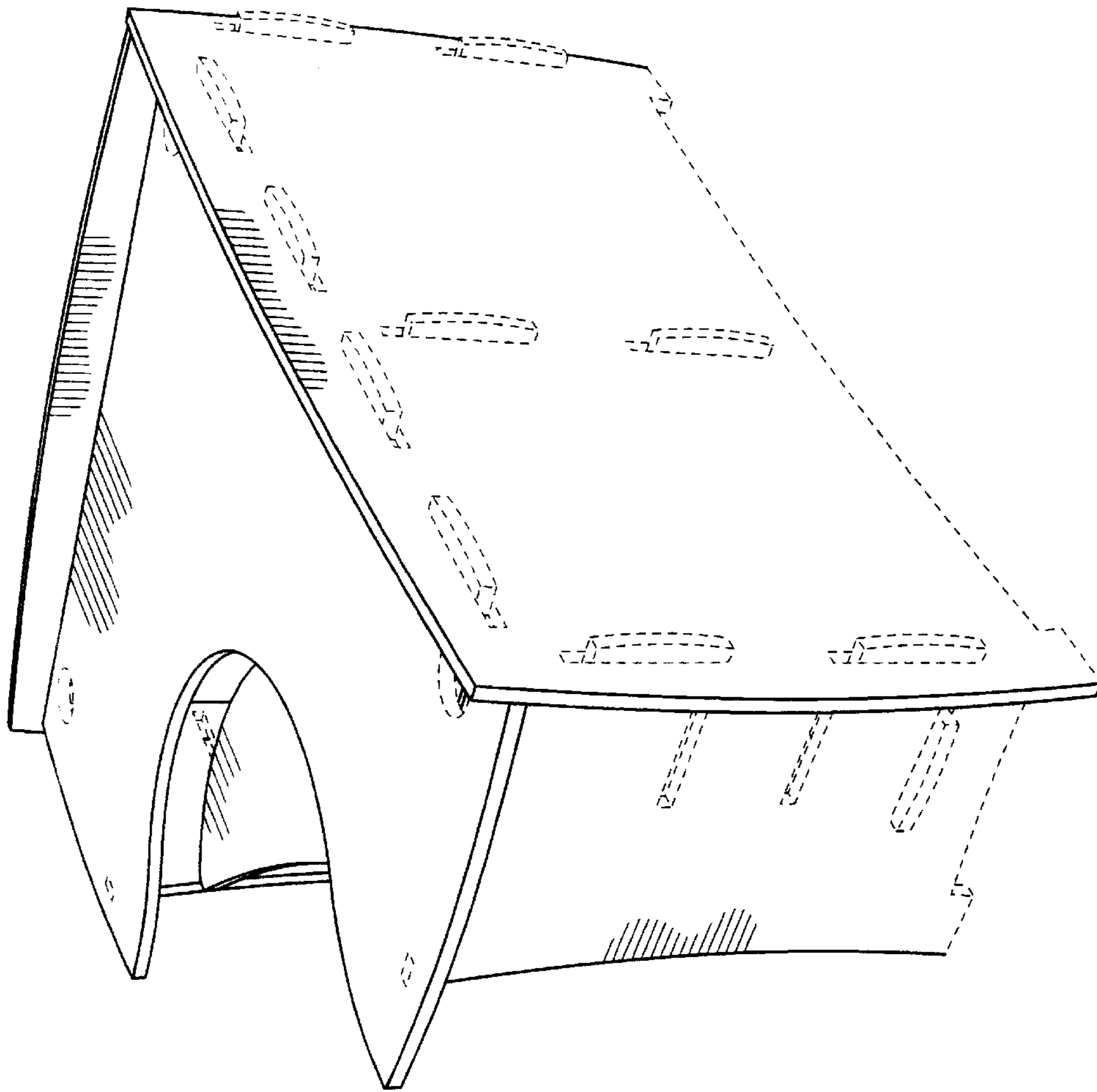


FIG. 3

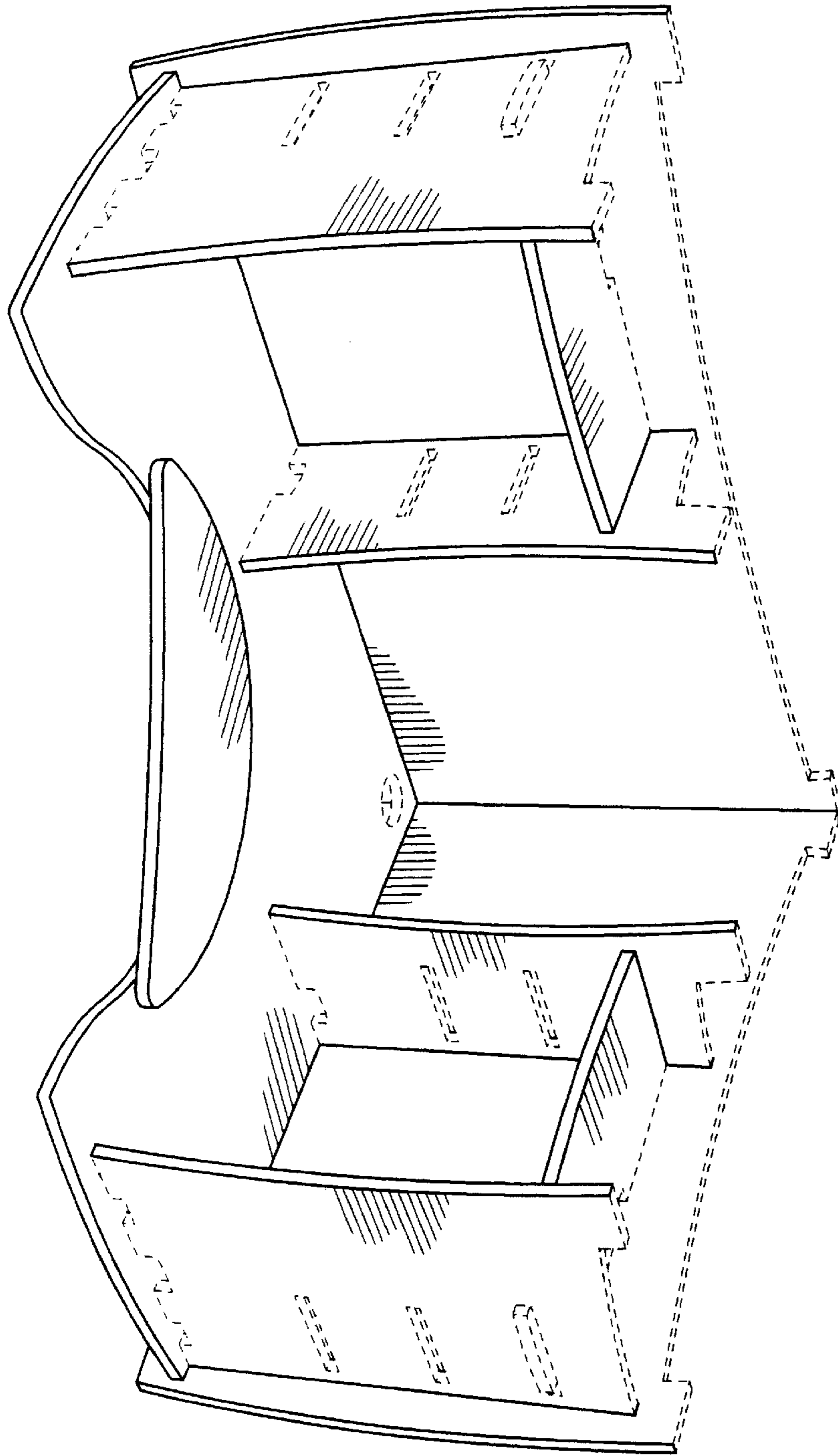


FIG. 4