



US00D431127S

# United States Patent [19] Connor

[11] **Patent Number: Des. 431,127**

[45] **Date of Patent: \*\* Sep. 26, 2000**

[54] **PLANT POT HANGER**

5,586,413 12/1996 Sharon ..... 47/67

[76] Inventor: **Jeremy Mark Connor**, 74 Brandon Street, Kensington, Western Australia, Australia

### OTHER PUBLICATIONS

Houseware's Review, wrought iron plant pot holder on p. 23, Dec. 1974.

[\*\*] Term: **14 Years**

*Primary Examiner*—Doris V. Coles  
*Assistant Examiner*—Linda Brooks  
*Attorney, Agent, or Firm*—Miles & Stockbridge P.C.; John C. Kerins

[21] Appl. No.: **29/105,084**

[22] Filed: **May 17, 1999**

### [57] CLAIM

### [30] Foreign Application Priority Data

Nov. 19, 1998 [AU] Australia ..... 3708/98  
Feb. 10, 1999 [AU] Australia ..... 409/99

The ornamental design for a plant pot hanger, as shown and described.

[51] **LOC (7) Cl.** ..... **06-04**

### DESCRIPTION

[52] **U.S. Cl.** ..... **D6/403**

[58] **Field of Search** ..... D6/403, 405, 462, D6/455, 458, 513, 556, 495, 499, 509; D11/143-152; 47/65.5, 67, 39, 40, 44-47; 211/85.23, 85.29, 85.31, 119; 248/27.8, 511, 346.01, 519, 523, 346.03, 127, 146, 153, 175, 188.1, 317, 318, 322, 339

FIG. 1 is a perspective front view of a plant pot hanger showing my new design, shown broken away to disclose indeterminate length, it being understood that the perspective rear view is substantially a mirror image;

FIG. 2 is a plan thereof;

FIG. 3 is a side view thereof;

FIG. 4 is a perspective front view of a second embodiment of a plant pot hanger, shown broken away to disclose indeterminate length, it being understood that the perspective rear view is substantially a mirror image;

FIG. 5 is a plan view of FIG. 4; and,

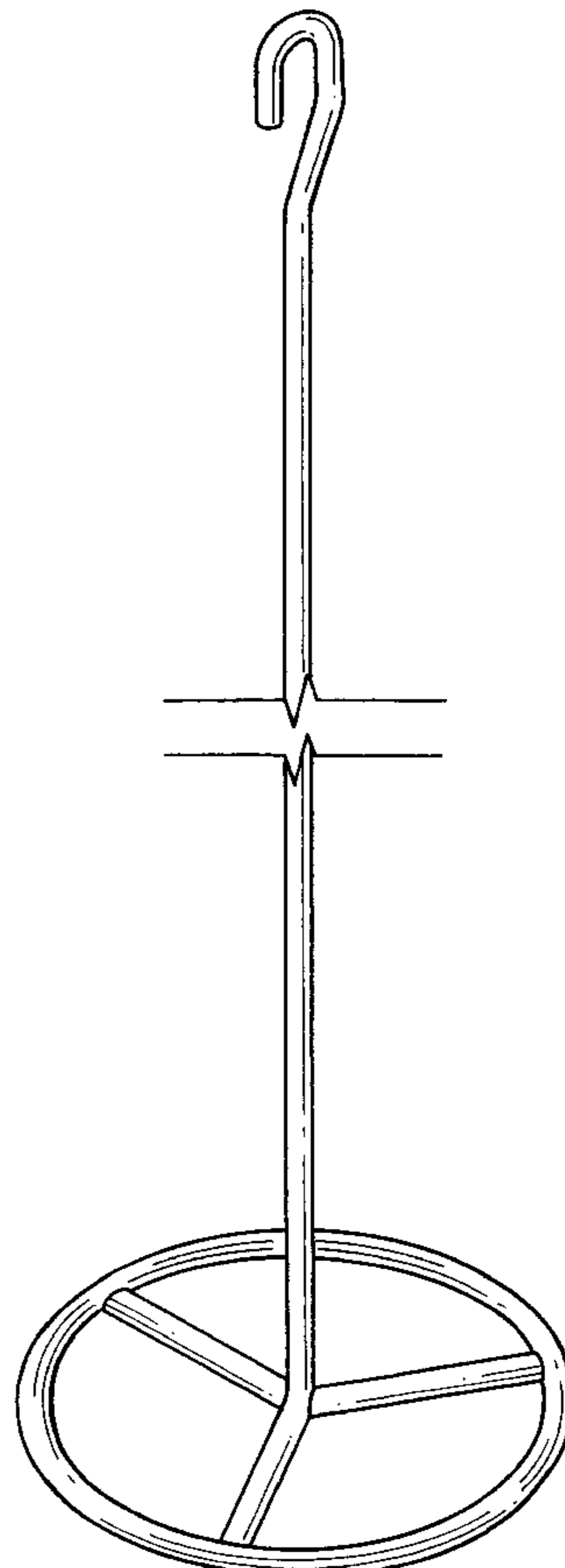
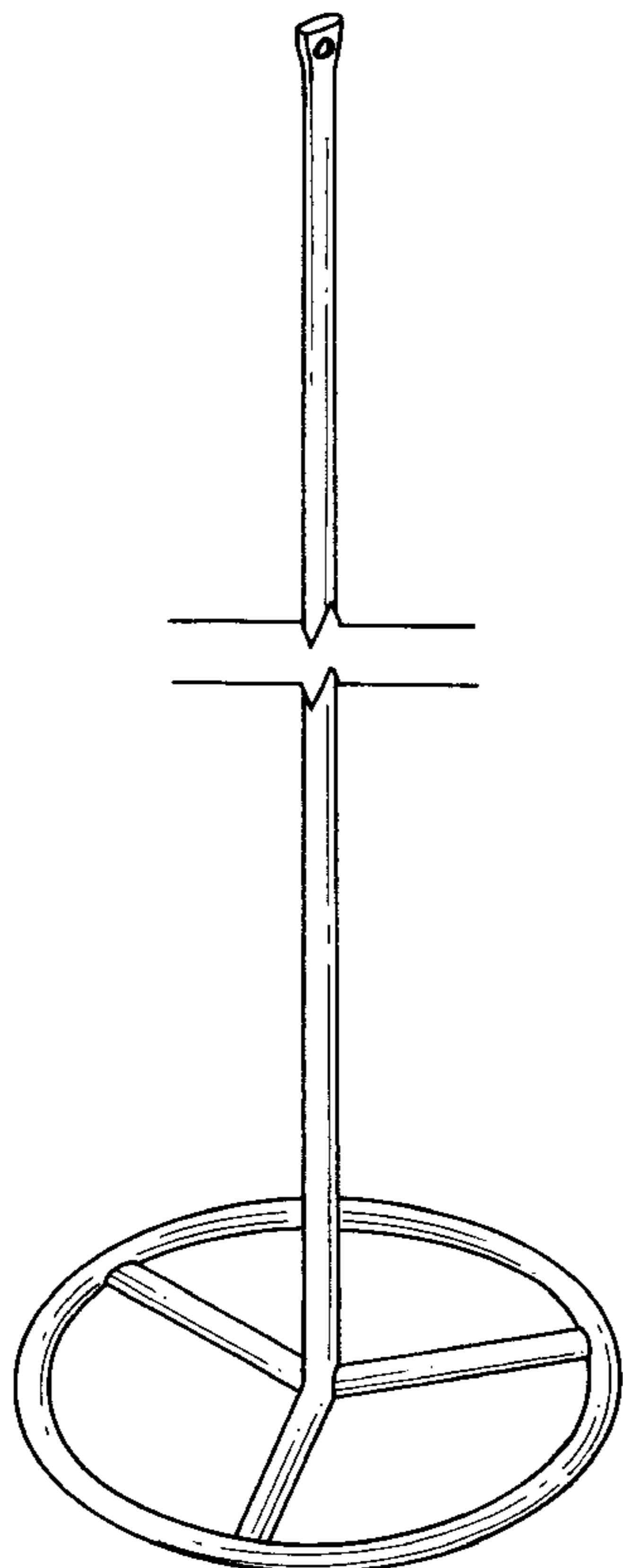
FIG. 6 is a side view of FIG. 4.

### [56] References Cited

#### U.S. PATENT DOCUMENTS

D. 247,400 3/1978 Foster ..... D6/513  
D. 393,159 4/1998 Richards et al. .... D6/403  
5,454,187 10/1995 Wasserman ..... 47/39

**1 Claim, 2 Drawing Sheets**



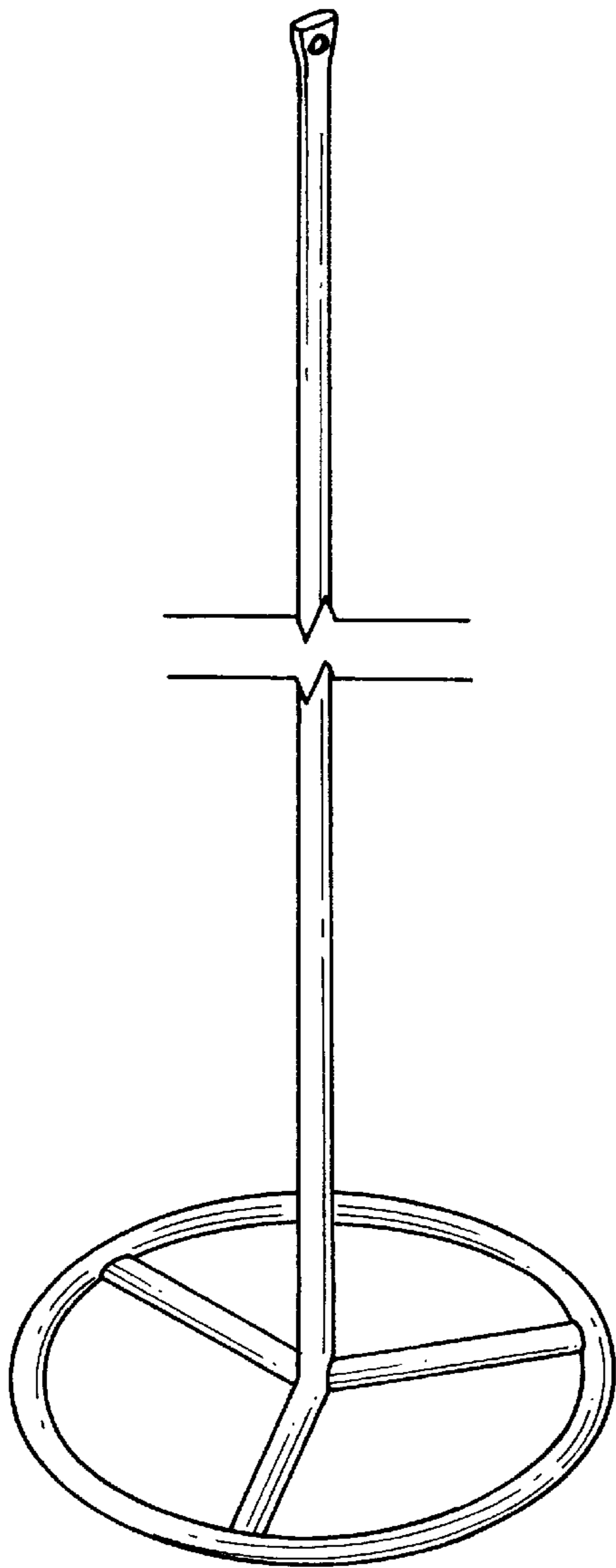


FIG. 1

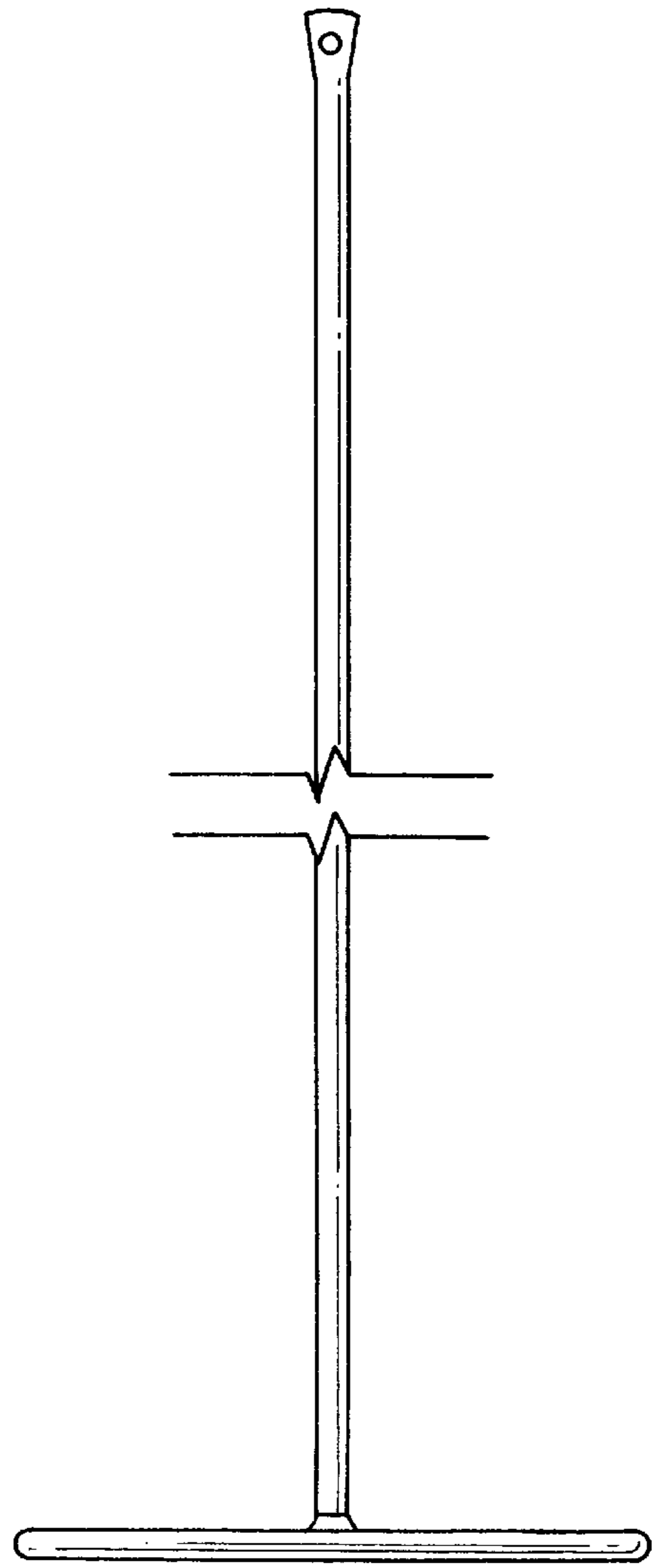


FIG. 2

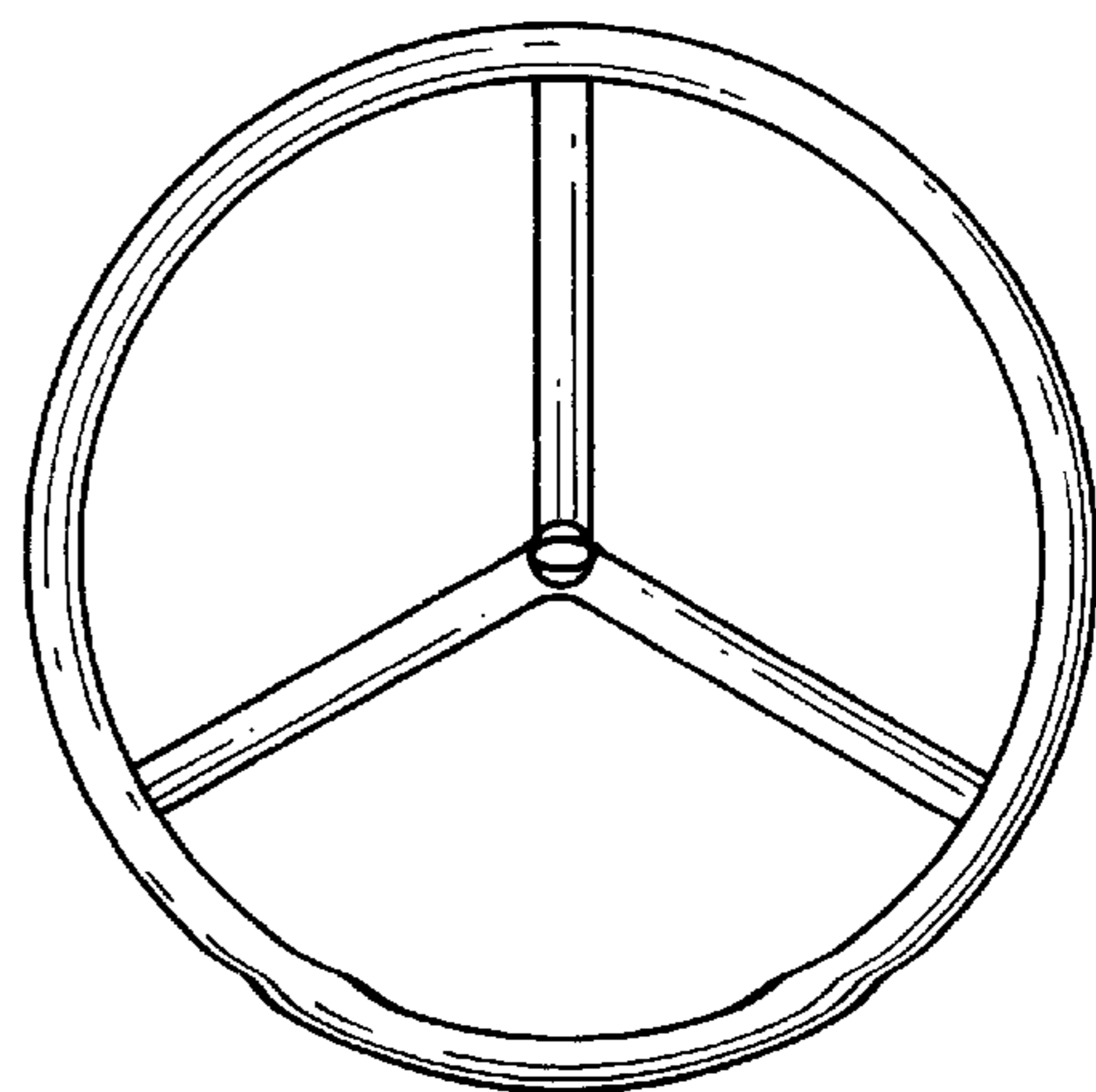


FIG. 3

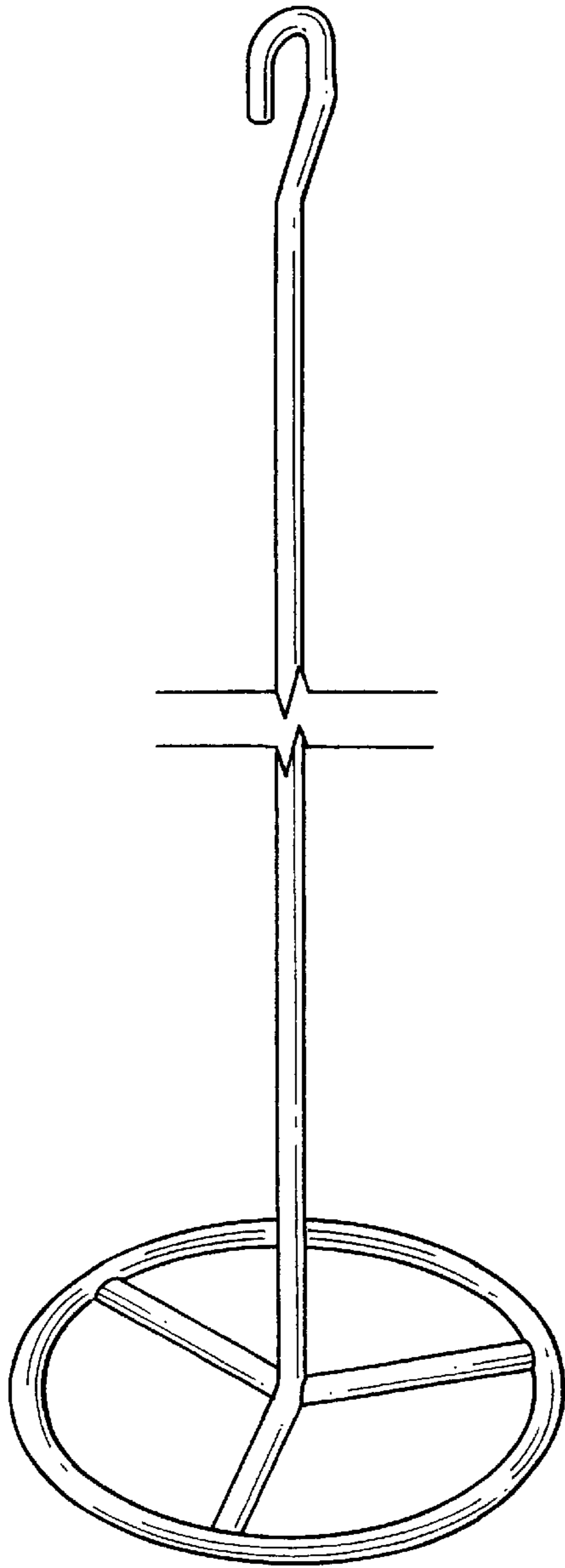


FIG. 4

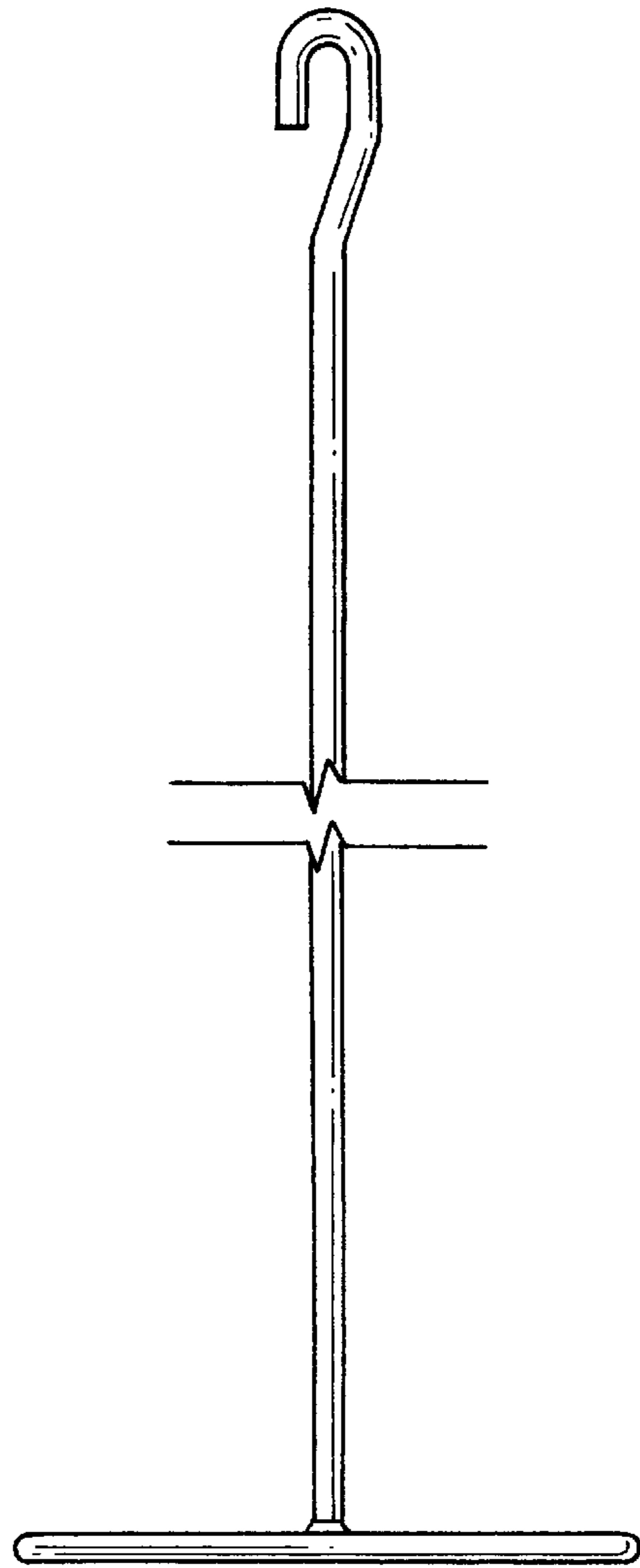


FIG. 5

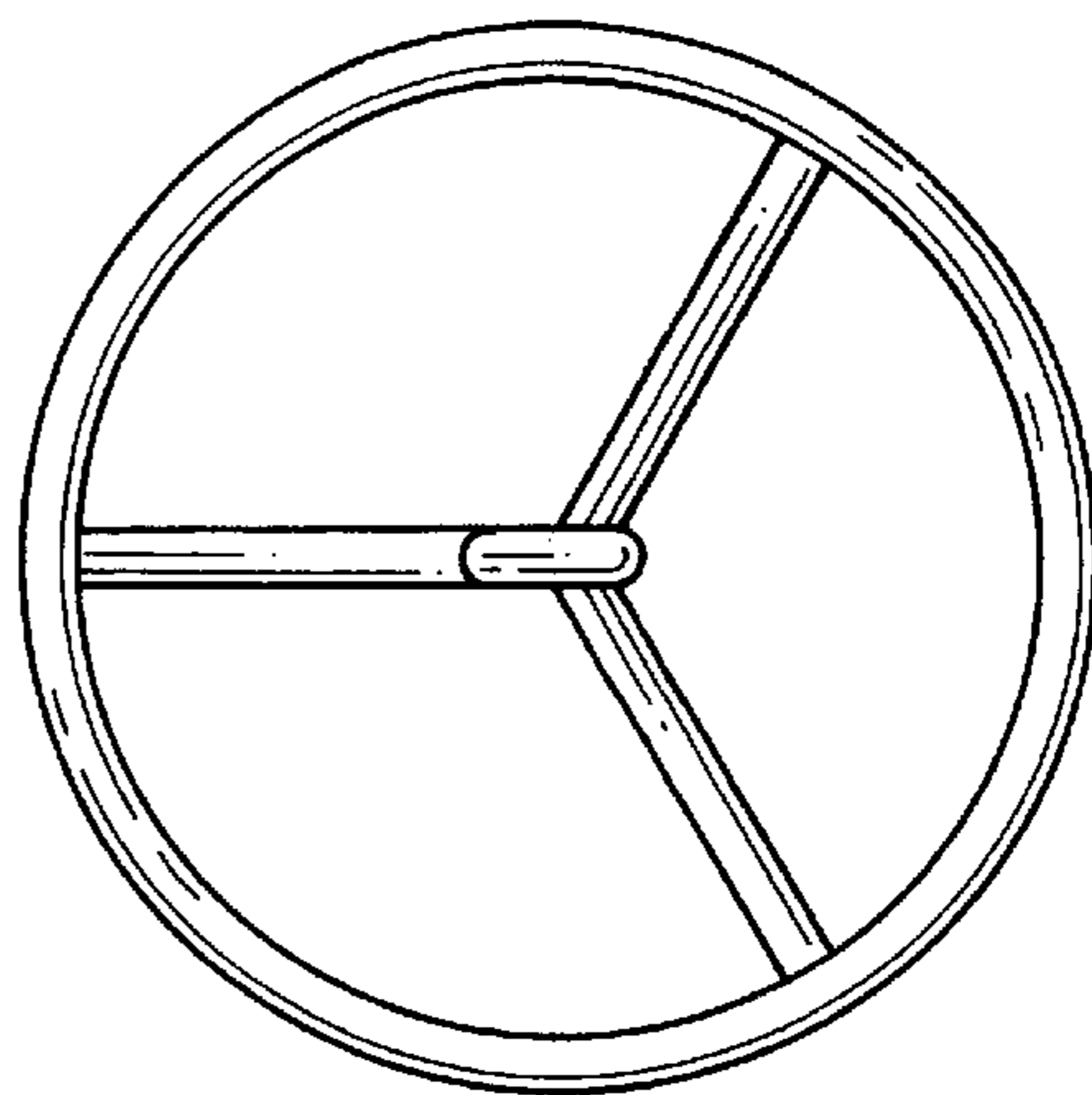


FIG. 6