



US00D431125S

# United States Patent [19]

[11] Patent Number: **Des. 431,125**

**Watson**

[45] Date of Patent: **\*\* Sep. 26, 2000**

[54] **SOFA**

[75] Inventor: **Ronald N. Watson**, Fort Smith, Ark.

[73] Assignee: **Robinson & Robinson**, Chula Vista, Calif.

[\*\*] Term: **14 Years**

[21] Appl. No.: **29/113,149**

[22] Filed: **Oct. 29, 1999**

[51] **LOC (7) Cl.** ..... **06-01**

[52] **U.S. Cl.** ..... **D6/381**

[58] **Field of Search** ..... D6/334, 335, 358,  
D6/364, 371, 373, 381, 500, 501, 502;  
5/12.1; 297/232

[56] **References Cited**

**U.S. PATENT DOCUMENTS**

D. 114,416	4/1939	Stoll	.....	D6/381
D. 228,164	8/1973	Long	.	
D. 229,993	1/1974	Korch	.	
D. 231,758	6/1974	Rosselli	.	
D. 237,027	10/1975	Bernard	.	
D. 238,914	2/1976	Zapf	.	
D. 240,479	7/1976	Halme	.	
D. 243,896	4/1977	Zapf	.	
D. 244,814	6/1977	Schoblom	.	
D. 245,888	9/1977	Bellini	.	
D. 247,797	5/1978	Beall, Jr.	.	
D. 251,519	4/1979	Radaelli	.	
D. 251,762	5/1979	Prevost	.	
D. 255,514	6/1980	Williams	.	
D. 256,743	9/1980	Beall, Jr.	.	
D. 257,708	12/1980	Cassina	.	
D. 257,920	1/1981	Roset	.	
D. 258,101	2/1981	Caldwell	.	
D. 260,333	8/1981	Culler	.	

(List continued on next page.)

**OTHER PUBLICATIONS**

Ref. A—LeatherTrend Catalog Product Sheet showing Model 5100, published prior to Oct. 8, 1997.

Ref. B—LeatherTrend Catalog Product Sheet showing Model 1100, published prior to Oct. 8, 1997.

Ref. C—LeatherTrend Catalog Product Sheet showing Model 9200, published prior to Oct. 8, 1997.

Ref. D—LeatherTrend Catalog Product Sheet showing Model 7300, published prior to Oct. 8, 1997.

Ref. E—LeatherTrend Catalog Product Sheet showing Model 7202, published prior to Oct. 8, 1997.

Ref. F—LeatherTrend Catalog Product Sheet showing Model 7000, published prior to Oct. 8, 1997.

Ref. G—LeatherTrend Catalog Product Sheet showing Model 6800, published prior to Oct. 8, 1997.

Ref. H—LeatherTrend Catalog Product Sheet Showing Model 6200, published prior to Oct. 8, 1997.

Ref. I—LeatherTrend Catalog Product Sheet showing Model 6001, published prior to Oct. 8, 1997.

Ref. J—LeatherTrend Catalog Product Sheet showing Model 5301, published prior to Oct. 8, 1997.

Ref. K—LeatherTrend Catalog Product Sheet showing Model 4700, published prior to Oct. 8, 1997.

Ref. L—LeatherTrend Catalog Product Sheet showing Model 4100, published prior to Oct. 8, 1997.

Ref. M—LeatherTrend Catalog Product Sheet showing Model 4000, published prior to Oct. 8, 1997.

Ref. N—LeatherTrend Catalog Product Sheet showing Model 3500, published prior to Oct. 8, 1997.

Ref. O—LeatherTrend Catalog Product Sheet showing Model 4600, undated.

*Primary Examiner*—Gary D. Watson

*Attorney, Agent, or Firm*—Brown, Martin, Haller & McClain

[57] **CLAIM**

The ornamental design for a sofa, as shown.

**DESCRIPTION**

FIG. 1 is a perspective view of a sofa, showing my new design;

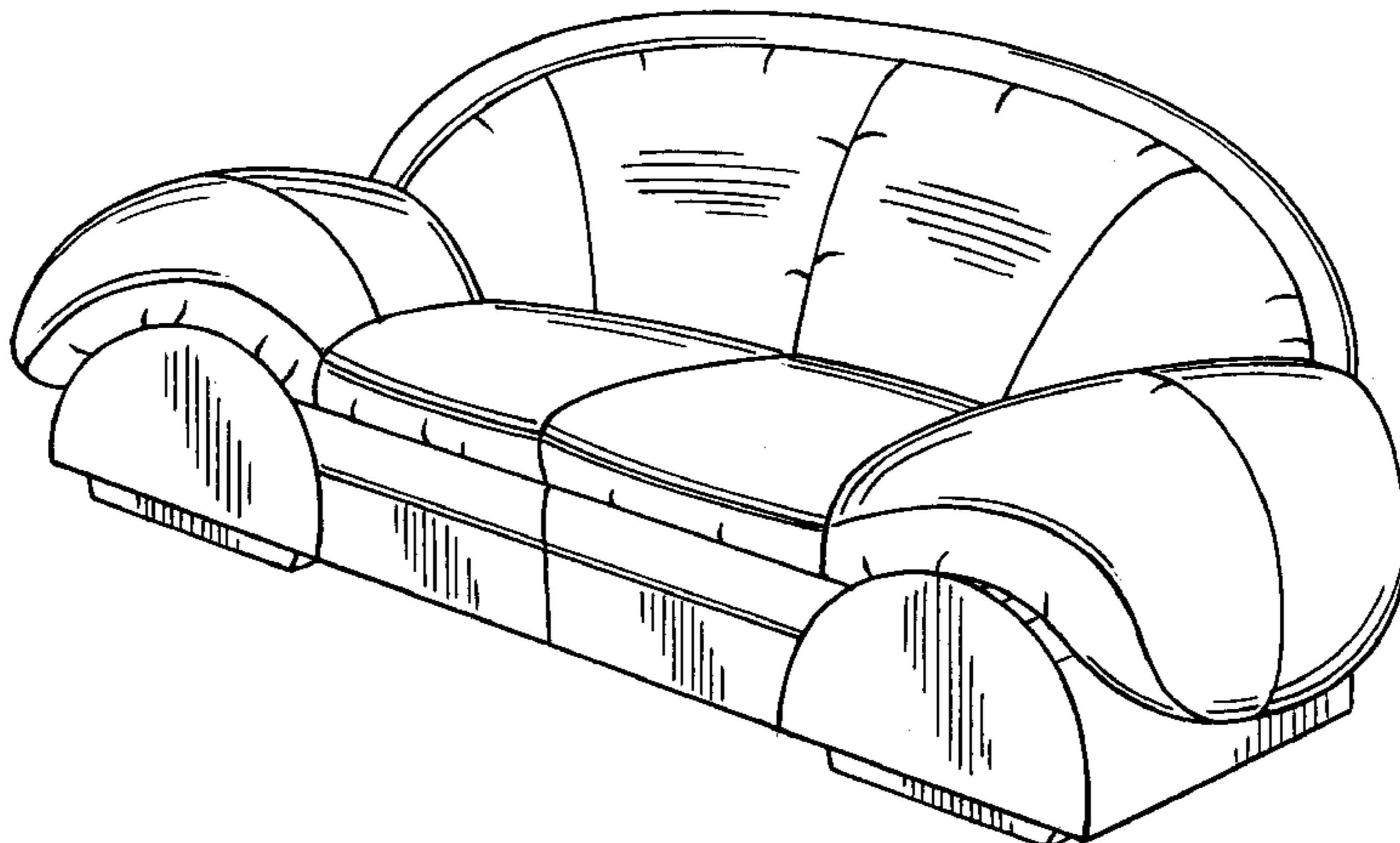
FIG. 2 is a front view thereof;

FIG. 3 is a right side elevational view thereof;

FIG. 4 is a left side elevational view thereof; and,

FIG. 5 is a rear view thereof.

**1 Claim, 2 Drawing Sheets**



U.S. PATENT DOCUMENTS

D. 264,649	6/1982	Saporiti .	D. 352,608	11/1994	Natuzzi et al. .
D. 269,568	7/1983	Nelson .	D. 352,610	11/1994	Natuzzi et al. .
D. 270,405	9/1983	Radaelli .	D. 353,062	12/1994	Natuzzi et al. .
D. 274,485	7/1984	Huffstetler .	D. 360,317	7/1995	Natuzzi et al. .
D. 276,959	1/1985	Roset .	D. 360,774	8/1995	Natuzzi et al. .
D. 277,244	1/1985	Giudici .	D. 360,997	8/1995	Hutton .
D. 278,579	4/1985	Milles .	D. 361,212	8/1995	Gibson .
D. 280,956	10/1985	Offredi .	D. 363,614	10/1995	Natuzzi et al. .
D. 282,888	3/1986	Williams .	D. 367,187	2/1996	Natuzzi et al. .
D. 283,274	4/1986	Culler .	D. 368,600	4/1996	Riboldi .
D. 283,275	4/1986	Culler .	D. 369,478	5/1996	Riboldi .
D. 289,713	5/1987	Bick et al. .	D. 369,479	5/1996	Natuzzi et al. .
D. 307,983	5/1990	Choi .	D. 373,485	9/1996	Natuzzi et al. .
D. 325,476	4/1992	Wilson, Jr. et al. .	D. 385,121	10/1997	Natuzzi et al. .
D. 326,022	5/1992	Gera ..... D6/381	D. 386,623	11/1997	Natuzzi et al. .
D. 327,986	7/1992	Gera .	D. 388,631	1/1998	Natuzzi et al. .
D. 332,879	2/1993	Gera .	D. 388,971	1/1998	Natuzzi et al. .
D. 337,692	7/1993	Natuzzi et al. .	D. 393,377	4/1998	Nicoletti ..... D6/381
D. 344,861	3/1994	Natuzzi et al. .	D. 393,759	4/1998	Natuzzi et al. .
D. 347,335	5/1994	Goldberg .	D. 414,046	9/1999	Kort ..... D6/381
D. 349,613	8/1994	Greene .	5,104,182	4/1992	Rasnick et al. .
D. 350,034	8/1994	Natuzzi et al. .	5,326,153	7/1994	Muffi .
D. 351,954	11/1994	Gera .	5,335,962	8/1994	Gera .

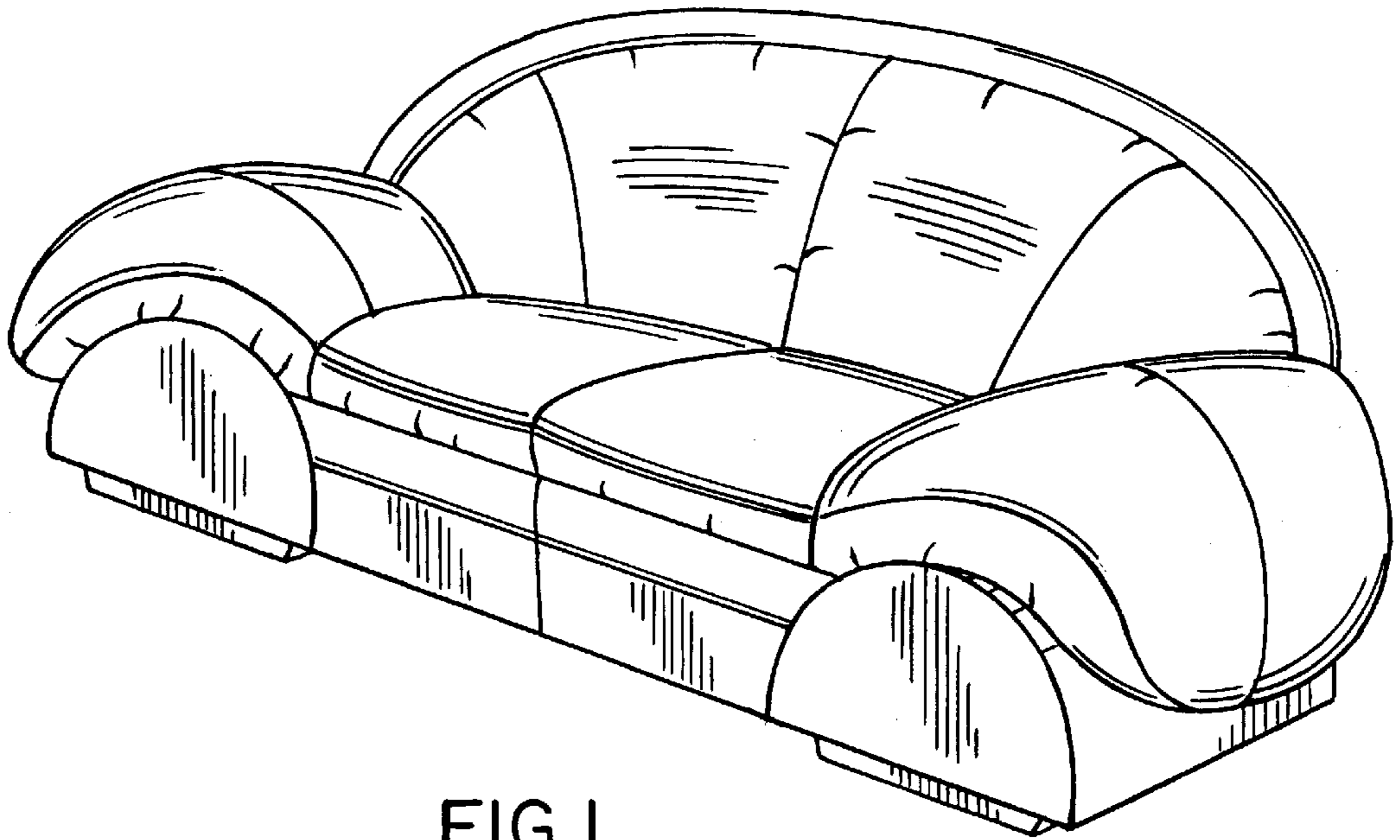


FIG. 1

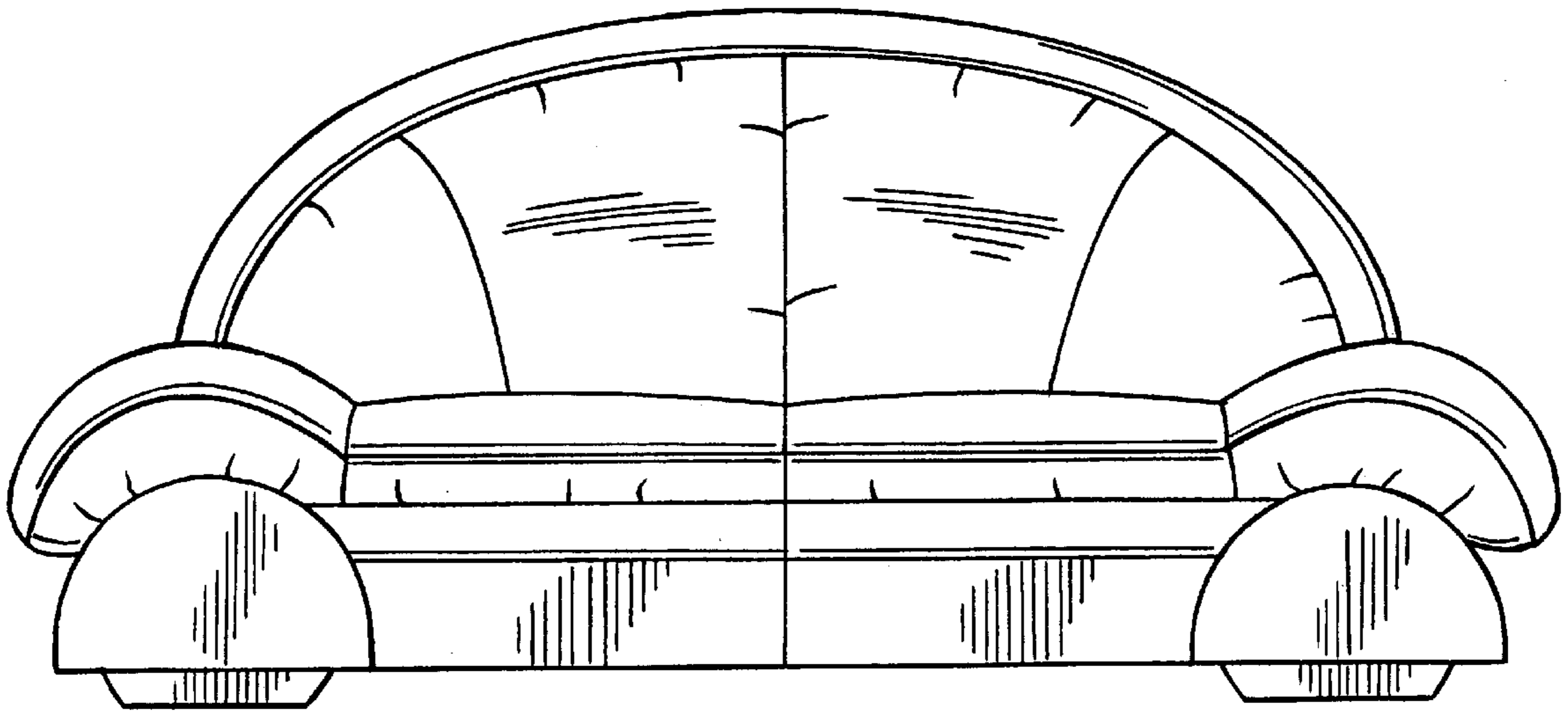


FIG. 2

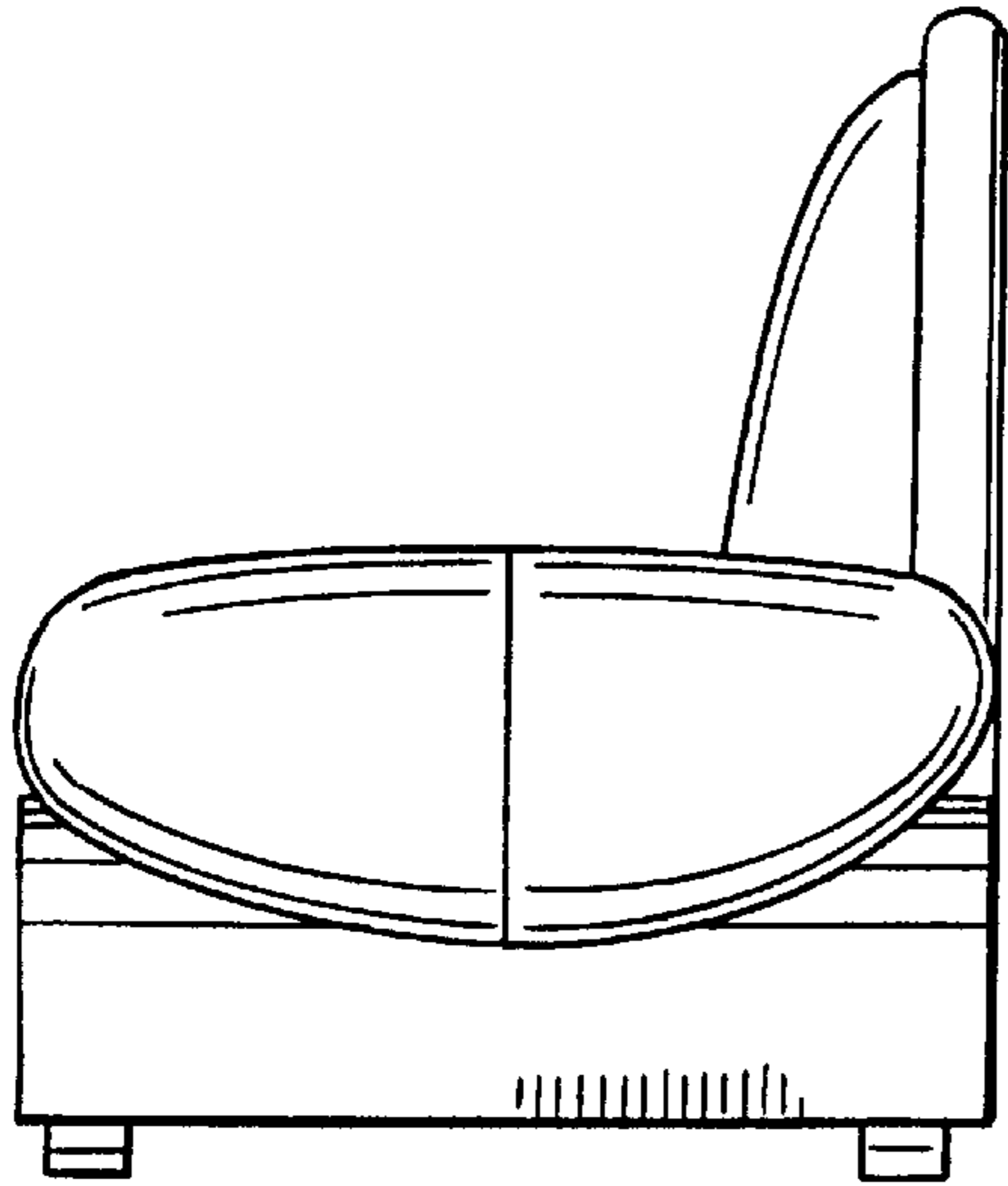


FIG. 3

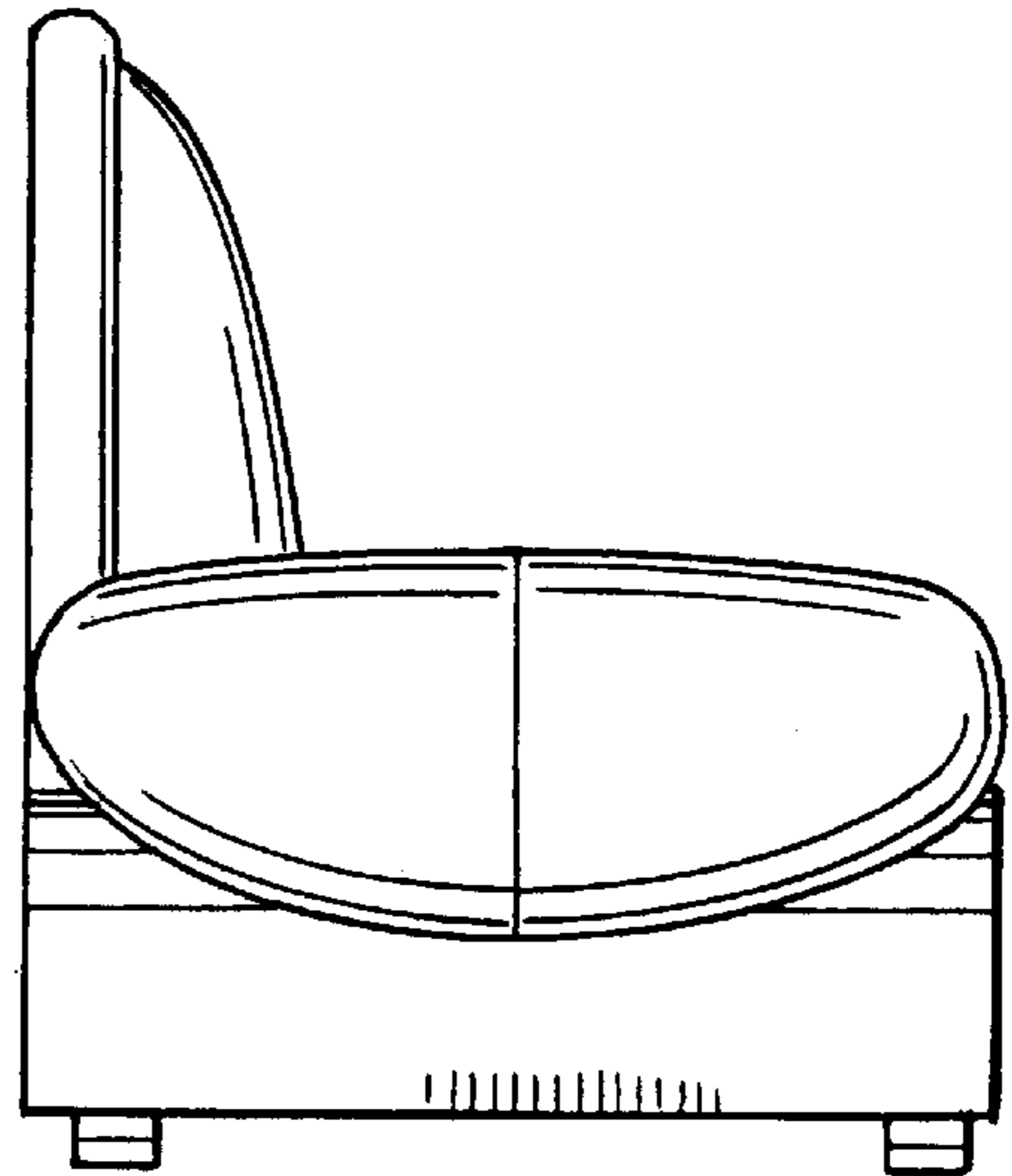


FIG. 4

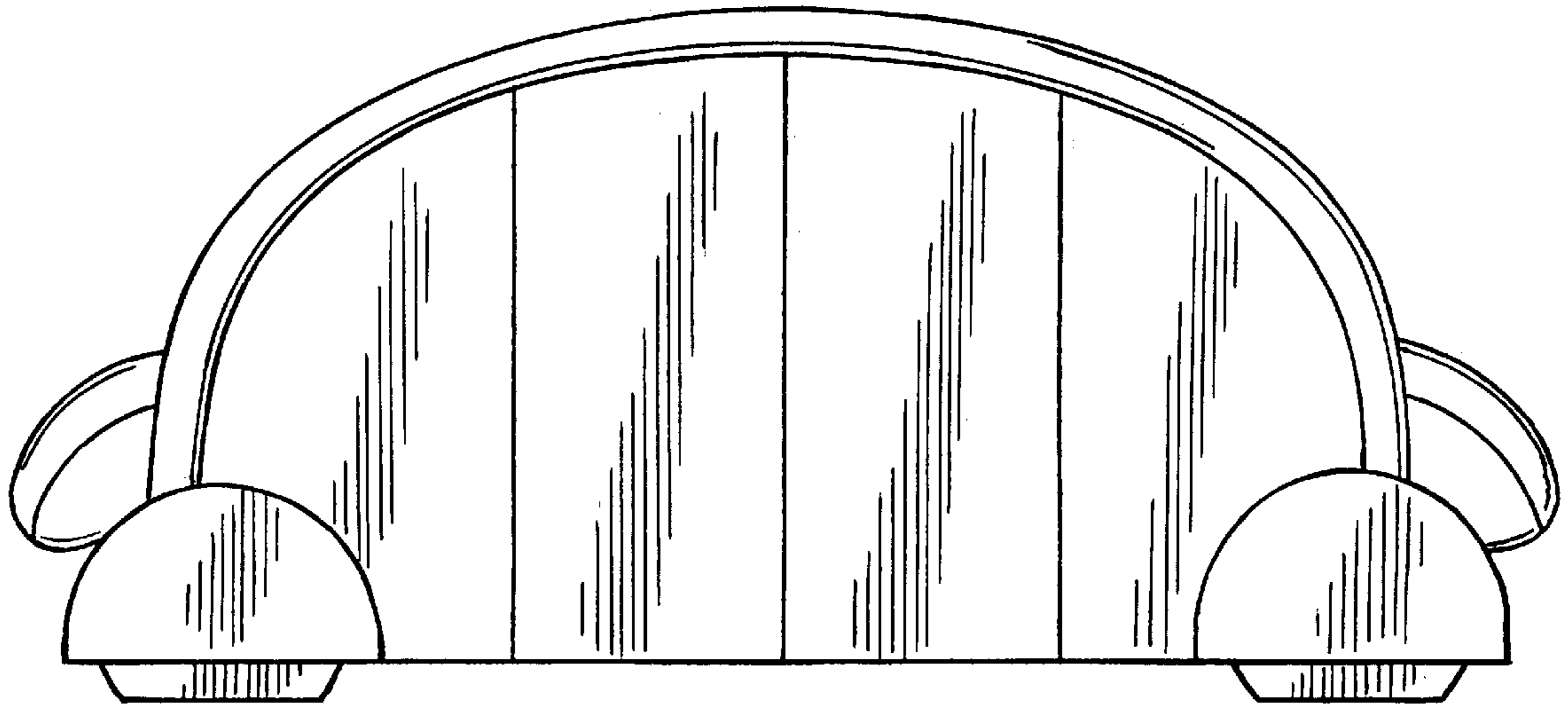


FIG. 5