



US00D431116S

# United States Patent [19]

[11] Patent Number: Des. 431,116

Gibson et al.

[45] Date of Patent: \*\* Sep. 26, 2000

[54] **INFANT CAR SEAT AND CARRIER**

[75] Inventors: **William R. Gibson, Kent; Paul K. Meeker, Hiram, both of Ohio**

[73] Assignee: **Evenflo Company, Inc., Vandalia, Ohio**

[\*\*] Term: **14 Years**

[21] Appl. No.: **29/095,106**

[22] Filed: **Oct. 16, 1998**

[51] **LOC (7) Cl.** ..... **06-01**

[52] **U.S. Cl.** ..... **D6/333**

[58] **Field of Search** ..... D6/333, 334, 335, D6/336, 390, 391, 356, 500, 501, 502; 297/183.1, 183.2, 250.1, 256.16, 183

[56] **References Cited**

**U.S. PATENT DOCUMENTS**

- D. 289,465 4/1987 Wise .
- D. 294,310 2/1988 Wise et al. .
- D. 294,777 3/1988 Wise et al. .
- D. 311,822 11/1990 Meeker .
- D. 353,288 12/1994 Kain .
- D. 369,707 5/1996 Kain .
- D. 378,908 4/1997 Courtney et al. .
- 4,634,177 1/1987 Meeker .
- 4,943,113 7/1990 Meeker .
- 5,092,004 3/1992 Cone et al. .

- 5,104,134 4/1992 Cone .
- 5,133,567 7/1992 Owens .
- 5,277,472 1/1994 Freese et al. .
- 5,324,094 6/1994 Kain .
- 5,385,387 1/1995 Kain .
- 5,409,292 4/1995 Kain et al. .
- 5,516,190 5/1996 Kain et al. .
- 5,651,581 7/1997 Myers et al. .... 297/183.1
- 5,658,044 8/1997 Krevh ..... 297/183
- 5,676,386 10/1997 Huang .
- 5,727,798 3/1998 Walters et al. .
- 5,765,893 6/1998 Ziegler ..... 297/250.1

*Primary Examiner*—Doris V. Coles  
*Assistant Examiner*—Mimosa De  
*Attorney, Agent, or Firm*—Thompson Hine & Flory LLP

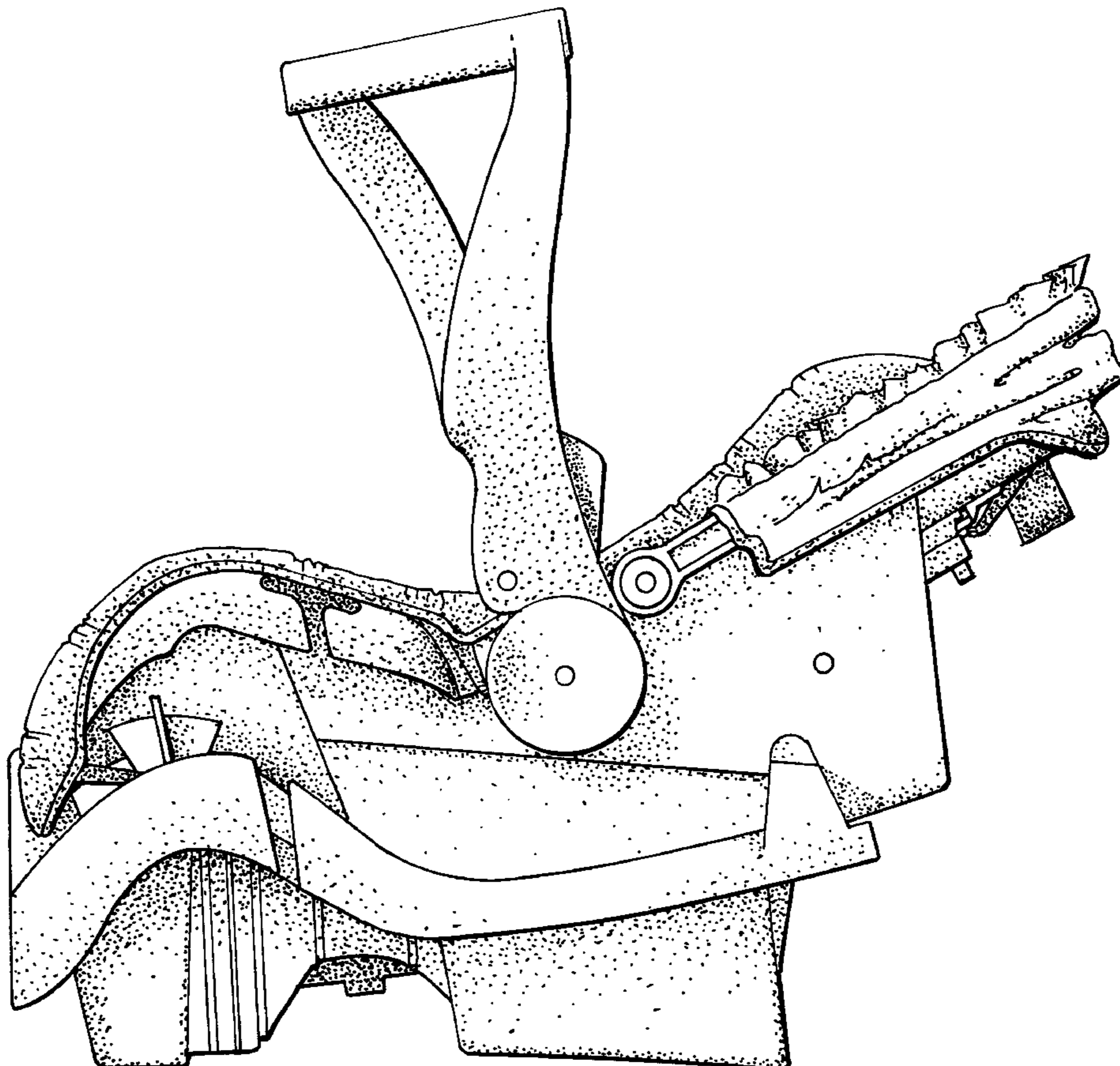
[57] **CLAIM**

The ornamental design for infant car seat and carrier, as shown and described.

**DESCRIPTION**

FIG. 1 is a left side elevational view of the infant car seat and carrier showing the design of our invention; FIG. 2 is a right side elevational view thereof; FIG. 3 is a front elevational view thereof; FIG. 4 is a rear elevational view thereof; FIG. 5 is a top elevational view thereof; and, FIG. 6 is a bottom elevational view thereof.

**1 Claim, 4 Drawing Sheets**



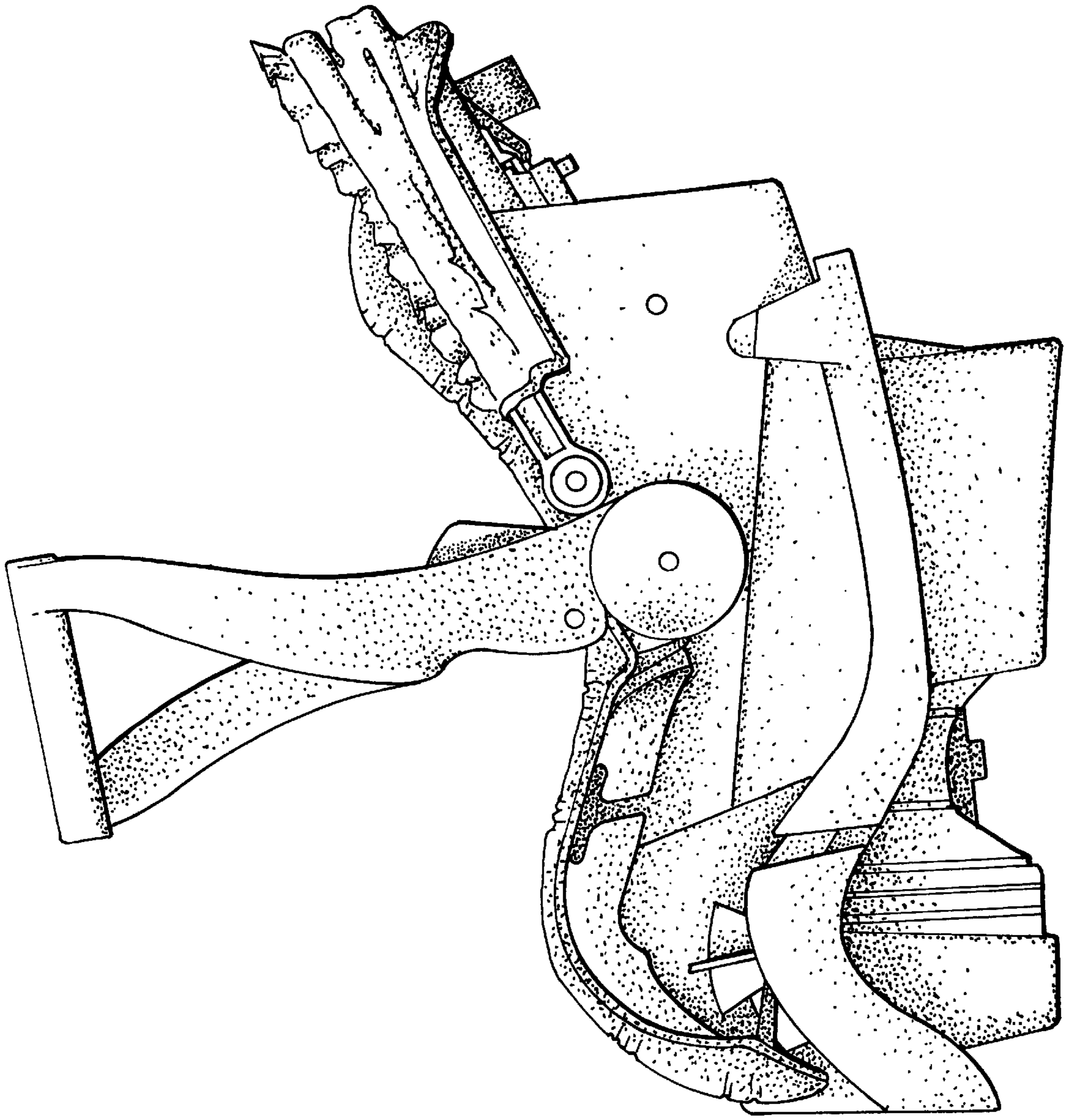


FIG. 1

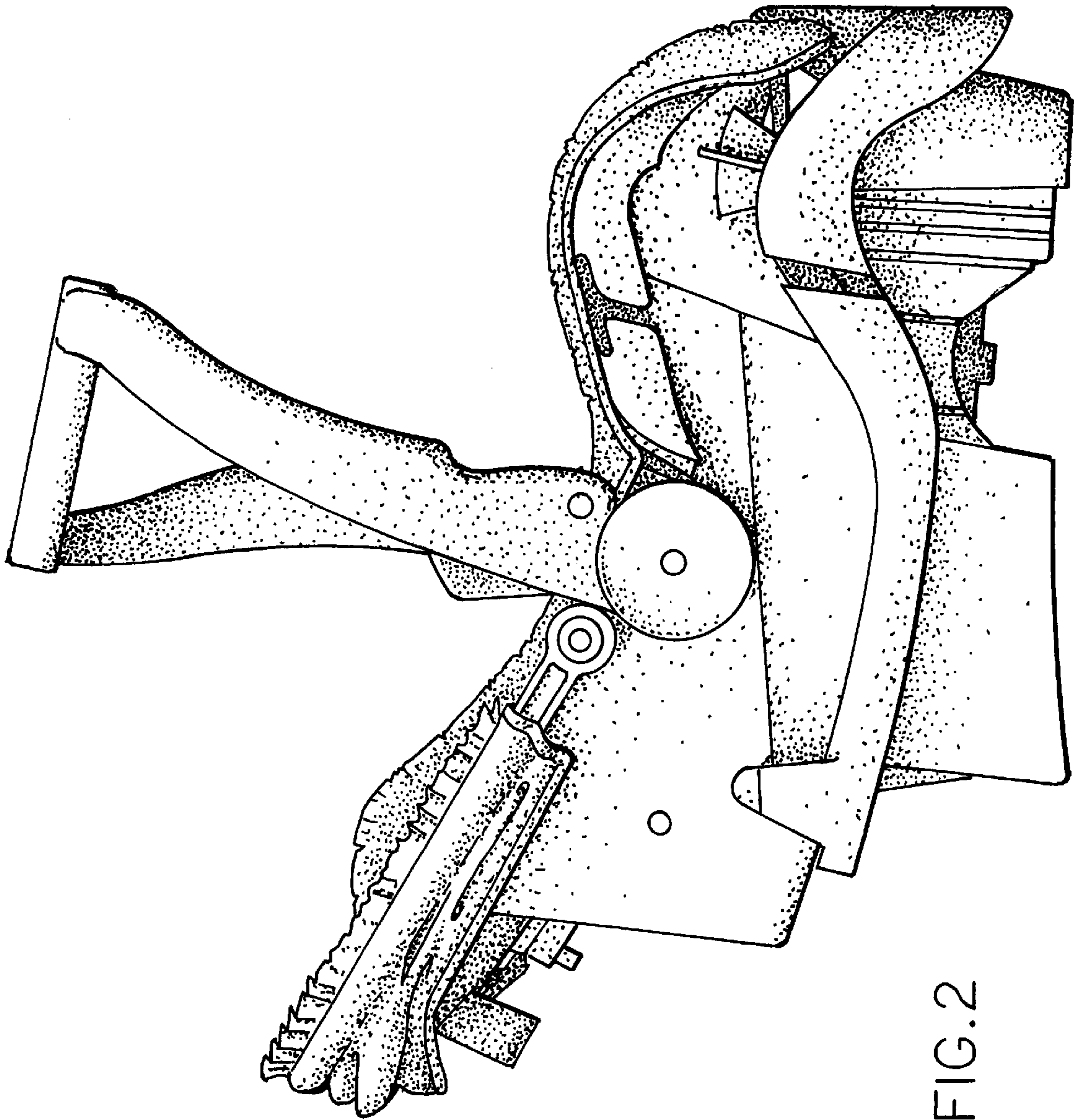


FIG. 2

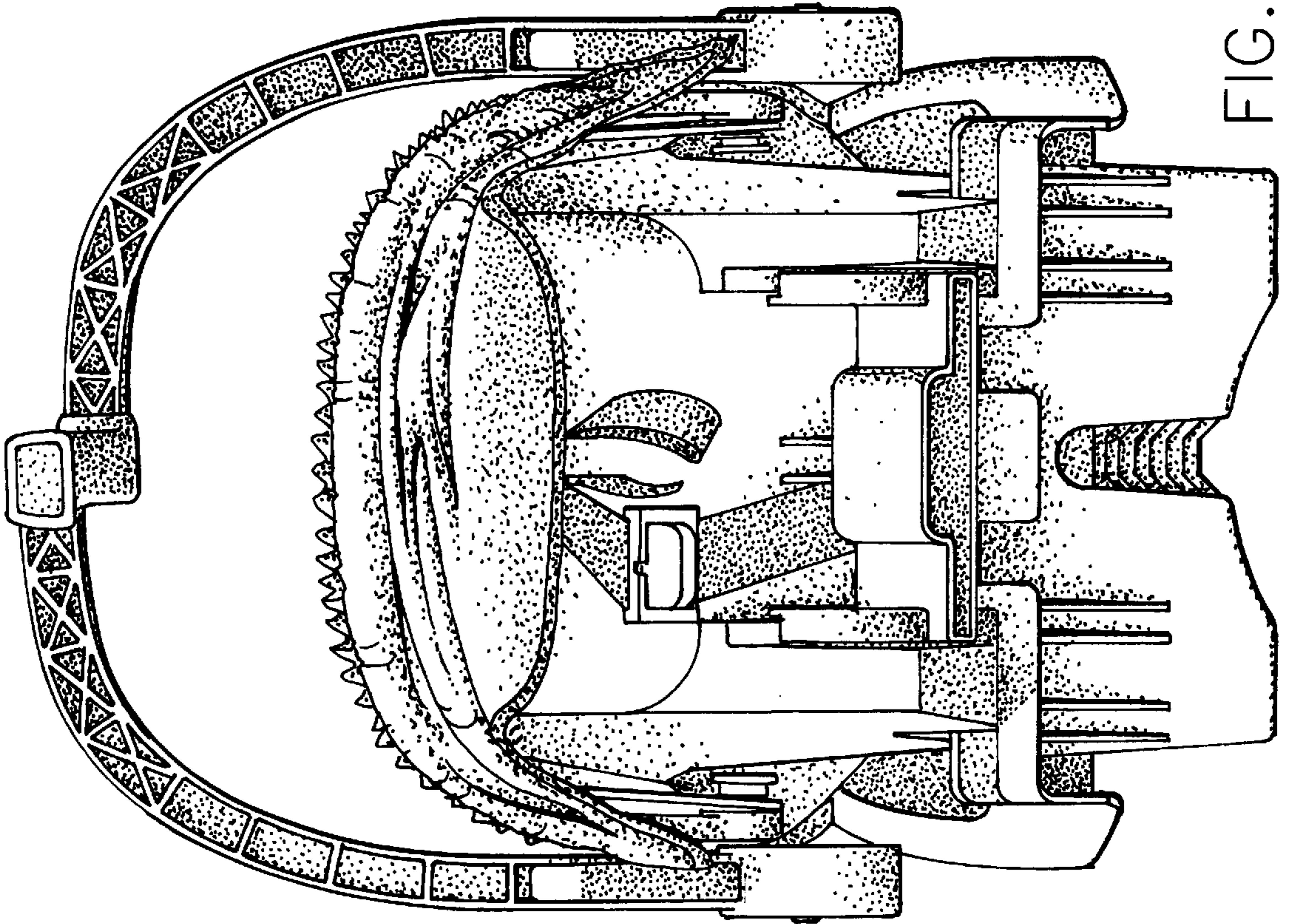


FIG. 4

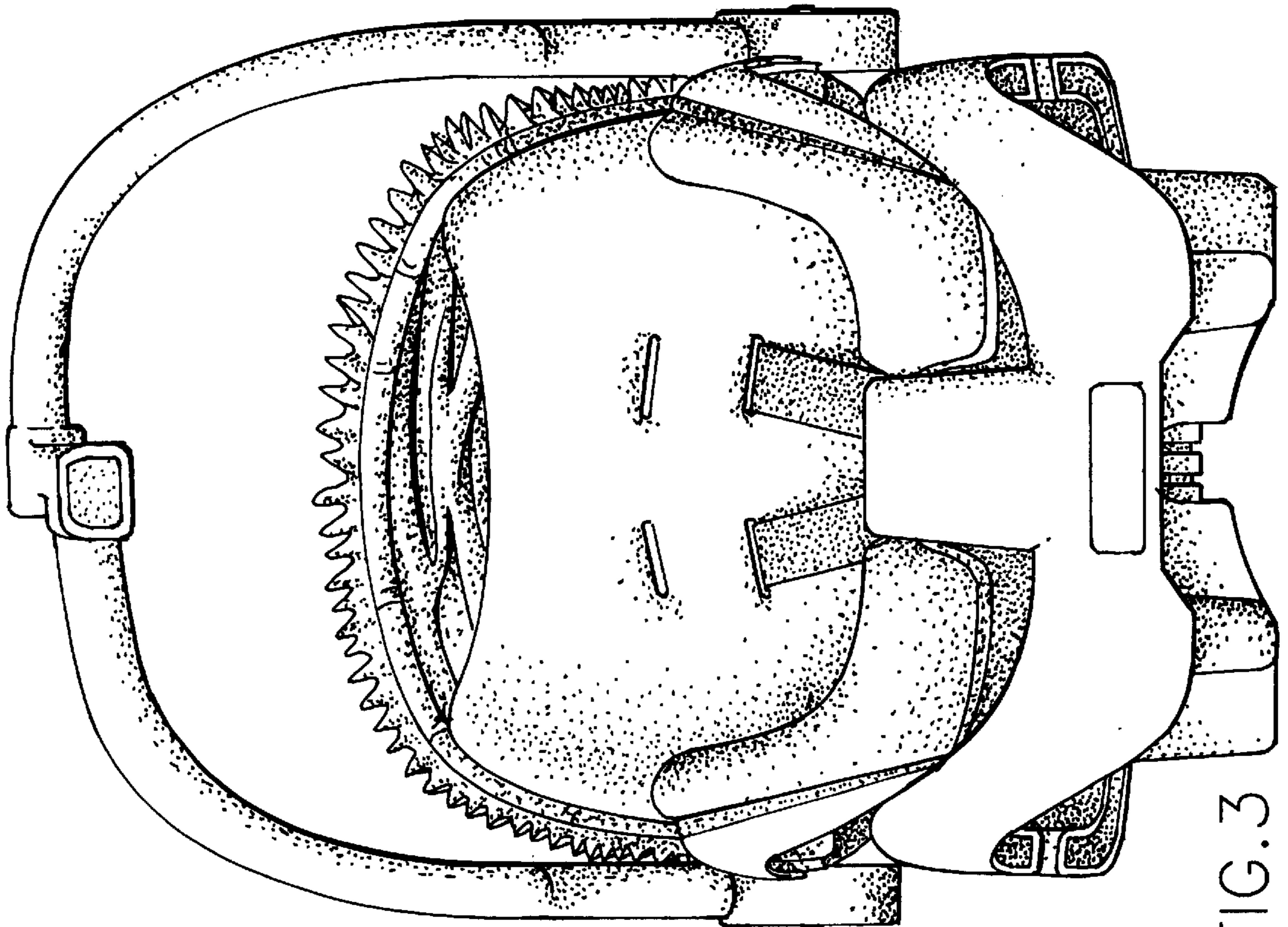


FIG. 3

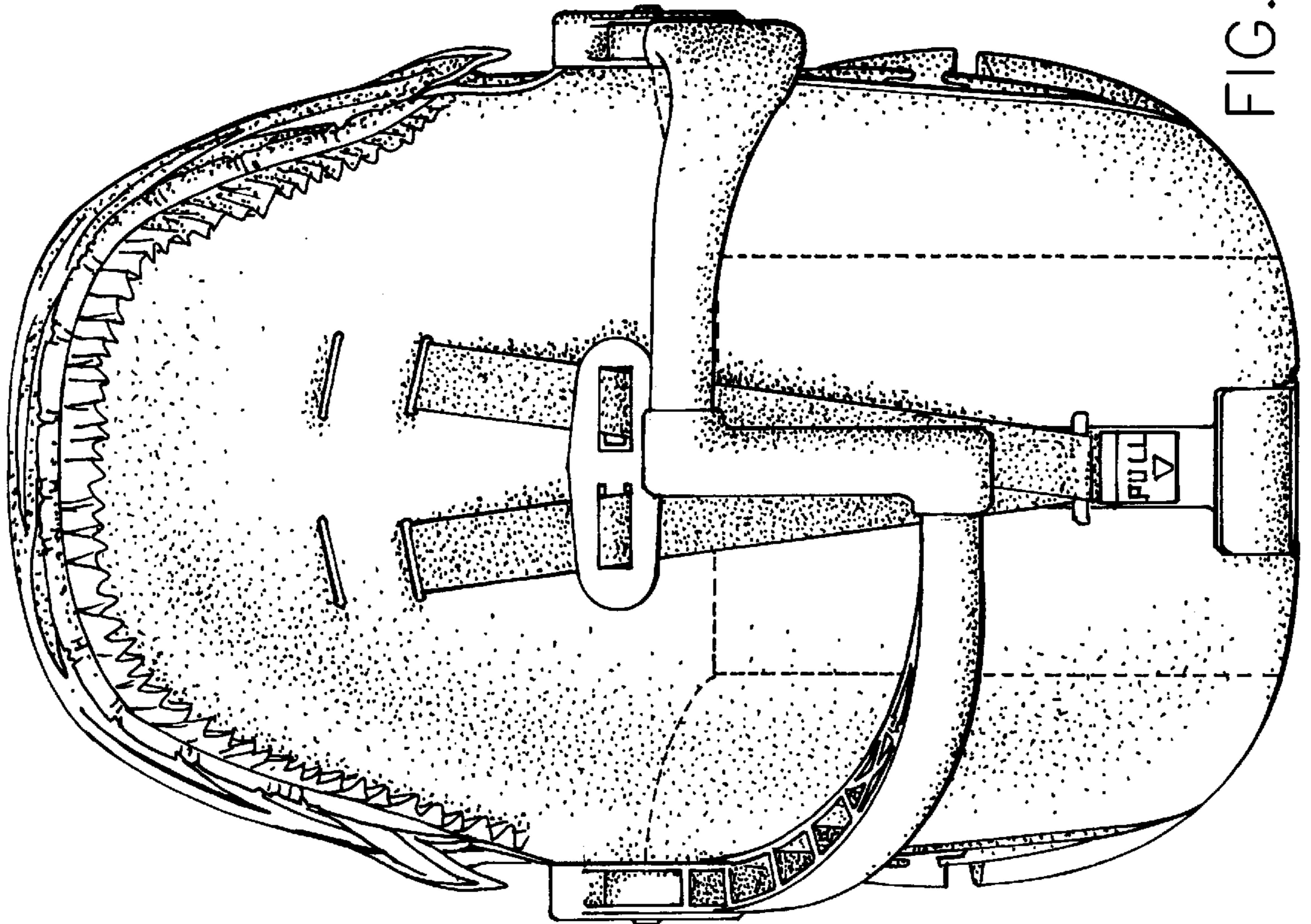


FIG. 6

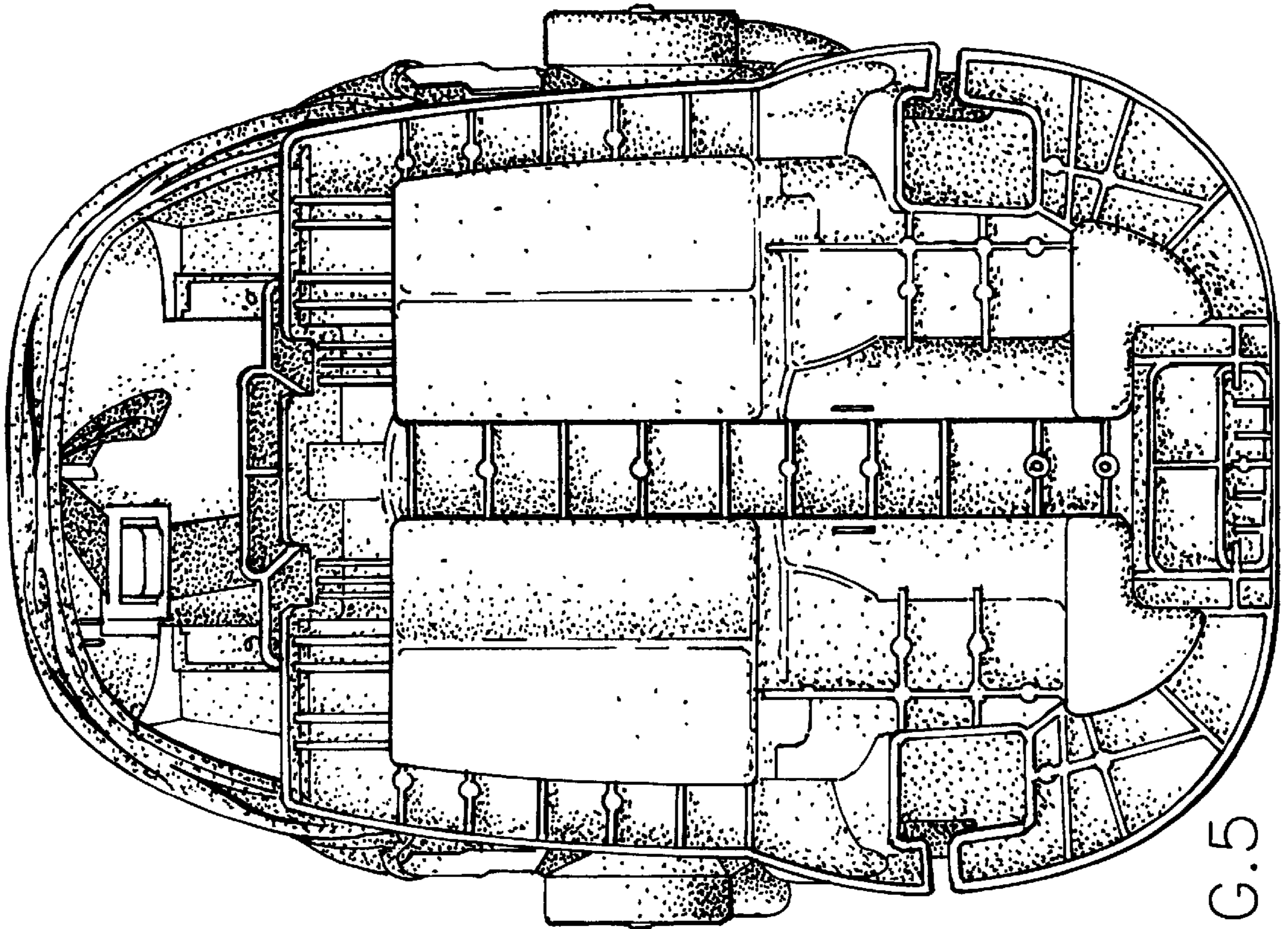


FIG. 5